



US00D899783S

(12) **United States Design Patent** (10) **Patent No.:** **US D899,783 S**
Jack et al. (45) **Date of Patent:** **** Oct. 27, 2020**

(54) **SCRUB BRUSH**

OTHER PUBLICATIONS

- (71) Applicant: **Turtle Wax, Inc.**, Addison, IL (US)
- (72) Inventors: **Robert C. Jack**, Arlington Heights, IL (US); **Gary Cosentino**, Addison, IL (US); **Michael A. Schultz**, Homer Glen, IL (US)
- (73) Assignee: **Turtle Wax, Inc.**, Addison, IL (US)
- (**) Term: **15 Years**
- (21) Appl. No.: **29/683,868**
- (22) Filed: **Mar. 15, 2019**

Claimed Design—"Turtle Wax T-244R1 Power Out! Carpet Cleaner and Odor Eliminator 18 oz by Turtle Wax," [on-line]; [internet "date first available" of the product Apr. 17, 2012]; [retrieved on Sep. 26, 2018]; URL: <https://www.amazon.co.uk/Turtle-Wax-T-244R1-Cleaner-Eliminator/dp/B003WJCX92>. (Year 2012) (5pages).

(Continued)

Primary Examiner — Karen S Acker

Assistant Examiner — Jasmine Mlinarcik

(74) *Attorney, Agent, or Firm* — Neal, Gerber & Eisenberg LLP; Thomas E. Williams

(57) **CLAIM**

The ornamental design for a scrub brush, as shown and described.

Related U.S. Application Data

- (63) Continuation of application No. 29/555,926, filed on Feb. 25, 2016, now Pat. No. Des. 845,001.
- (51) **LOC (12) Cl.** **04-01**
- (52) **U.S. Cl.**
USPC **D4/130**
- (58) **Field of Classification Search**
USPC D4/100, 104, 114, 116, 117, 130, 136, D4/137; D9/436, 448; D32/40, 45
(Continued)

DESCRIPTION

FIG. 1 is a rear perspective view of a scrub brush in accordance with the present disclosure;
FIG. 2 is a front view of a scrub brush in accordance with the present disclosure;
FIG. 3 is a rear view of a scrub brush in accordance with the present disclosure;
FIG. 4 is a side view of a scrub brush in accordance with the present disclosure;
FIG. 5 is a top view of a scrub brush in accordance with the present disclosure; and,
FIG. 6 is a bottom view of a scrub brush in accordance with the present disclosure.

(56) **References Cited**

U.S. PATENT DOCUMENTS

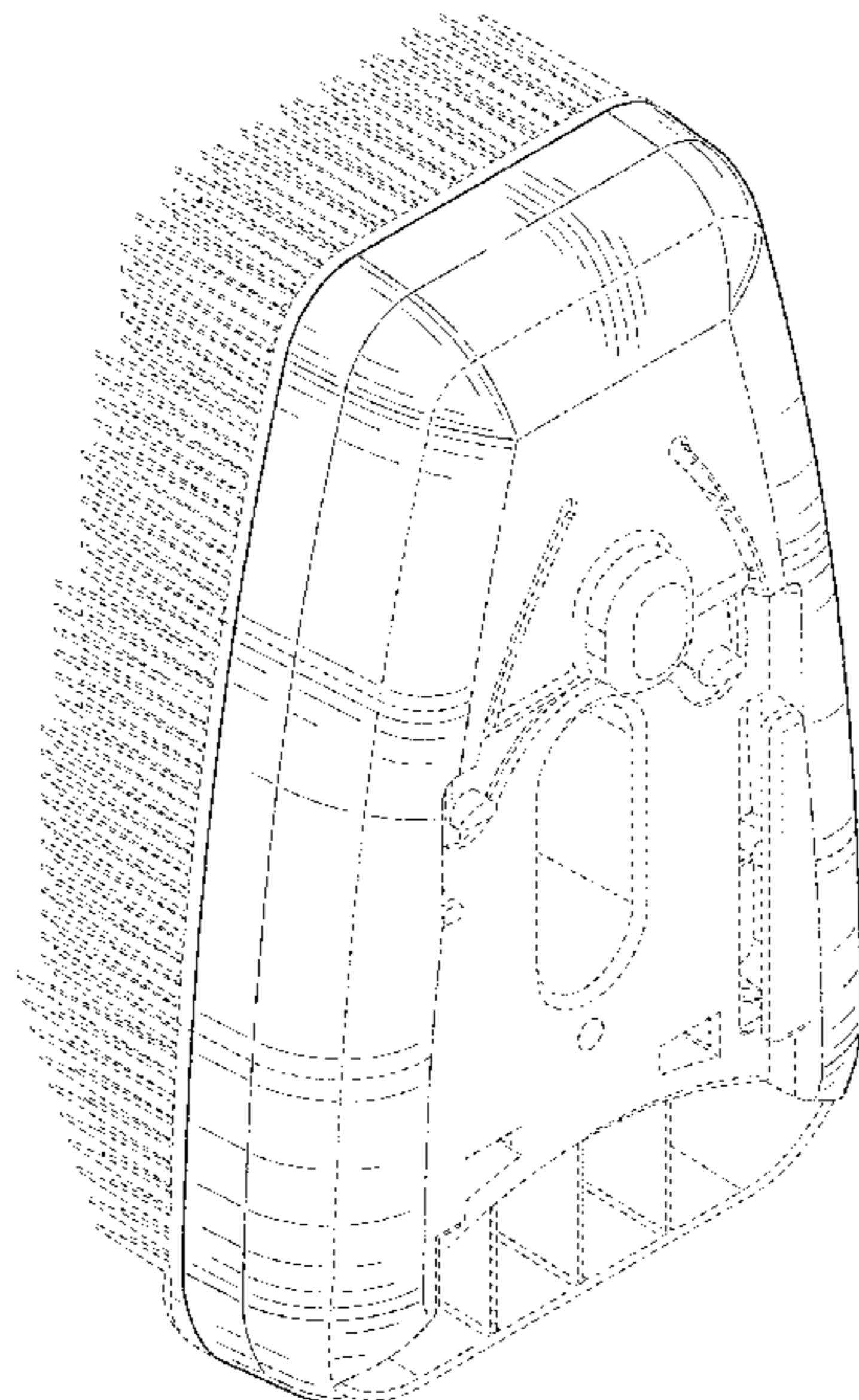
- 2,281,367 A 4/1942 Moll
 - 2,764,773 A 10/1956 Glanvill et al.
- (Continued)

The dot dash broken lines immediately adjacent to the shaded areas depict the boundaries of the claim and form no part thereof. The evenly spaced broken line within the shaded area of the claim depicts a feature of the scrub brush that is not included in the claim. All other evenly spaced broken lines and areas within them depict environmental subject matter that forms no part of the claimed design.

FOREIGN PATENT DOCUMENTS

- CN 2144432 Y 10/1993
 - CN 1635843 A 7/2005
- (Continued)

1 Claim, 5 Drawing Sheets



- (58) **Field of Classification Search**
 CPC .. A46B 1/00; A46B 3/005; A46B 5/00; A46B
 5/0062; A46B 5/0095; A46B 7/042; A46B
 11/0017; A46B 11/0062; A46B 11/0065;
 A46B 17/08; A46B 2200/30
 See application file for complete search history.

(56) **References Cited**
 U.S. PATENT DOCUMENTS

| | | | | |
|-----------|-----|---------|------------------------|--------|
| 2,820,234 | A | 1/1958 | Rigney | |
| 2,932,840 | A | 4/1960 | Lathrop | |
| D196,707 | S | 10/1963 | Anderson | |
| 3,137,885 | A | 6/1964 | Hulsh | |
| 3,148,401 | A | 9/1964 | Gilchrist et al. | |
| D199,959 | S | 1/1965 | Hulsh | |
| 3,184,781 | A | 5/1965 | Hoxie | |
| D208,224 | S | 8/1967 | Crowell | |
| 3,979,163 | A | 9/1976 | Beard | |
| 3,981,597 | A | 9/1976 | Cohn et al. | |
| 4,201,491 | A | 5/1980 | Kohler | |
| 4,260,110 | A | 4/1981 | Werding | |
| D260,236 | S | 8/1981 | Anderson et al. | |
| D272,235 | S | 1/1984 | Orlando | |
| 4,533,273 | A | 8/1985 | Obata et al. | |
| 4,557,619 | A | 12/1985 | DeVincentis | |
| D288,502 | S | 3/1987 | Barkley | |
| D289,109 | S | 4/1987 | Buecheler | |
| D296,763 | S | 7/1988 | Holmstadt et al. | |
| D317,832 | S | 7/1991 | Demarest | |
| D322,391 | S | 12/1991 | Morane | |
| D333,730 | S | 3/1993 | Martin | |
| 5,299,877 | A | 4/1994 | Birden | |
| D369,976 | S | 5/1996 | Koptis | |
| D376,697 | S | 12/1996 | Green et al. | |
| D385,789 | S | 11/1997 | Koptis | |
| D386,853 | S | 11/1997 | Koptis | |
| D386,854 | S | 11/1997 | Koptis | |
| D386,855 | S | 11/1997 | Koptis | |
| D388,545 | S | 12/1997 | Antonopoulos-McIvor | |
| 5,772,077 | A | 6/1998 | Tafur | |
| D398,235 | S | 9/1998 | Koptis | |
| D405,572 | S * | 2/1999 | Bouchez | D32/40 |
| D416,388 | S | 11/1999 | Koptis | |
| D418,303 | S | 1/2000 | Koptis | |
| 6,050,271 | A | 4/2000 | Spencer | |
| 6,092,952 | A | 7/2000 | Eberle | |
| D433,235 | S | 11/2000 | Koptis | |
| 6,227,740 | B1 | 5/2001 | Stear et al. | |
| 6,371,675 | B1 | 4/2002 | Hoang et al. | |
| D459,026 | S * | 6/2002 | Zigmans | D28/7 |
| 6,425,701 | B1 | 7/2002 | Jacobs | |
| D466,305 | S | 12/2002 | Seo | |
| 6,637,440 | B2 | 10/2003 | de Laforcade | |
| 7,007,338 | B2 | 3/2006 | Garabedian, Jr. et al. | |
| 7,040,830 | B2 | 5/2006 | Kliegman et al. | |
| D527,489 | S | 8/2006 | Angeletta | |
| D533,721 | S | 12/2006 | Urta | |
| D609,014 | S | 2/2010 | Hill | |
| 7,658,568 | B1 | 2/2010 | Armstrong et al. | |
| 7,682,097 | B2 | 3/2010 | Knopow et al. | |
| D640,873 | S | 7/2011 | Seehoff et al. | |
| D654,792 | S | 2/2012 | Bertelsen | |
| D657,957 | S | 4/2012 | Camp | |
| D660,005 | S | 5/2012 | Prague et al. | |
| 8,475,070 | B1 | 7/2013 | Miner et al. | |
| 8,533,894 | B2 | 9/2013 | Watanabe et al. | |
| 8,834,054 | B2 | 9/2014 | Gallardo | |

| | | | | |
|--------------|------|---------|-------------------|-----------|
| D724,285 | S * | 3/2015 | Michelson | D32/40 |
| D743,703 | S * | 11/2015 | Harrington | D4/138 |
| D750,492 | S | 3/2016 | Campbell et al. | |
| 9,307,880 | B2 | 4/2016 | Cagnina et al. | |
| D763,081 | S | 8/2016 | Cardinal et al. | |
| D766,084 | S | 9/2016 | Jiang | |
| D787,830 | S | 5/2017 | Jack et al. | |
| D787,831 | S | 5/2017 | Jack et al. | |
| D797,462 | S * | 9/2017 | Lee | D4/137 |
| 9,980,554 | B2 | 5/2018 | Chen | |
| D822,388 | S | 7/2018 | Barsoum | |
| D824,679 | S | 8/2018 | Ramos | |
| 1,007,139 | A1 | 9/2018 | Perlas et al. | |
| D838,170 | S | 1/2019 | Jack | |
| D840,172 | S * | 2/2019 | Makiuchi | D6/552 |
| D841,912 | S * | 2/2019 | Renner | D32/40 |
| D845,001 | S * | 4/2019 | Jack | D4/130 |
| 10,315,835 | B2 * | 6/2019 | Jack | B05B 1/02 |
| 2007/0127977 | A1 | 6/2007 | Aiken | |
| 2010/0266329 | A1 | 10/2010 | Feo | |
| 2015/0272308 | A1 | 10/2015 | Harrington et al. | |
| 2015/0306607 | A1 | 10/2015 | Romanov et al. | |
| 2017/0247173 | A1 | 8/2017 | Jack et al. | |

FOREIGN PATENT DOCUMENTS

| | | | |
|----|----------------|----|---------|
| CN | 200974682 | Y | 11/2007 |
| CN | 101918290 | A | 12/2010 |
| CN | 201793148 | U | 4/2011 |
| CN | 105228925 | A | 1/2016 |
| EM | 003350347-0003 | | 9/2016 |
| GB | 999593 | | 7/1965 |
| WO | 98/51587 | | 11/1998 |
| WO | 0162122 | A2 | 8/2001 |

OTHER PUBLICATIONS

English translation of Nonfinal Office Action dated Aug. 24, 2018 in Chinese Patent Application No. 201680004128.2 (12 pages).
 European Extended Search Report for European Patent Application No. 16858478.7 dated Aug. 24, 2018 (10 pages).
 How to Use Turtle Wax ICE Heavy Duty Floor Mat & Carpet Cleaner, [on-line video]; [published to the Internet by Turtle Wax on May 1, 2015]; [retrieved from the Internet on Jul. 26, 2017]; URL: <https://www.youtube.com/watch?v=t205bJOGQJ4>. (2 pages).
 International Preliminary Report on Patentability dated Aug. 28, 2018 for PCT Application No. PCT/US2016/061169 (7 pages).
 International Search Report and Written Opinion dated Jan. 17, 2017 for PCT Application No. PCT/US2016/061169 (17 pages).
 Nonfinal Office Action dated Aug. 24, 2018 in Chinese Patent Application No. 201680004128.2 (11 pages).
 Old Design—Google Image Search—“Turtle Wax T-244R1 Power Out!,” [on-line]; [Internet publication date unknown]; [retrieved on Sep. 26, 2018]; URL: see provided copy. (Year 2018) (2 pages).
 Turtle Wax Power Out Carpet & Mats Heavy Duty Cleaner, [on-line video]; [published to the Internet by Turtle Wax on Oct. 28, 2016]; [retrieved from the Internet on Jul. 26, 2017]; URL: https://www.youtube.com/watch?v=dWzT9_pz6kw. (3 pages).
 Turtle Wax T-244R1 Power Out . . . [on-line]; [item first available on Jul. 20, 2010]; [retrieved from the Internet on Jul. 26, 2017]; URL: see provided copy for URL address. (8 pages).
 US Trademark Application #75515641 (now Registered Trademark #2363103) for “Power Out,” filed on Jul. 8, 1998 by Turtle Wax Inc. First use in commerce date Dec. 1998. Retrieved on Jul. 26, 2017. (6 pages).

* cited by examiner

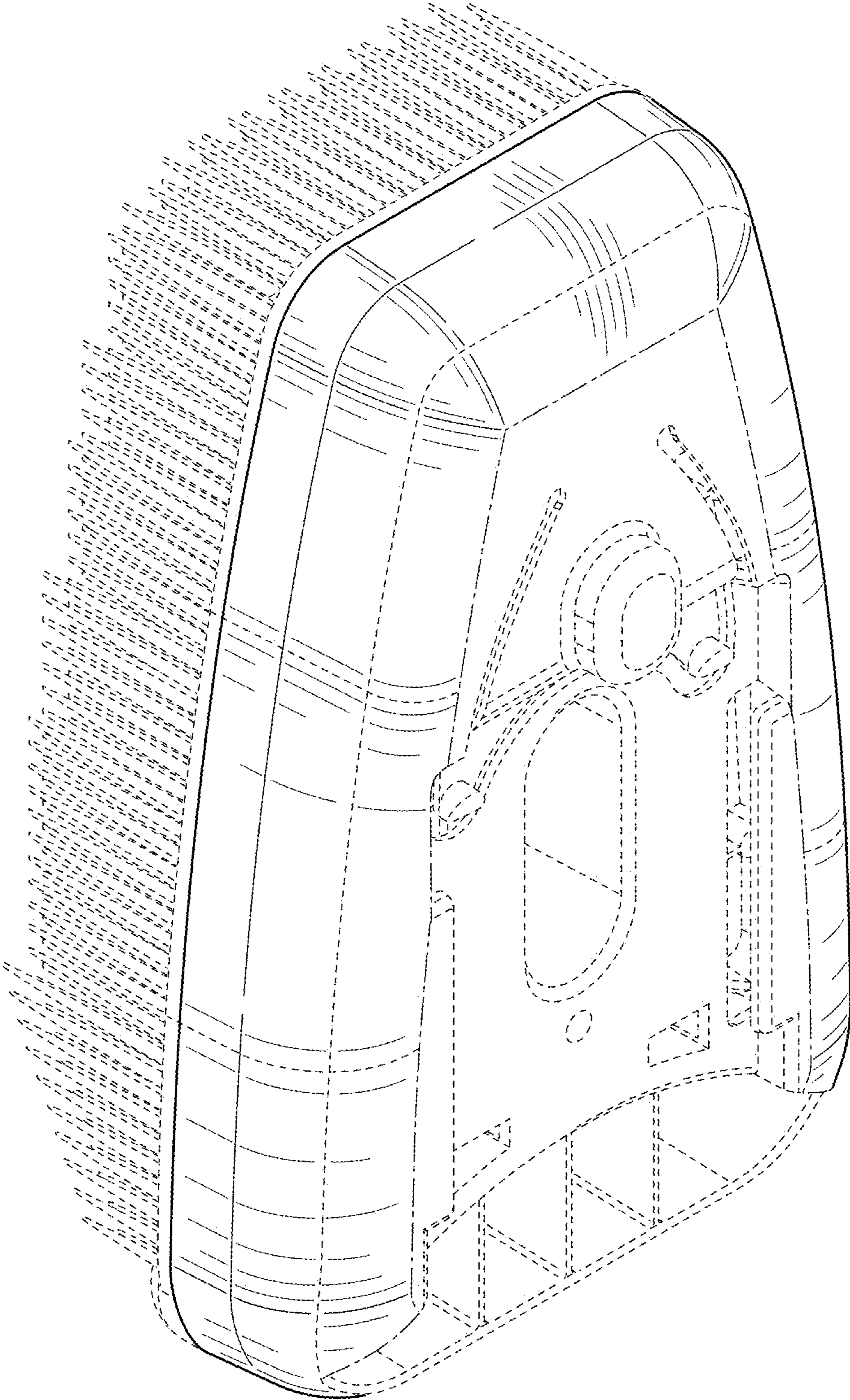


FIG. 1

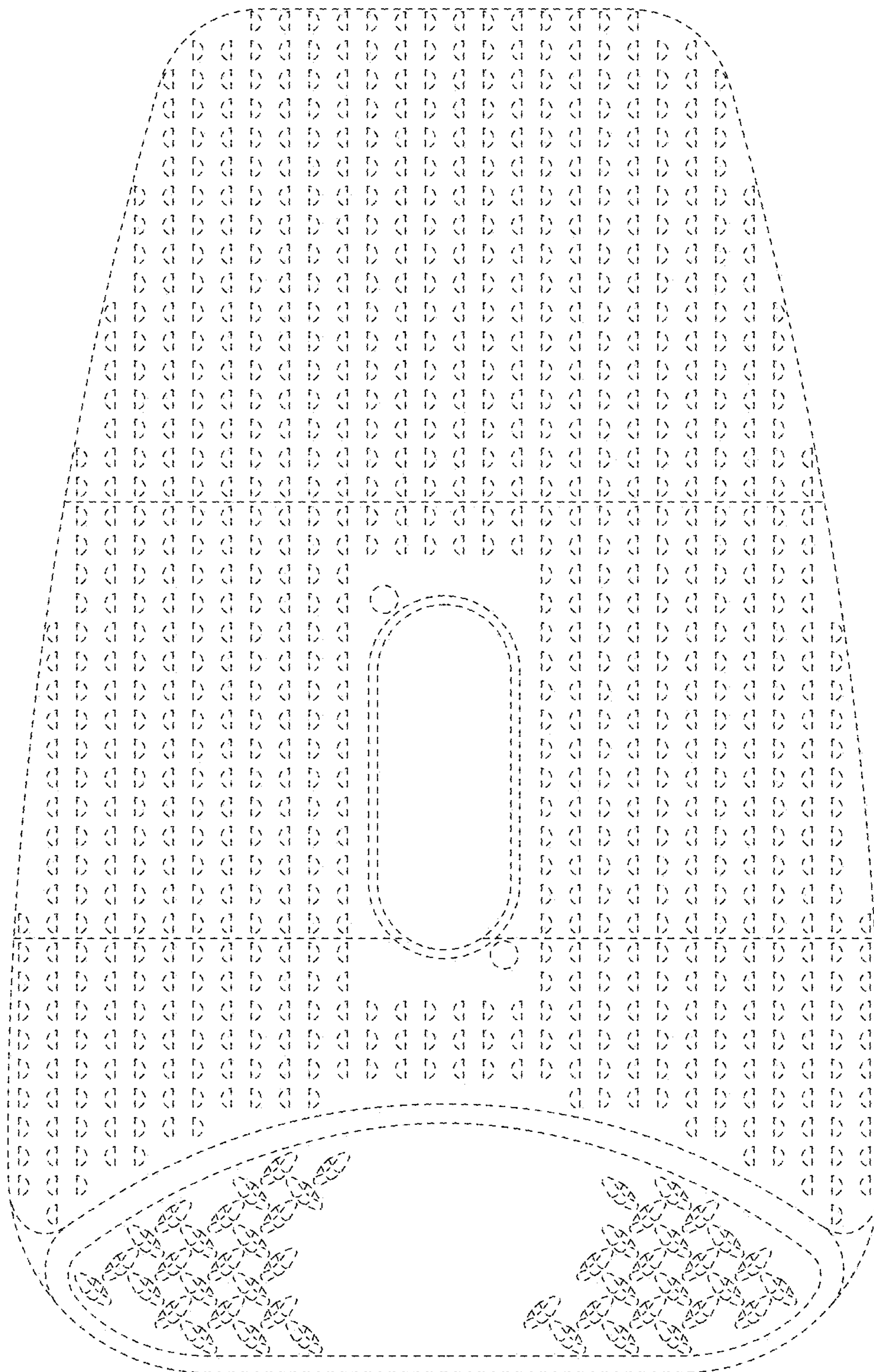


FIG. 2

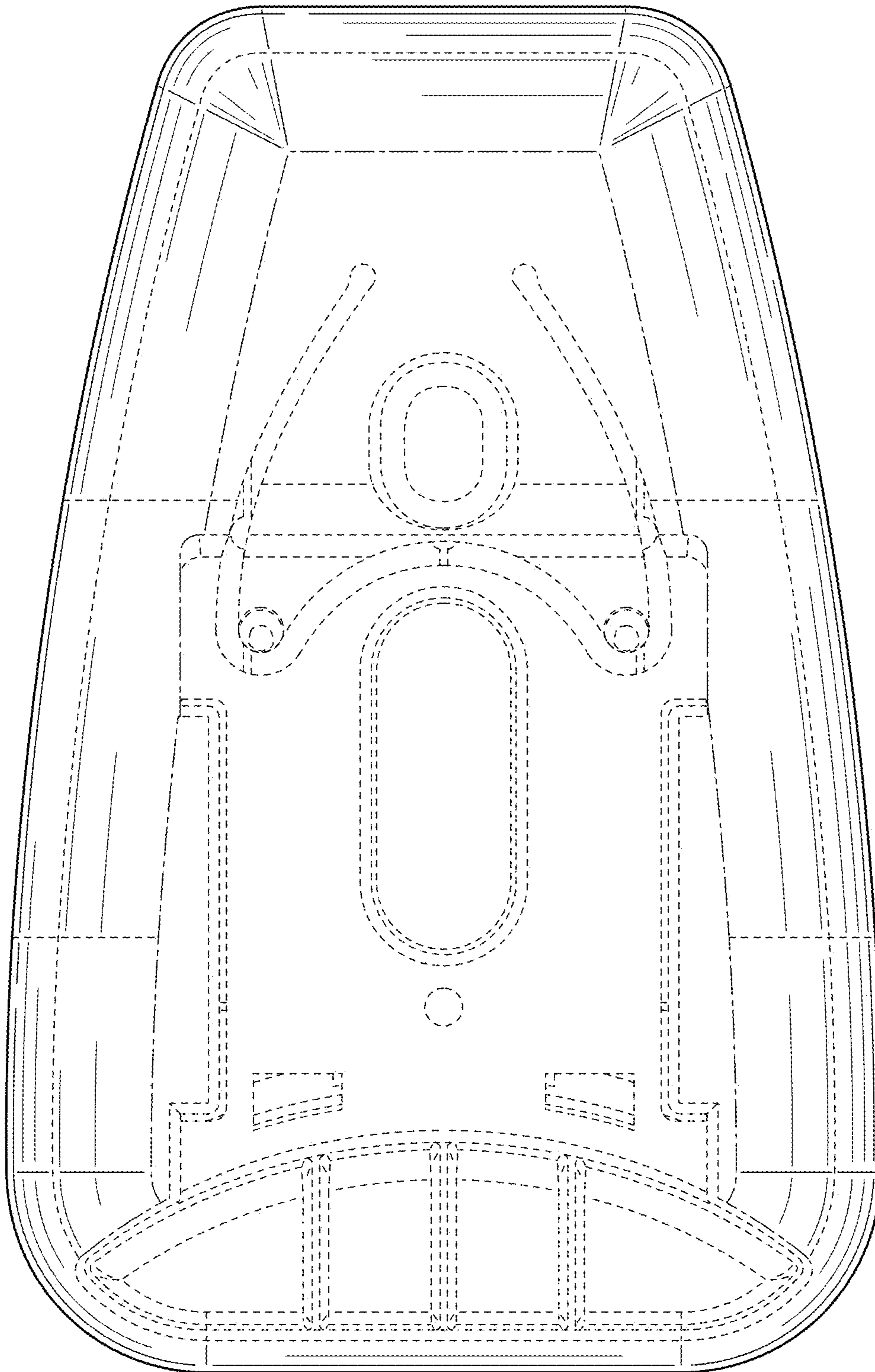


FIG. 3

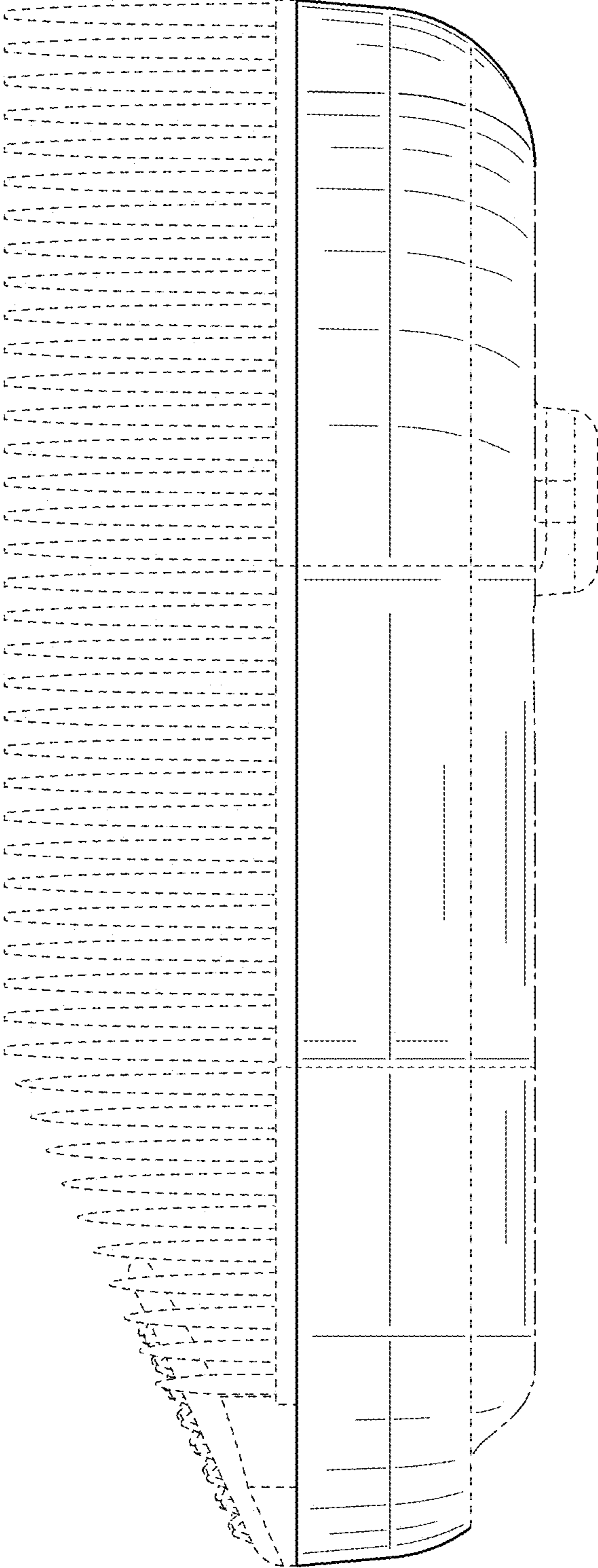


FIG. 4

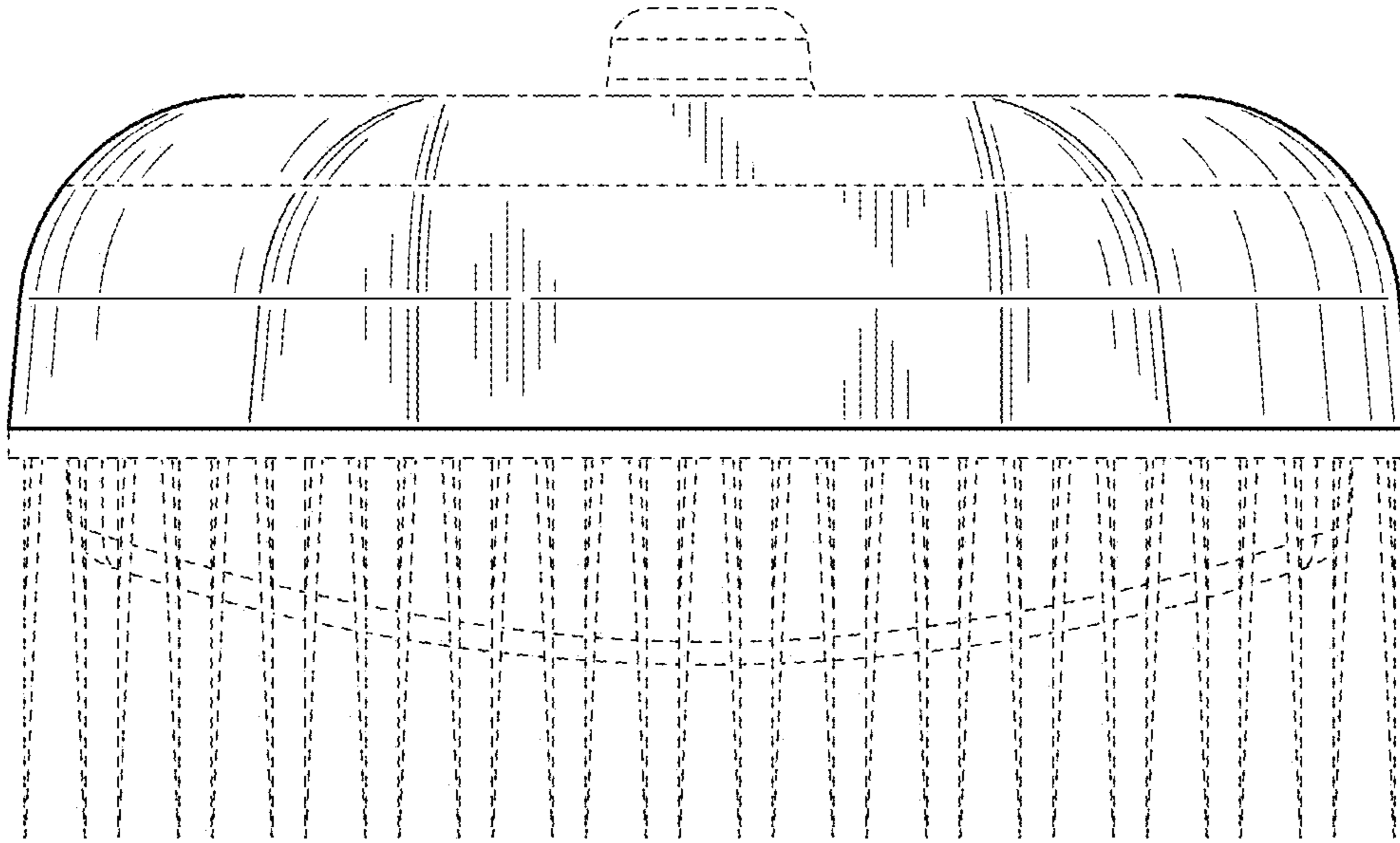


FIG. 5

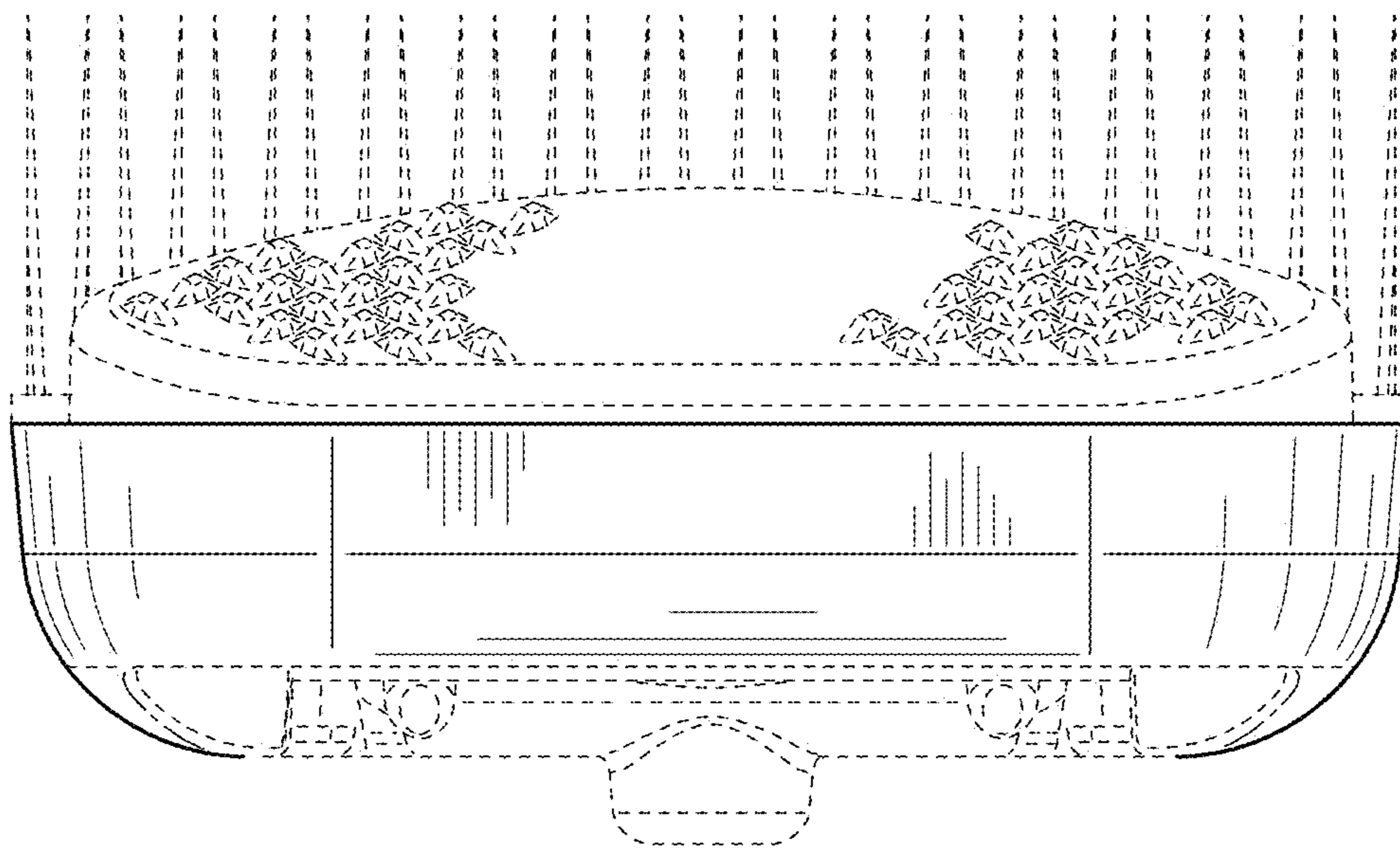


FIG. 6