



US00D899782S

(12) **United States Design Patent**
Yang

(10) **Patent No.:** **US D899,782 S**

(45) **Date of Patent:** **** Oct. 27, 2020**

(54) **BEARD STRAIGHTENING BRUSH**

FOREIGN PATENT DOCUMENTS

(71) Applicant: **Xiangliang Yang**, Dongguan (CN)

CN 305546961 * 1/2020

CN 305614068 * 2/2020

(72) Inventor: **Xiangliang Yang**, Dongguan (CN)

CN 305941438 * 7/2020

(**) Term: **15 Years**

* cited by examiner

(21) Appl. No.: **29/739,241**

Primary Examiner — Karen E Eldridge Powers

(22) Filed: **Jun. 23, 2020**

(57) **CLAIM**

(51) **LOC (12) Cl.** **28-03**

The ornamental design for a beard straightening brush, as shown and described.

(52) **U.S. Cl.**

USPC **D4/100; D4/134**

(58) **Field of Classification Search**

DESCRIPTION

USPC D4/130, 132, 133, 134, 136, 138, 199,
D4/100; D28/13, 15, 35

CPC A45D 2/001; A45D 7/02; A45D 2002/003;
A46B 9/005; A46B 9/023; A46B 9/028;
A46B 9/02; A46B 15/003

See application file for complete search history.

FIG. 1 is a top, rear and right-side perspective view of a beard straightening brush showing my new design;
FIG. 2 is a bottom, front and left-side perspective view thereof;

FIG. 3 is a front elevational view thereof;

FIG. 4 is a rear elevational view thereof;

FIG. 5 is a left side elevational view thereof;

FIG. 6 is a right side elevational view thereof;

FIG. 7 is a top plan view thereof;

FIG. 8 is a bottom plan view thereof; and,

FIG. 9 is an enlarged view of portion 9 shown in FIG. 2.

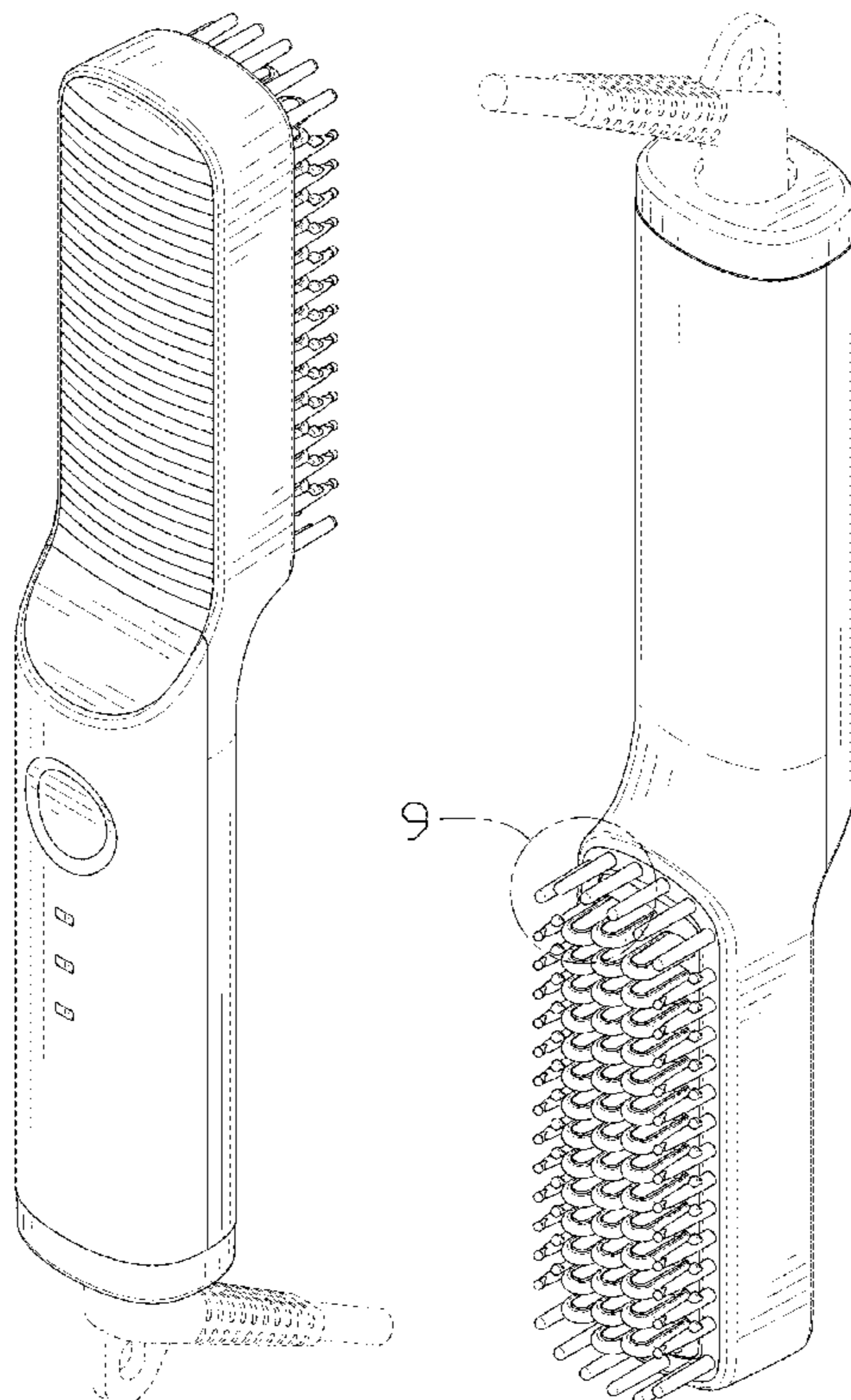
The evenly-incremented broken lines in the drawings depict environmental structure, while long-dash-short-dash broken lines illustrate the bounds of the enlarged detail view. None of the elements depicted in broken lines form part of the claimed design.

(56) **References Cited**

U.S. PATENT DOCUMENTS

7,650,893	B2 *	1/2010	De Laforcade	A46B 9/021 132/218
D821,648	S *	6/2018	Qiu	D28/25
D842,539	S	3/2019	Guy-Rabi		
D862,087	S	10/2019	Ma		
D885,765	S *	6/2020	Yuan	D4/100
D889,129	S *	7/2020	Janowick	D4/100
D889,130	S *	7/2020	Yuan	D4/100
D893,195	S *	8/2020	Li	D4/100
D895,294	S *	9/2020	Xie	D4/100

1 Claim, 9 Drawing Sheets



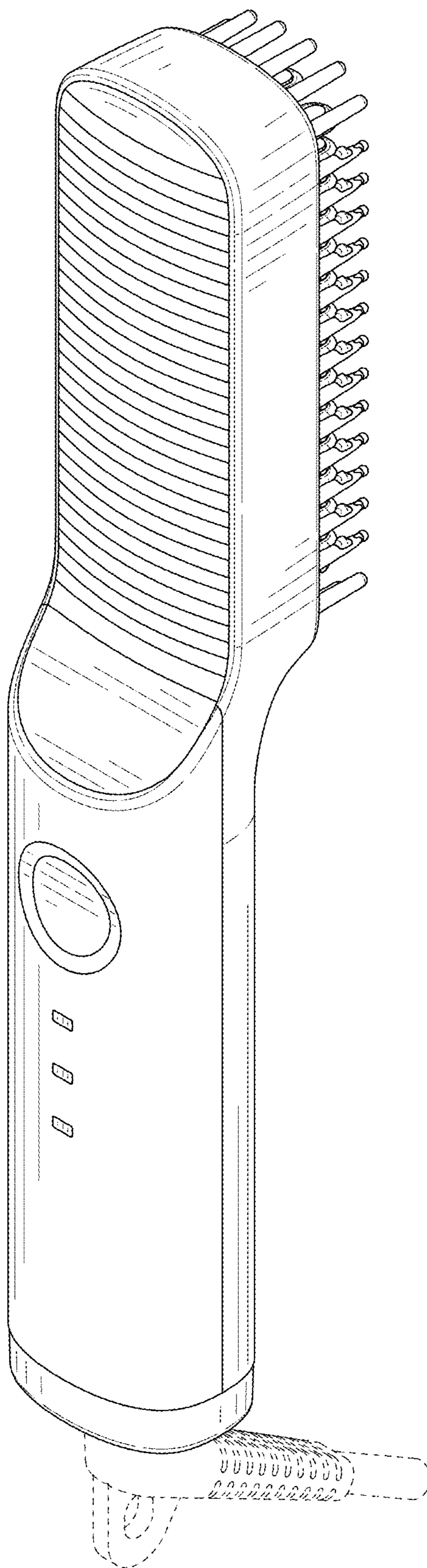


FIG. 1

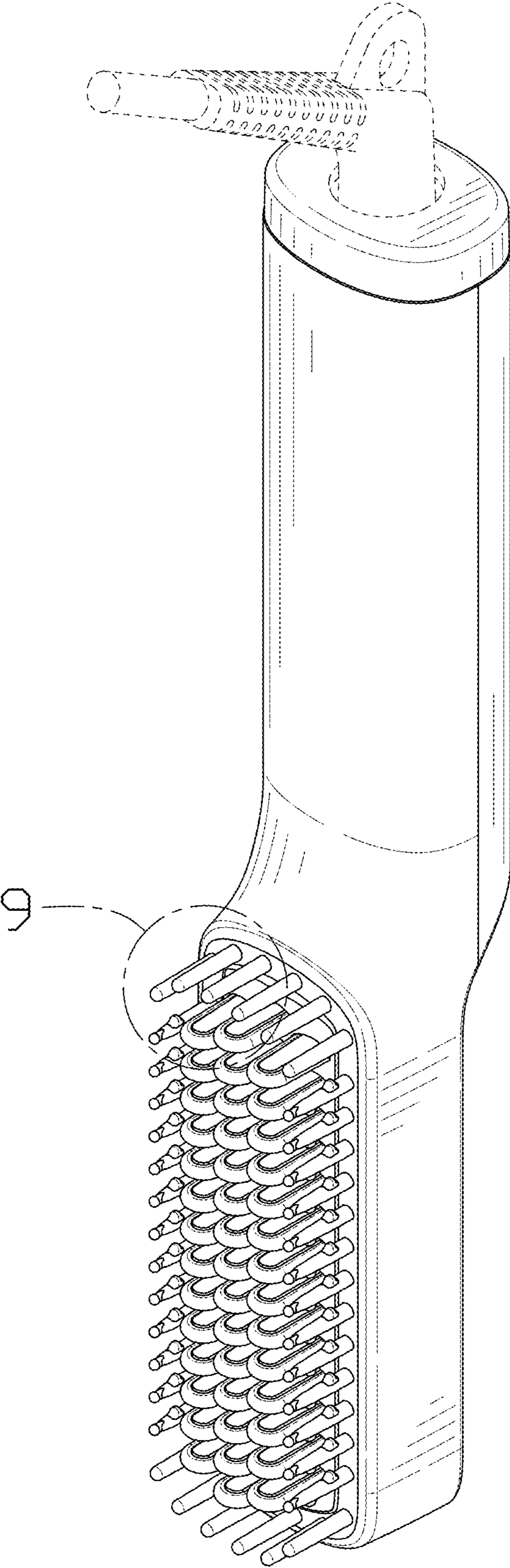


FIG. 2

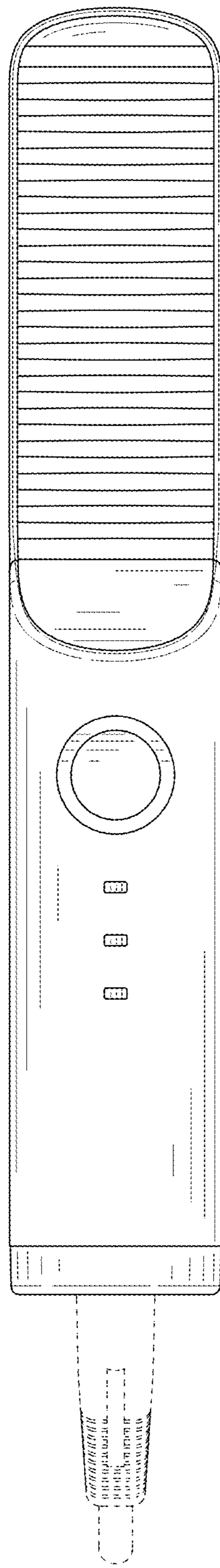


FIG. 3

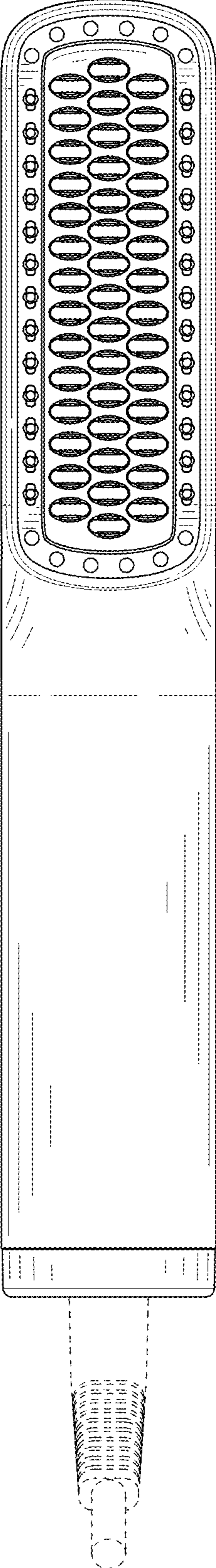


FIG. 4

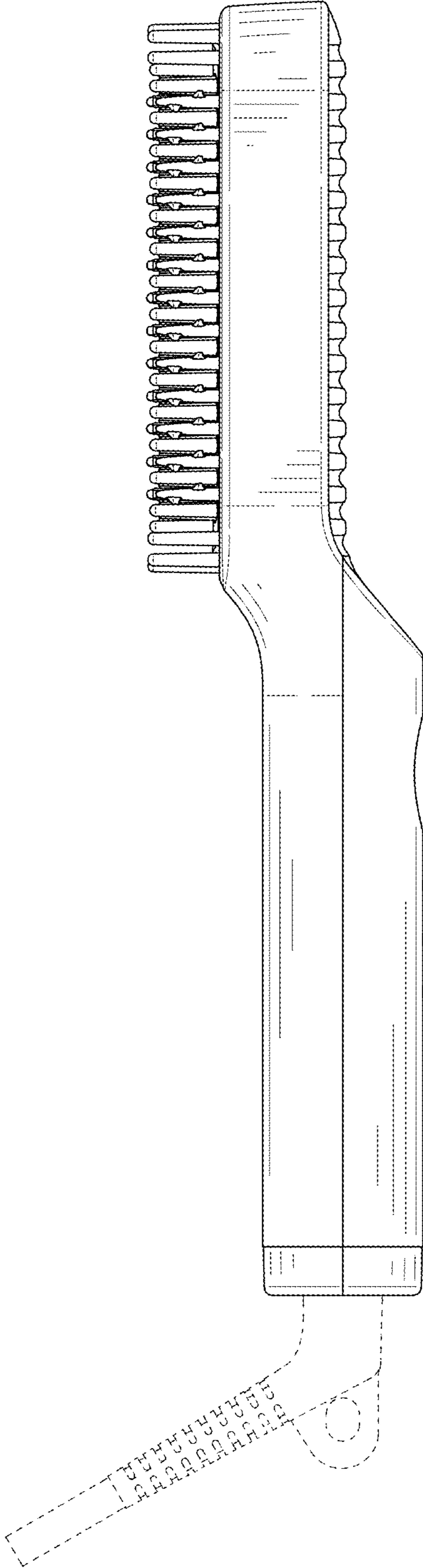


FIG. 5

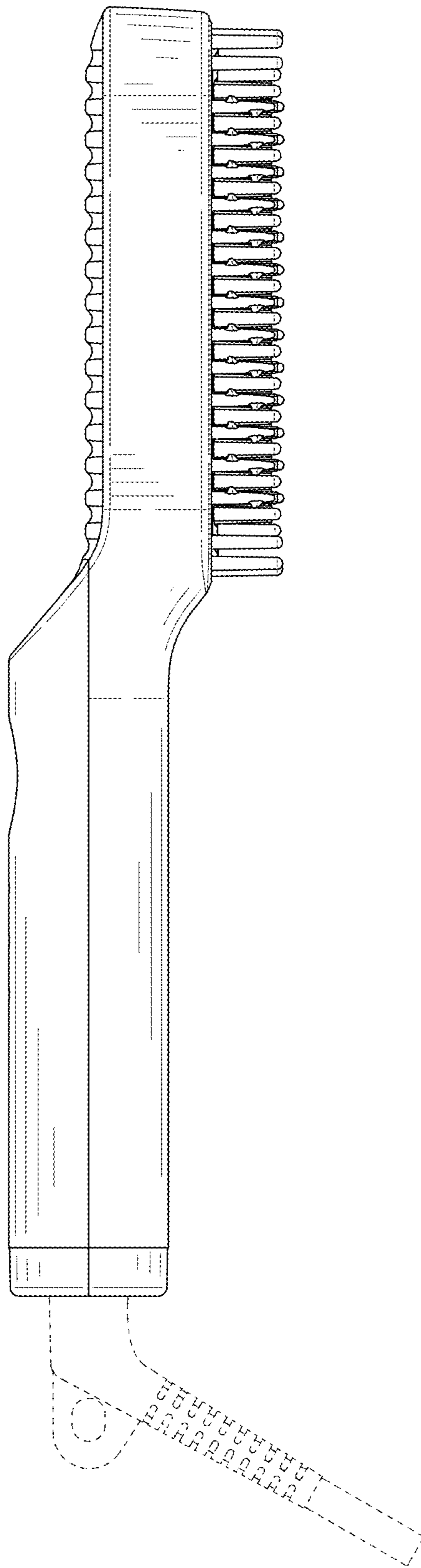


FIG. 6

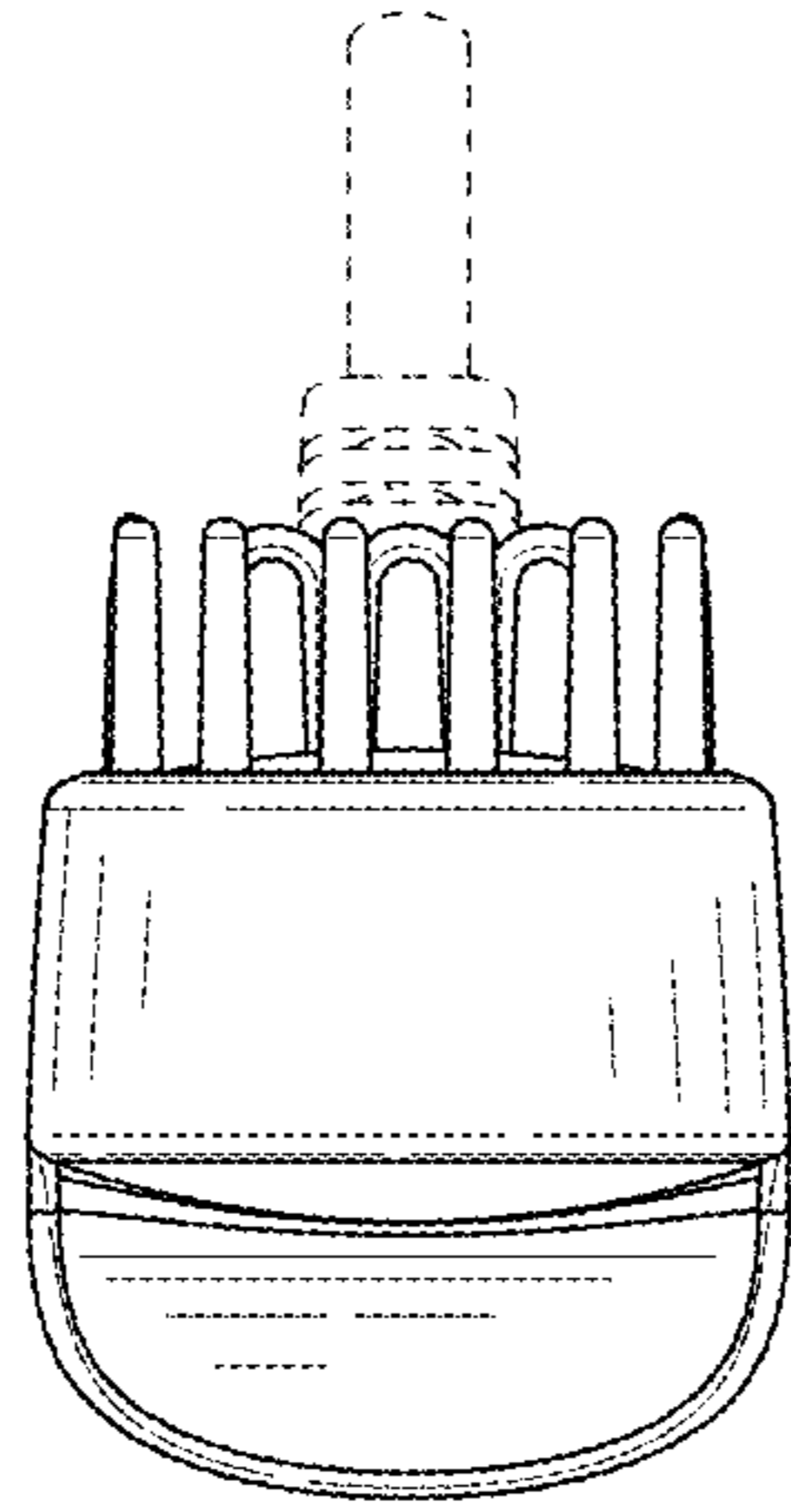


FIG. 7

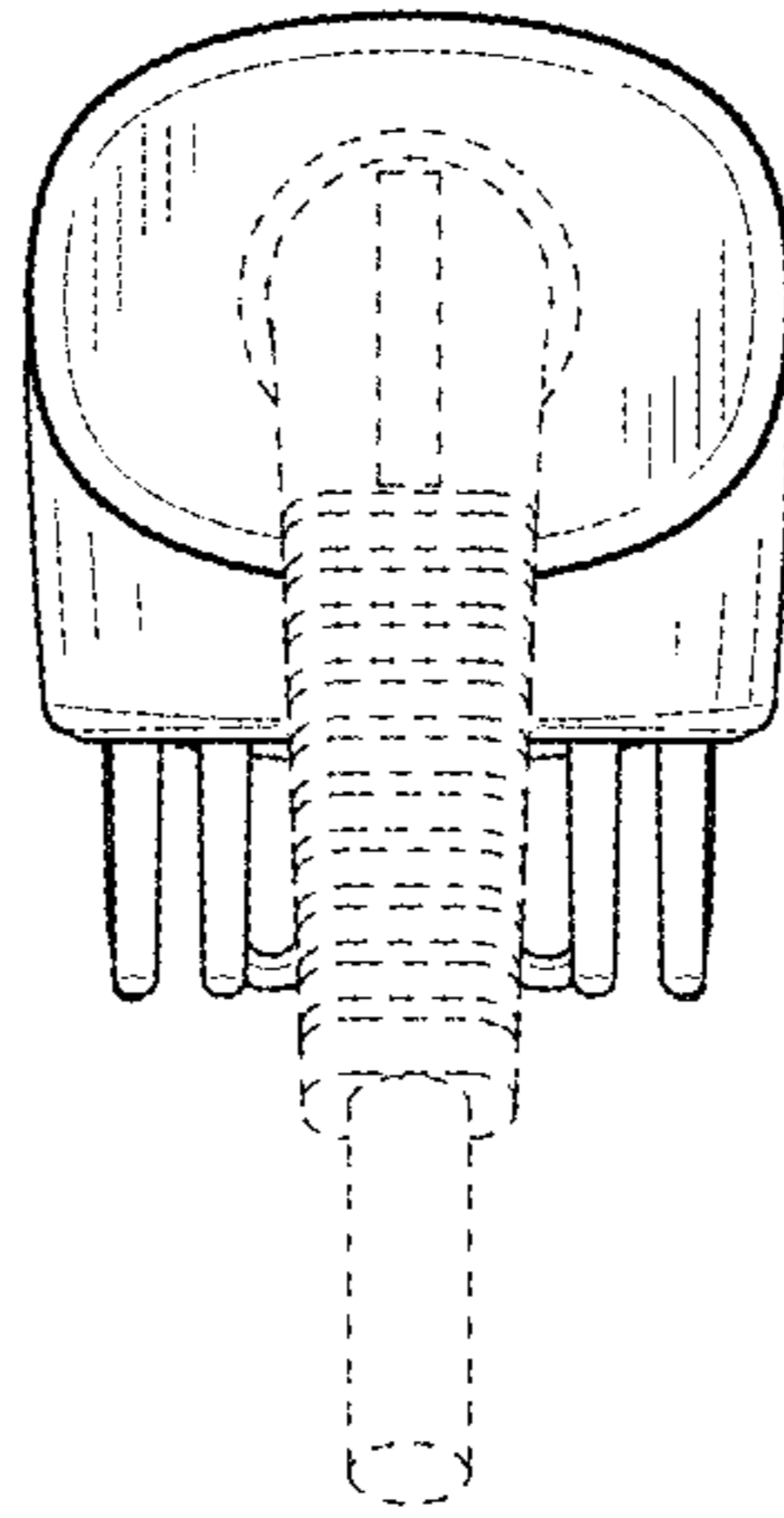


FIG. 8

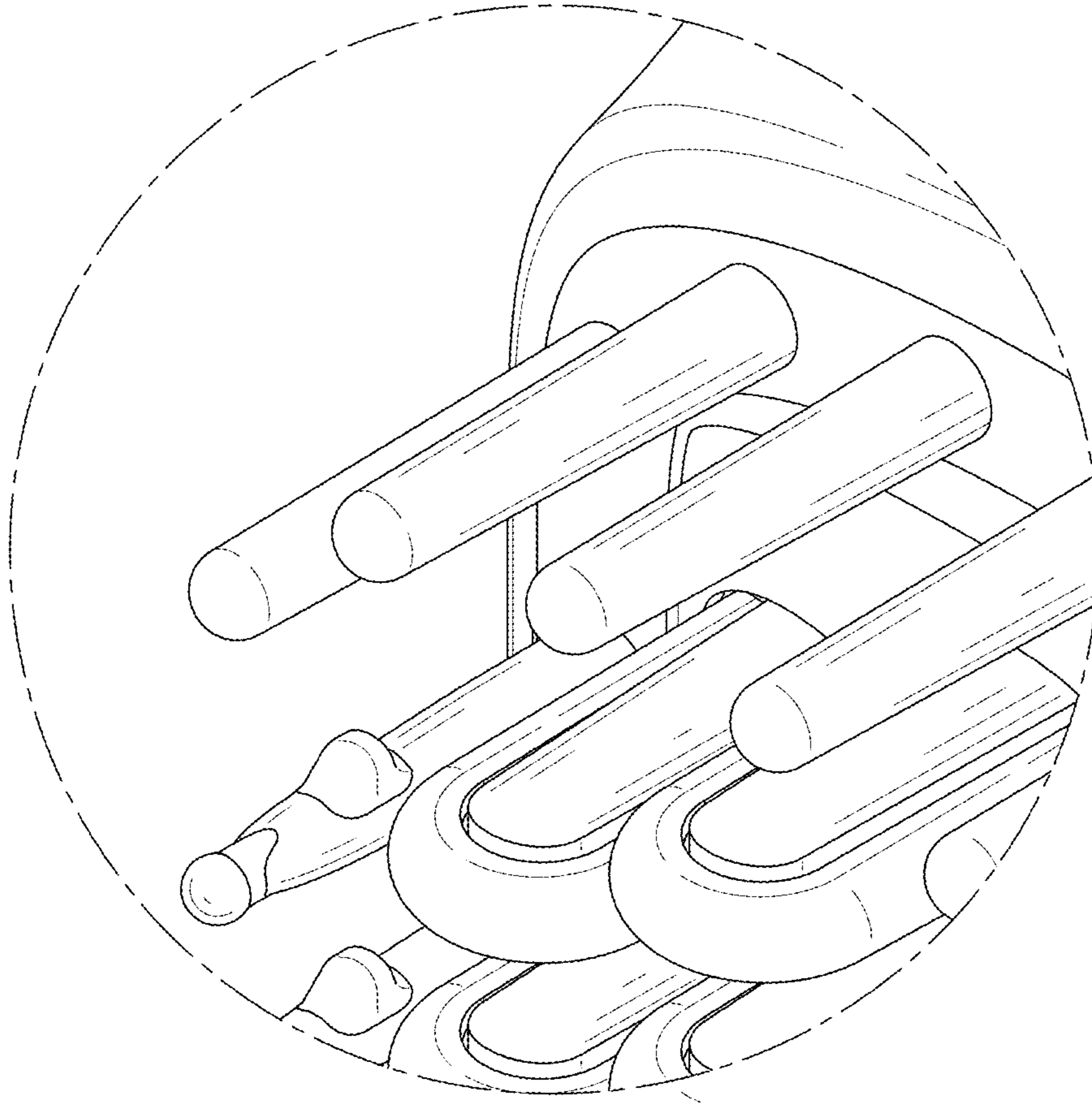


FIG. 9