

US00D899780S

(12) **United States Design Patent** (10) **Patent No.:** **US D899,780 S**
Wilson-Turnbow (45) **Date of Patent:** **** Oct. 27, 2020**

(54) **CONTAINER LID**

Primary Examiner — Holly H Baynham

(71) Applicant: **Jaidah Wilson-Turnbow**, Chicago, IL
(US)

(74) *Attorney, Agent, or Firm* — The Keys Law Firm
PLLC

(72) Inventor: **Jaidah Wilson-Turnbow**, Chicago, IL
(US)

(57) **CLAIM**

(**) Term: **15 Years**

The ornamental design for a container lid, as shown and described.

(21) Appl. No.: **29/739,820**

(22) Filed: **Jun. 29, 2020**

Related U.S. Application Data

DESCRIPTION

(63) Continuation of application No. 16/910,036, filed on Jun. 23, 2020.

(51) **LOC (12) Cl.** **03-01**

(52) **U.S. Cl.**
USPC **D3/326; D3/318**

(58) **Field of Classification Search**
USPC D3/326, 318; D9/435, 447
CPC B65D 43/08; B65D 51/00; B65D 51/16;
A47G 19/22

See application file for complete search history.

FIG. 1 is a top perspective view a container lid showing a first embodiment of my new design;
FIG. 2 is a bottom perspective view thereof;
FIG. 3 is a side elevational view thereof;
FIG. 4 is another side elevational view thereof, showing the side that is ninety degrees rotation from that shown in FIG. 3

(56) **References Cited**

U.S. PATENT DOCUMENTS

1,122,954 A * 12/1914 Lang, Jr. B65D 51/16
220/364
1,969,724 A * 8/1934 Brooks B65D 51/16
220/364

D632,959 S 2/2011 Peters
8,579,138 B2 11/2013 Jamison
D700,513 S 3/2014 Carsrud
D701,726 S 4/2014 Alexander
D706,076 S 6/2014 Andersen

(Continued)

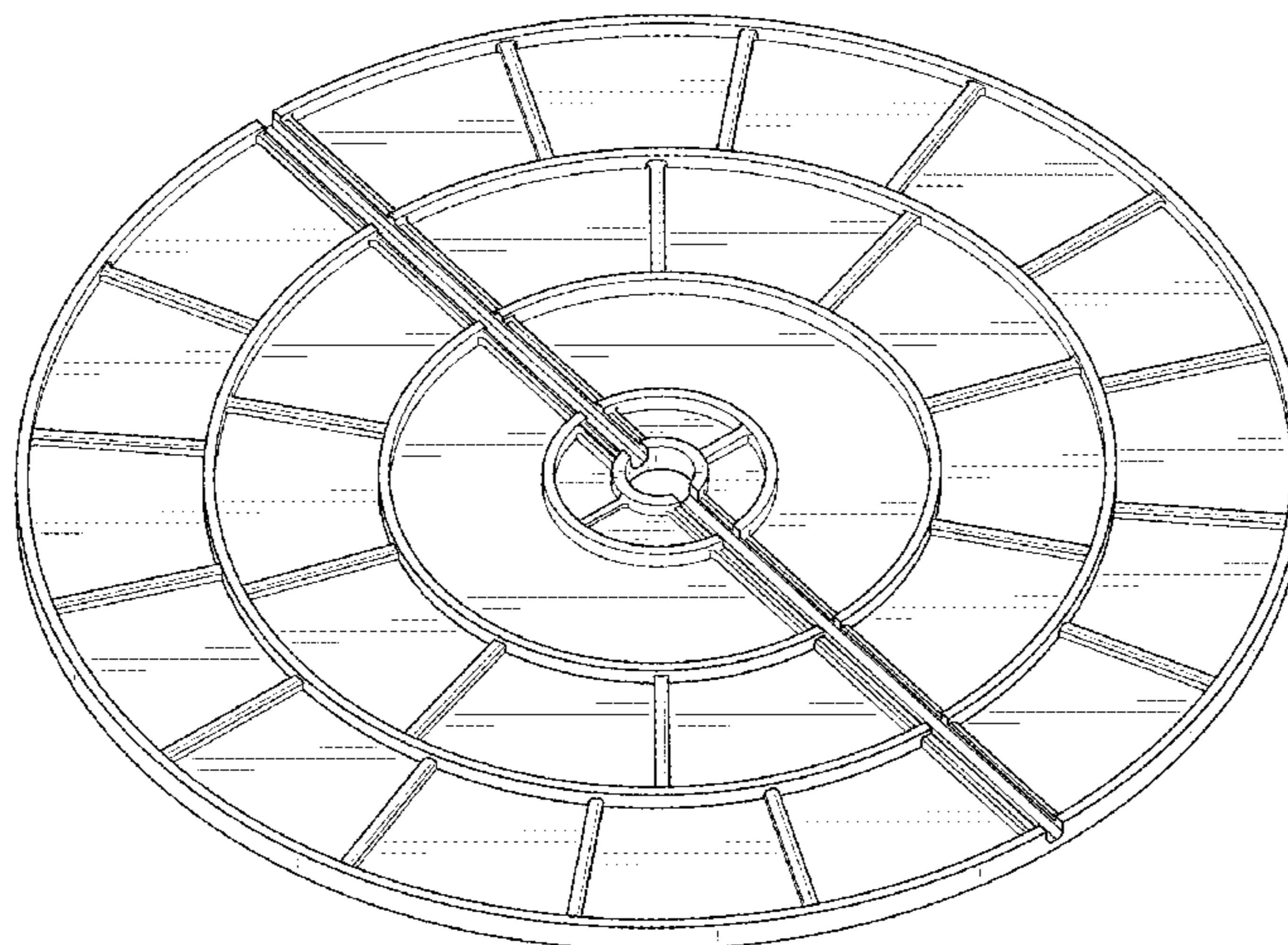
FOREIGN PATENT DOCUMENTS

DM 022302 3/1992
DM 204475 1/2019

(Continued)

FIG. 5 is a top plan view thereof;
FIG. 6 is a bottom plan view thereof;
FIG. 7 is a top perspective view a container lid showing a second embodiment of my new design;
FIG. 8 is a bottom perspective view thereof;
FIG. 9 is a side elevational view thereof;
FIG. 10 is another side elevational view thereof, showing the side that is ninety degrees rotation from that shown in FIG. 9;
FIG. 11 is a top plan view thereof;
FIG. 12 is a bottom plan view thereof;
FIG. 13 is a top perspective view a container lid showing a third embodiment of my new design;
FIG. 14 is a bottom perspective view thereof;
FIG. 15 is a side elevational view thereof;
FIG. 16 is another side elevational view thereof, showing the side that is ninety degrees rotation from that shown in FIG. 15.
FIG. 17 is a top plan view thereof; and,
FIG. 18 is a bottom plan view thereof.

1 Claim, 15 Drawing Sheets



(56)

References Cited

U.S. PATENT DOCUMENTS

8,746,481	B2	6/2014	Ferguson	
8,794,472	B2	8/2014	Hughes	
D741,066	S *	10/2015	Abdi	D3/318
D795,070	S	8/2017	Haddad	
D797,556	S *	9/2017	Brown	D9/447
D804,306	S	12/2017	Simons	
10,028,602	B1	7/2018	Johnson	
D827,363	S	9/2018	Matsui	
D833,871	S	11/2018	Katopis	
D885,181	S	5/2020	Dziaba	
2007/0178284	A1	8/2007	Barry	
2011/0233226	A1	9/2011	Muxo	
2015/0053702	A1	2/2015	Brewster	

FOREIGN PATENT DOCUMENTS

EM	002262311-0013	6/2013
EM	001462170-0001	11/2017
MY	19-00712-0505	2/2019
NZ	423342	10/2017
NZ	425558	12/2019

* cited by examiner

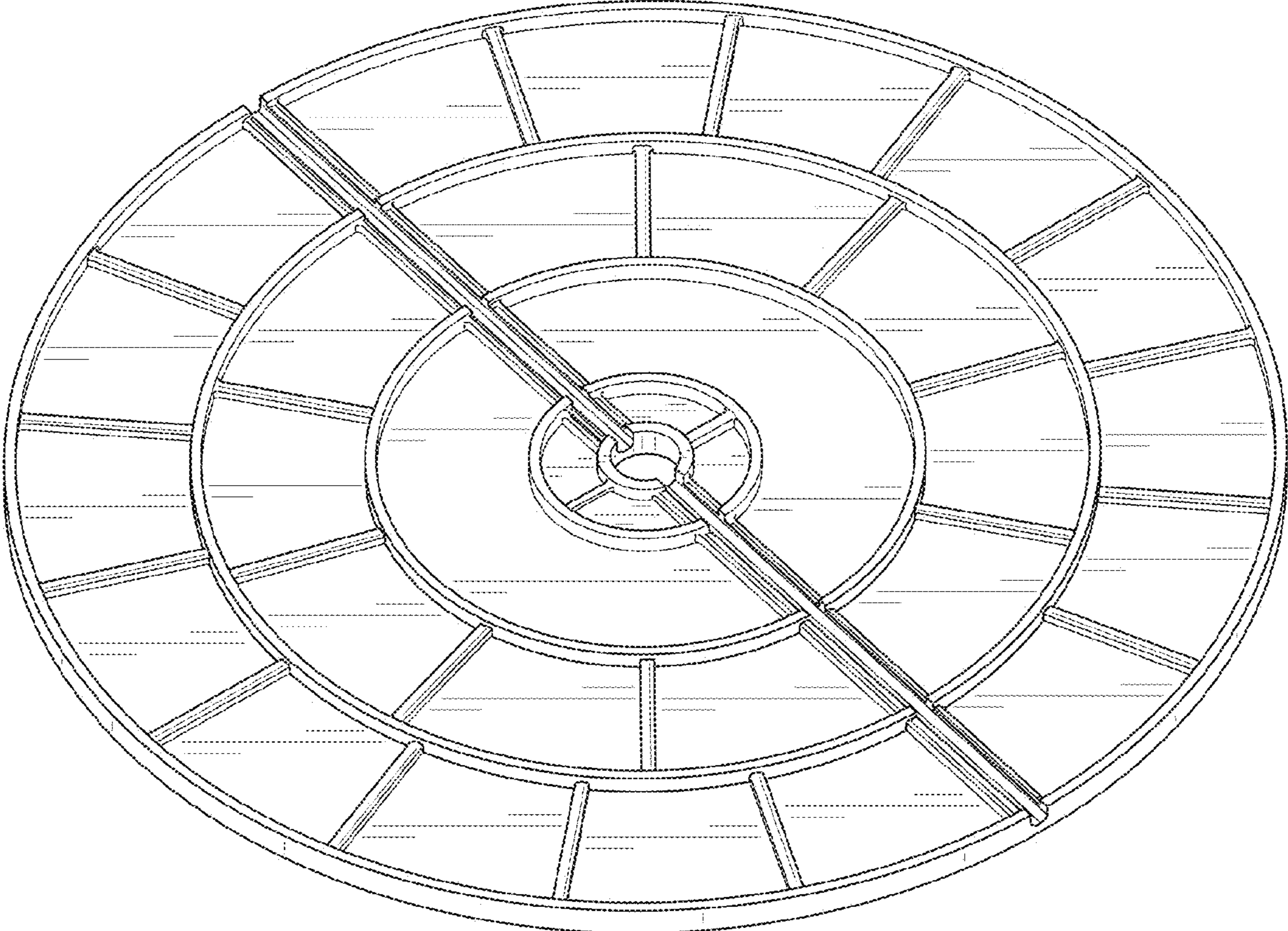


FIG. 1

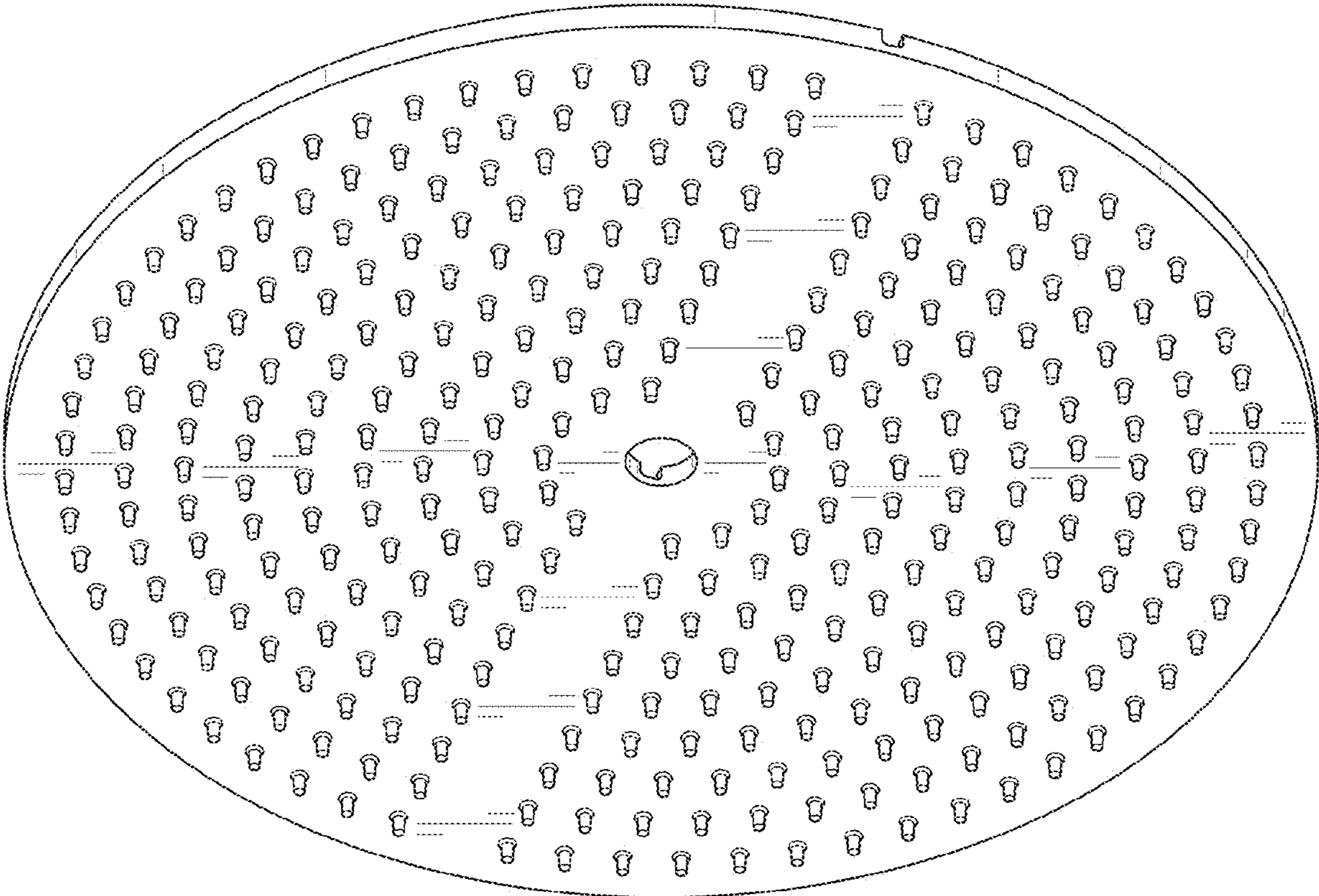


FIG. 2



FIG. 3



FIG. 4

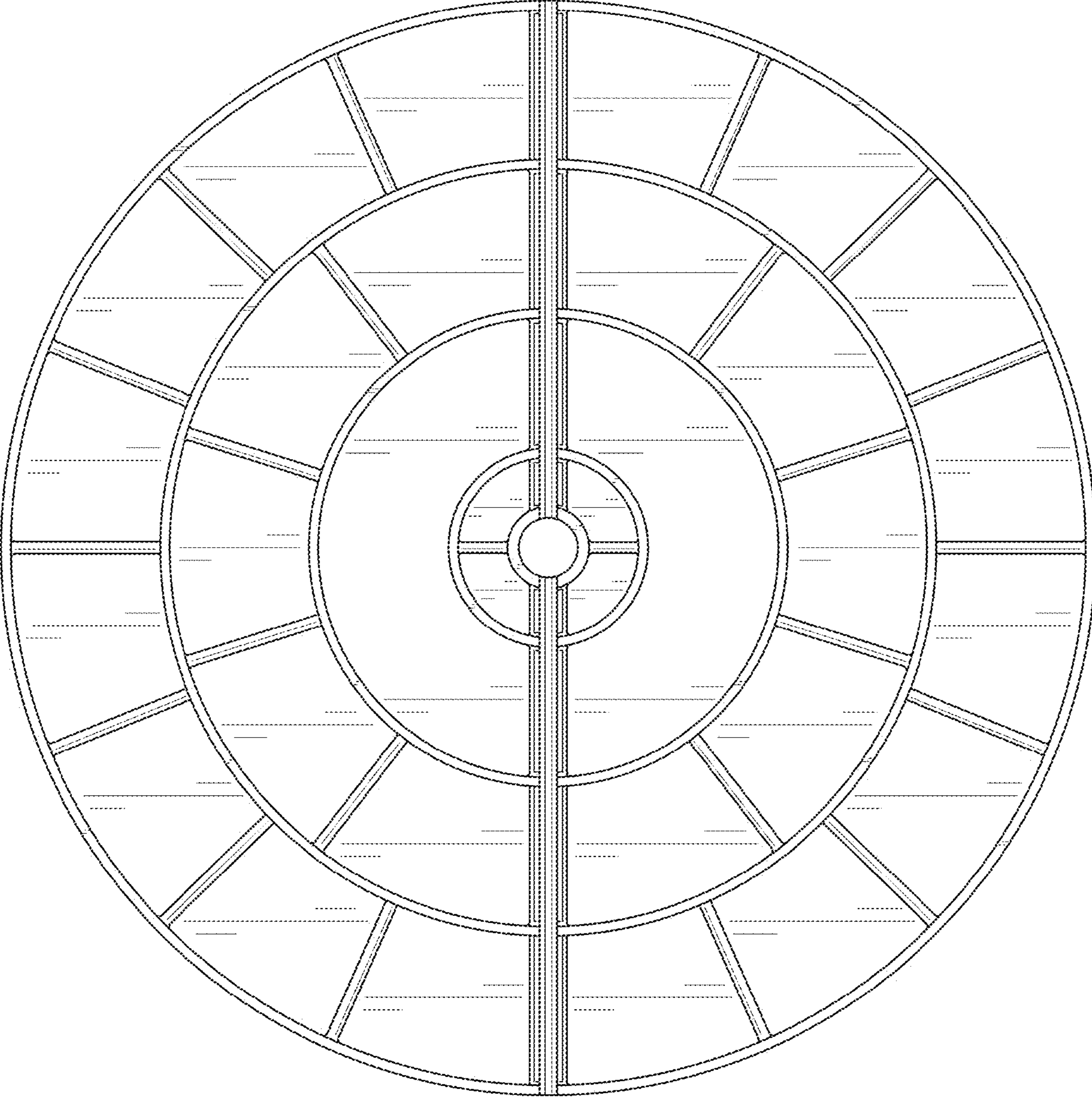


FIG. 5

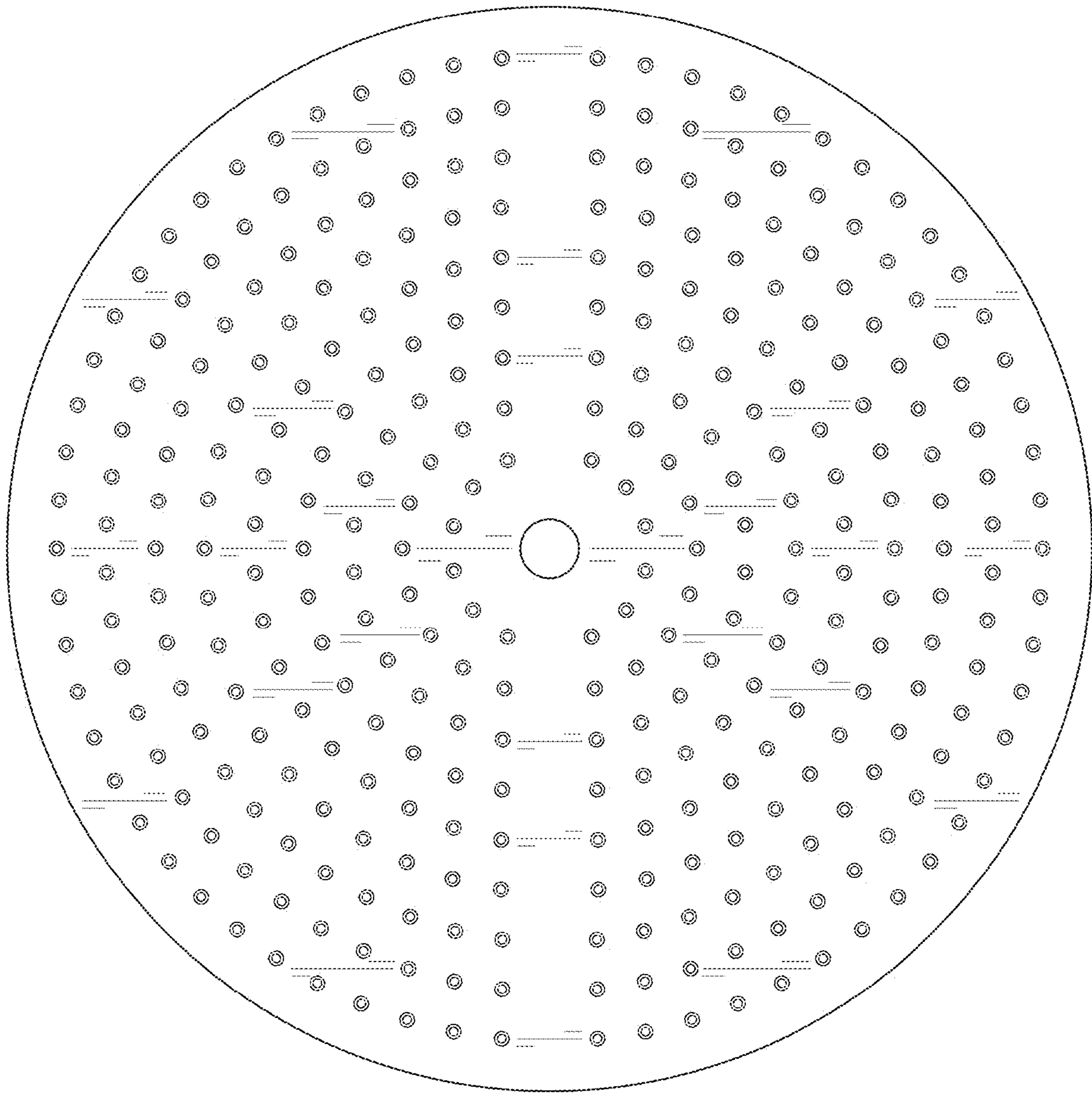


FIG. 6

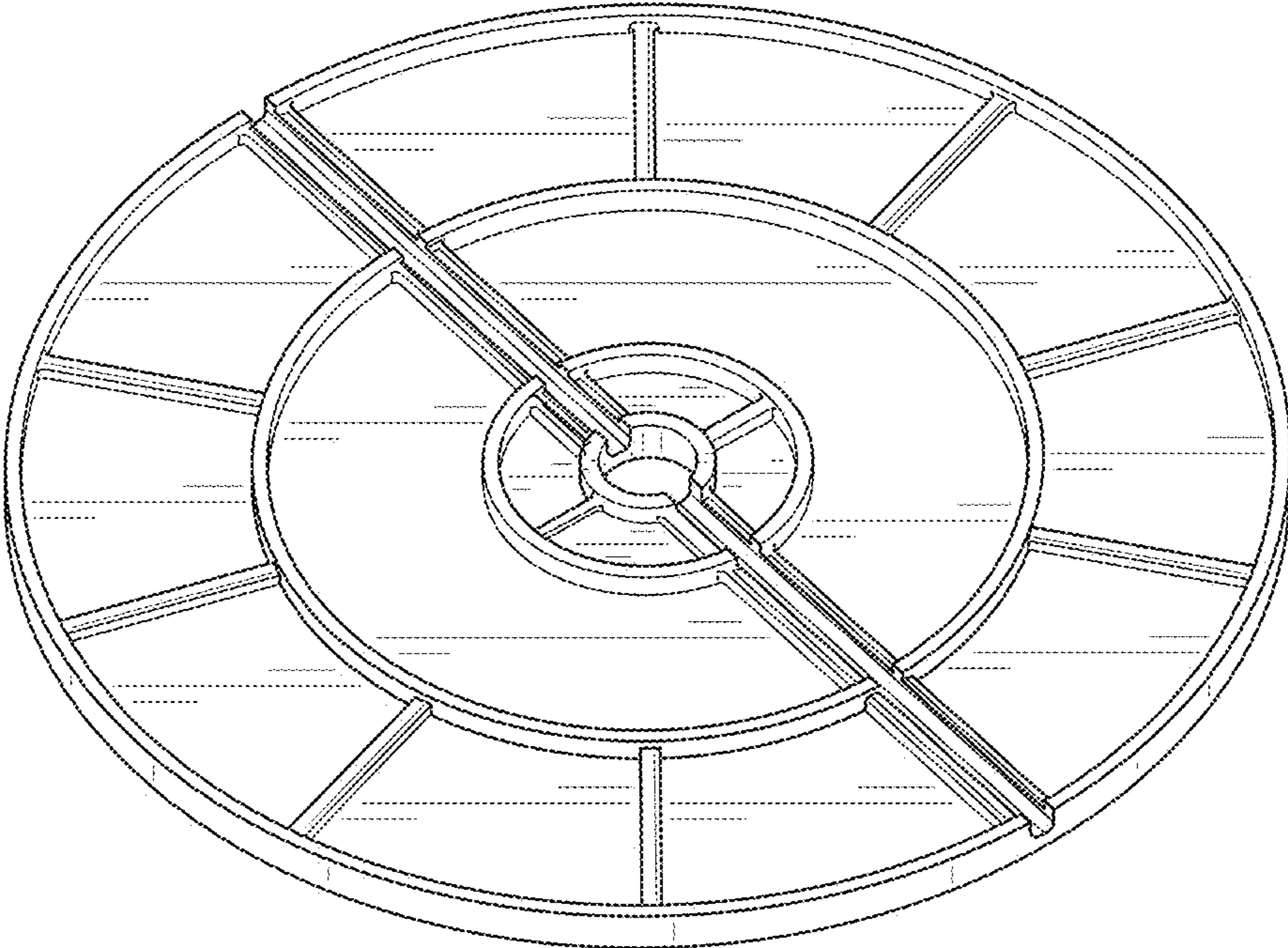


FIG. 7

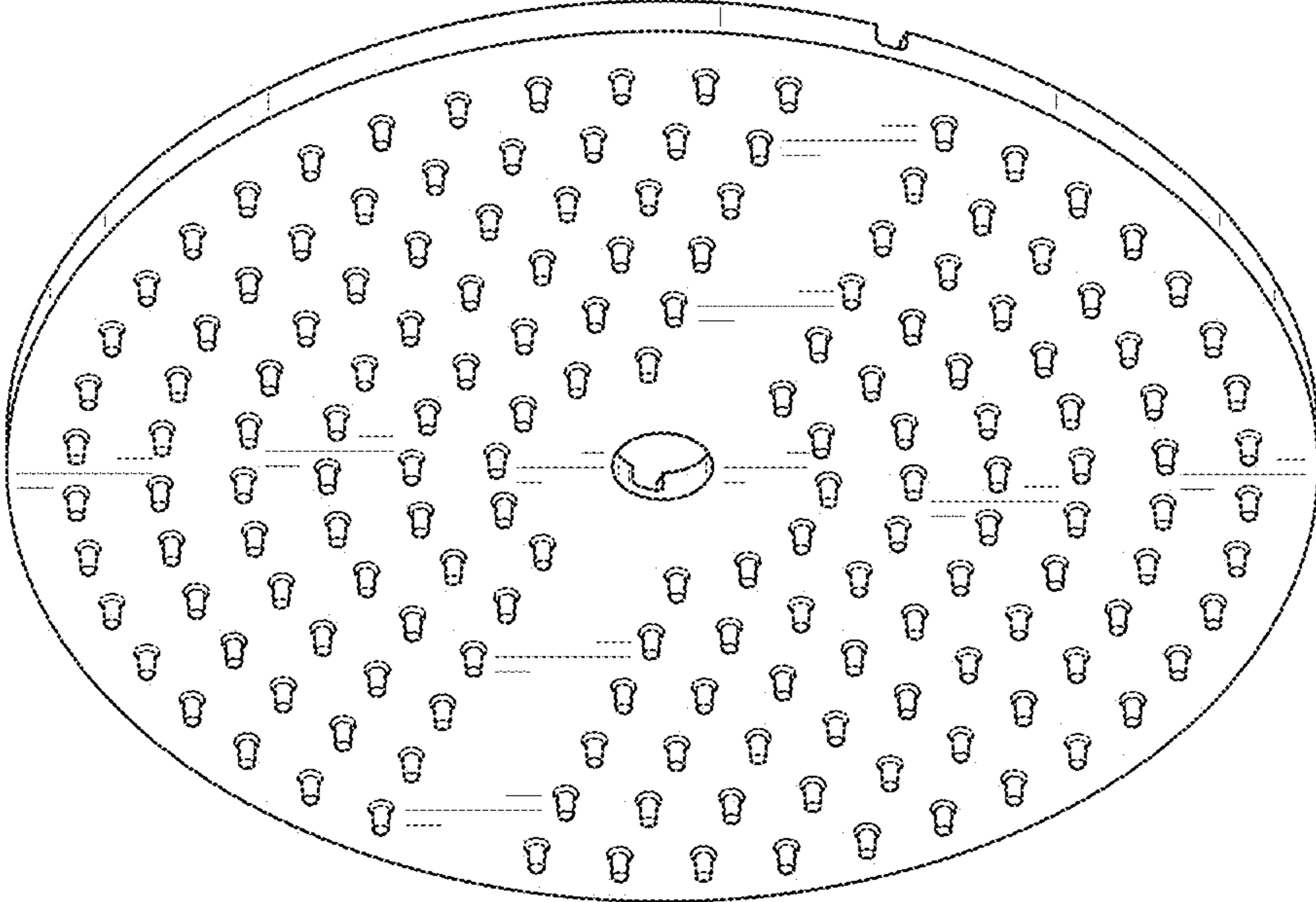


FIG. 8



FIG. 9



FIG. 10

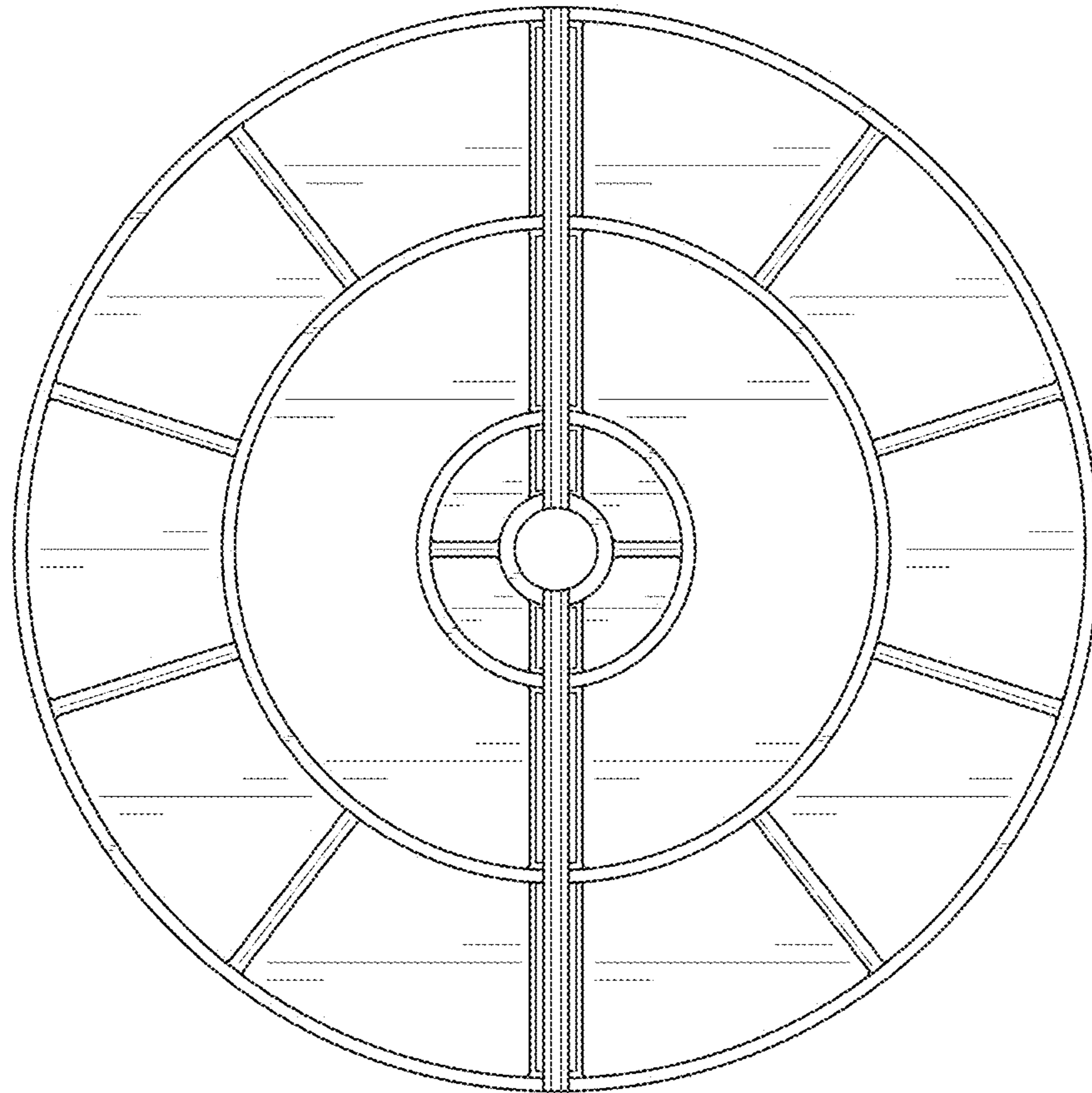


FIG. 11

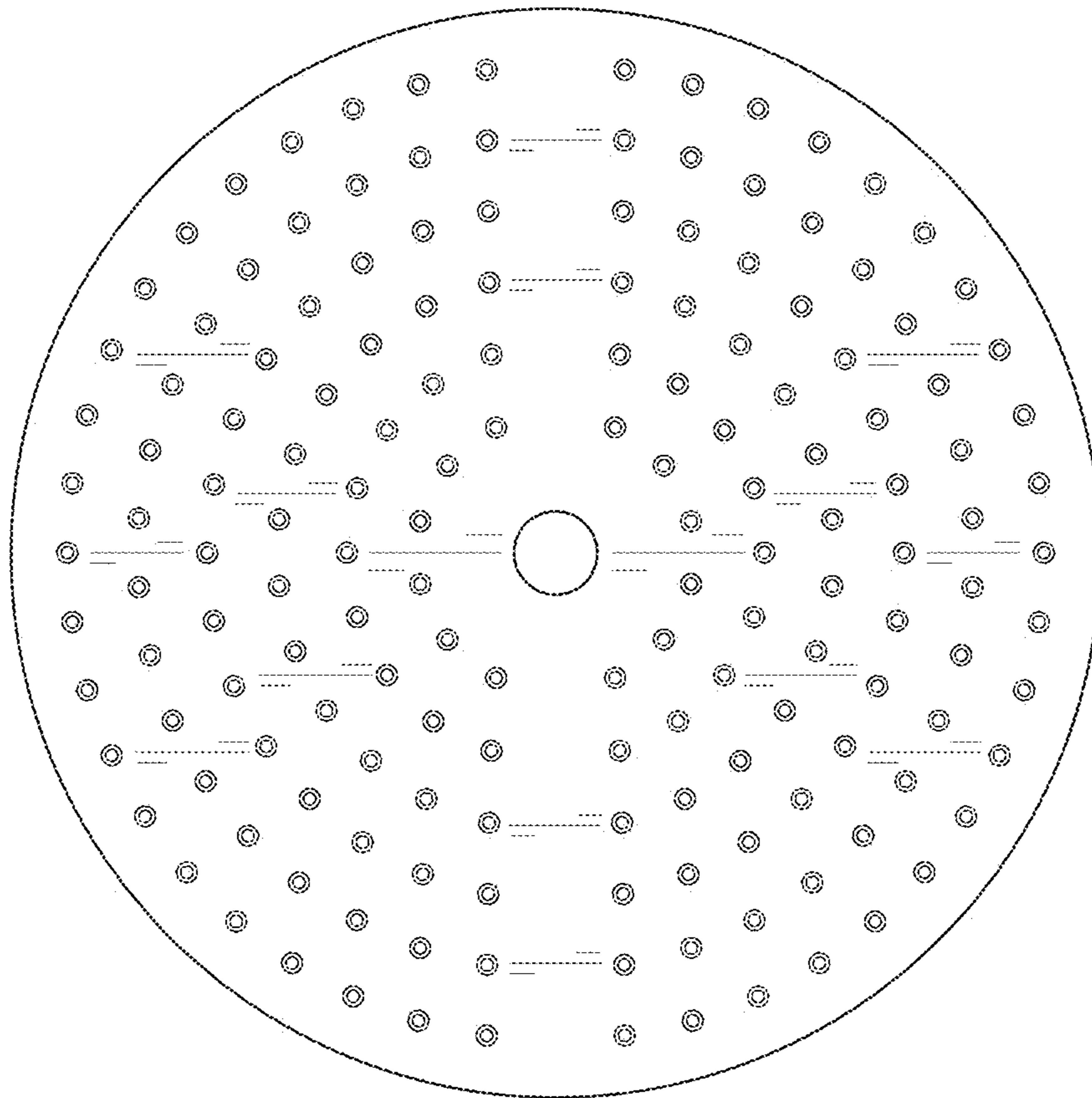


FIG. 12

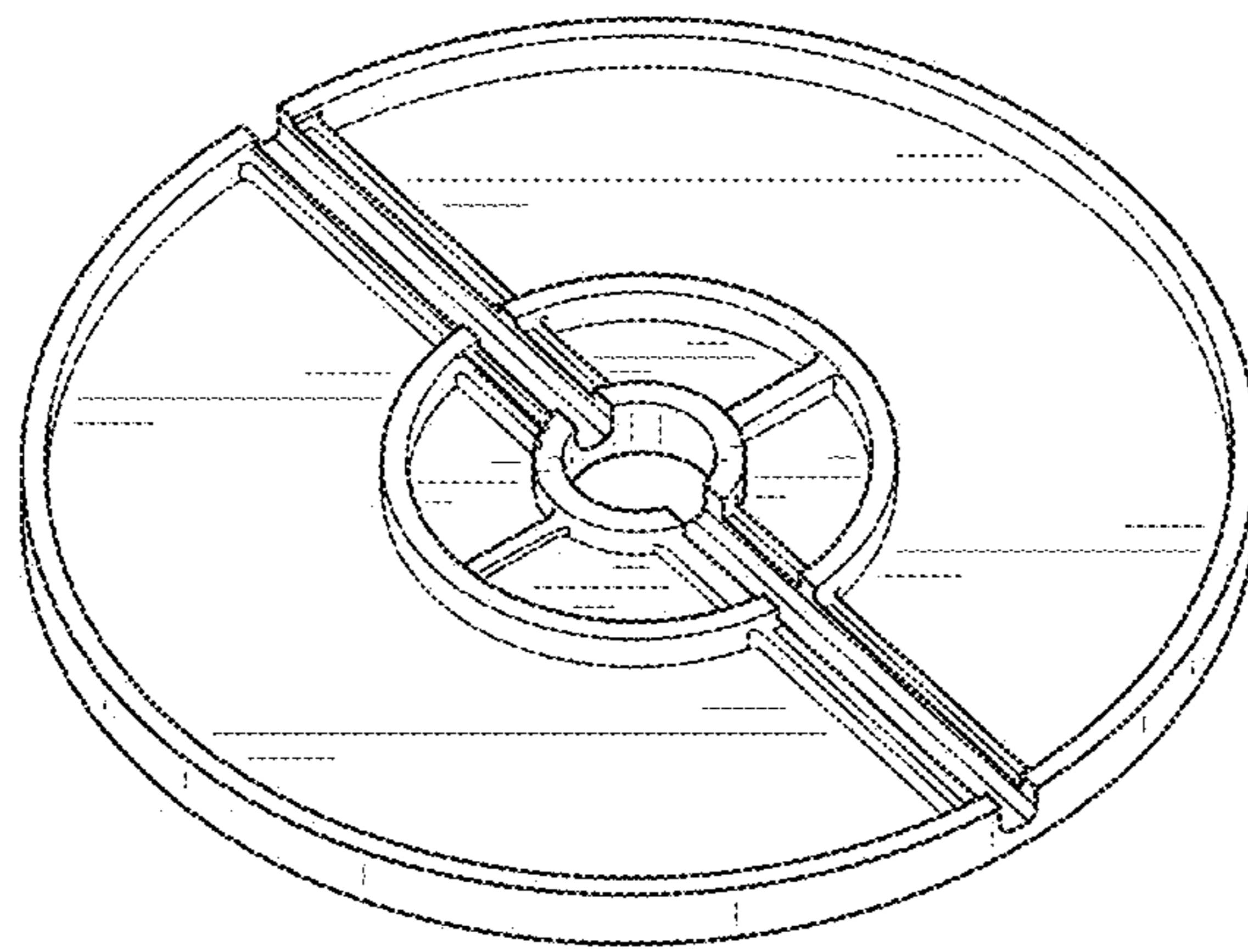


FIG. 13

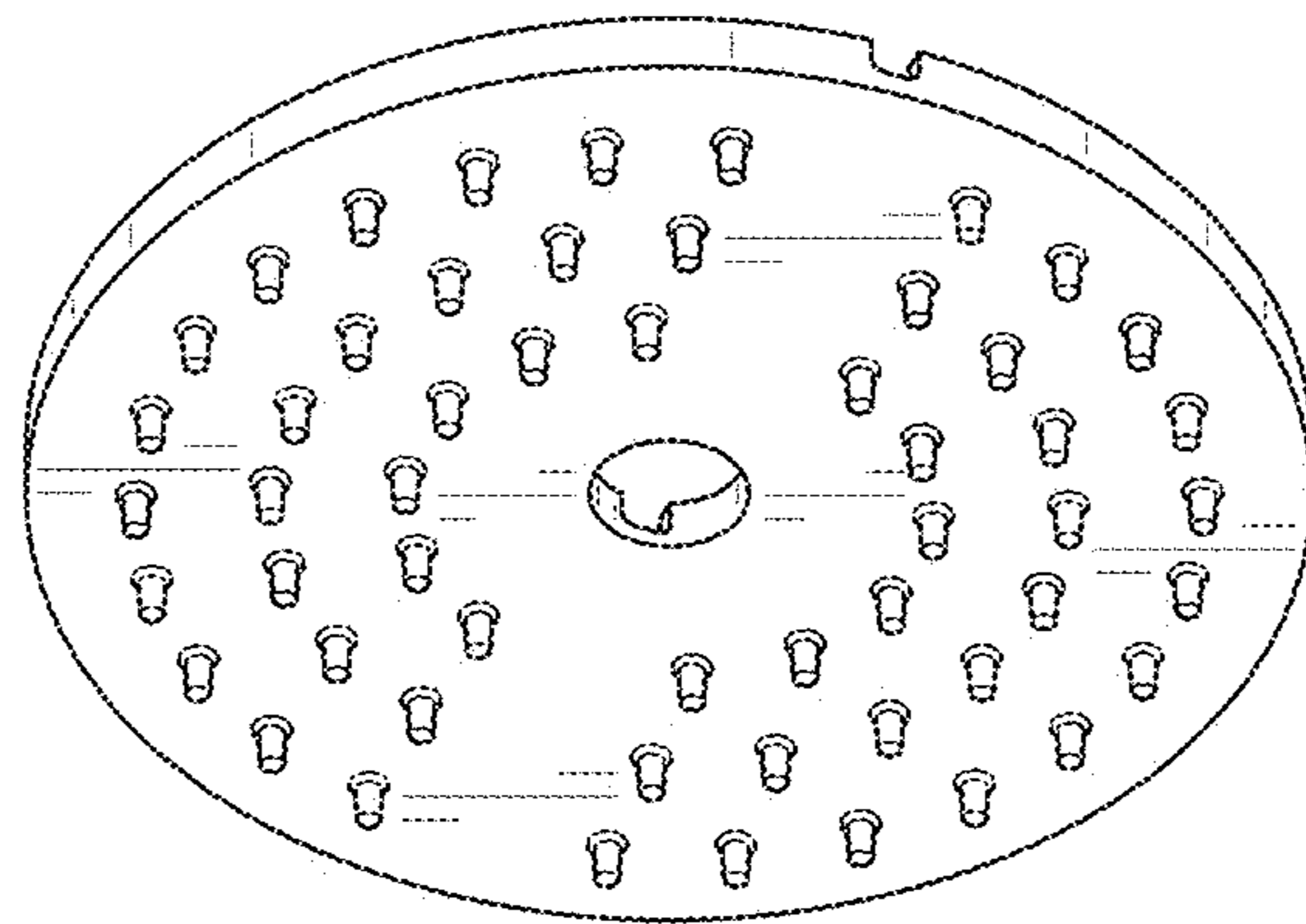


FIG. 14

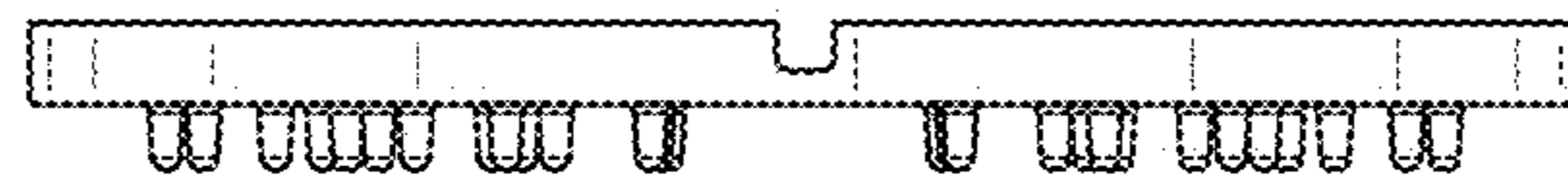


FIG. 15



FIG. 16

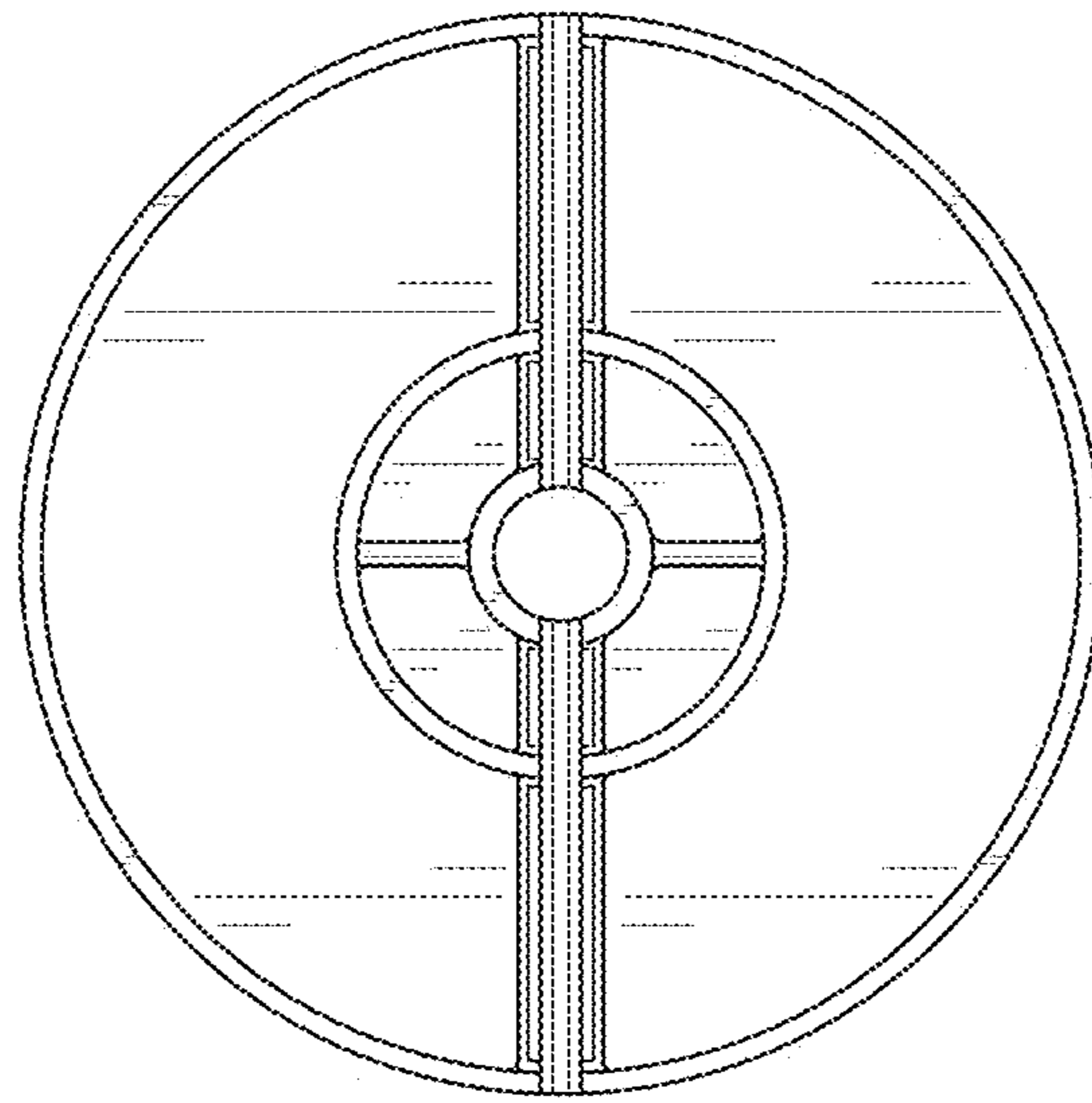


FIG. 17

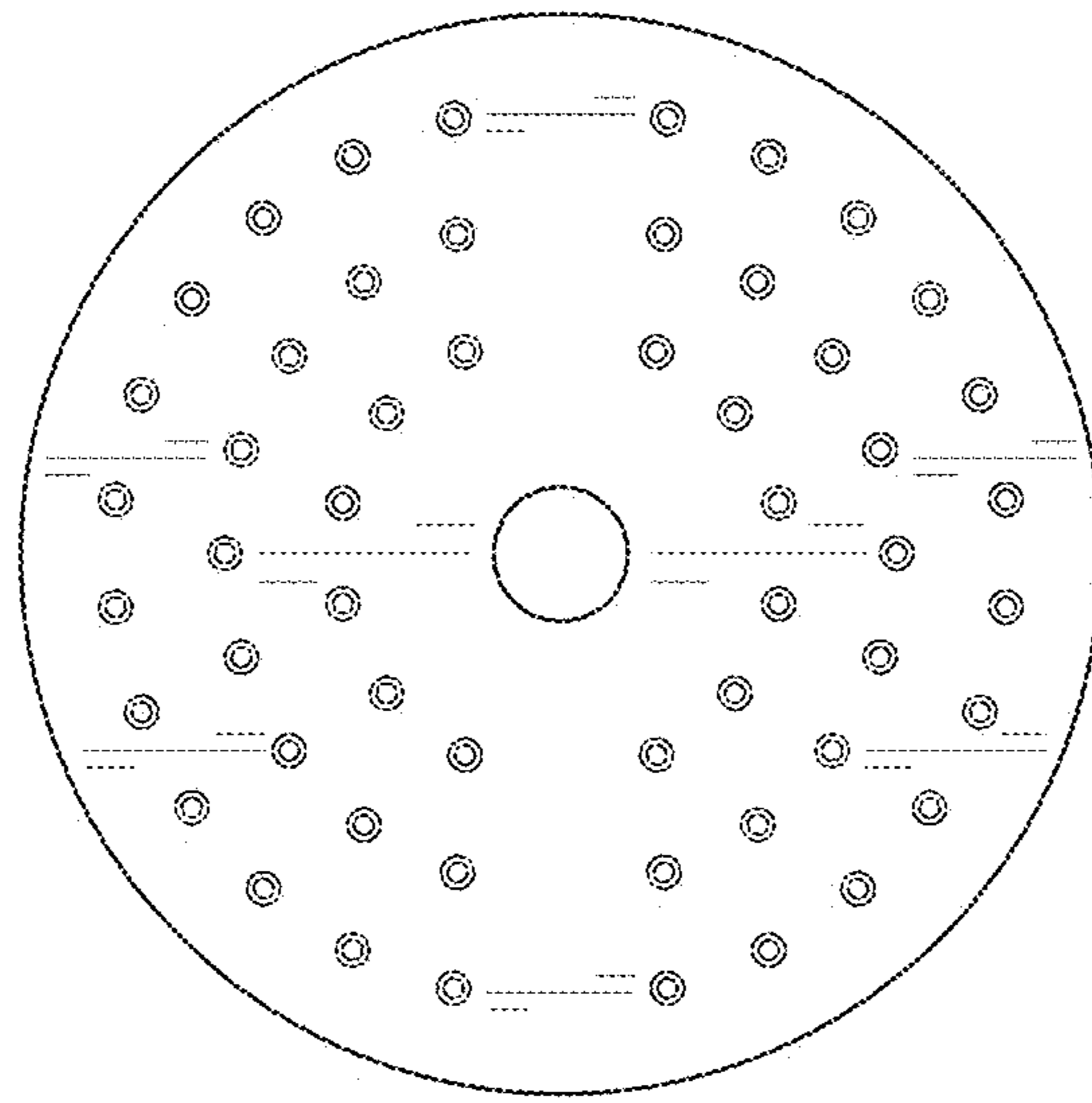


FIG. 18