



US00D899775S

(12) **United States Design Patent** (10) **Patent No.:** **US D899,775 S**
Frueh et al. (45) **Date of Patent:** **** Oct. 27, 2020**

(54) **SENSOR CARRIER**
(71) Applicant: **PII Pipetronix GmbH**, Stutensee (DE)
(72) Inventors: **Volker Frueh**, Stutensee (DE); **Heiko Witte**, Stutensee (DE)
(73) Assignee: **PII Pipetronix GmbH**, Stutensee (DE)
(**) Term: **15 Years**
(21) Appl. No.: **29/648,712**
(22) Filed: **May 23, 2018**
(51) **LOC (12) Cl.** **03-01**
(52) **U.S. Cl.**
USPC **D3/313**
(58) **Field of Classification Search**
USPC D3/303-315, 318-319, 328; D7/600.1,
D7/601-602, 701
CPC ... B65D 1/00; B65D 1/34; B65D 1/36; B65D
2543/00194; A47B 88/20; A47B 88/04;
A47B 2088/0403
See application file for complete search history.

D709,323 S * 7/2014 Brown D7/213
D713,051 S * 9/2014 Smeja D24/230
8,926,031 B2 * 1/2015 Belton A47B 88/407
312/246
D742,666 S * 11/2015 Akana D6/682.2
D779,340 S * 2/2017 Liu D9/758
D787,184 S * 5/2017 Stuart D3/313
D870,540 S * 12/2019 Aoki D8/377
D873,660 S * 1/2020 Akana D9/436
2005/0126316 A1 6/2005 Richter et al.
2012/0325004 A1 12/2012 Herron et al.
2013/0133429 A1 5/2013 Palma et al.
2016/0273992 A1 9/2016 Frueh
2018/0279807 A1 * 10/2018 Greensmith A47F 5/108
2018/0368588 A1 * 12/2018 Xia A47F 5/0087

* cited by examiner

Primary Examiner — Kelley A Donnelly

(74) *Attorney, Agent, or Firm* — Mintz Levin Cohn Ferris
Glovsky and Popeo, P.C.

(57) **CLAIM**

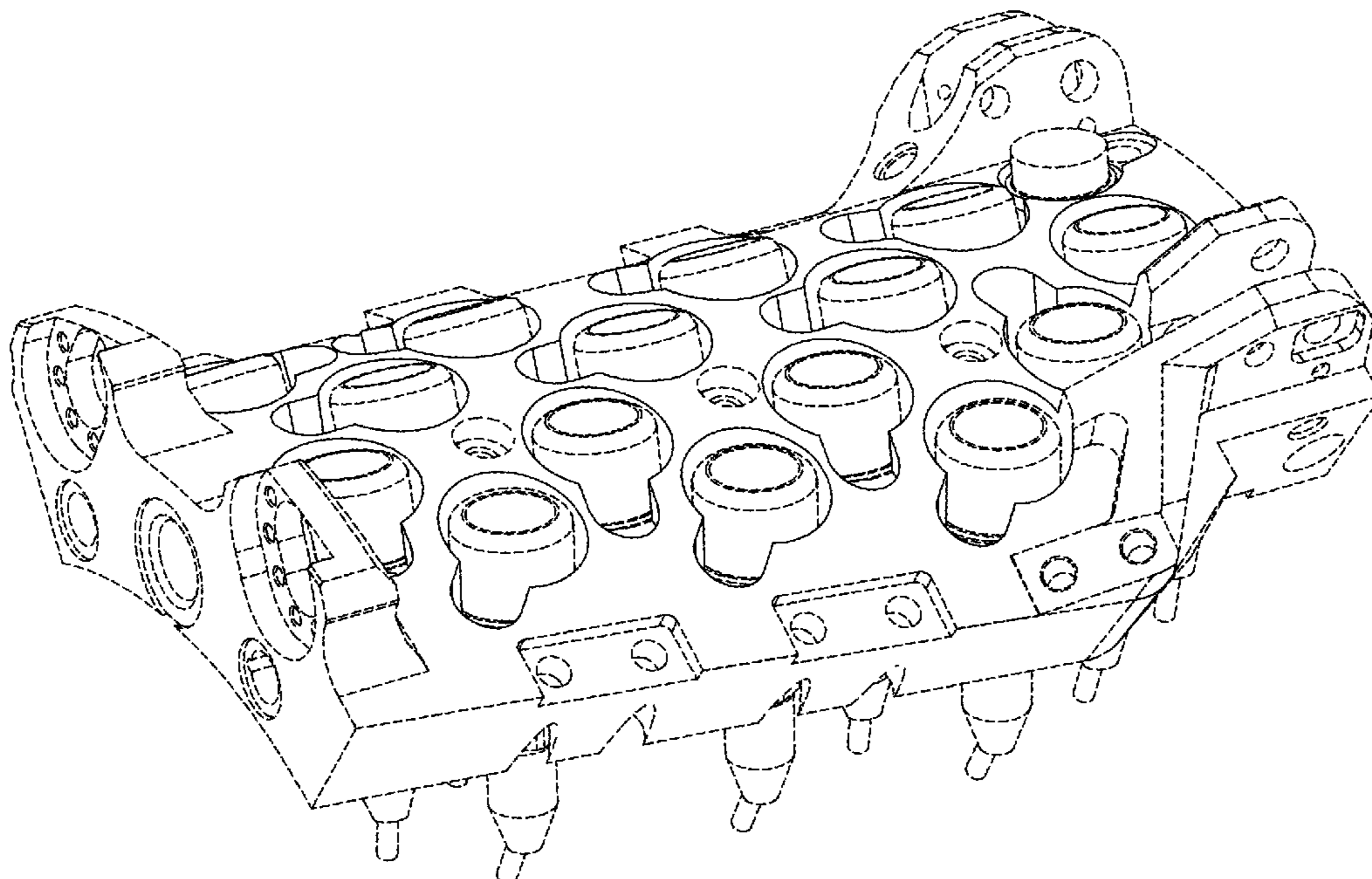
The ornamental design for a sensor carrier, as shown and described.

DESCRIPTION

FIG. 1 is an isometric view of a sensor carrier having sensors disposed therein;
FIG. 2 is a front view of the sensor carrier of FIG. 1;
FIG. 3 is a back view of the sensor carrier of FIG. 1;
FIG. 4 is a left view of the sensor carrier of FIG. 1;
FIG. 5 is a right view of the sensor carrier of FIG. 1;
FIG. 6 is a top view of the sensor carrier of FIG. 1; and,
FIG. 7 is a bottom view of the sensor carrier of FIG. 1.
Where applicable, elements are shown in broken lines herein for illustrative purposes only, and form no part of the claimed design.

1 Claim, 7 Drawing Sheets

(56) **References Cited**
U.S. PATENT DOCUMENTS
D192,672 S * 4/1962 Jenkins D24/230
3,211,290 A * 10/1965 Strickling B65B 21/18
209/522
D274,789 S * 7/1984 Brown D9/758
4,807,484 A 2/1989 Goedecke
D389,408 S * 1/1998 Rask D21/491
D518,737 S * 4/2006 Zalzal D9/732
D596,758 S * 7/2009 Constable D24/230
D673,795 S * 1/2013 Murrah D6/682.2
D695,078 S * 12/2013 Hertaus D7/600.1
D708,763 S * 7/2014 Smeja D24/229



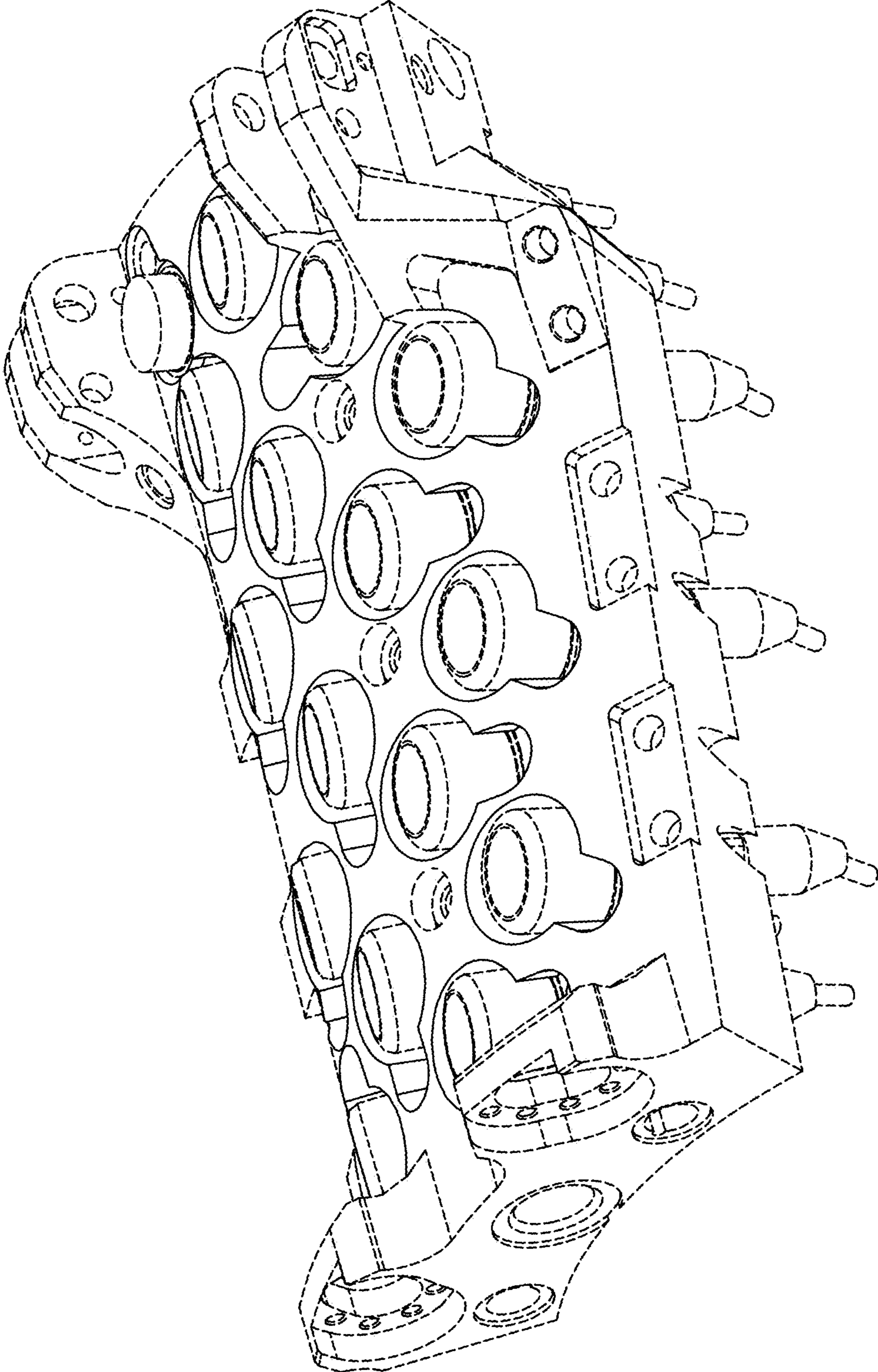


FIG. 1

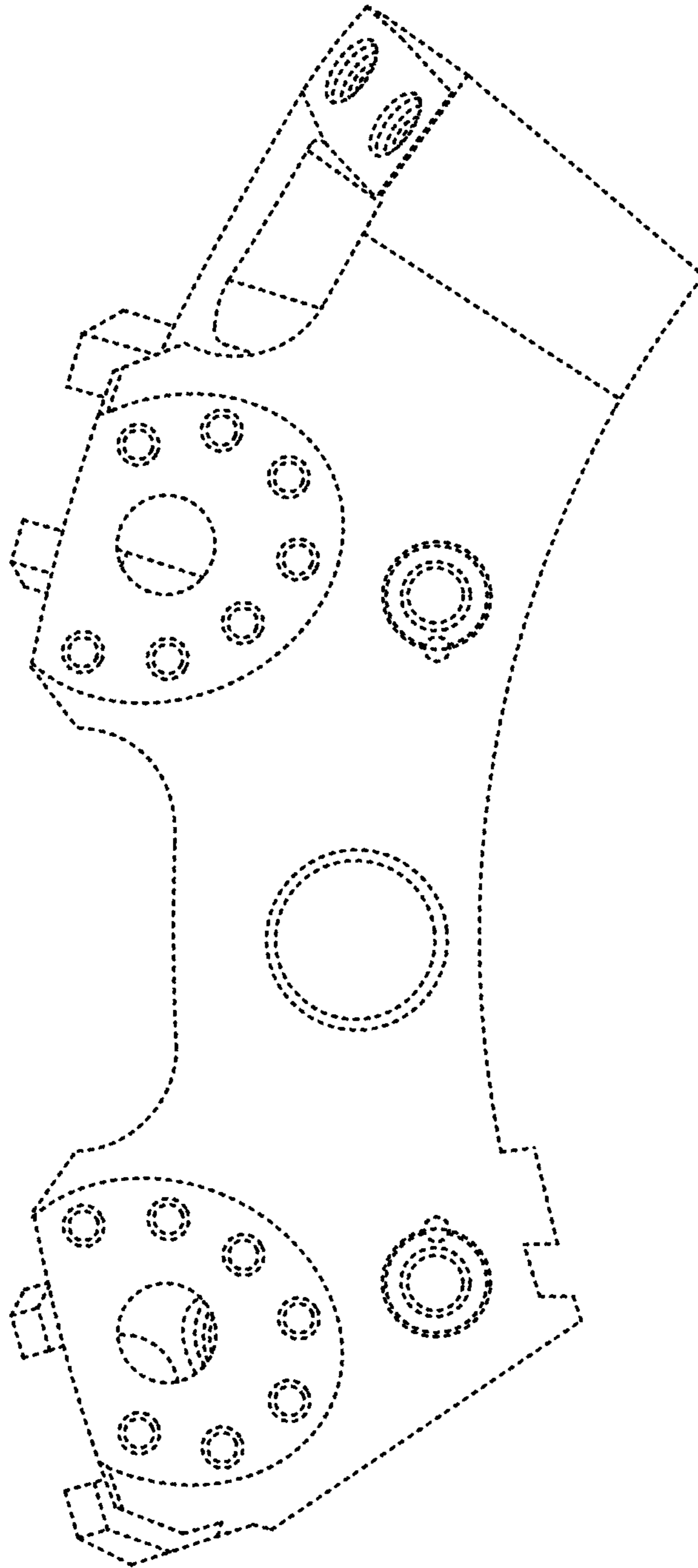


FIG. 2

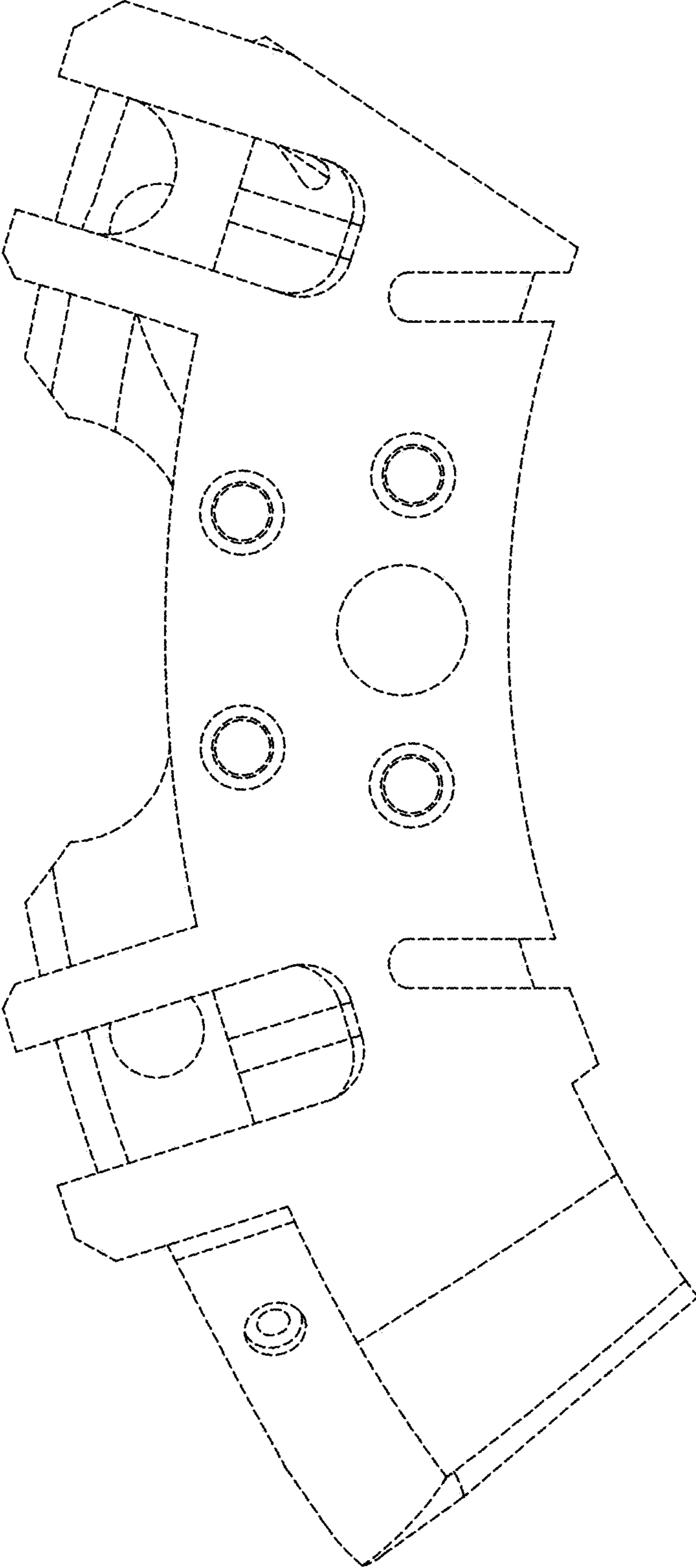


FIG. 3

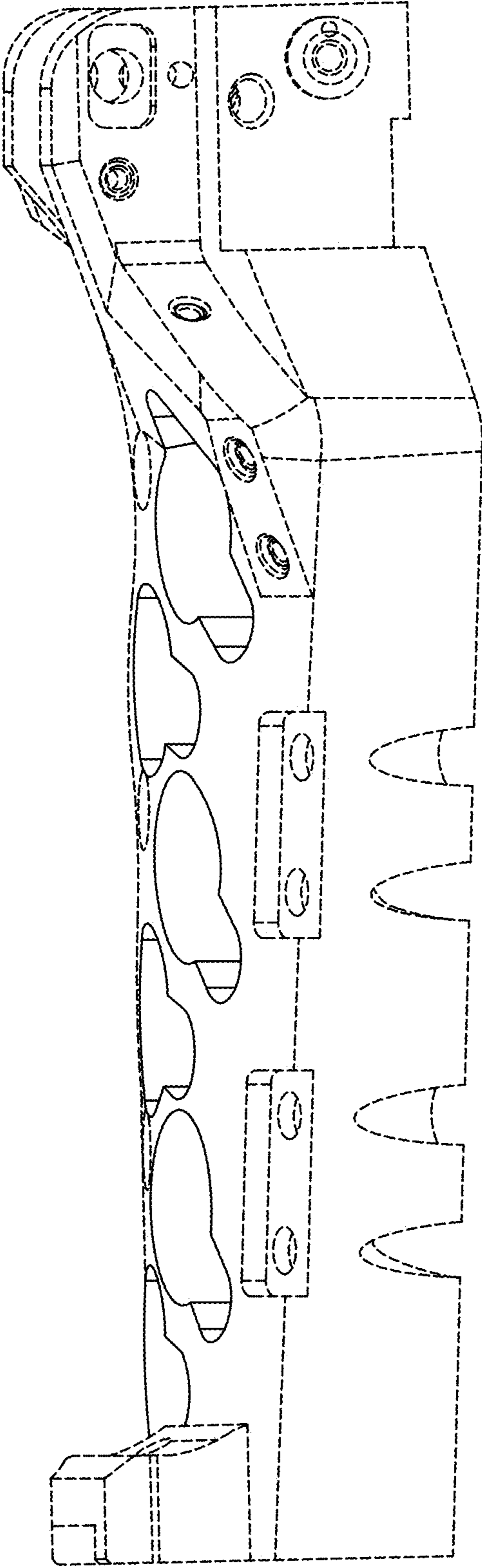


FIG. 4

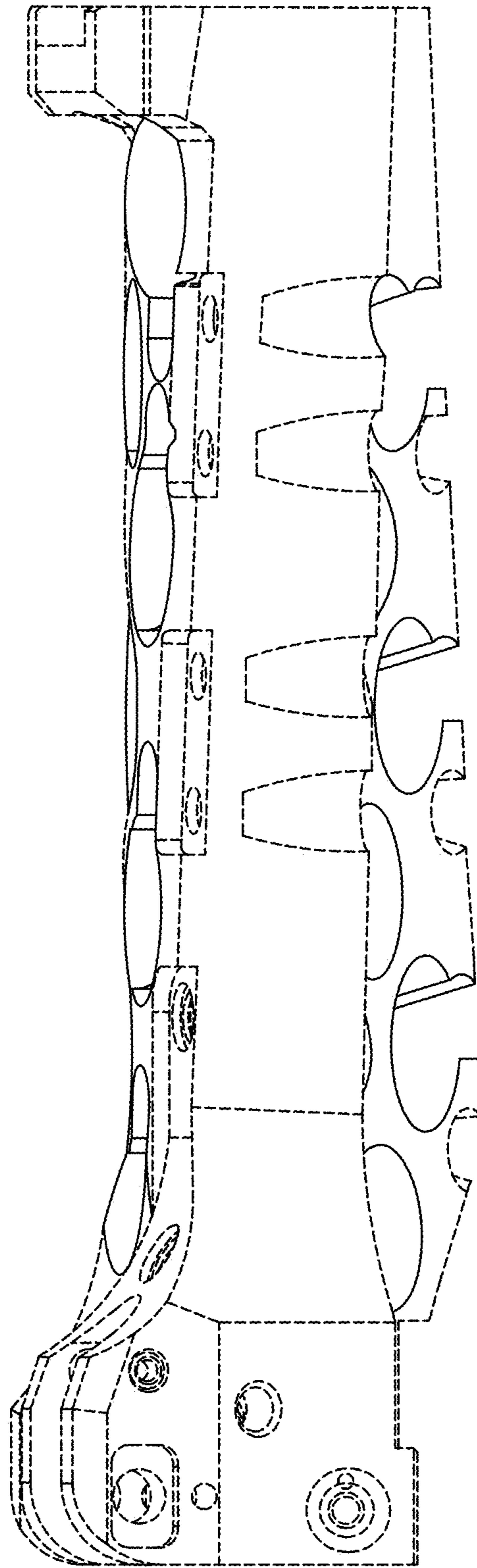


FIG. 5

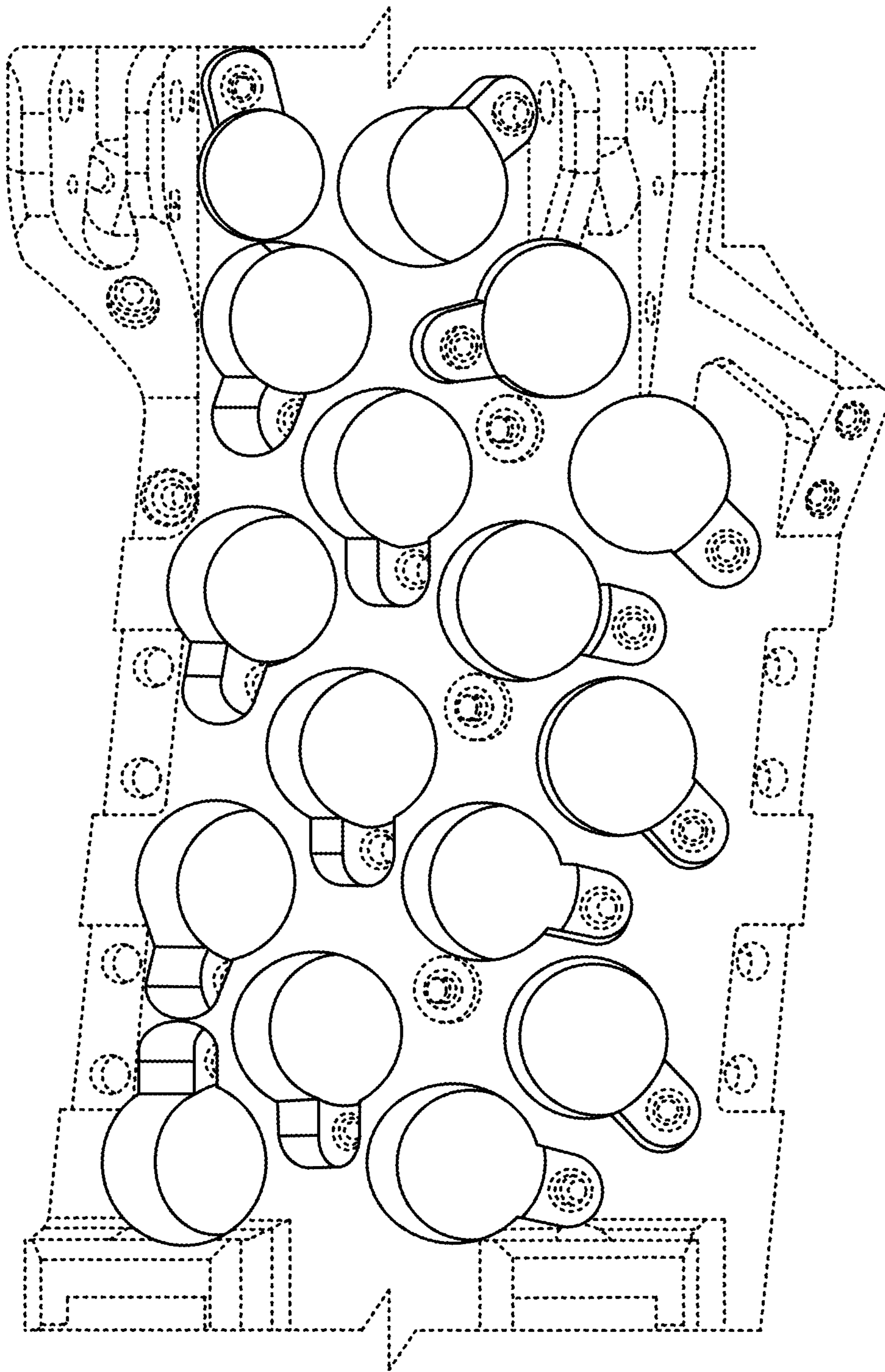


FIG. 6

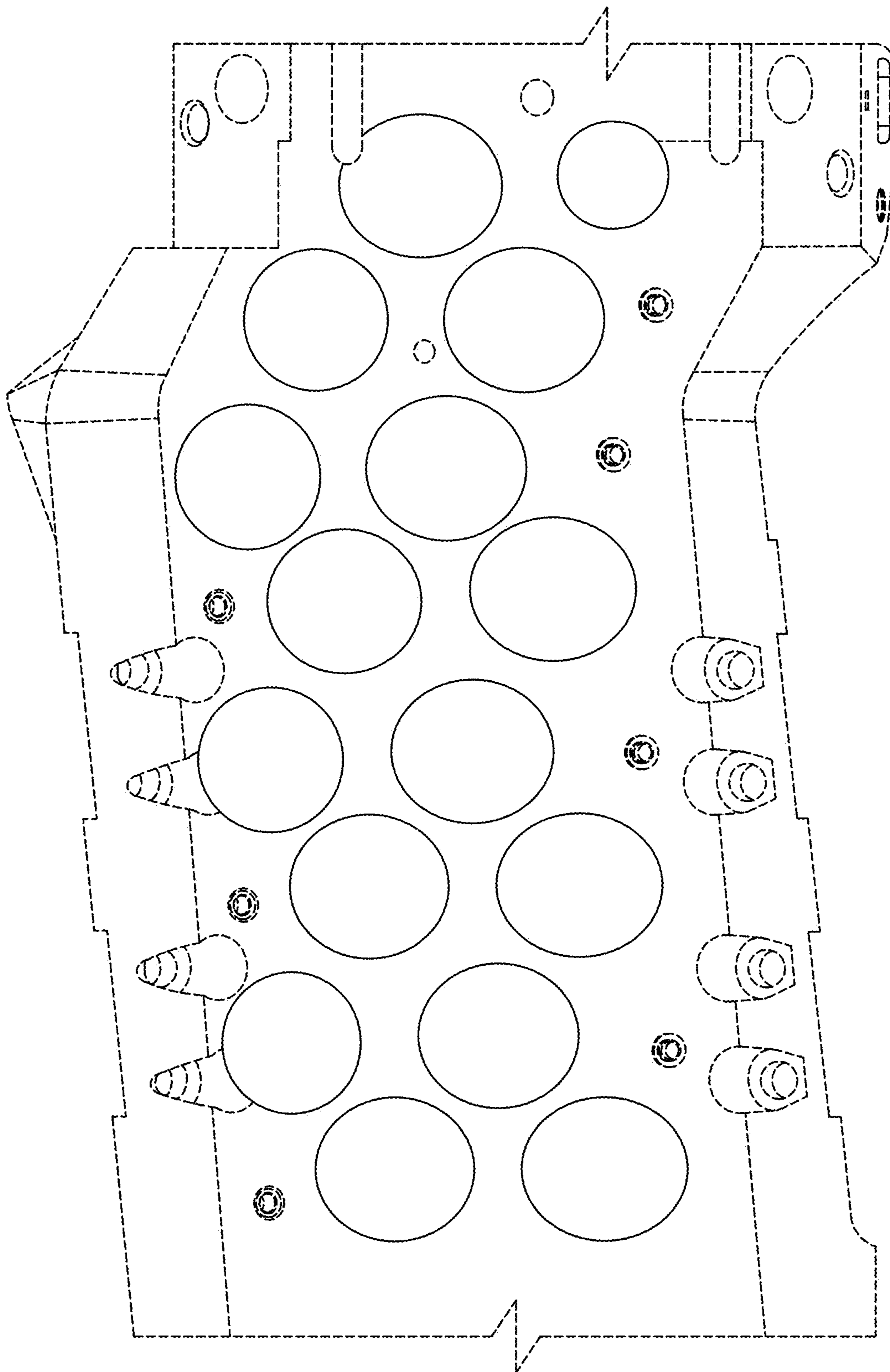


FIG. 7