



US00D899773S

(12) **United States Design Patent** (10) **Patent No.:** **US D899,773 S**
Hu (45) **Date of Patent:** **** Oct. 27, 2020**

(54) **STORAGE BOX**

(71) Applicant: **Aoteng Hu**, Putian (CN)

(72) Inventor: **Aoteng Hu**, Putian (CN)

(**) Term: **15 Years**

(21) Appl. No.: **29/738,935**

(22) Filed: **Jun. 22, 2020**

(51) **LOC (12) Cl.** **03-01**

(52) **U.S. Cl.**
USPC **D3/304**

(58) **Field of Classification Search**
USPC D6/672, 675, 682, 683; D3/304, 307,
D3/308, 309, 315
CPC B65D 1/00; B65D 1/22; B65D 2585/00;
B65D 2588/00; B65D 11/00; B65D 13/00
See application file for complete search history.

(56) **References Cited**

U.S. PATENT DOCUMENTS

3,736,035	A *	5/1973	Brown	A47B 97/001 312/107
3,854,783	A *	12/1974	Teranishi	A47B 87/0253 312/108
3,955,702	A *	5/1976	Lundy	F21V 17/101 220/4.28
3,974,934	A *	8/1976	Rohner	B65D 11/1893 220/4.28
4,433,788	A *	2/1984	Erlam	H02B 1/30 211/189
4,572,597	A *	2/1986	Voigt	H05K 5/04 312/257.1

D283,087	S *	3/1986	Lutz	D6/314
D341,055	S *	11/1993	Wells	D7/350.1
D341,288	S *	11/1993	Fielding	D7/350.1
D393,381	S *	4/1998	Santoro	D6/675.1
D452,153	S *	12/2001	Dardashti	D6/629
D590,248	S *	4/2009	Mu	D9/415
D675,020	S *	1/2013	Mu	D3/302
D787,174	S *	5/2017	Oie et al.		
D841,328	S *	2/2019	Wilcox	D3/304
D866,973	S *	11/2019	Snell	D3/314
D876,950	S	3/2020	Dietvorst et al.		
2019/0382066	A1 *	12/2019	Yoshida	B62J 9/00
2020/0055668	A1 *	2/2020	Strong	B65D 90/02
2020/0140139	A1 *	5/2020	Lilholt	B65D 11/00
2020/0198867	A1 *	6/2020	Nakamichi	B65D 81/053
2020/0239225	A1 *	7/2020	Van Der Berg	B65D 88/524
2020/0277103	A1 *	9/2020	Kiolbasa	B65D 19/385

* cited by examiner

Primary Examiner — Kelley A Donnelly

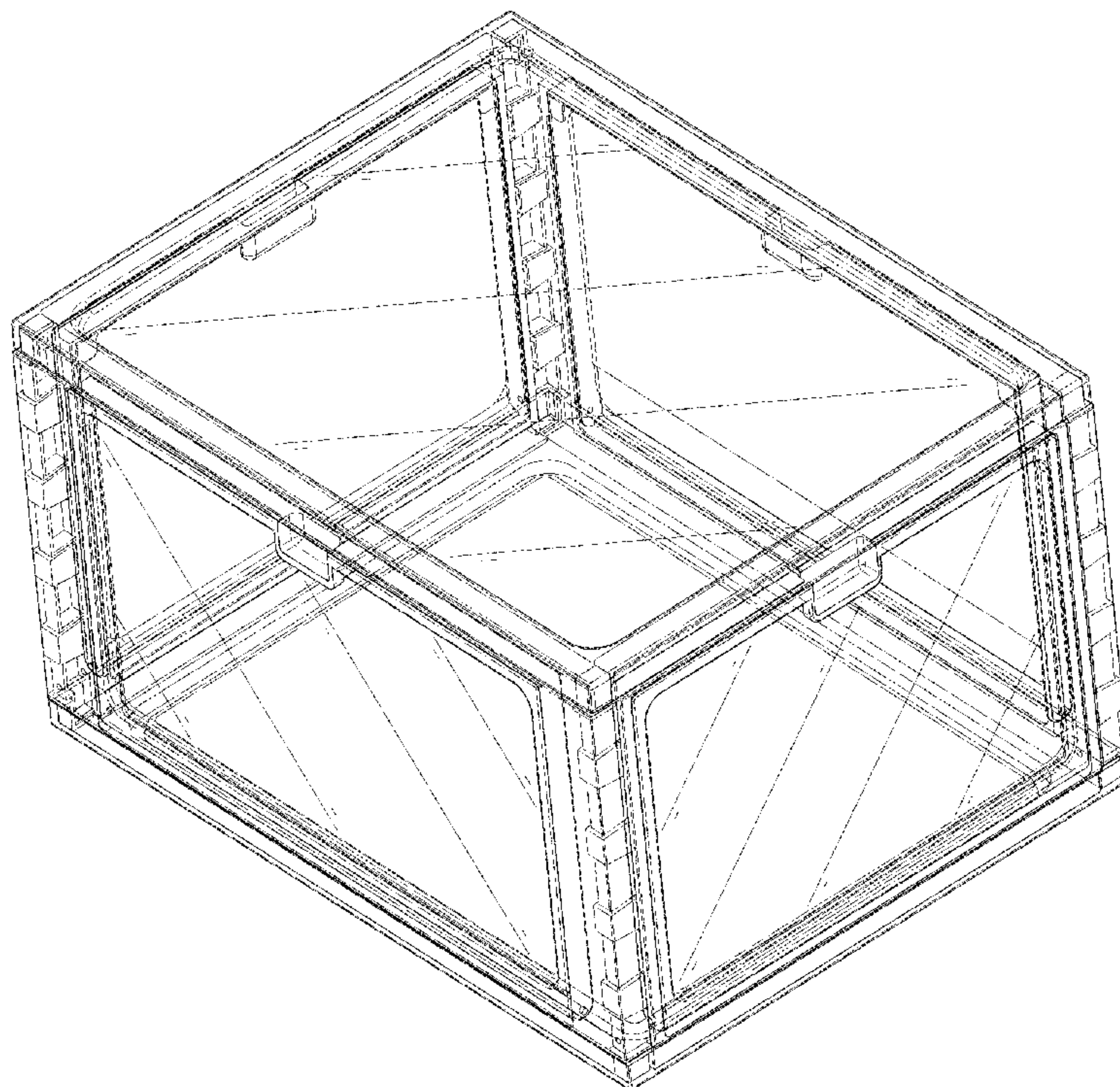
(57) **CLAIM**

The ornamental design for a storage box, as shown and described.

DESCRIPTION

FIG. 1 is a perspective view of a storage box showing my new design;
FIG. 2 is another perspective view thereof;
FIG. 3 is a front elevational view thereof;
FIG. 4 is a rear elevational view thereof;
FIG. 5 is a left side elevational view thereof;
FIG. 6 is a right side elevational view thereof;
FIG. 7 is a top plan view thereof; and,
FIG. 8 is a bottom plan view thereof.

1 Claim, 8 Drawing Sheets



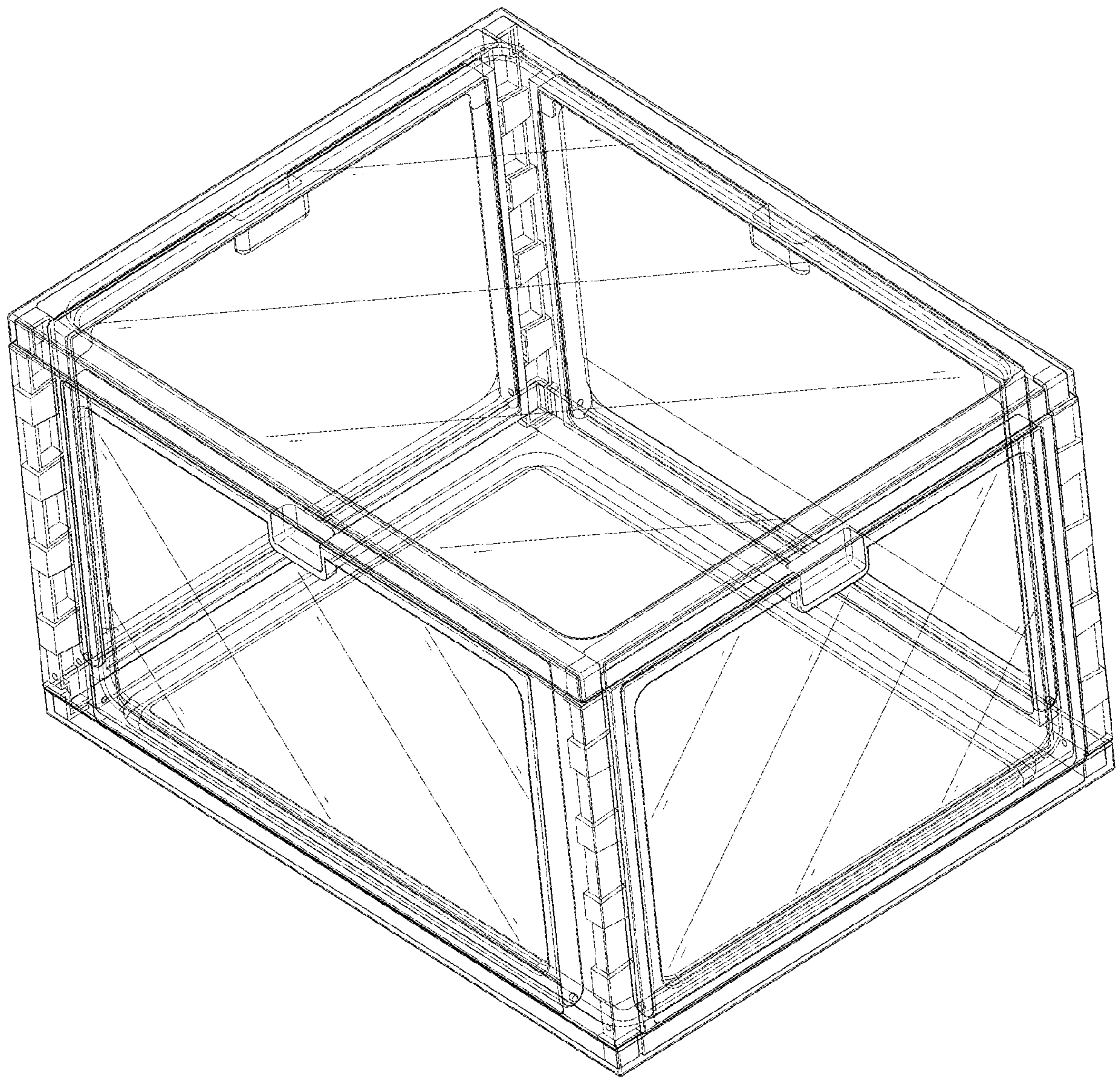


FIG. 1

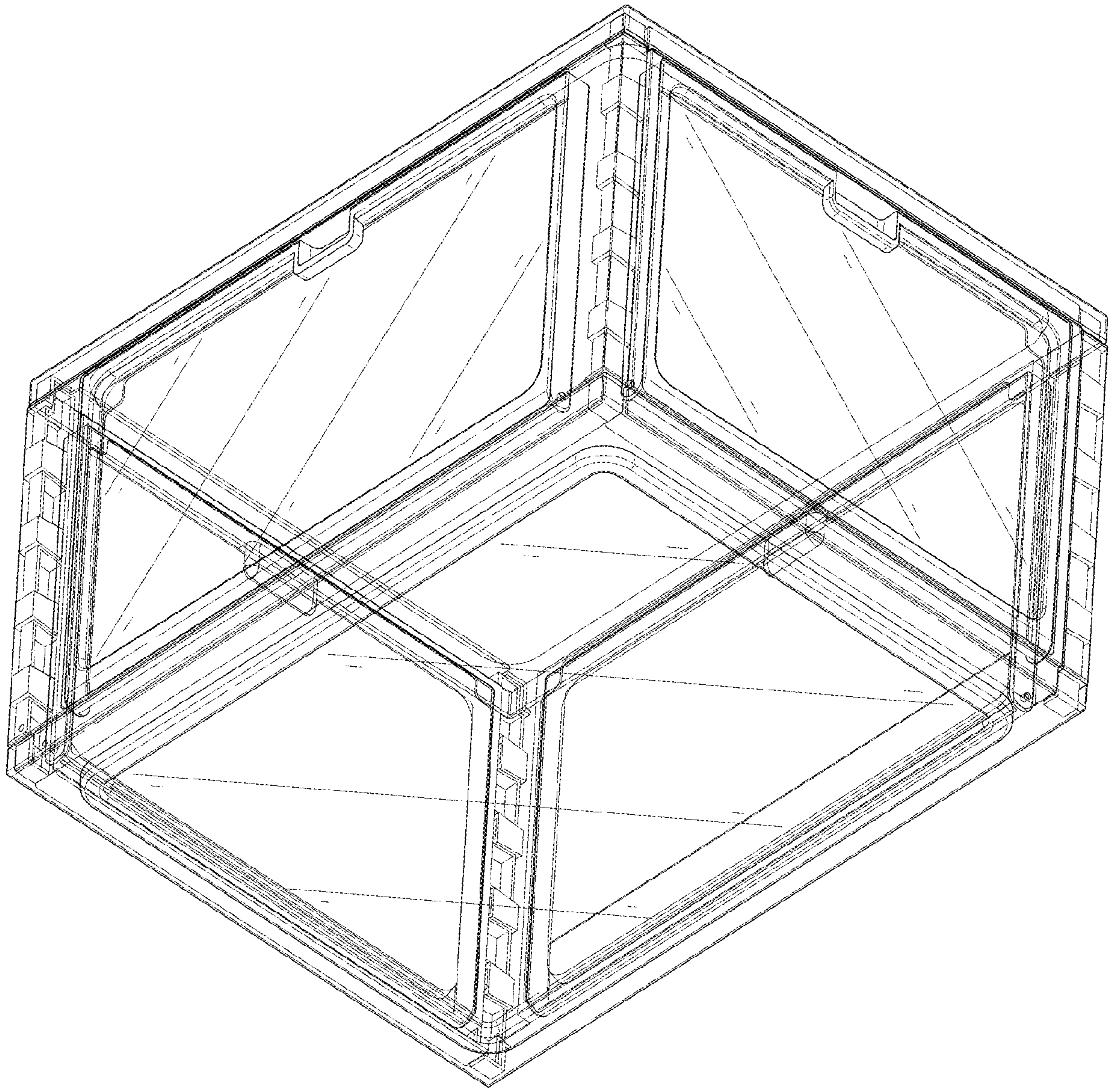


FIG. 2

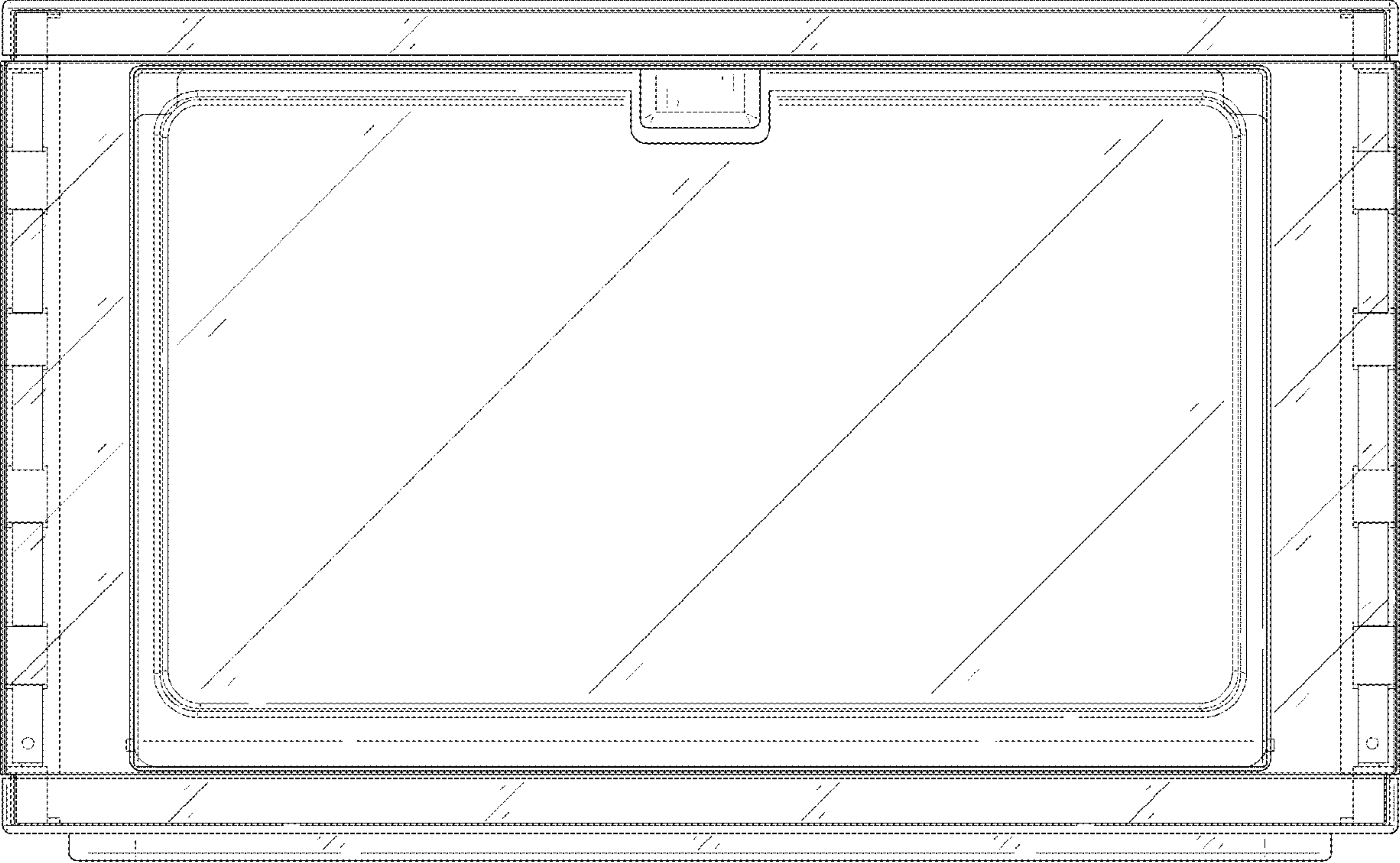


FIG. 3

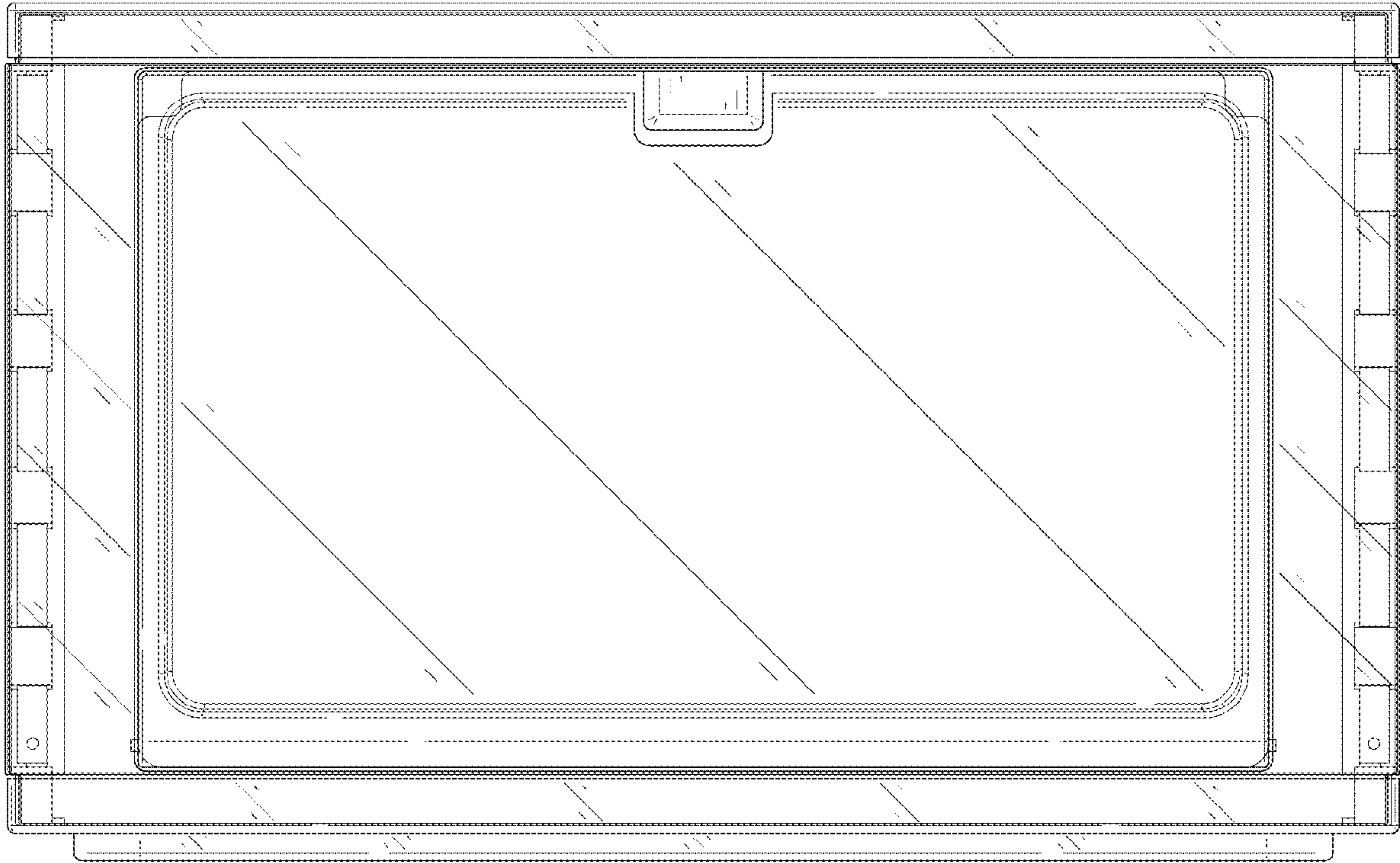


FIG. 4

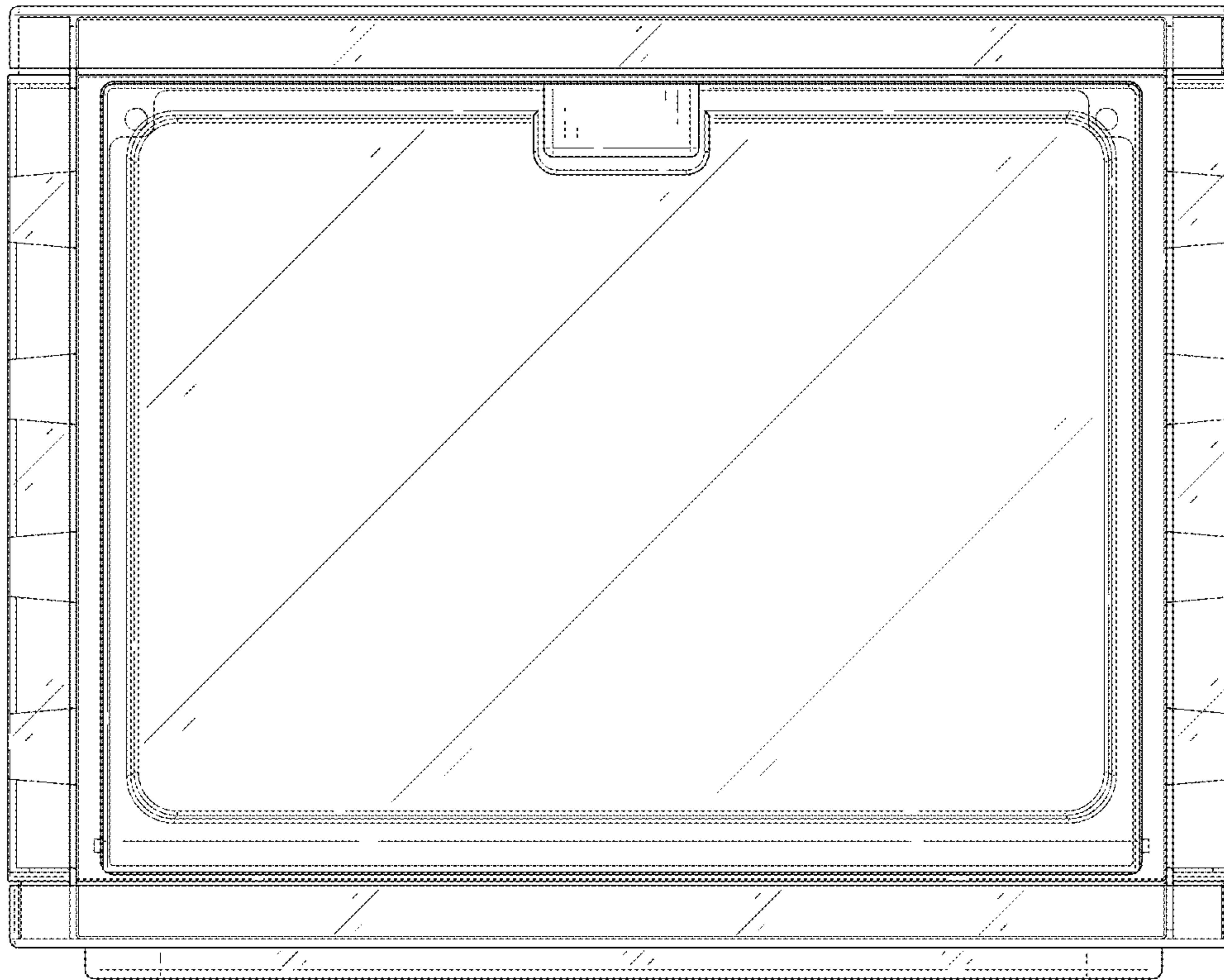


FIG. 5

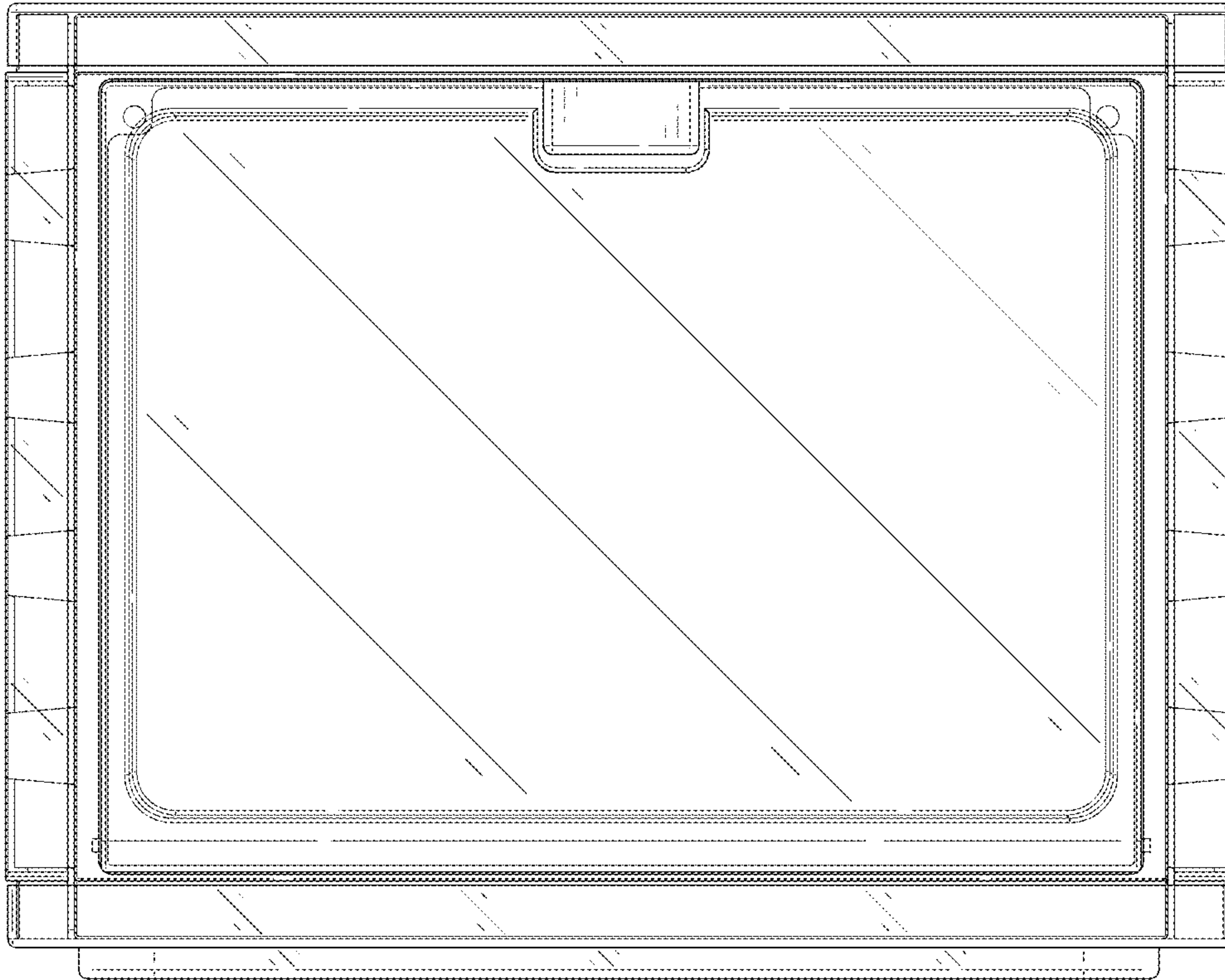


FIG. 6

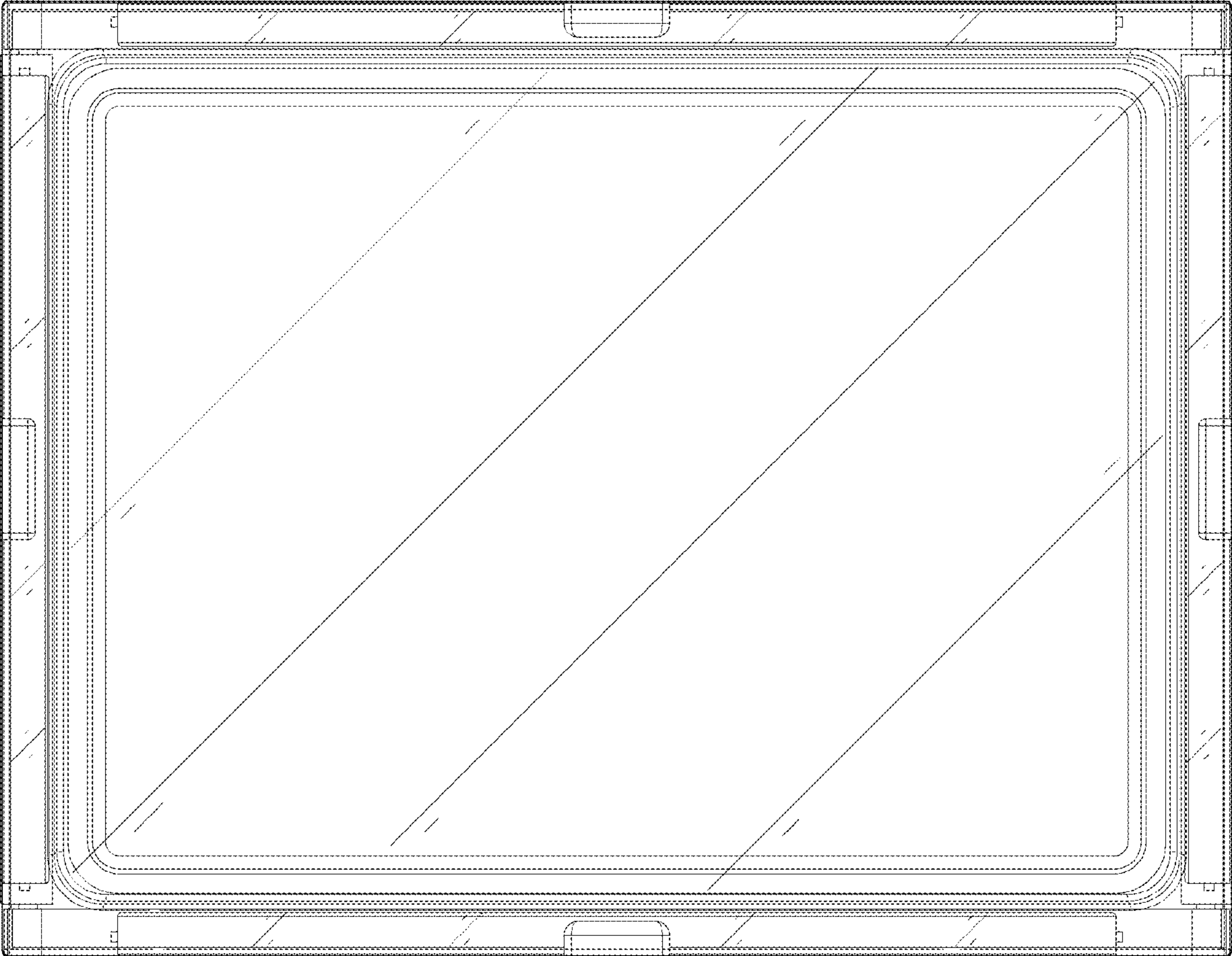


FIG. 7

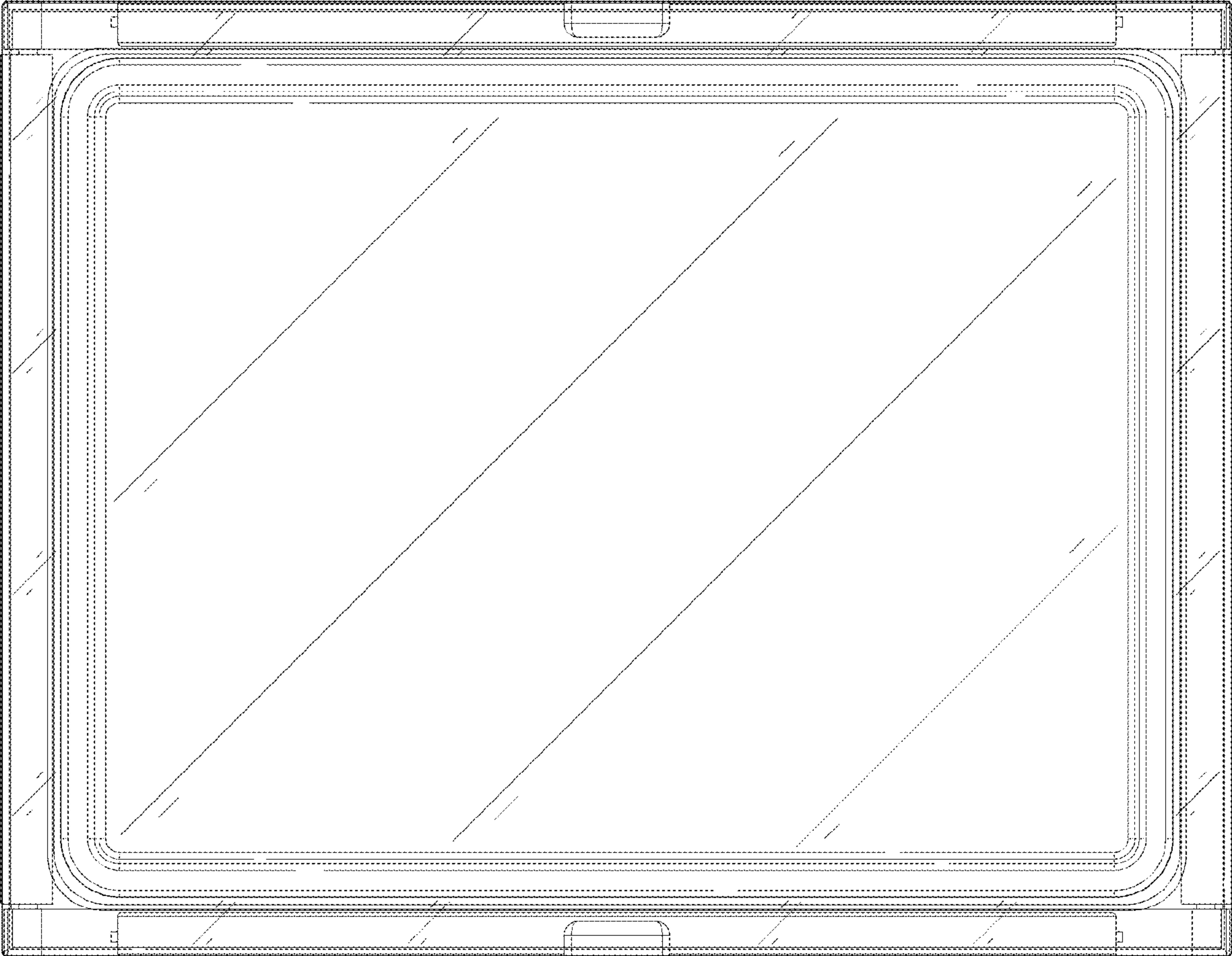


FIG. 8