



US00D899771S

(12) **United States Design Patent**  
**Chinlund**

(10) **Patent No.:** **US D899,771 S**

(45) **Date of Patent:** **\*\* Oct. 27, 2020**

(54) **DEVICE FOR DISPLAY AND STORAGE OF JEWELRY**

(71) Applicant: **LASSO IT, LLC**, Chicago, IL (US)

(72) Inventor: **Colleen A. Chinlund**, Chicago, IL (US)

(73) Assignee: **LASSO IT, LLC**, Chicago, IL (US)

(\*\*) Term: **15 Years**

(21) Appl. No.: **29/613,205**

(22) Filed: **Aug. 8, 2017**

(51) **LOC (12) Cl.** ..... **03-01**

(52) **U.S. Cl.**  
USPC ..... **D3/294**

(58) **Field of Classification Search**  
USPC ..... D3/203.1, 203.3, 205, 260, 272, 273,  
D3/274, 275, 276, 279, 280, 281, 282,  
(Continued)

(56) **References Cited**

**U.S. PATENT DOCUMENTS**

D126,096 S \* 3/1941 Mautner ..... D3/302  
4,120,394 A 10/1978 Soltes  
(Continued)

**FOREIGN PATENT DOCUMENTS**

ES 1060997 U 12/2005

**OTHER PUBLICATIONS**

Lasso original, posted at shoplasso.com, no posting date, online,  
URL:<https://shoplasso.com/products/lasso> (Year: 2019).\*  
(Continued)

*Primary Examiner* — Lilyana Bekic  
*Assistant Examiner* — Mary Shannon Malley  
(74) *Attorney, Agent, or Firm* — Marshall, Gerstein &  
Borun LLP

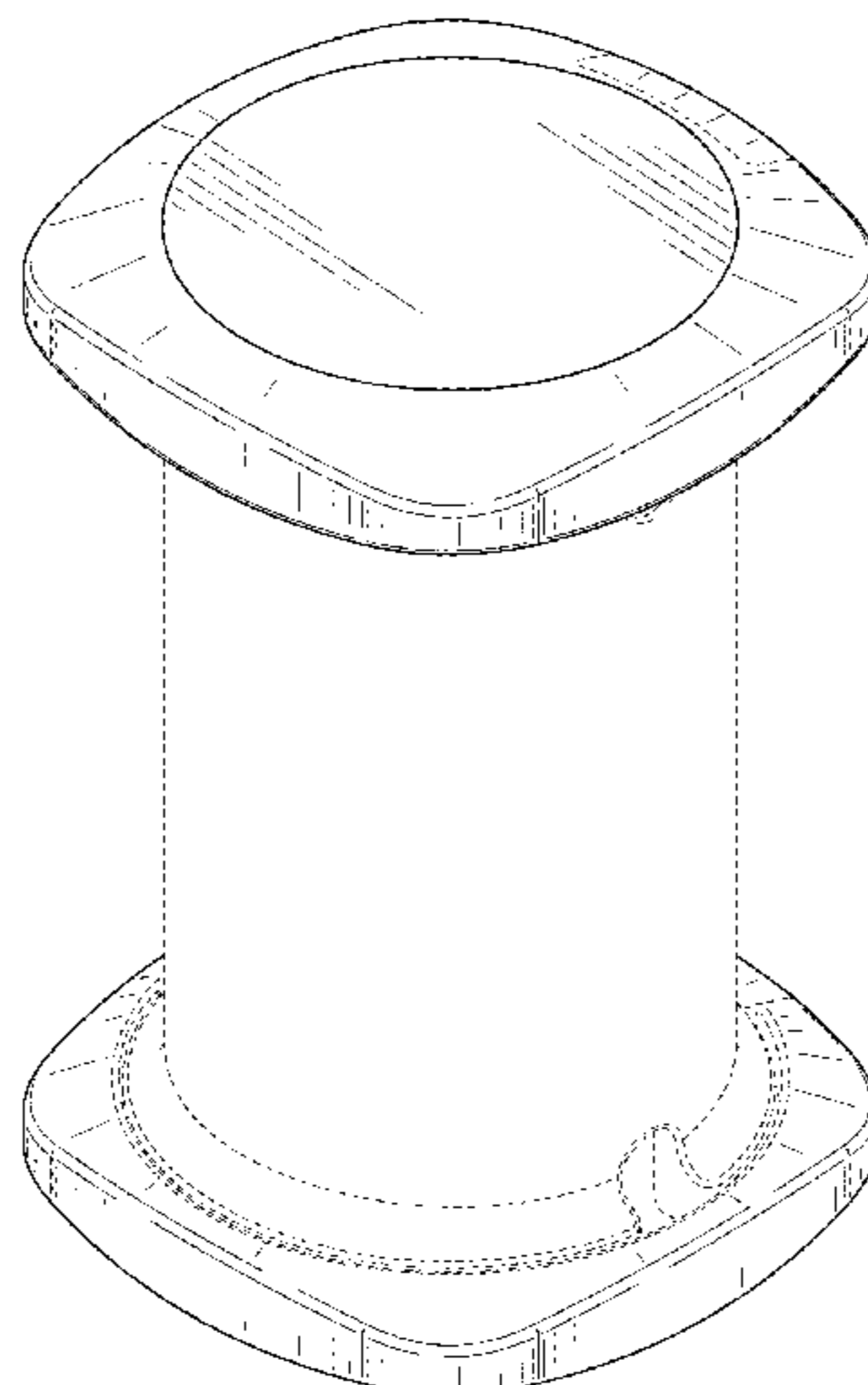
(57) **CLAIM**

The ornamental design for a device for display and storage of jewelry, as shown and described.

**DESCRIPTION**

FIG. 1 is a perspective view of a device for display and storage of jewelry showing my new design;  
FIG. 2 is a front view of the device for display and storage of jewelry of FIG. 1;  
FIG. 3 is a rear view of the device for display and storage of jewelry of FIG. 1;  
FIG. 4 is a right side view of the device for display and storage of jewelry of FIG. 1;  
FIG. 5 is a left side view of the device for display and storage of jewelry of FIG. 1;  
FIG. 6 is a top view of the device for display and storage of jewelry of FIG. 1;  
FIG. 7 is a bottom view of the device for display and storage of jewelry of FIG. 1;  
FIG. 8 is a perspective view of the device for display and storage of jewelry of FIG. 1 with top and bottom covers in open positions;  
FIG. 9 is a perspective view of second embodiment of a device for display and storage of jewelry;  
FIG. 10 is a front view of the device for display and storage of jewelry of FIG. 9;  
FIG. 11 is a rear view of the device for display and storage of jewelry of FIG. 9;  
FIG. 12 is a right side view of the device for display and storage of jewelry of FIG. 9;  
FIG. 13 is a left side view of the device for display and storage of jewelry of FIG. 9;  
FIG. 14 is a top view of the device for display and storage of jewelry of FIG. 9; and,  
FIG. 15 is a bottom view of the device for display and storage of jewelry of FIG. 9.  
The broken lines within the shaded areas depict the edges where the lid meets the hinge, and form no part of the claimed design. The remaining broken lines depict portions of the device for display and storage of jewelry that form no part of the claimed design.

**1 Claim, 9 Drawing Sheets**



(58) **Field of Classification Search**

USPC ..... D3/283, 284, 292, 294, 295, 296, 297,  
 D3/302, 315, 319, 900, 901, 903, 905,  
 D3/254, 256, 904, 329; 206/278, 579,  
 206/213, 315.1; D28/38, 83; D14/315;  
 D26/58; D27/180, 183, 186, 187, 189,  
 D27/191; D9/420, 423, 418, 430, 743  
 CPC ..... A45C 5/04; A45C 15/04; A45C 11/00;  
 A45C 11/008; A45C 11/16; A45C 11/24;  
 A45C 13/02; A45C 2200/10; A63B  
 57/00; A63B 71/0036; A47F 7/02; A47F  
 7/03

See application file for complete search history.

6,672,463 B2 1/2004 Dashefsky  
 D505,546 S \* 5/2005 Lau ..... D3/273  
 D509,133 S \* 9/2005 Au ..... D3/294  
 D608,193 S \* 1/2010 Sanfilippo ..... D9/420  
 D624,331 S 9/2010 Kosten  
 7,789,224 B2 9/2010 Diamond  
 D665,197 S 8/2012 Allameh  
 D698,641 S \* 2/2014 Theisen ..... D9/418  
 D725,464 S \* 3/2015 Sawicki ..... D9/420  
 9,066,611 B1 6/2015 Bailey  
 D734,037 S 7/2015 Coon  
 D780,600 S \* 3/2017 Stuart ..... D3/302  
 D836,910 S \* 1/2019 Spiegel ..... D3/302  
 D848,831 S \* 5/2019 Mayer ..... D9/418  
 2006/0289321 A1\* 12/2006 Karfias ..... A45C 11/16  
 206/413  
 2011/0303562 A1\* 12/2011 Franklin ..... A45C 11/005  
 206/223

(56) **References Cited**

U.S. PATENT DOCUMENTS

4,919,286 A 4/1990 Agbay, Sr.  
 5,211,284 A 5/1993 Parks  
 5,531,349 A 7/1996 Wojcik et al.  
 5,758,936 A 6/1998 Baughan  
 D401,146 S \* 11/1998 Srinual ..... D9/423  
 5,924,570 A 7/1999 Sickles  
 D412,398 S \* 8/1999 Watabe ..... D3/294

OTHER PUBLICATIONS

Lasso, posted at facebook.com, first posted Jan. 24, 2018, online,  
 URL: <https://www.facebook.com/shoplasso/photos/a.1585308751583613/1585308548250300/?type=3&theater> (Year:  
 2018).\*

\* cited by examiner

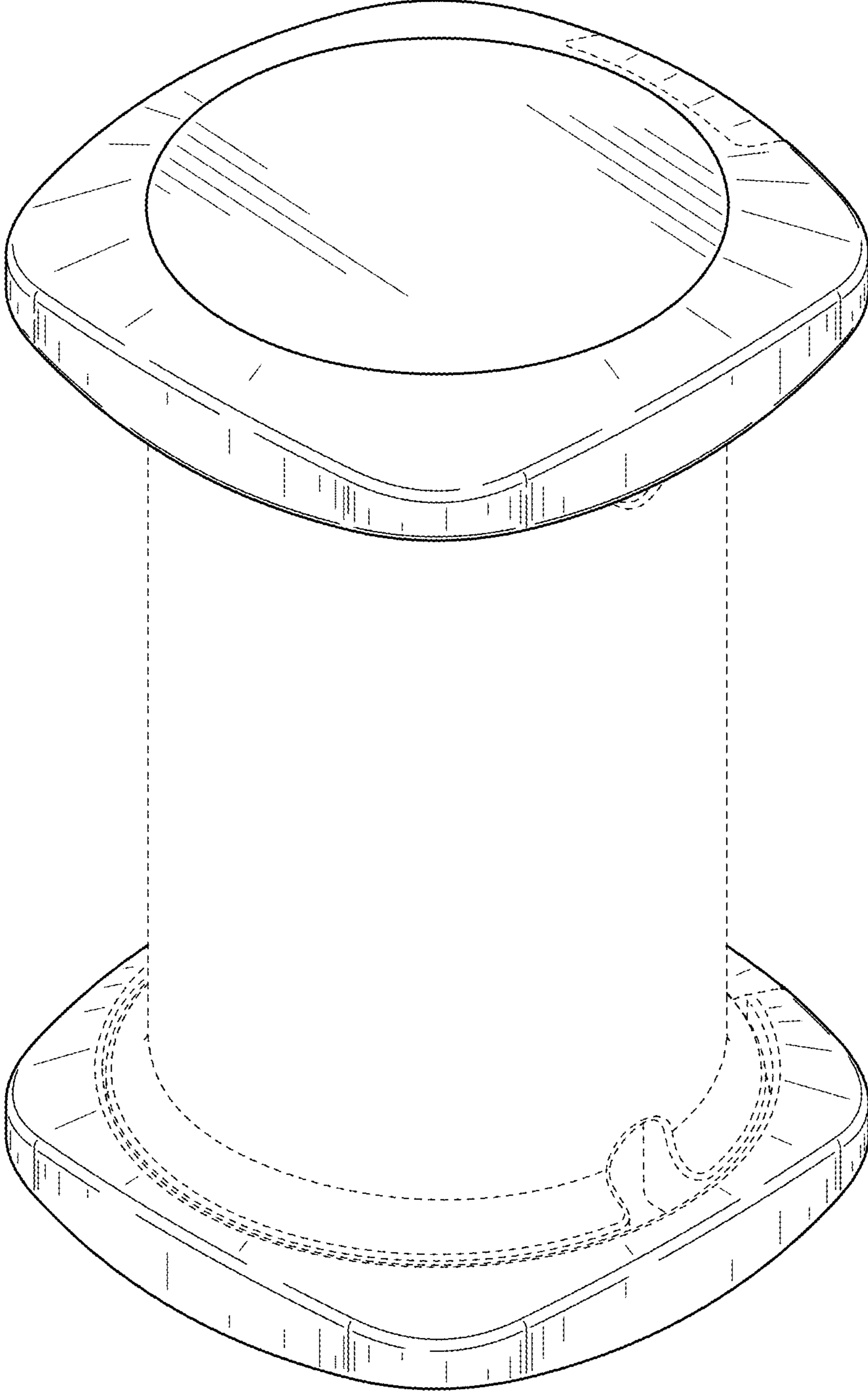


FIG. 1

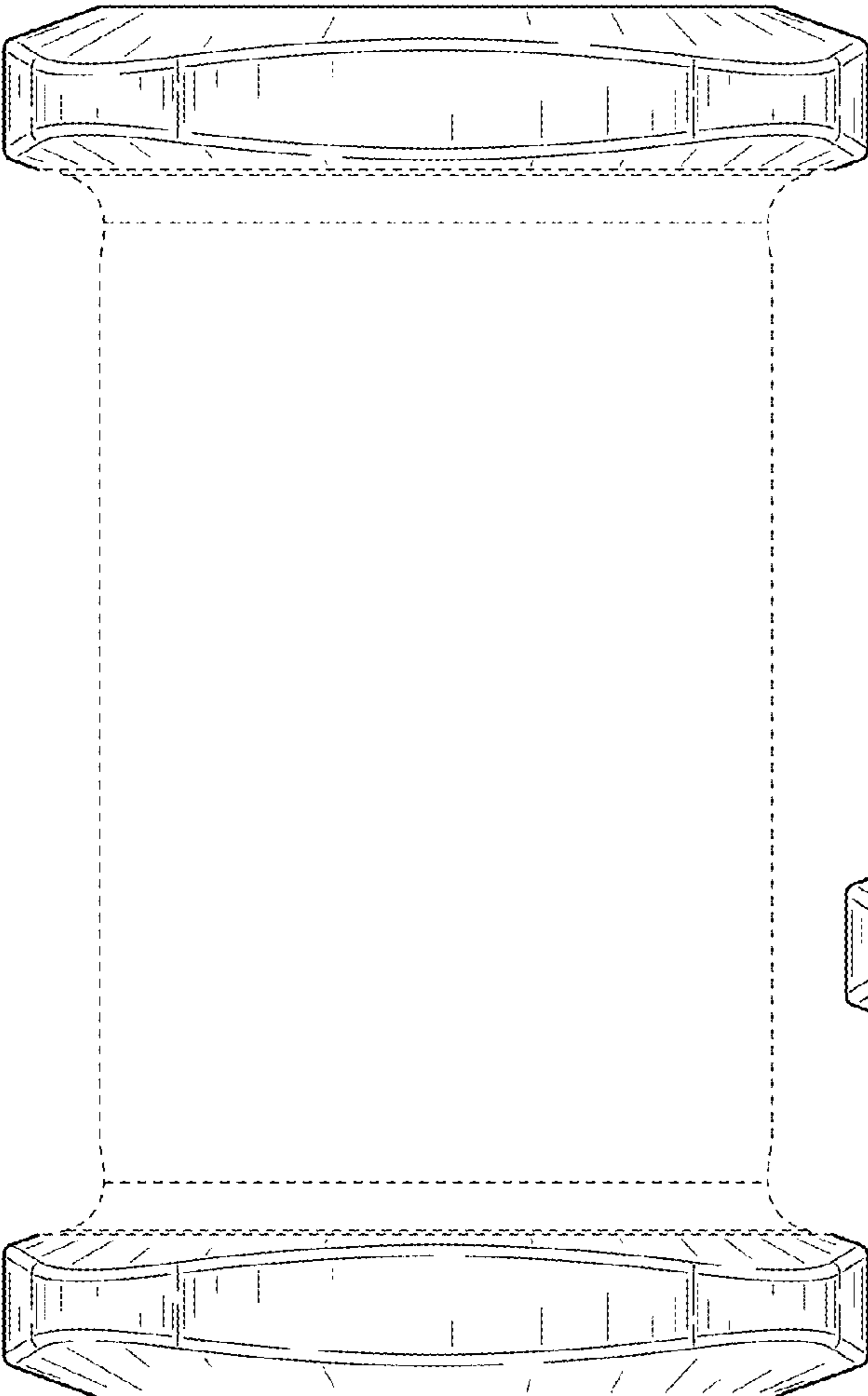


FIG. 2

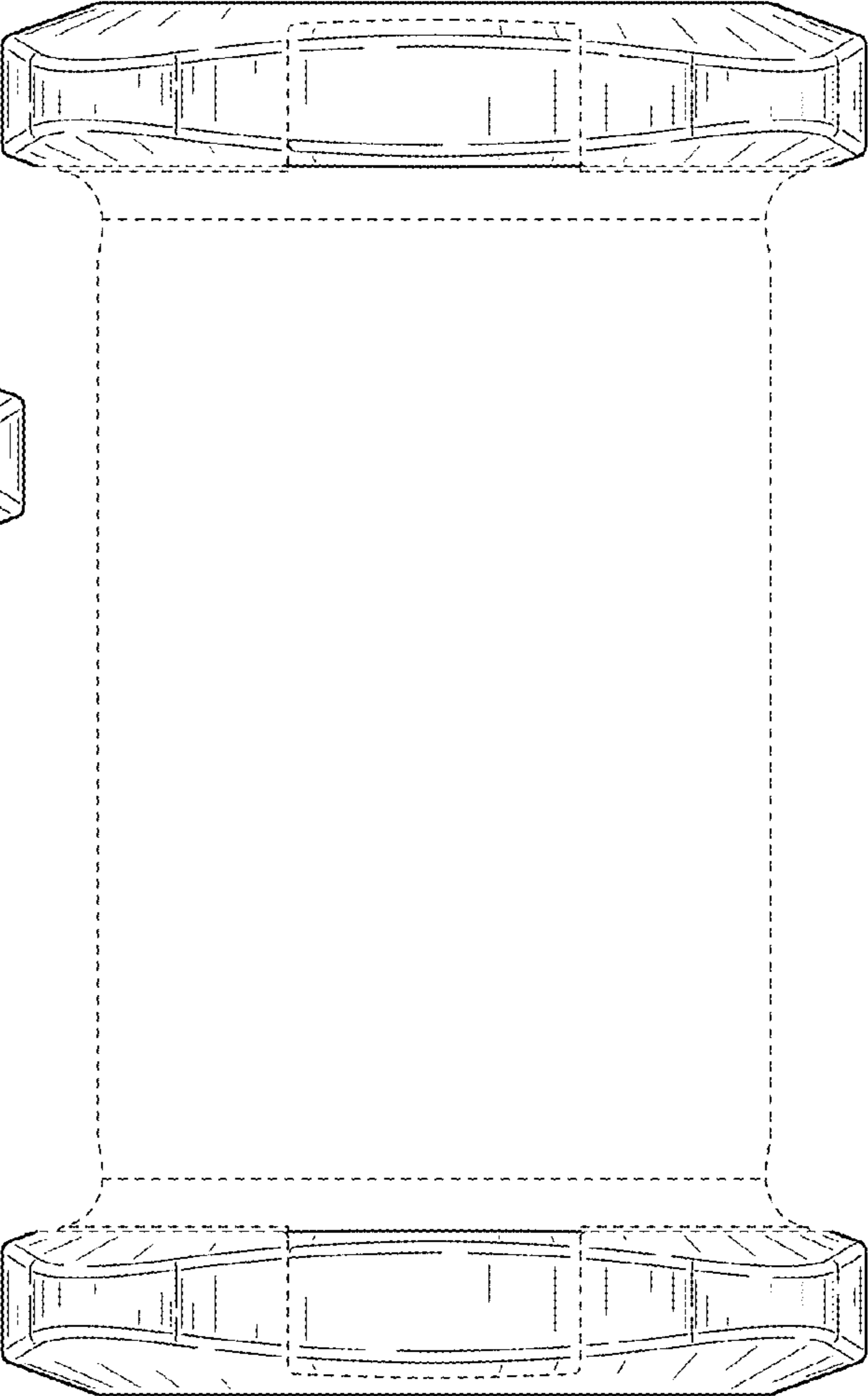


FIG. 3

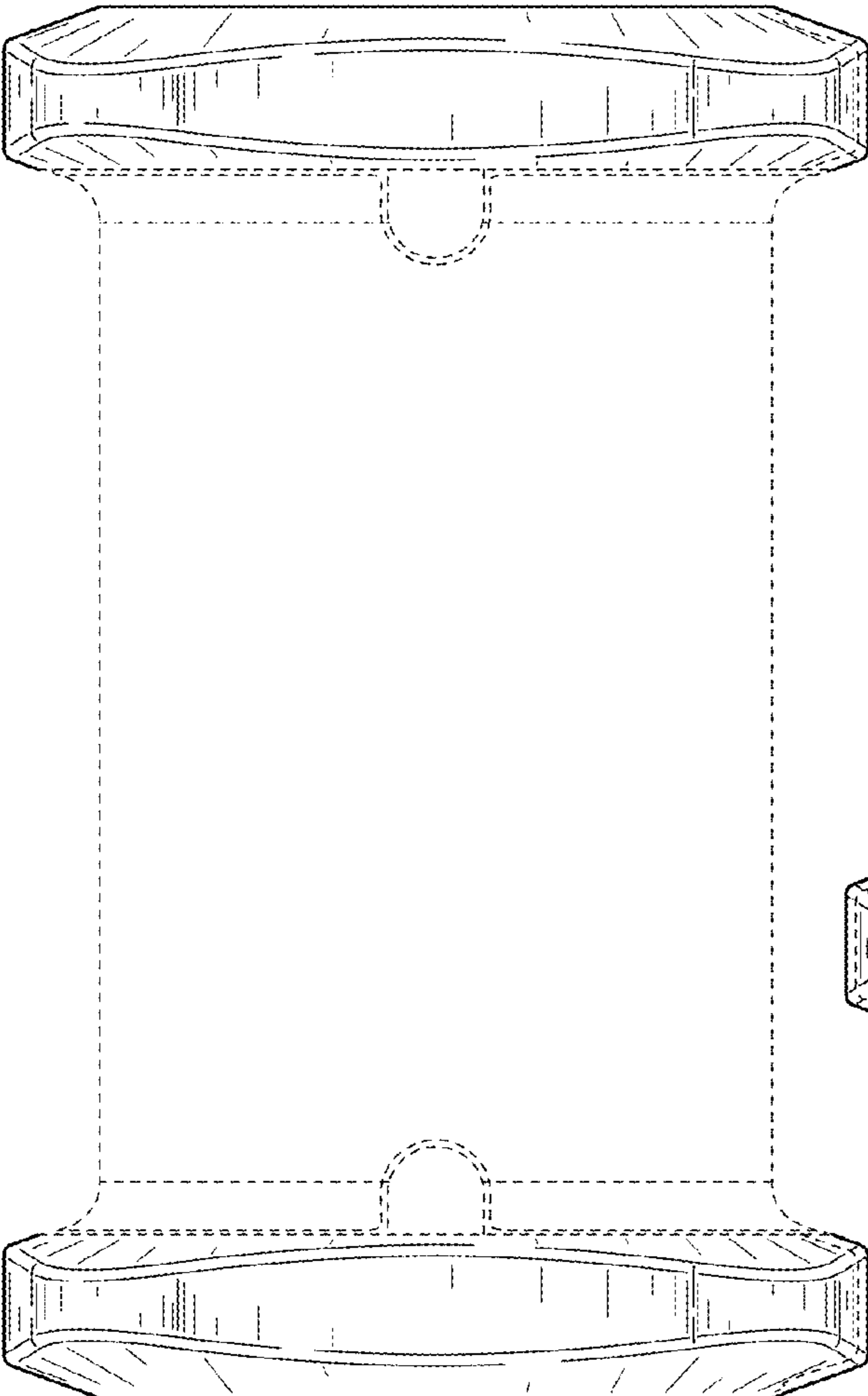


FIG. 4

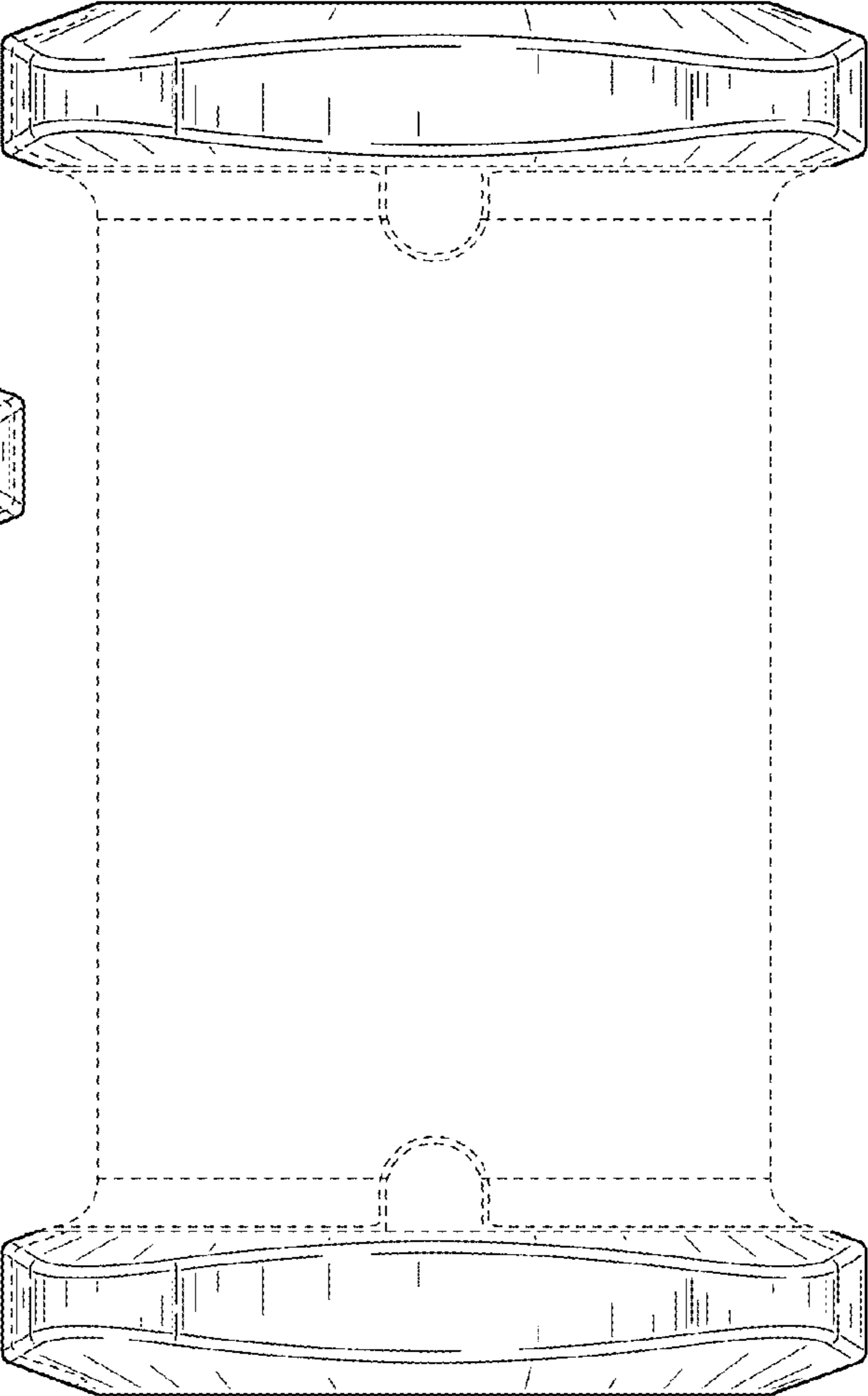


FIG. 5

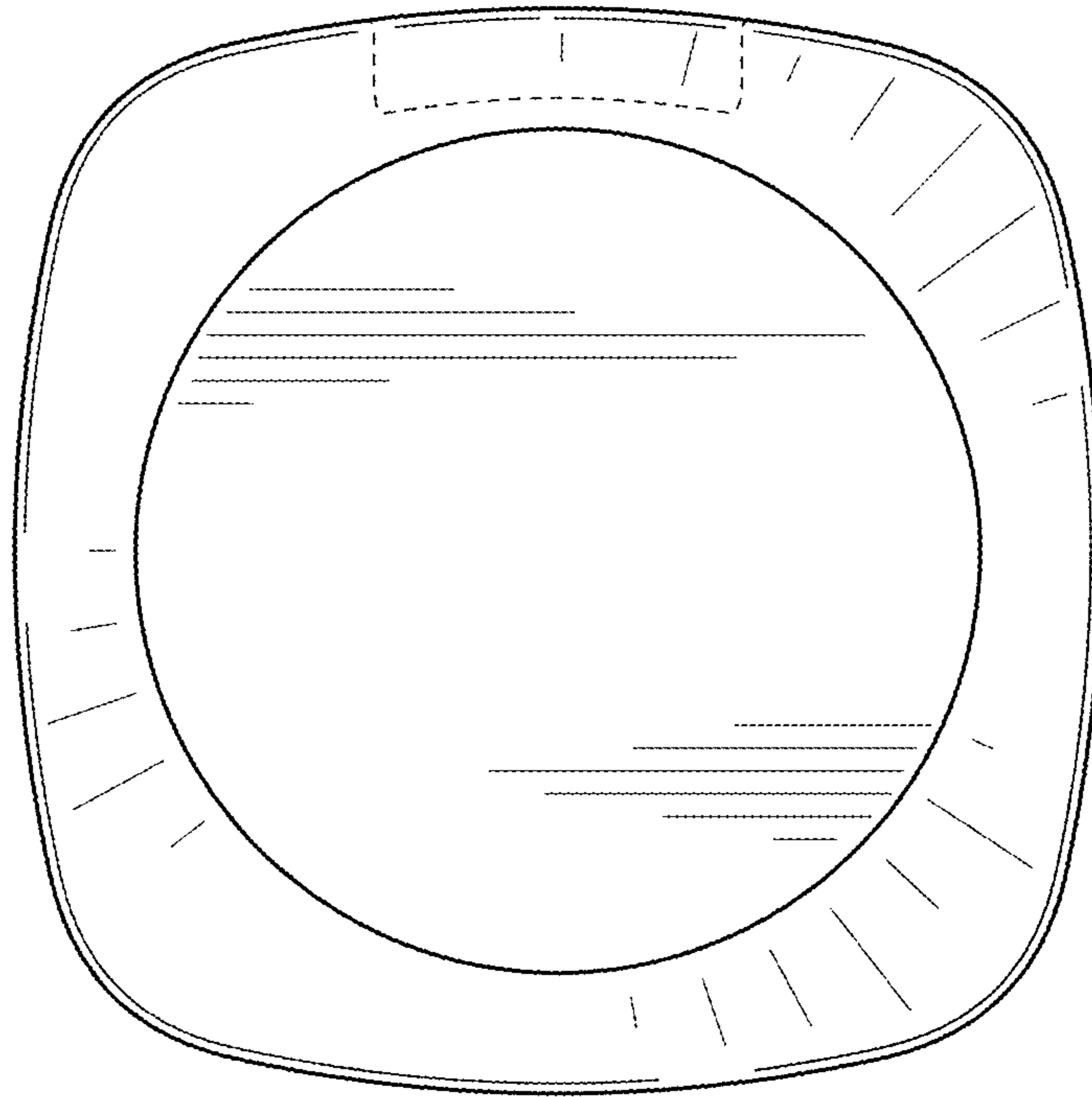


FIG. 6

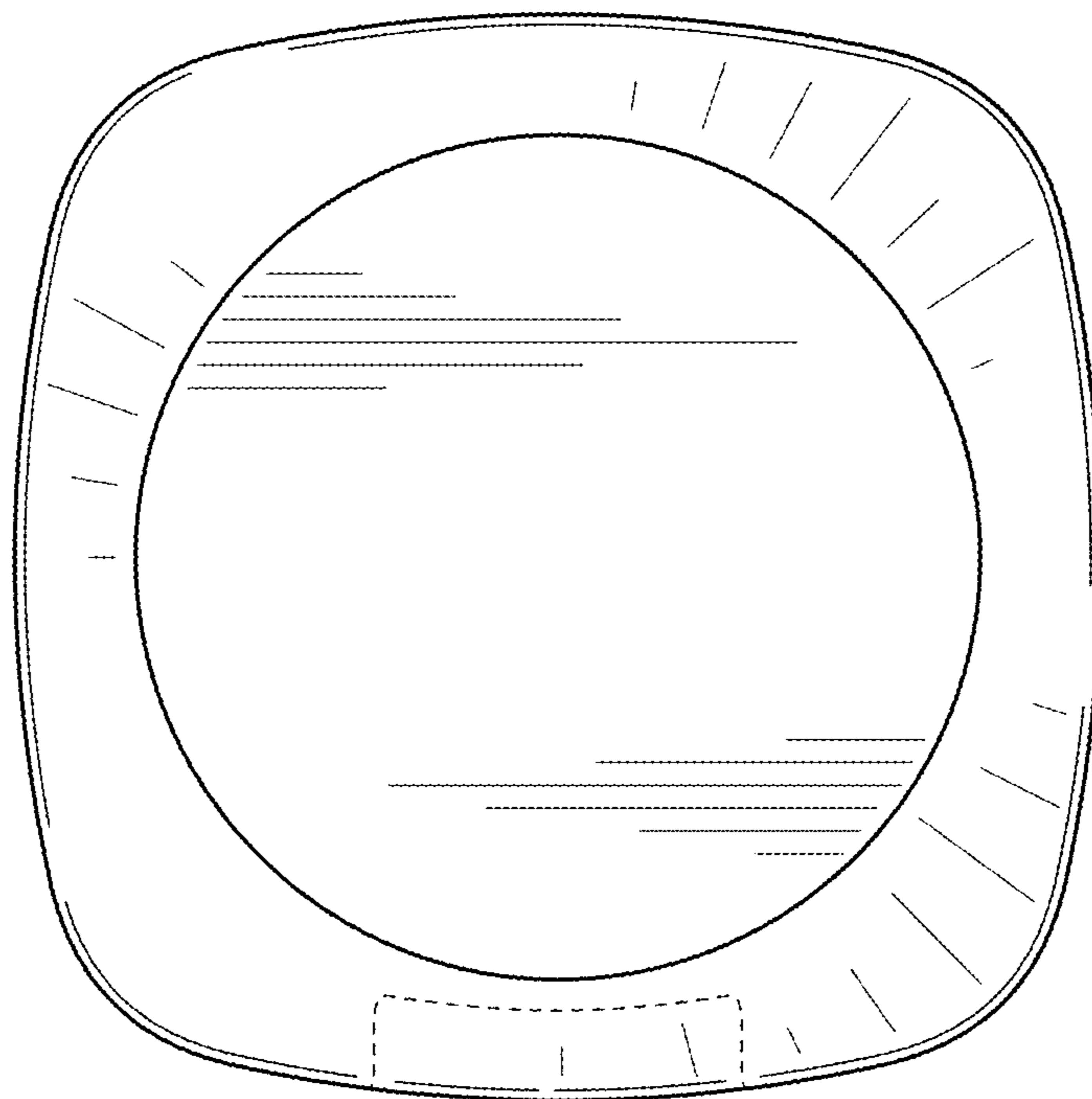


FIG. 7

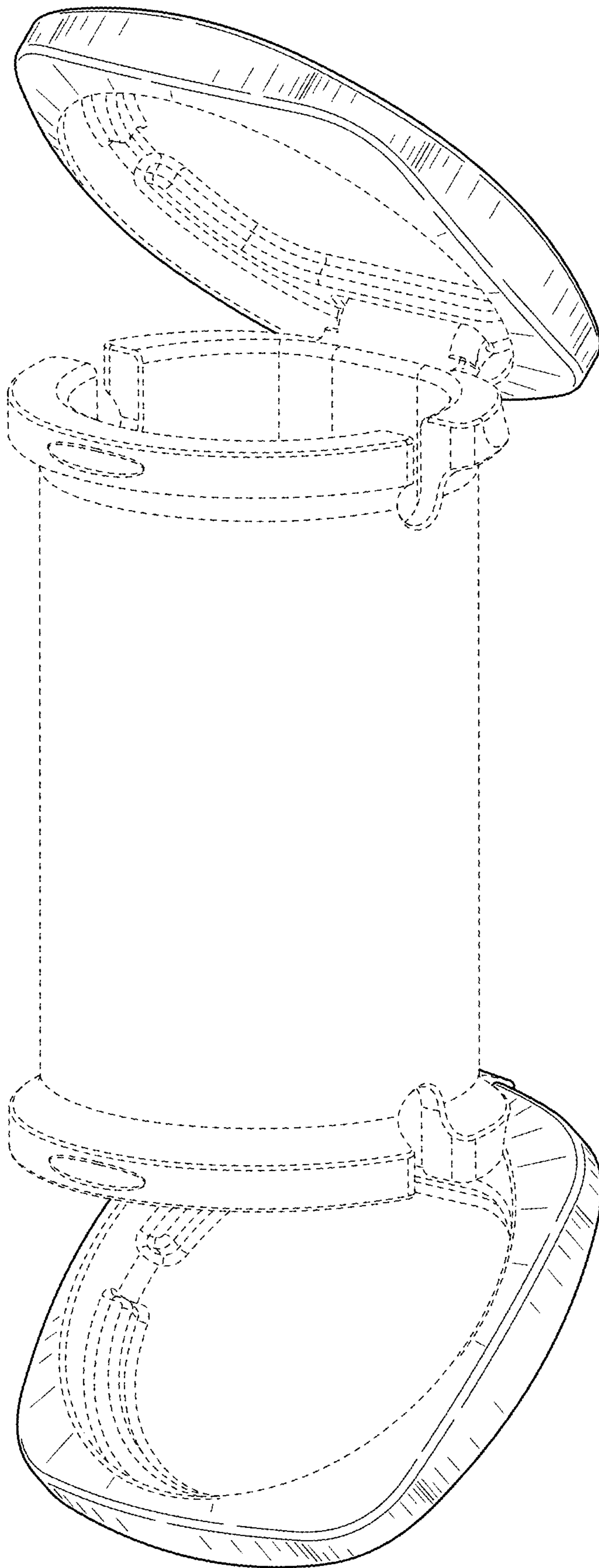


FIG. 8

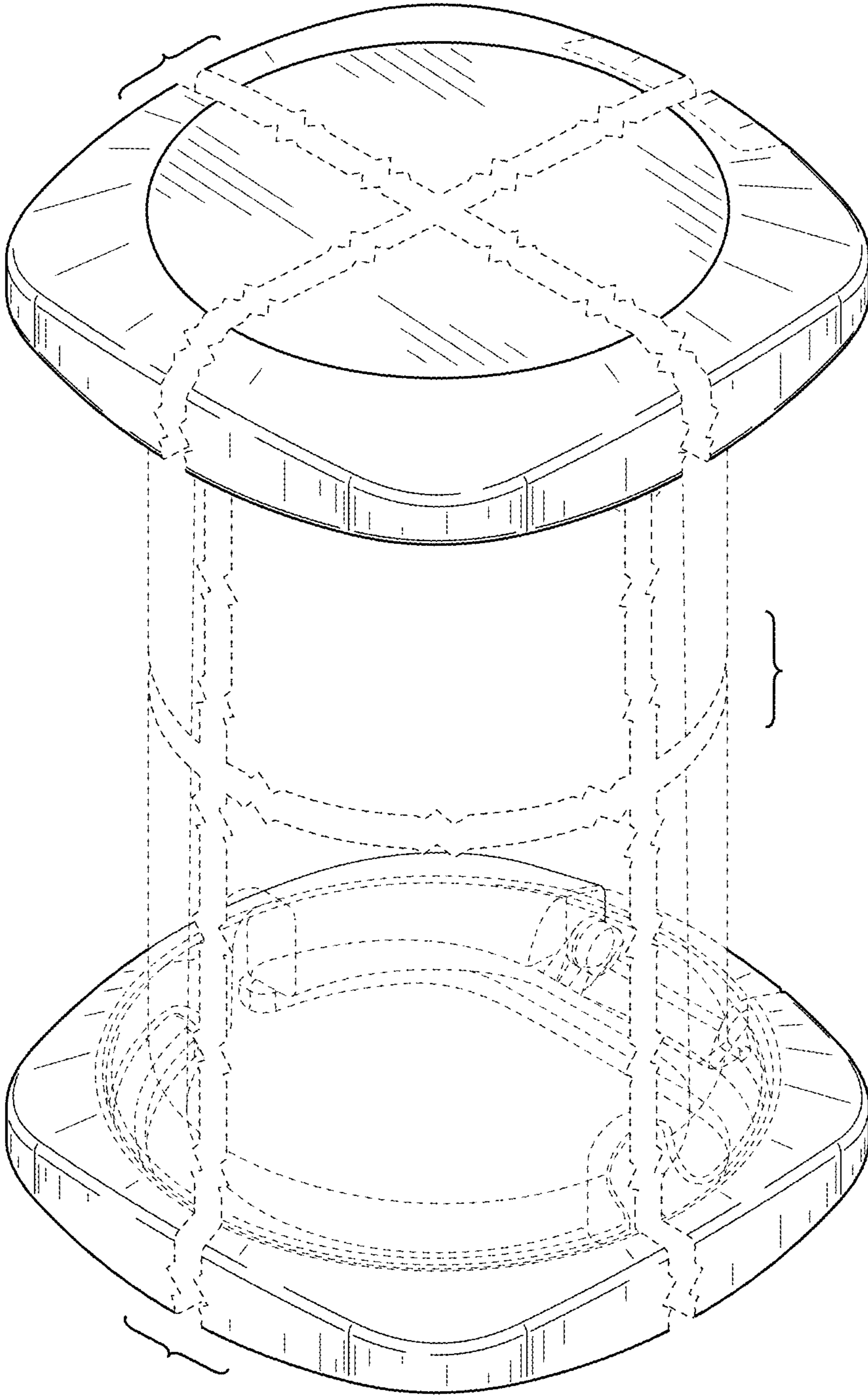


FIG. 9



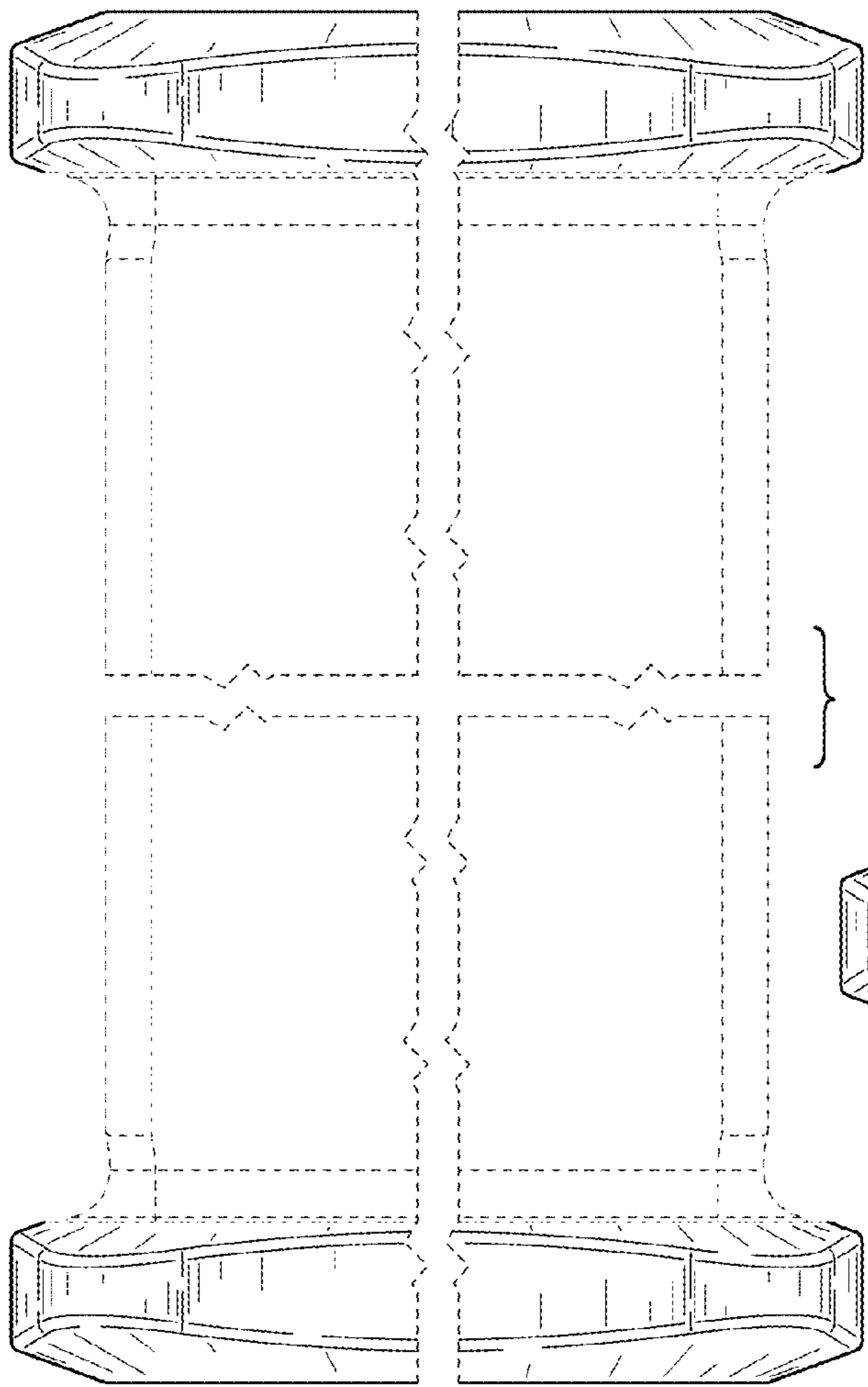


FIG. 10

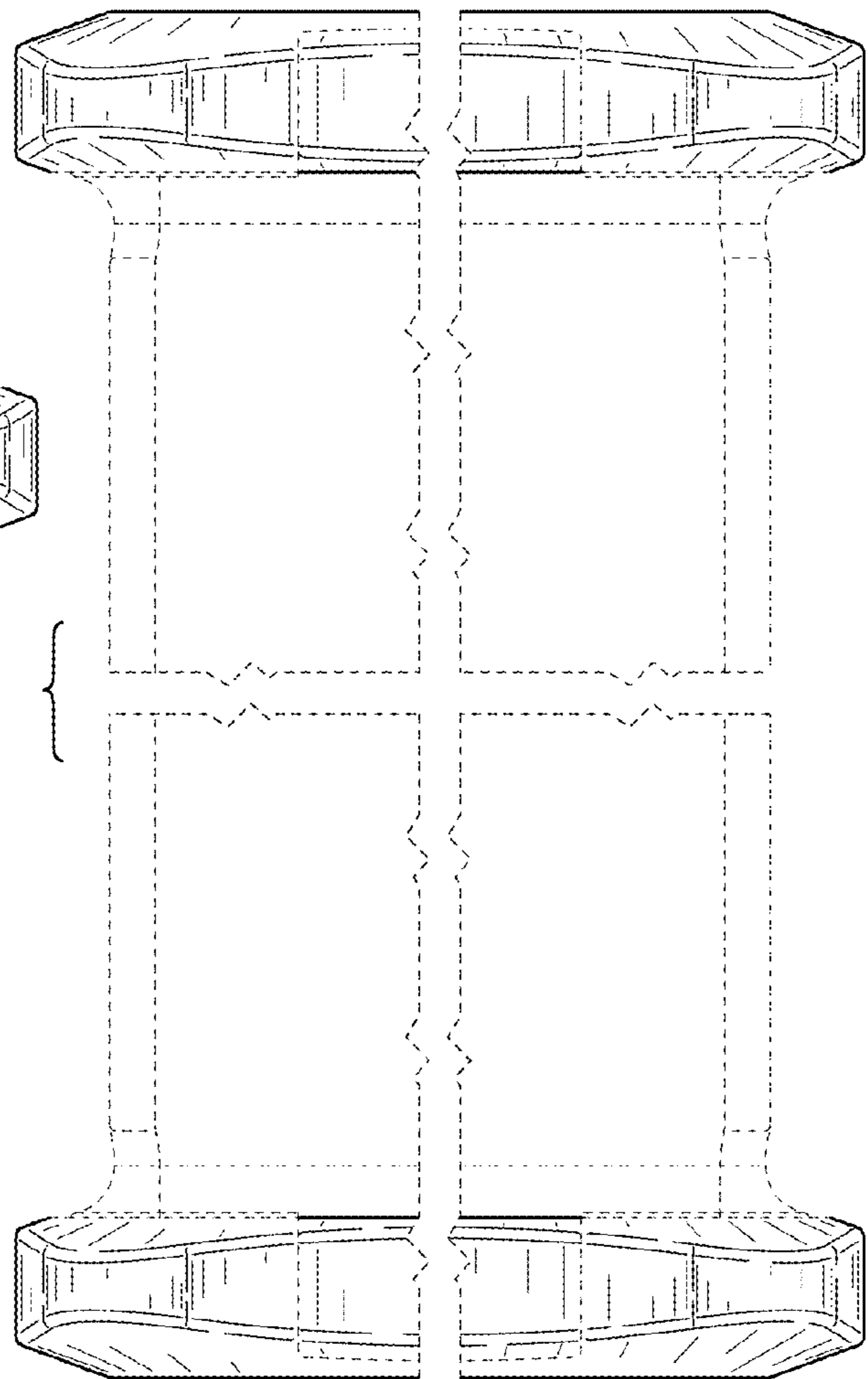


FIG. 11

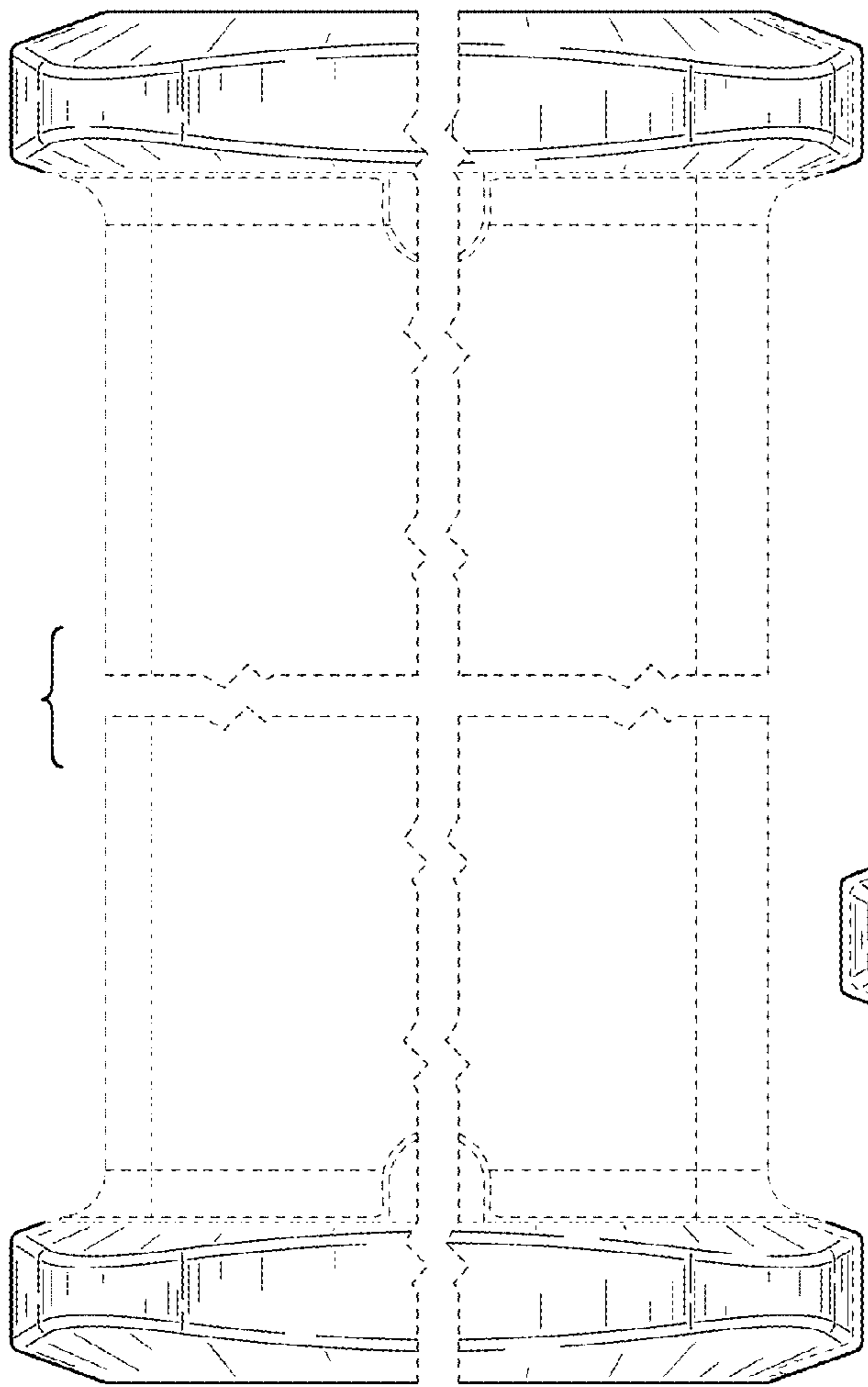


FIG. 12

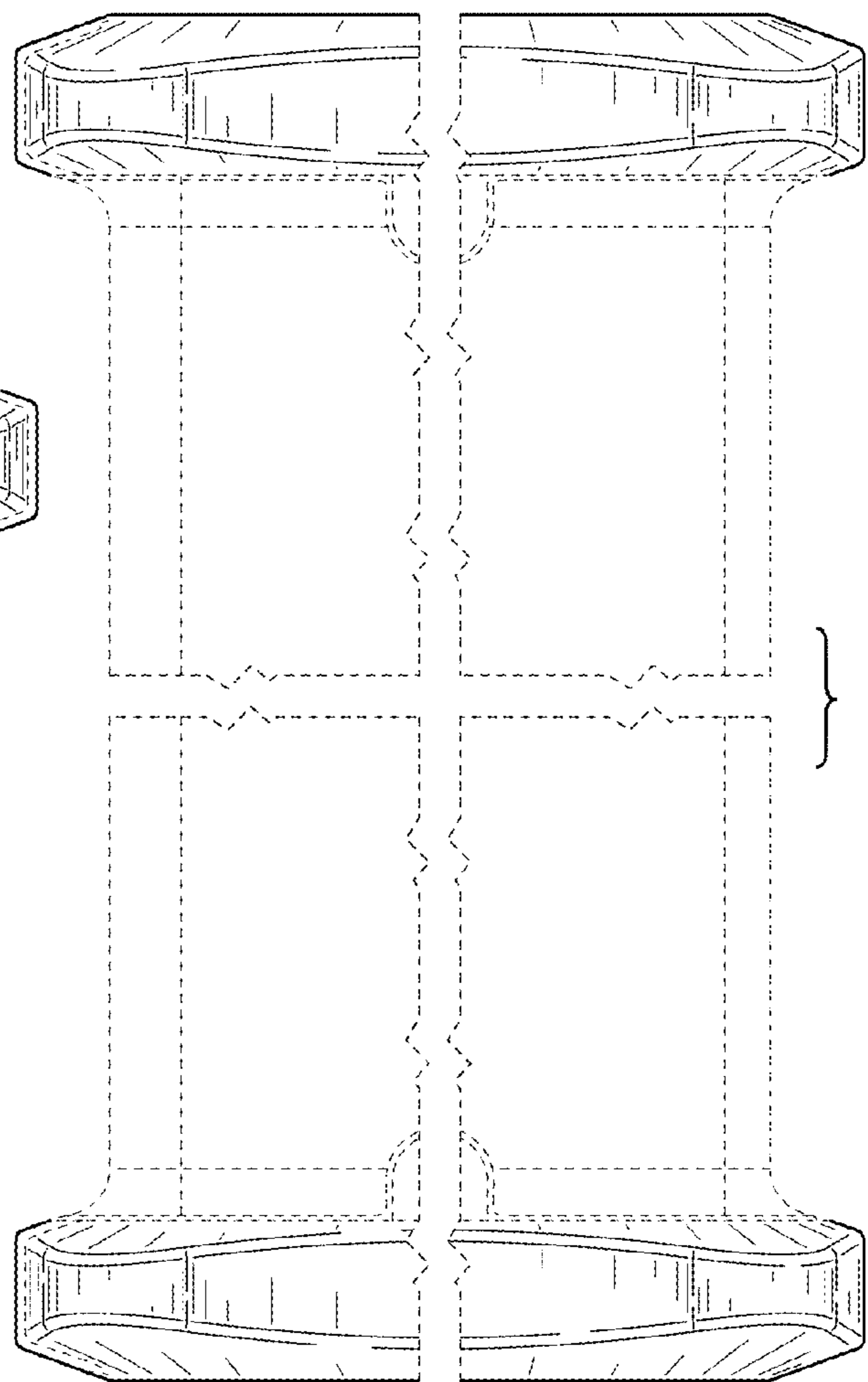


FIG. 13

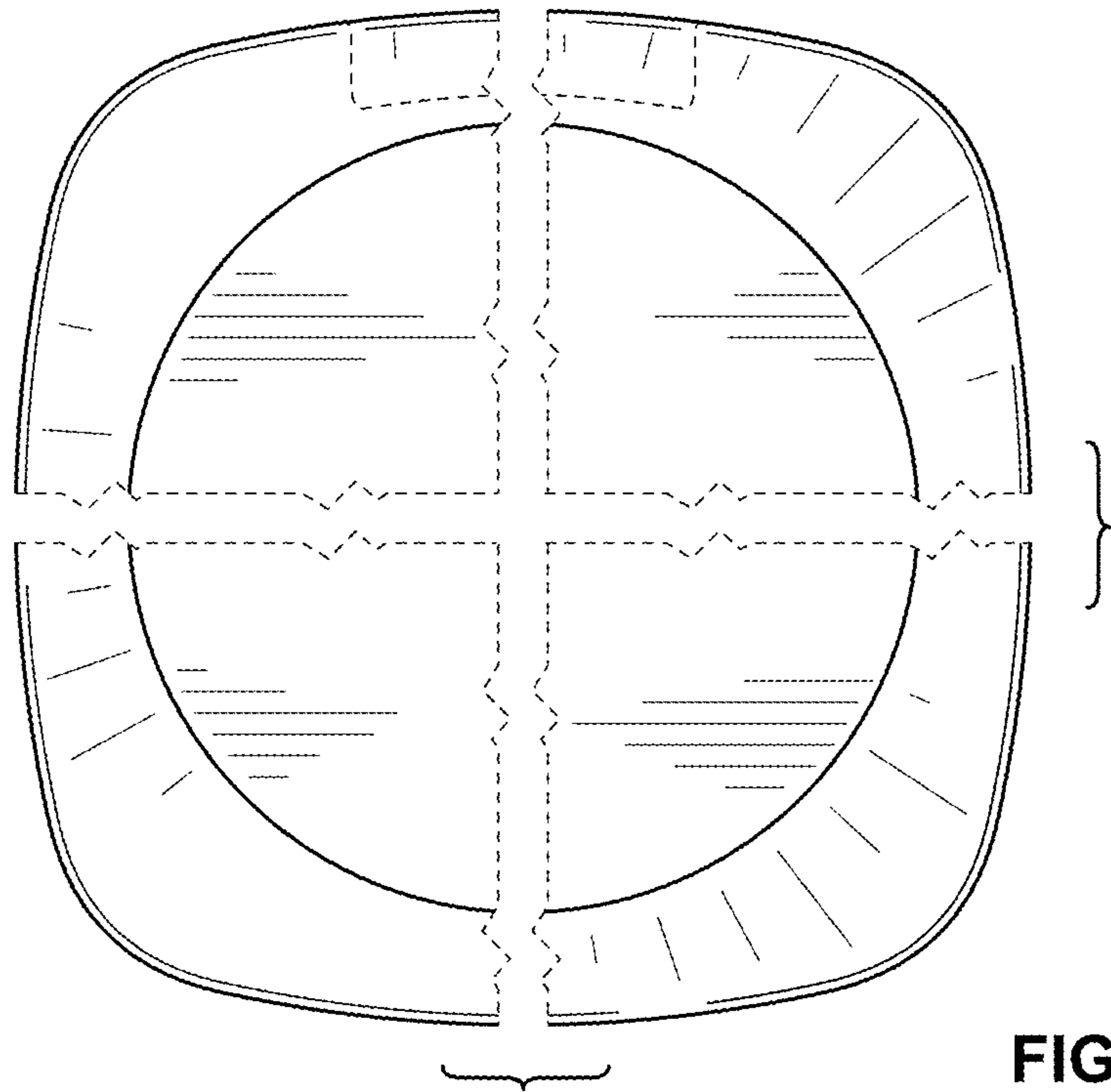


FIG. 14

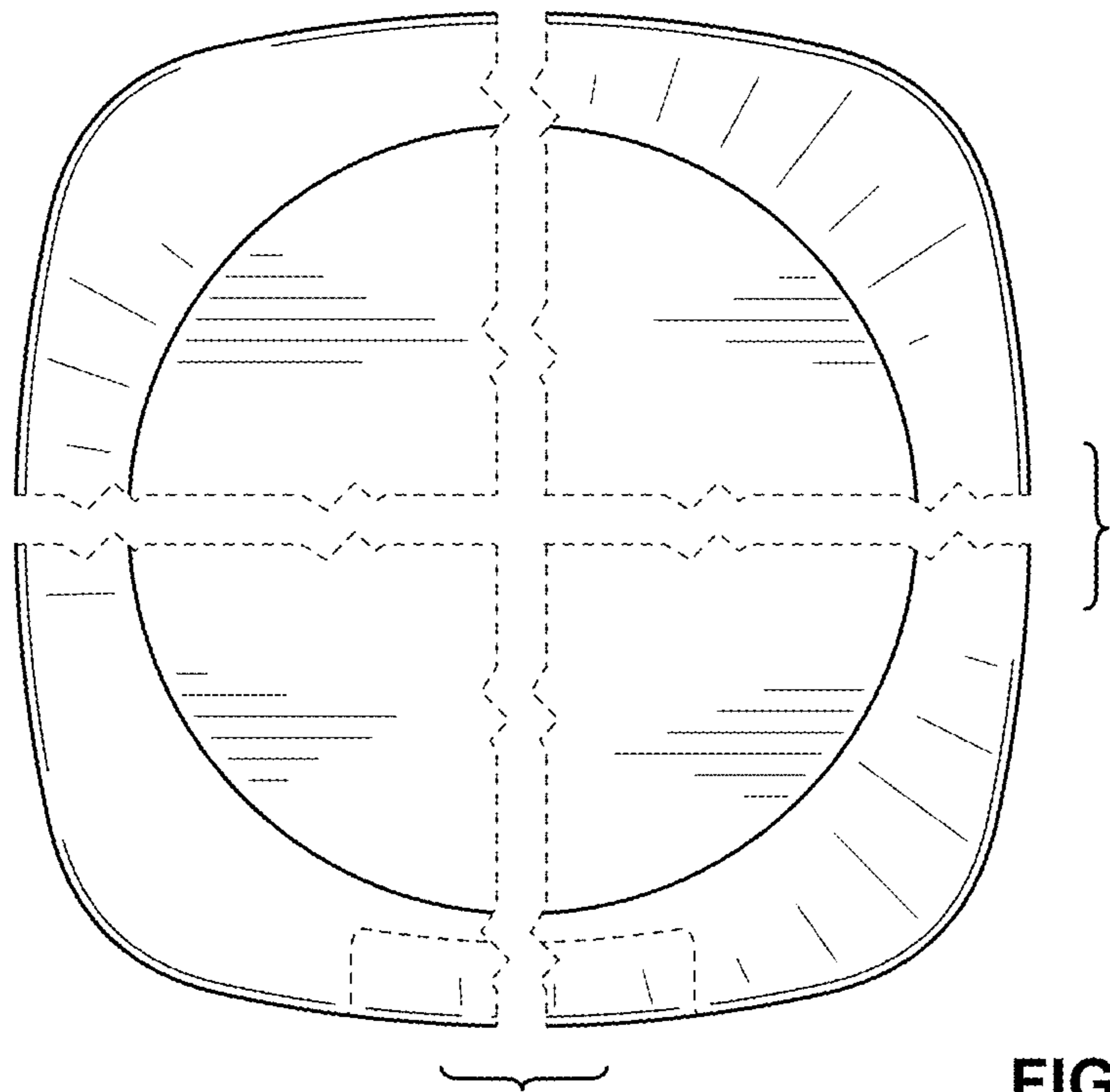


FIG. 15