

US00D899770S

(12) **United States Design Patent**
Leonard

(10) **Patent No.:** **US D899,770 S**

(45) **Date of Patent:** **** Oct. 27, 2020**

(54) **APPENDAGE WALLET**

(71) Applicant: **Candice Leonard**, Acme, WA (US)

(72) Inventor: **Candice Leonard**, Acme, WA (US)

(**) Term: **15 Years**

(21) Appl. No.: **29/701,977**

(22) Filed: **Aug. 15, 2019**

(51) **LOC (12) Cl.** **03-01**

(52) **U.S. Cl.**
USPC **D3/251**

(58) **Field of Classification Search**
USPC D3/247, 249–253, 215, 226
CPC A45C 1/06; A45C 2011/022; A45C 11/00;
A45C 13/002; A45C 13/005; A45C
13/10; A45C 13/30
See application file for complete search history.

(56) **References Cited**

U.S. PATENT DOCUMENTS

D157,289 S *	2/1950	Potter	D3/251
D161,422 S *	1/1951	Chase	D3/251
2,578,390 A *	12/1951	Bastow	A45C 1/08
				150/136
D296,616 S *	7/1988	Pangburn	D3/230
5,341,972 A	8/1994	Jacks		
5,588,571 A	12/1996	Mazzo		
D459,875 S	7/2002	Mack et al.		
6,443,341 B1	9/2002	Rittmann		

D515,805 S	2/2006	Jones
D666,413 S	9/2012	Carter
D691,367 S	10/2013	Chappell
2003/0164389 A1	9/2003	Byers

* cited by examiner

Primary Examiner — Holly H Baynham

(74) *Attorney, Agent, or Firm* — John J. Bamert, Esq.;
Lowe Graham Jones PLLC

(57) **CLAIM**

I claim the ornamental design for an appendage wallet, as shown.

DESCRIPTION

FIG. 1 is an overhead plan view of a first side of an appendage wallet in an unwrapped configuration.

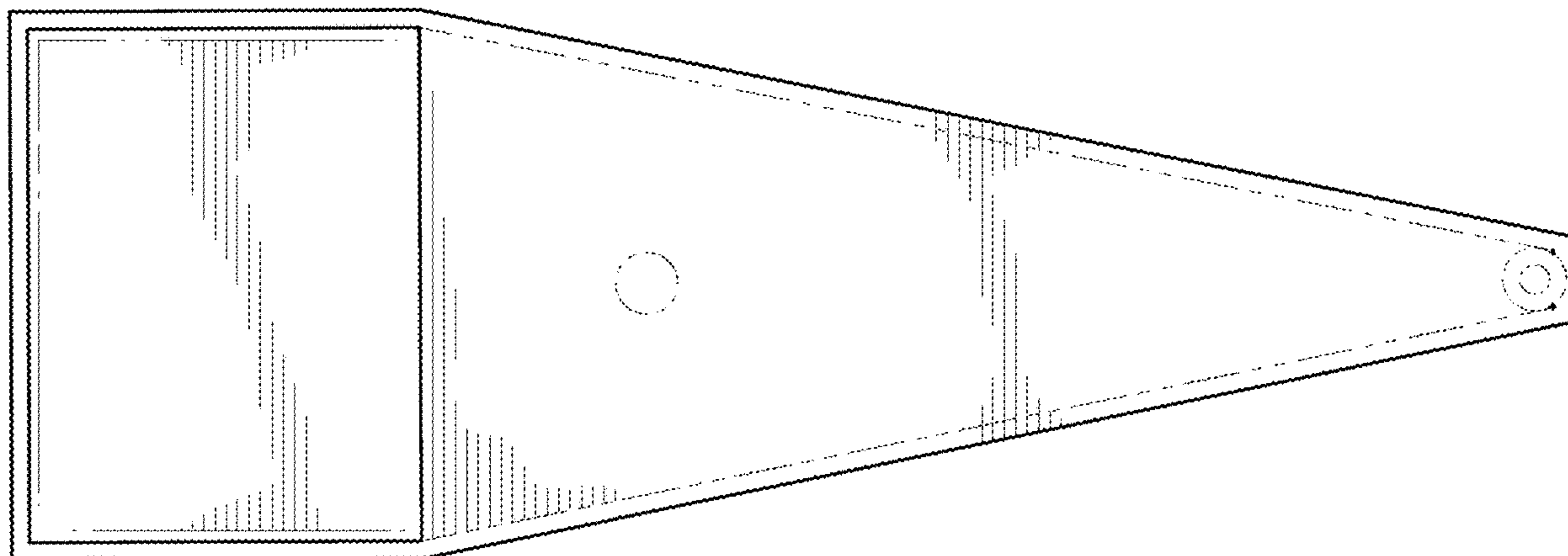
FIG. 2 is an overhead plan view of a second side view thereof in the unwrapped configuration, showing my new design in an environment that includes a human appendage on which the appendage wallet is disposed.

FIG. 3 is a perspective view of thereof in a wrapped configuration; and,

FIG. 4 is a perspective view of thereof in the wrapped configuration.

The broken lines are for the purposes of illustrating portions of the claimed article that form no part of the claimed design.

1 Claim, 4 Drawing Sheets



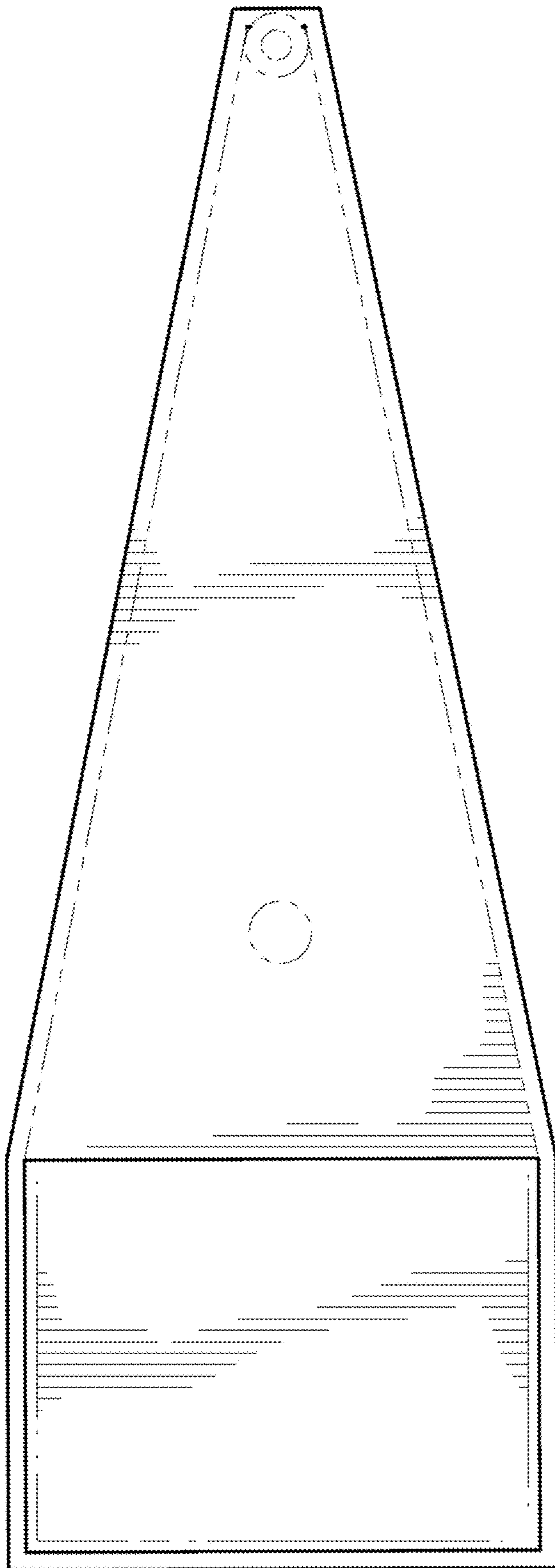


Fig. 1

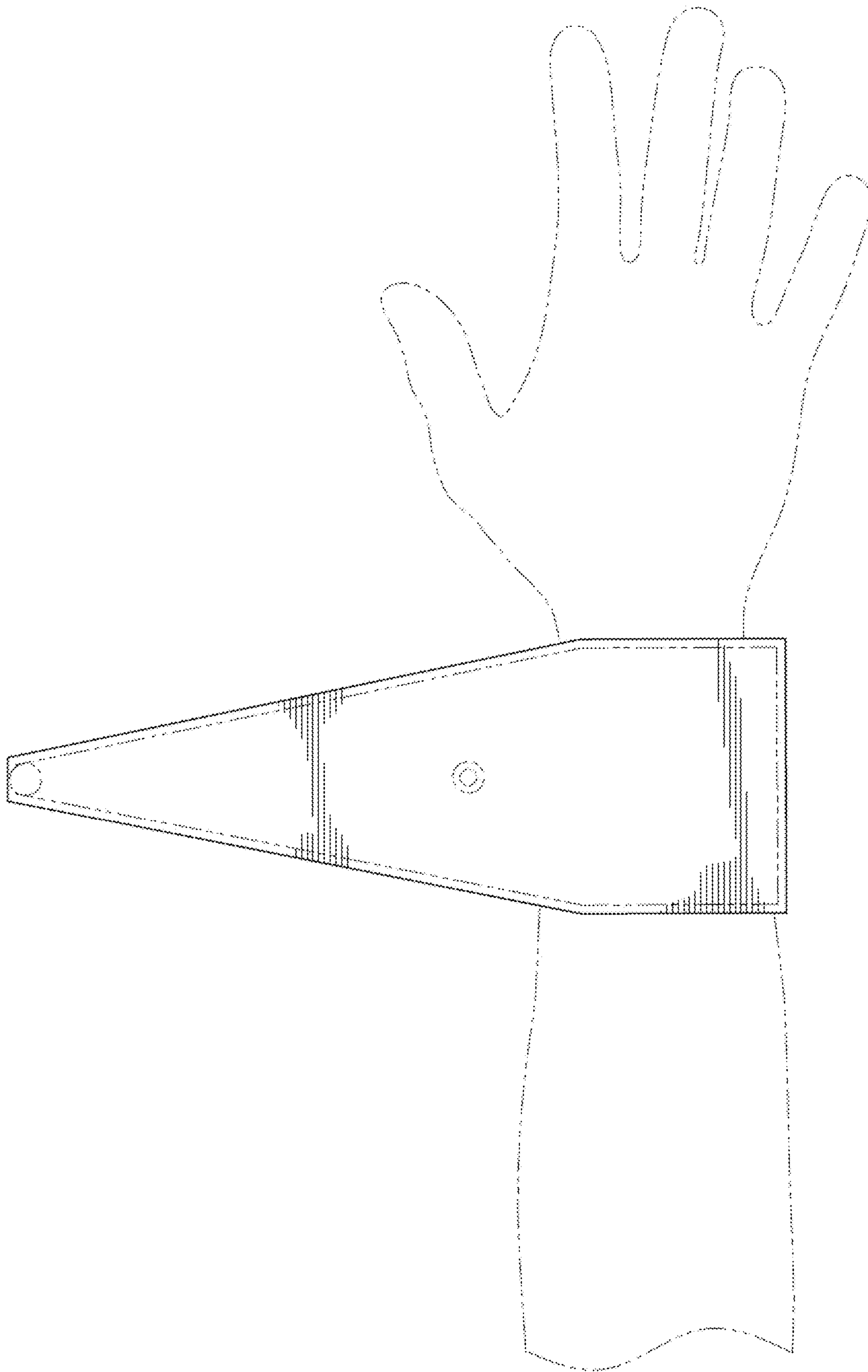


Fig. 2

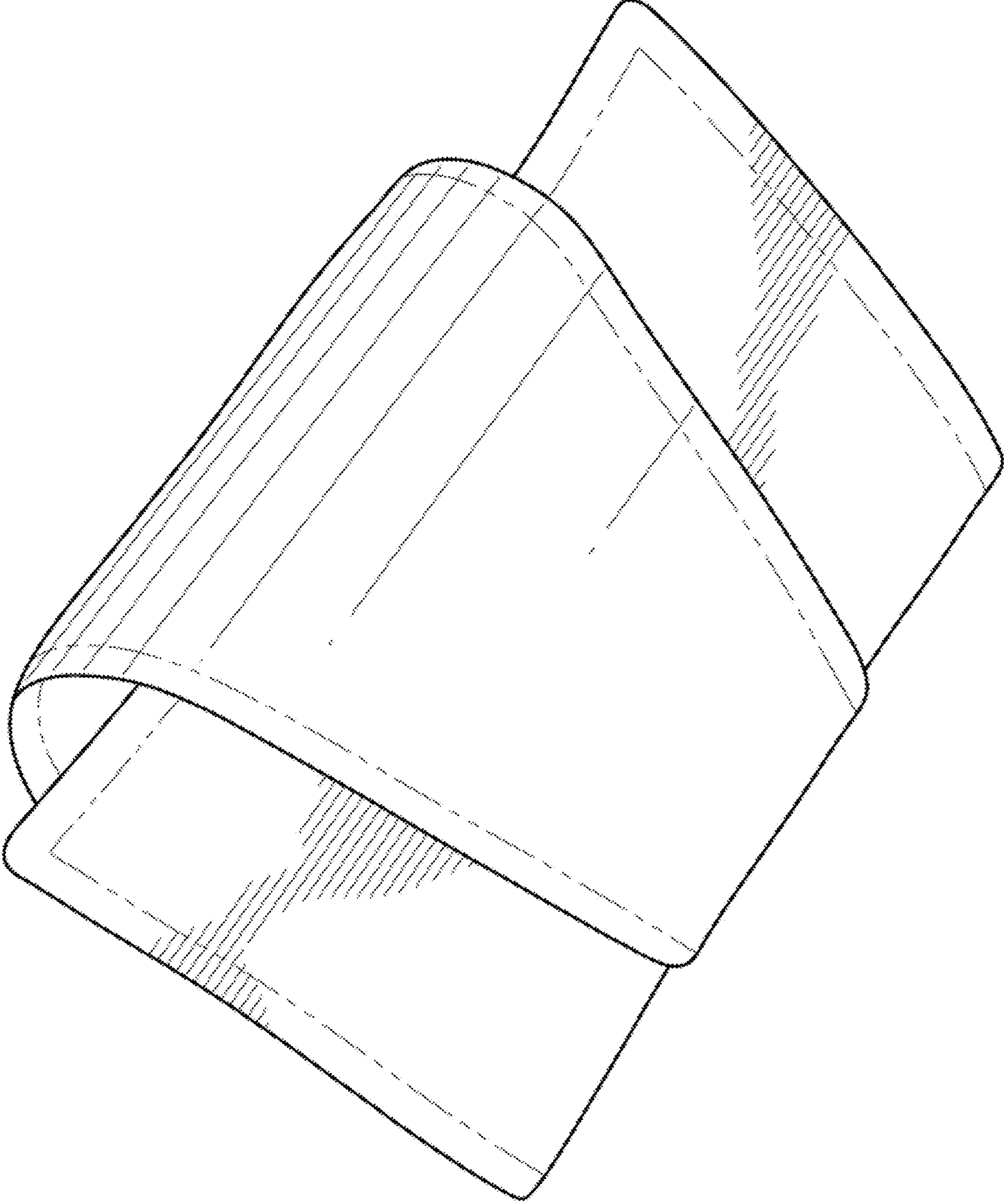


Fig. 3

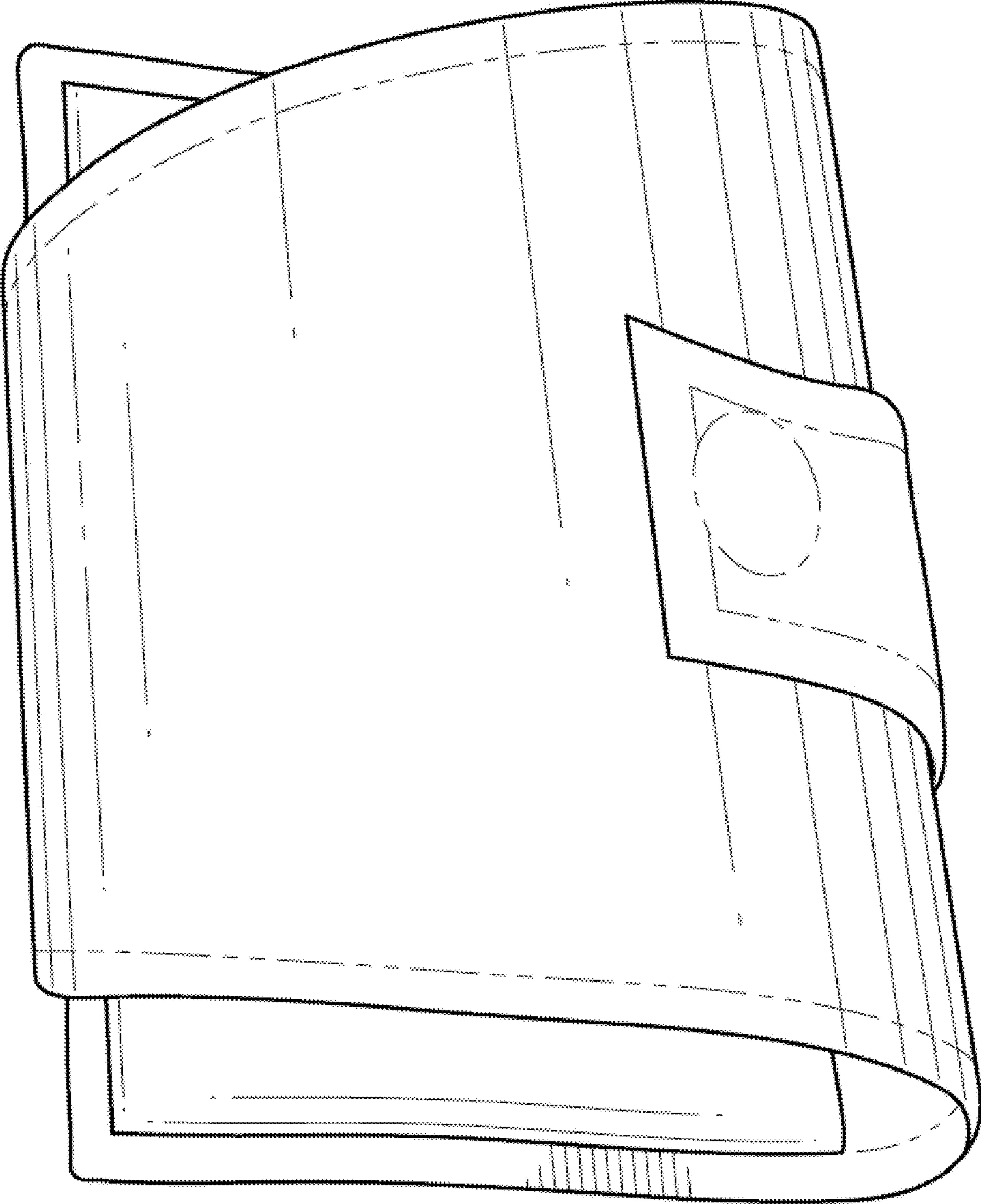


Fig. 4