



US00D899767S

(12) **United States Design Patent** (10) **Patent No.:** **US D899,767 S**
Bloom (45) **Date of Patent:** **** Oct. 27, 2020**

- (54) **BACKPACK WITH ZIPPER AND FINGERPRINT LOCK**
- (71) Applicant: **Rachel Bloom**, Kettering, OH (US)
- (72) Inventor: **Rachel Bloom**, Kettering, OH (US)
- (**) Term: **15 Years**
- (21) Appl. No.: **29/682,190**
- (22) Filed: **Mar. 2, 2019**

D847,494	S	*	5/2019	Tang	D3/217
D866,956	S	*	11/2019	Wu	D3/217
D867,750	S	*	11/2019	Warren	D3/217
D869,149	S	*	12/2019	Okungbaiye	D3/217
2002/0034321	A1		3/2002	Saito		
2004/0025550	A1		2/2004	Yamagashi		
2004/0255623	A1		12/2004	Sun et al.		
2008/0012686	A1		1/2008	Bonestroo		

(Continued)

FOREIGN PATENT DOCUMENTS

CN	101354798	A	1/2009
CN	201806072	U	4/2011

(Continued)

Primary Examiner — Holly E Thurman

(74) *Attorney, Agent, or Firm* — Thomas E. Lees, LLC

Related U.S. Application Data

- (63) Continuation-in-part of application No. 29/679,322, filed on Feb. 5, 2019.
- (51) **LOC (12) Cl.** **03-01**
- (52) **U.S. Cl.**
USPC **D3/216; D3/201**
- (58) **Field of Classification Search**
USPC D3/201, 215, 216–217, 213–214,
D3/232–233, 240–243, 245–246, 273,
D3/276, 289, 294, 301, 302, 303, 318
CPC A45C 1/024; A45C 3/06
See application file for complete search history.

(57) **CLAIM**

The ornamental design for a backpack with zipper and fingerprint lock.

DESCRIPTION

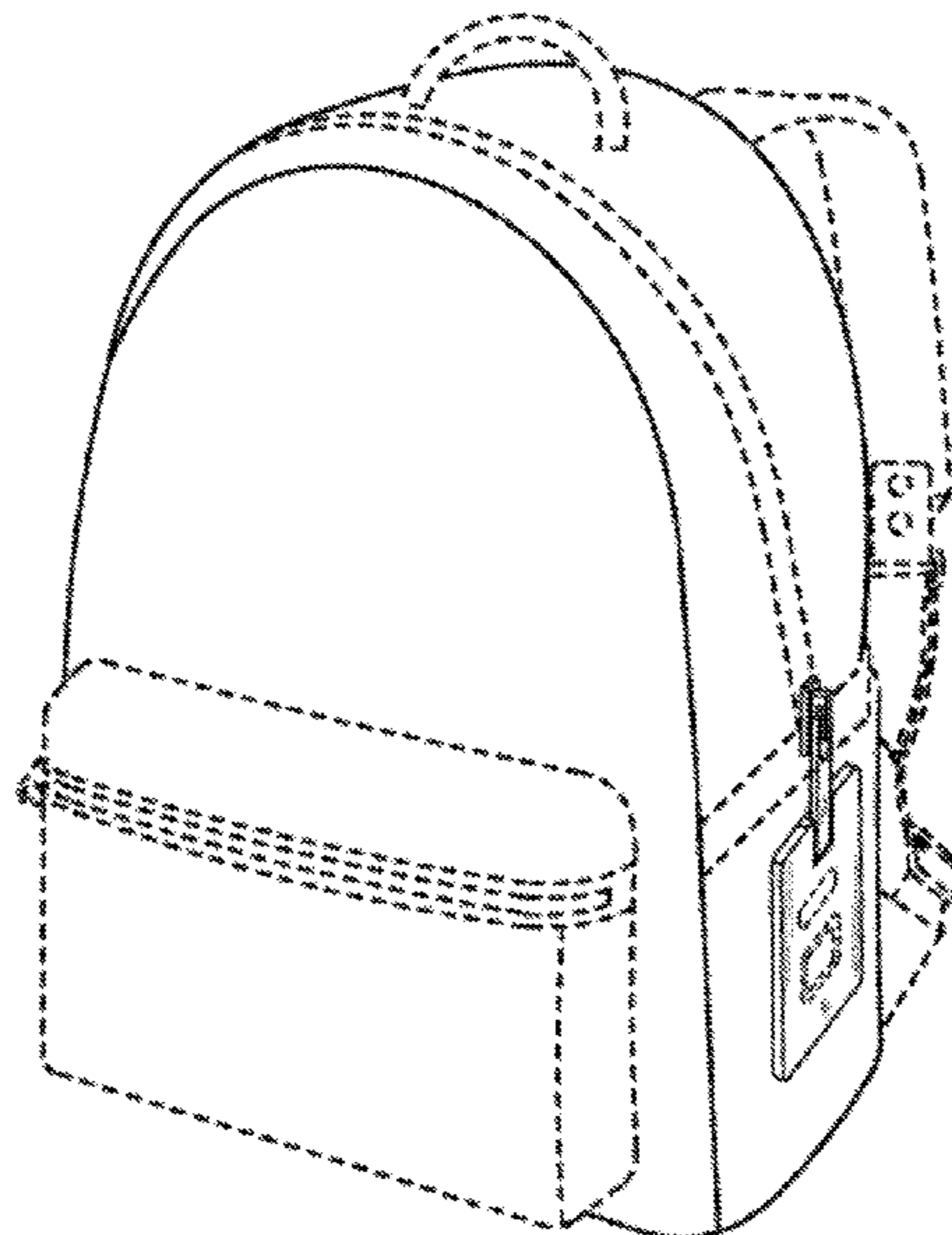
FIG. 1 is a front perspective view of a backpack with zipper and fingerprint lock;
 FIG. 2 is a front view of a backpack with zipper and fingerprint lock showing my new design;
 FIG. 3 is a back view of a backpack with zipper and fingerprint lock showing my new design;
 FIG. 4 is a right side elevation end view of a backpack with zipper and fingerprint lock showing my new design;
 FIG. 5 is a left side of a backpack with zipper and fingerprint lock showing my new design;
 FIG. 6 is a top view of a backpack with zipper and fingerprint lock showing my new design; and,
 FIG. 7 is a bottom view of a backpack with zipper and fingerprint lock showing my new design.
 The broken lines shown in the drawings do not form part of the claimed design.

(56) **References Cited**

U.S. PATENT DOCUMENTS

5,138,468	A	8/1992	Baebanell	
5,963,657	A	10/1999	Bowker et al.	
6,374,652	B1	4/2002	Hwang	
6,401,501	B1	6/2002	Kajuch et al.	
D469,952	S *	2/2003	Daglow D3/216
6,865,913	B2	3/2005	Yamagishi	
7,043,060	B2	5/2006	Quintana	
D691,584	S *	10/2013	Nussbaum D14/204
D694,002	S *	11/2013	Bland D29/101.3
D742,631	S *	11/2015	Kim D3/217
D748,909	S *	2/2016	Wronski D3/217
D771,373	S *	11/2016	Kim D3/217
D841,318	S *	2/2019	Carter D3/217

1 Claim, 5 Drawing Sheets



(56)

References Cited

U.S. PATENT DOCUMENTS

2009/0226050 A1 9/2009 Hughes
2016/0360351 A1 12/2016 Cabouli
2017/0198497 A1 6/2017 Tsai

FOREIGN PATENT DOCUMENTS

CN 102783781 11/2012
CN 106917550 7/2017
GB 2458889 7/2009
GB 2547913 A 6/2017
GB 2531937 11/2017
WO WO2007101292 9/2007
WO WO2015121630 8/2015

* cited by examiner

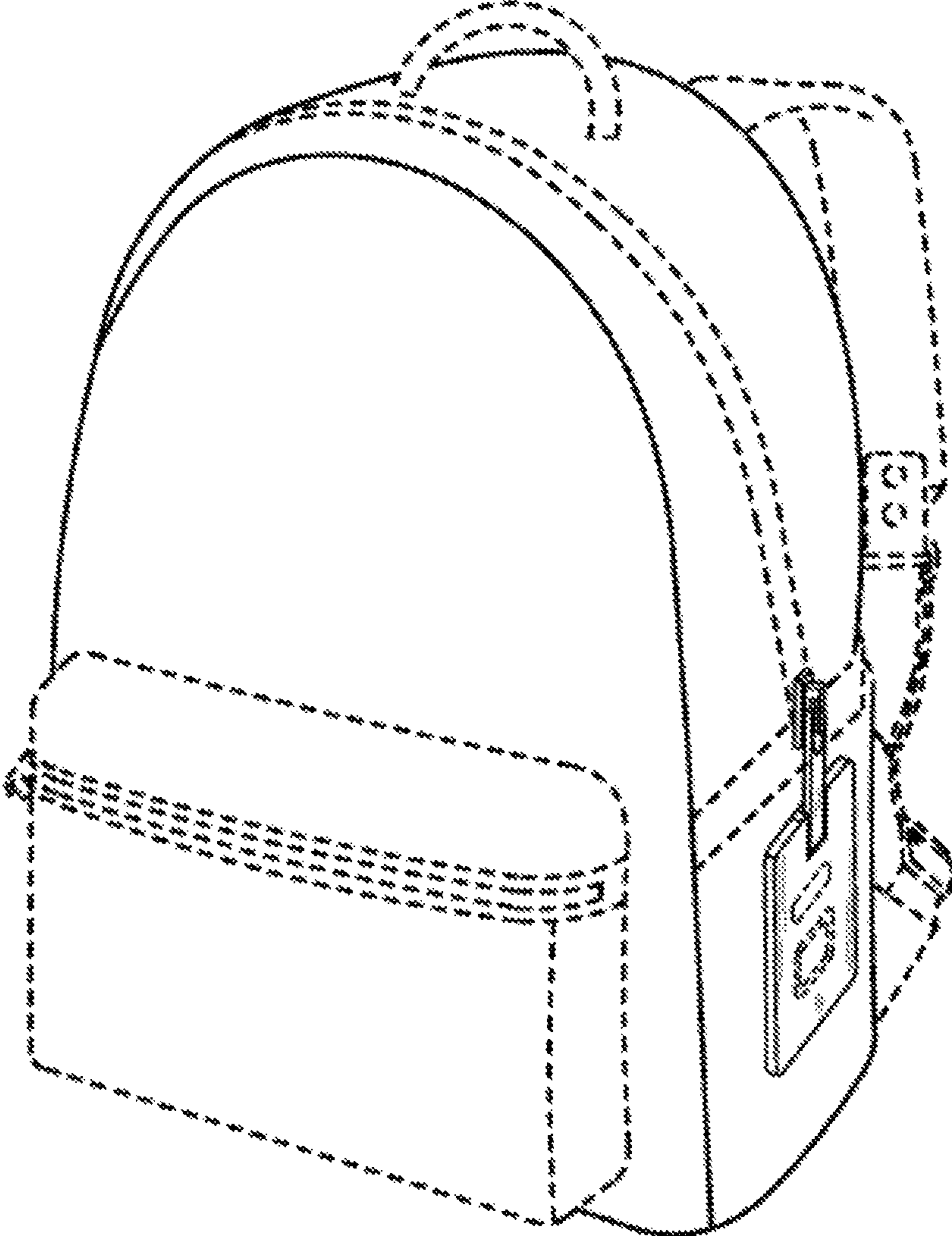


FIG. 1

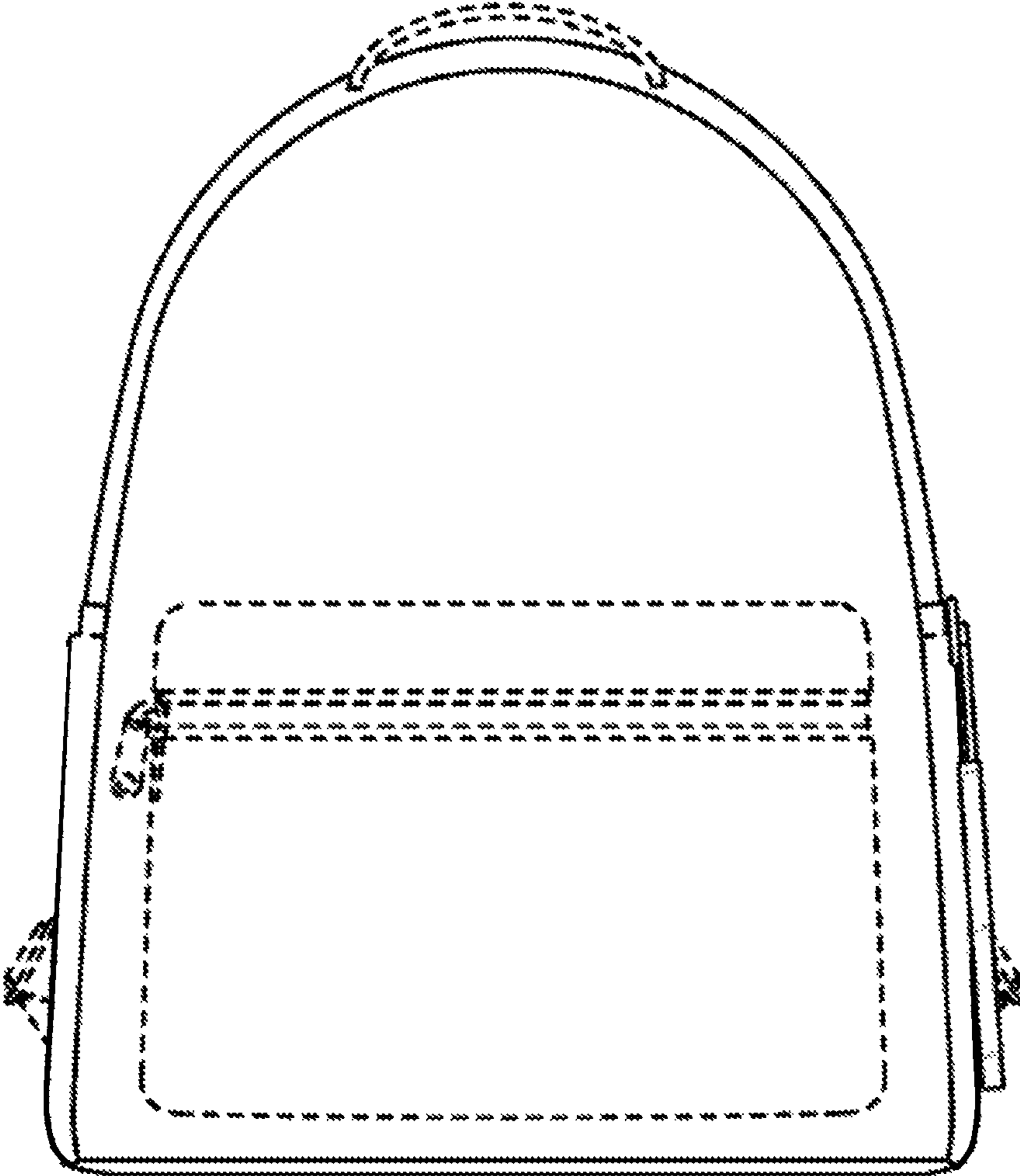


FIG. 2

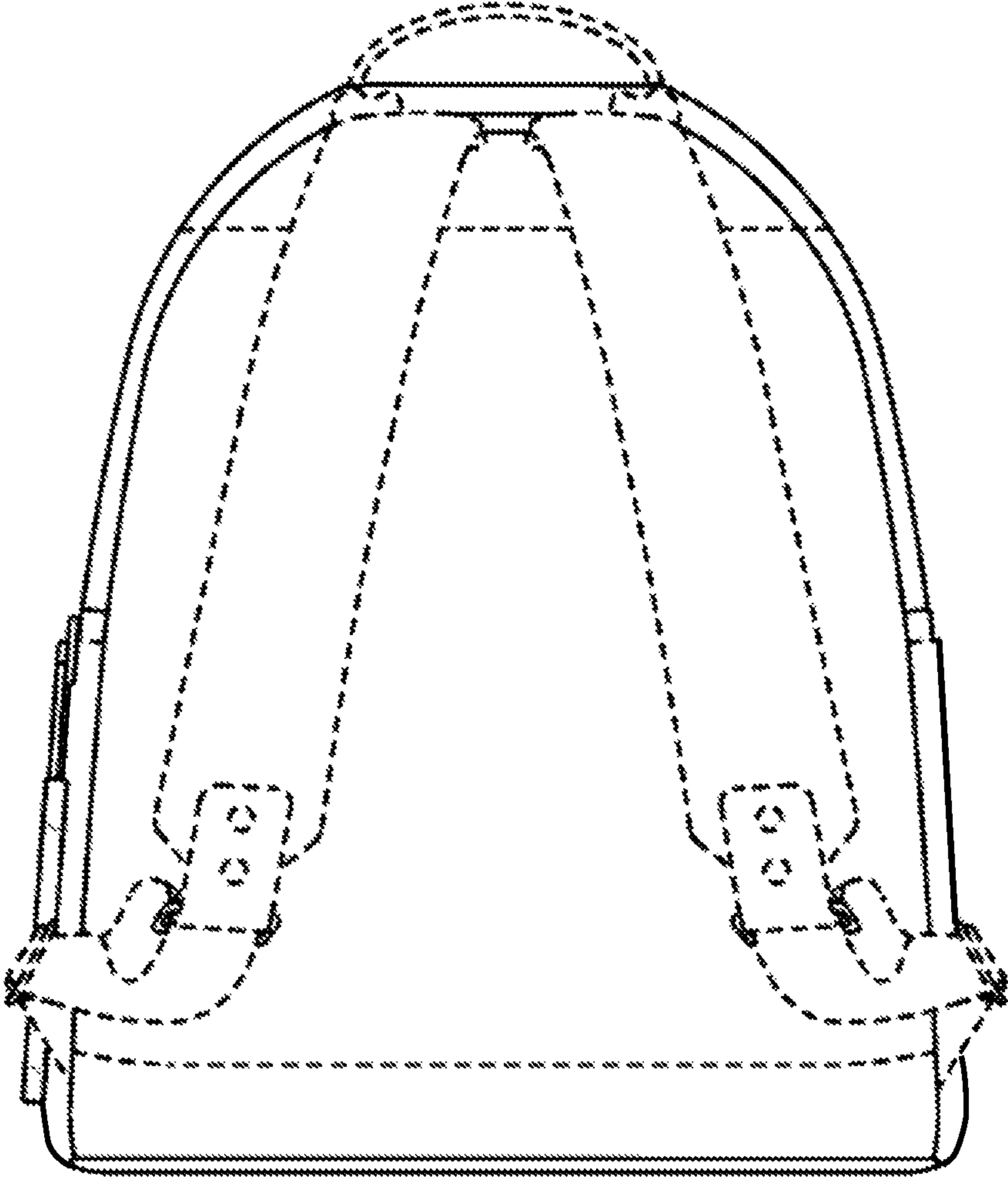


FIG. 3

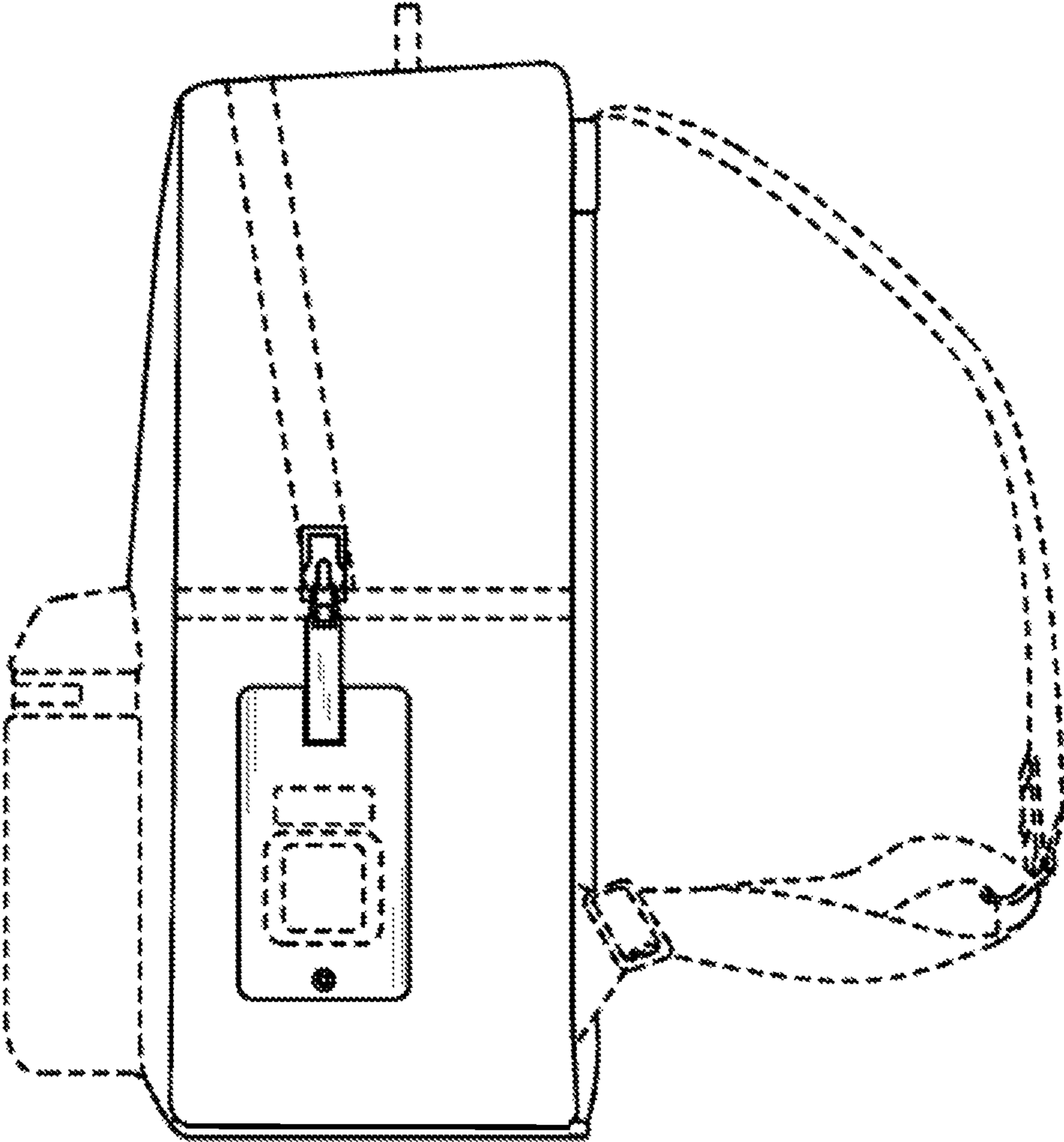


FIG. 4

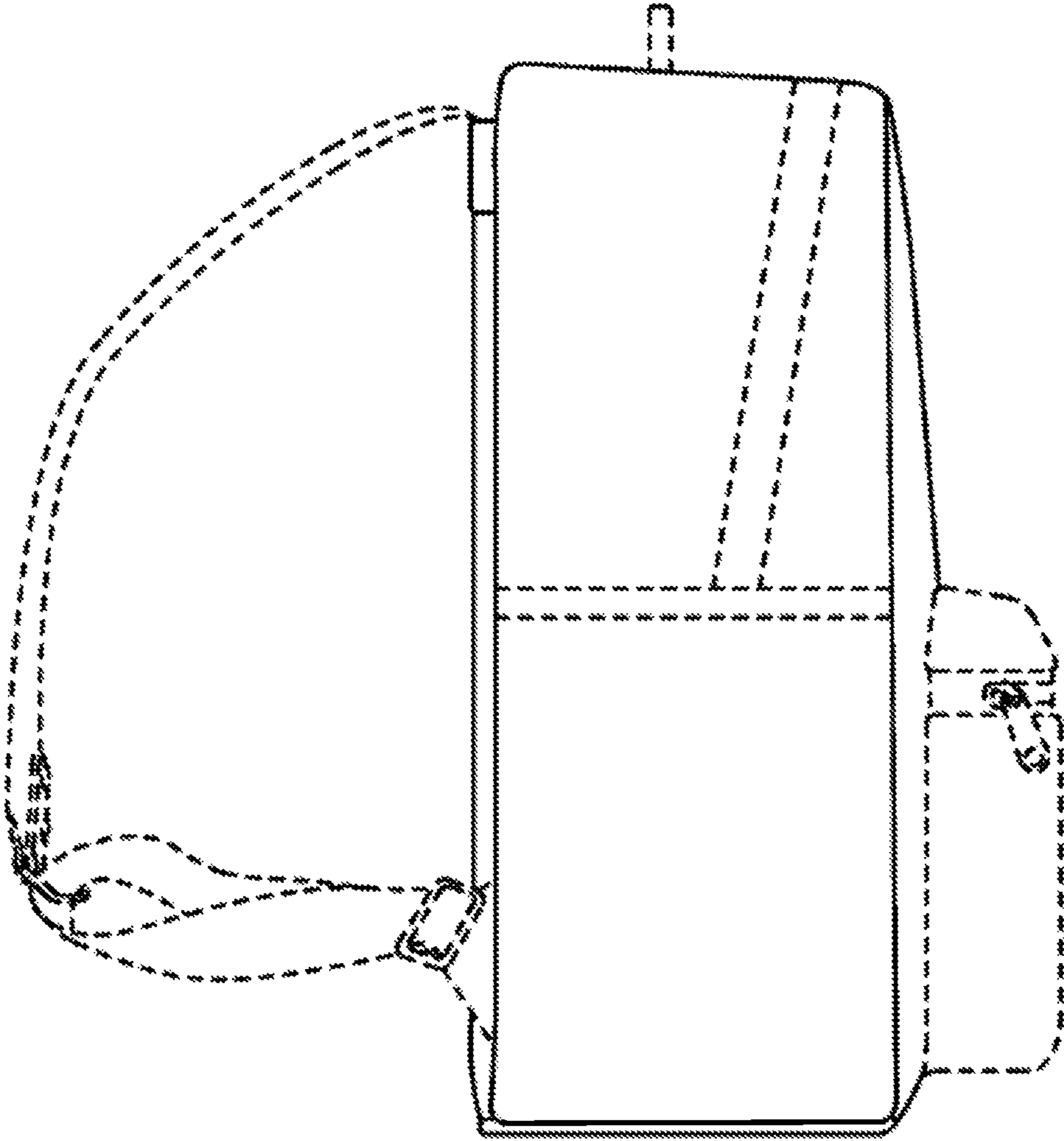


FIG. 5

UNITED STATES PATENT AND TRADEMARK OFFICE
CERTIFICATE OF CORRECTION

PATENT NO. : D899,767 S
APPLICATION NO. : 29/682190
DATED : October 27, 2020
INVENTOR(S) : Rachel Bloom

Page 1 of 3

It is certified that error appears in the above-identified patent and that said Letters Patent is hereby corrected as shown below:

On the Title Page

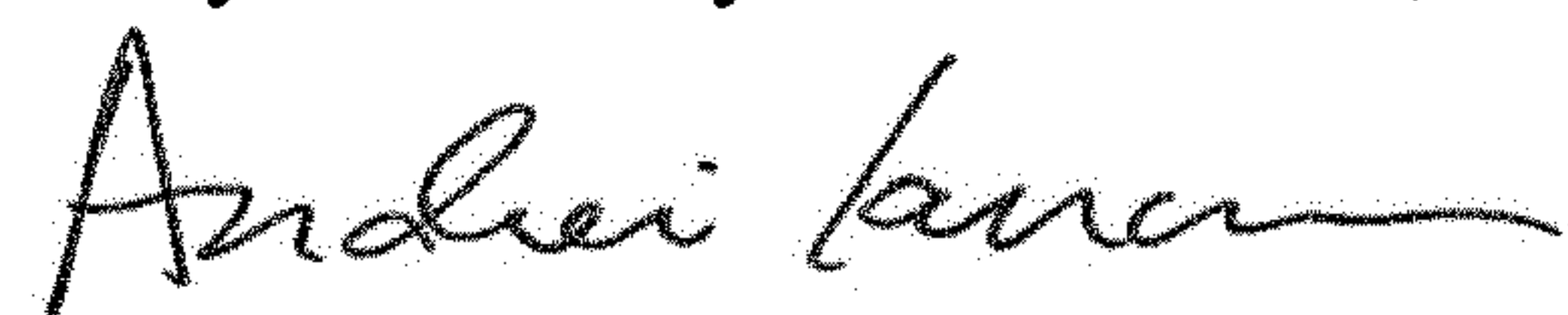
Under descriptions "1 Claim, 5 Drawing Sheets" should read --1 Claim, 7 Drawing Sheets--

In the Drawings

Add the drawings as follows:

- Sheet 6, FIG. 6 and
- Sheet 7, FIG. 7

Signed and Sealed this
Twenty-ninth Day of December, 2020



Andrei Iancu
Director of the United States Patent and Trademark Office

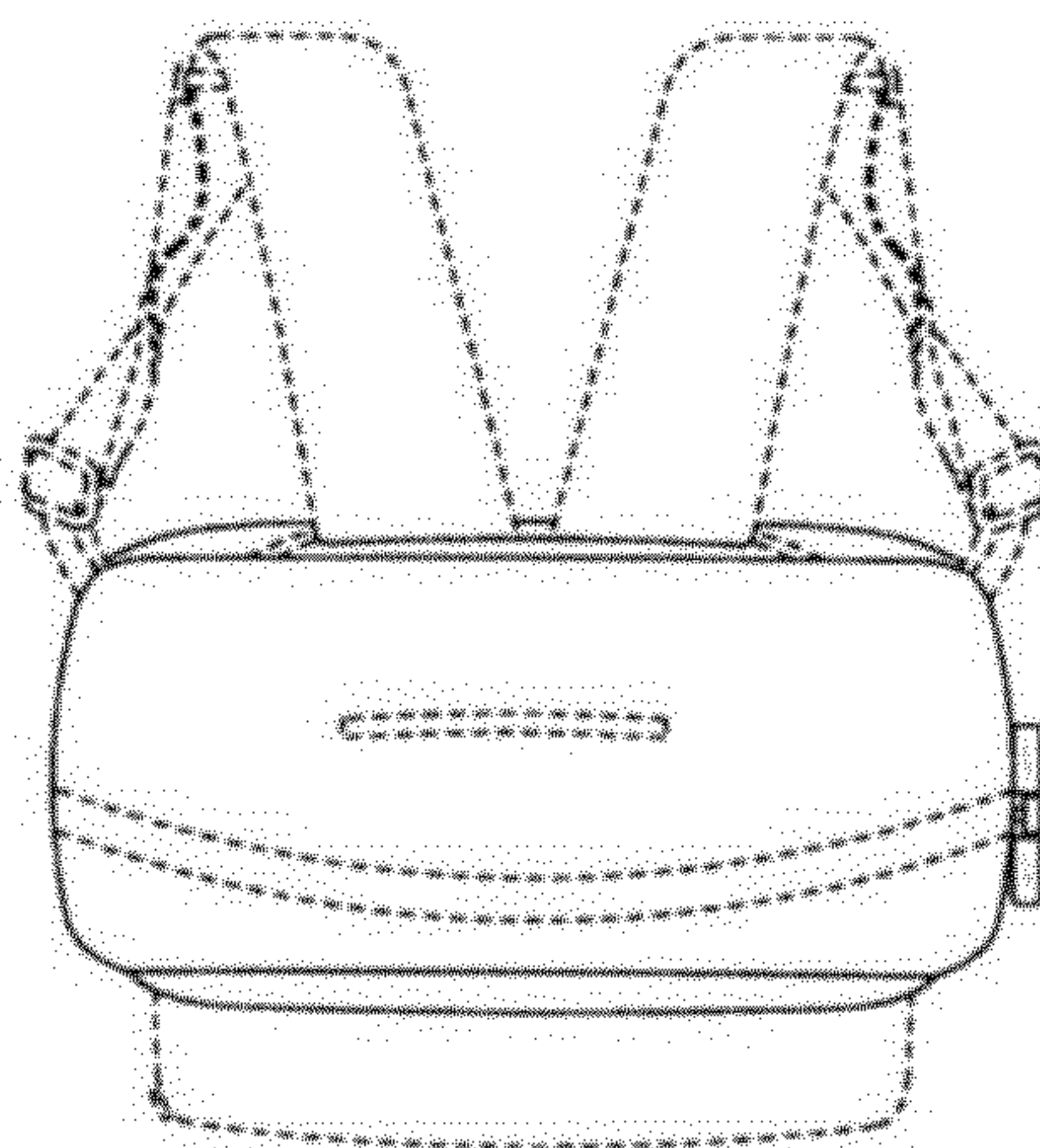


FIG. 6

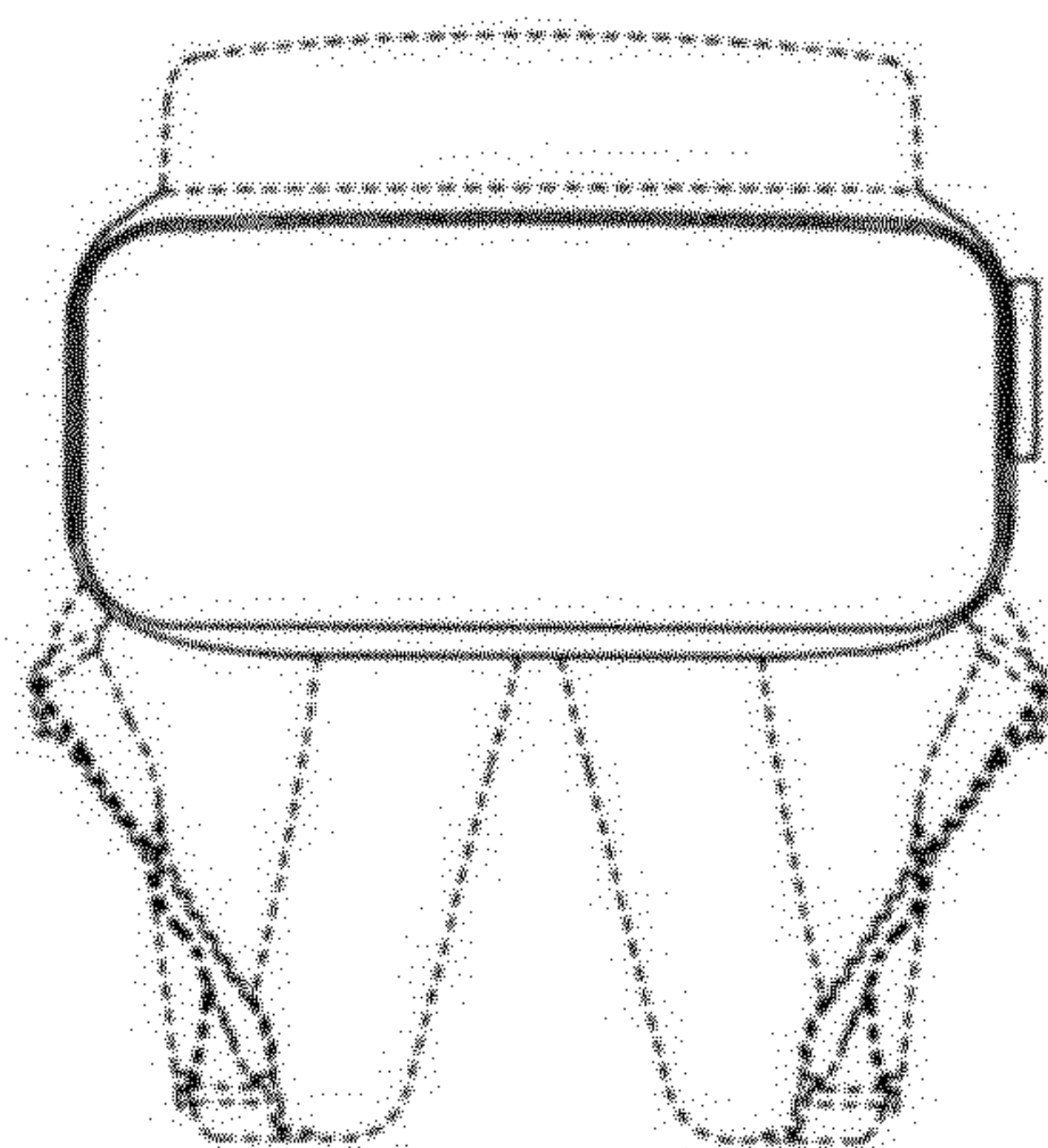


FIG. 7