



US00D899765S

(12) **United States Design Patent** (10) **Patent No.:** **US D899,765 S**
Shelton (45) **Date of Patent:** **** Oct. 27, 2020**

- (54) **COMBINATION KEY RING AND FRAGRANCE DISPENSER**
- (71) Applicant: **Nicole Shelton**, Astoria, NY (US)
- (72) Inventor: **Nicole Shelton**, Astoria, NY (US)
- (**) Term: **15 Years**
- (21) Appl. No.: **29/671,391**
- (22) Filed: **Nov. 27, 2018**

Related U.S. Application Data

- (62) Division of application No. 29/612,885, filed on Aug. 4, 2017, now Pat. No. Des. 834,305.
- (51) **LOC (12) Cl.** **03-01**
- (52) **U.S. Cl.**
USPC **D3/208**
- (58) **Field of Classification Search**
USPC D3/207, 208, 209, 210, 211, 212; D8/33, D8/34, 38
CPC .. A44B 15/00; Y10T 70/8676; Y10T 24/1379
See application file for complete search history.

References Cited

U.S. PATENT DOCUMENTS

- D403,941 S * 1/1999 Teetor D17/18
- D407,430 S * 3/1999 Rosenberg D17/20
- D646,888 S * 10/2011 Kieswetter D3/208
- D657,613 S * 4/2012 Pierce D7/354
- D783,268 S * 4/2017 Shelton D28/91.1

- D785,315 S * 5/2017 Habraken D3/207
- D834,304 S * 11/2018 Shelton D3/208
- D834,306 S * 11/2018 Shelton D3/208
- D834,307 S * 11/2018 Shelton D3/208
- D837,507 S * 1/2019 Shelton D3/208
- D837,508 S * 1/2019 Shelton D3/208
- D838,309 S * 1/2019 Trombetti D17/20
- 10,311,851 B1 * 6/2019 Stadnyk G10H 3/181
- 2019/0156795 A1 * 5/2019 Powers G10D 1/085
- 2019/0371283 A1 * 12/2019 Fortoloczki G10D 1/085

* cited by examiner

Primary Examiner — Kevin K Rudzinski

Assistant Examiner — Amber J Rabie

(74) *Attorney, Agent, or Firm* — Robinson IP Law, PLLC

(57) **CLAIM**

The ornamental design for a combination key ring and fragrance dispenser, as shown and described.

DESCRIPTION

FIG. 1 is a front, left perspective view of the combination key ring and fragrance dispenser;
 FIG. 2 is a front elevational view thereof;
 FIG. 3 is a left side elevational view thereof, the right side being a mirror image thereof;
 FIG. 4 is a top view thereof; and,
 FIG. 5 is a bottom view thereof.

The thin solid lines in the views have been provided for the purpose of illustrating the uniformity of the planar surfaces and the contour of the curved surfaces and are not a claimed surface pattern.

1 Claim, 4 Drawing Sheets

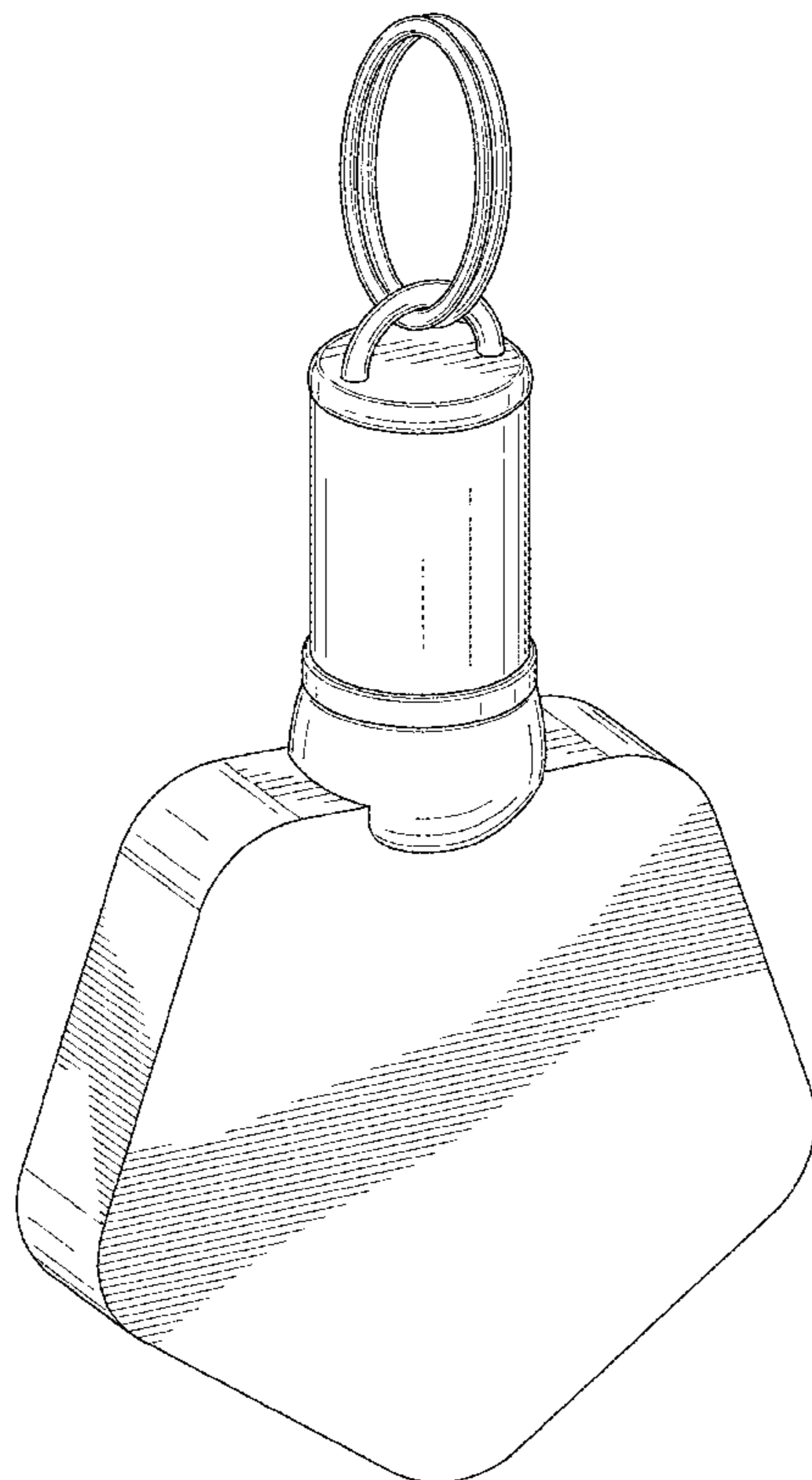




FIG. 1

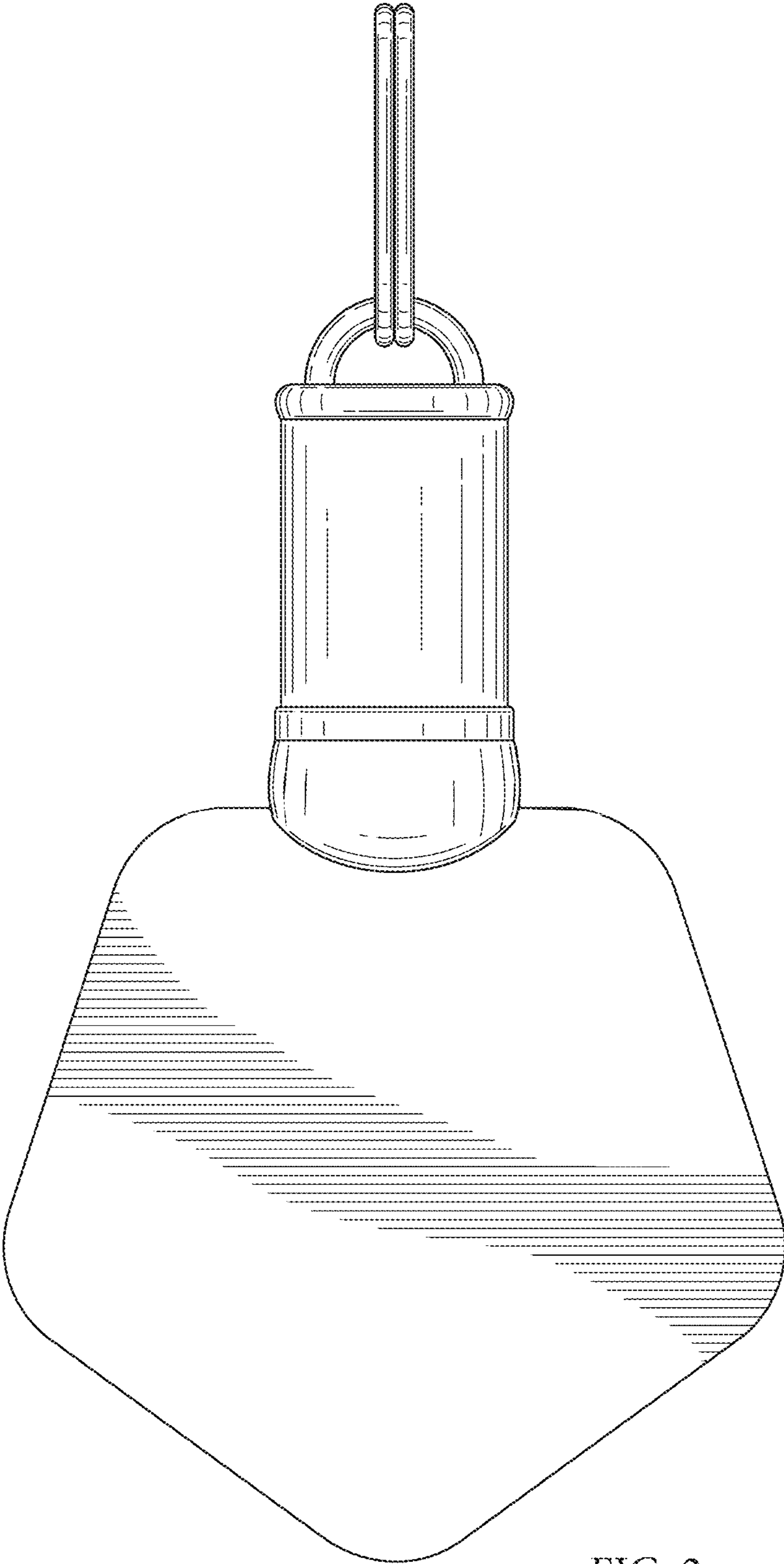


FIG. 2

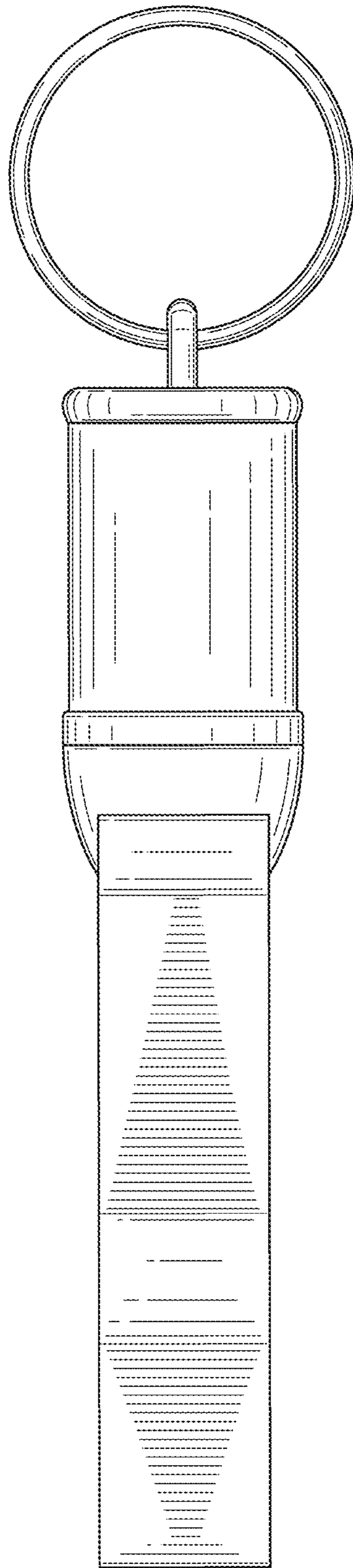


FIG. 3

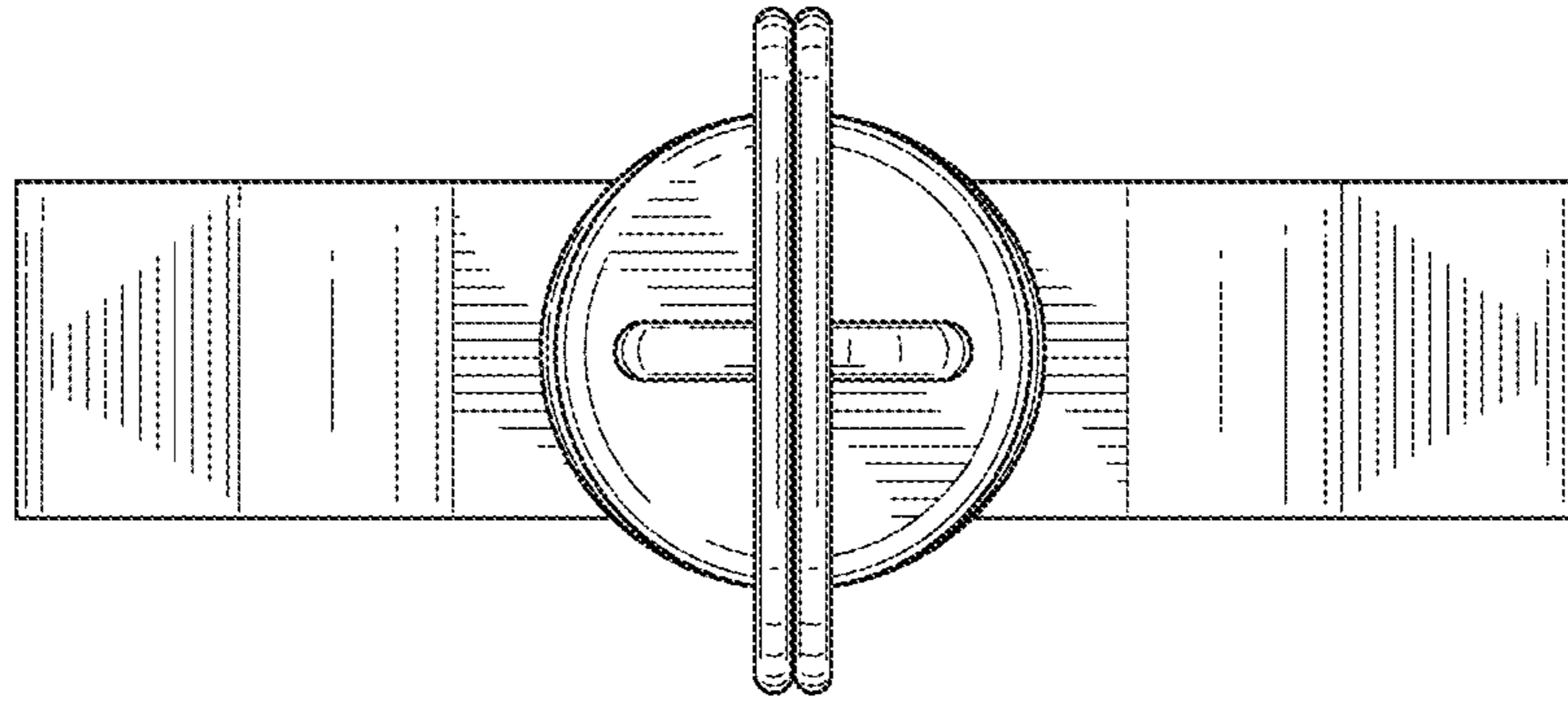


FIG. 4

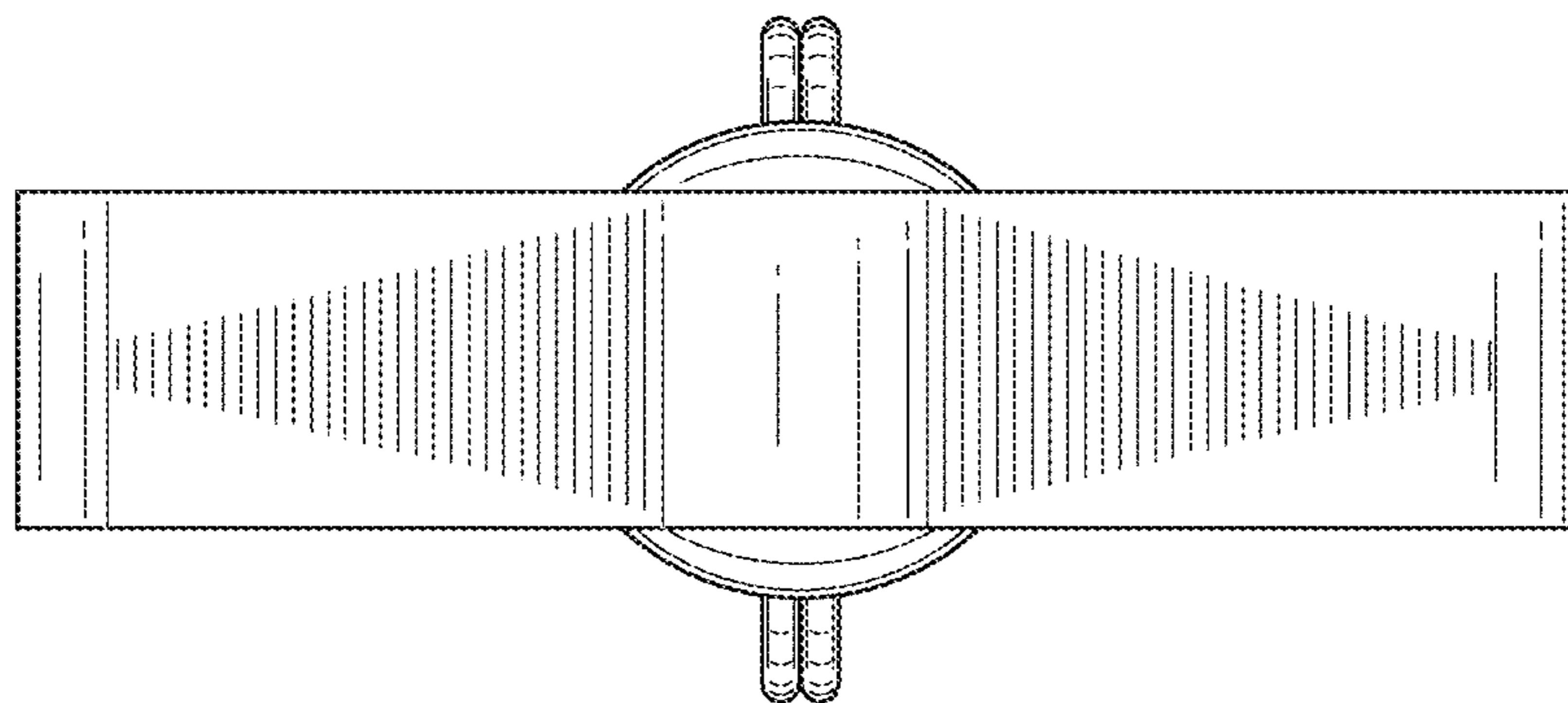


FIG. 5