



US00D899764S

(12) **United States Design Patent** (10) **Patent No.:** **US D899,764 S**
Shelton (45) **Date of Patent:** **** Oct. 27, 2020**

- (54) **COMBINATION KEY RING AND FRAGRANCE DISPENSER**
- (71) Applicant: **Nicole Shelton**, Astoria, NY (US)
- (72) Inventor: **Nicole Shelton**, Astoria, NY (US)
- (**) Term: **15 Years**
- (21) Appl. No.: **29/671,389**
- (22) Filed: **Nov. 27, 2018**

D802,390 S *	11/2017	Walbroel	D8/40
D834,304 S *	11/2018	Shelton	D3/208
D834,305 S *	11/2018	Shelton	D3/208
D834,306 S *	11/2018	Shelton	D3/208
D834,307 S *	11/2018	Shelton	D3/208
D837,507 S *	1/2019	Shelton	D3/208
D837,508 S *	1/2019	Shelton	D3/208

* cited by examiner

Primary Examiner — Kevin K Rudzinski
Assistant Examiner — Amber J Rabie
(74) *Attorney, Agent, or Firm* — Robinson IP Law, PLLC

Related U.S. Application Data

- (62) Division of application No. 29/612,882, filed on Aug. 4, 2017, now Pat. No. Des. 834,304.
- (51) **LOC (12) Cl.** **03-01**
- (52) **U.S. Cl.**
USPC **D3/208**
- (58) **Field of Classification Search**
USPC D3/207, 208, 209, 210, 211, 212; D8/33, D8/34, 38
CPC .. A44B 15/00; Y10T 70/8676; Y10T 24/1379
See application file for complete search history.

(57) **CLAIM**

The ornamental design for a combination key ring and fragrance dispenser, as shown and described.

DESCRIPTION

FIG. 1 is a front, left perspective view of the combination key ring and fragrance dispenser showing my new design; FIG. 2 is a front elevational view thereof; FIG. 3 is a left side elevational view thereof, the right side being a mirror image thereof; FIG. 4 is a top view thereof; and, FIG. 5 is a bottom view thereof.

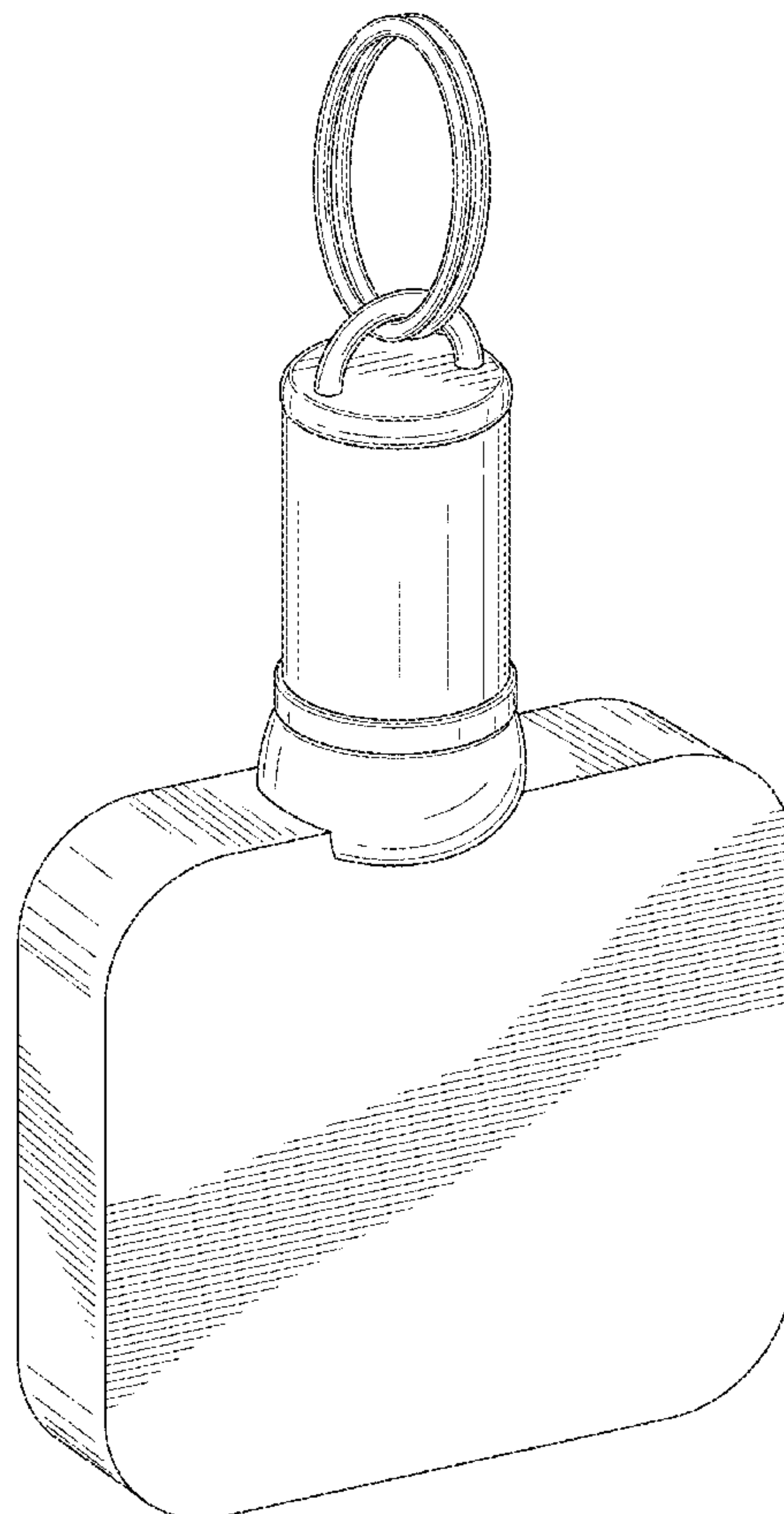
The thin solid lines in the views have been provided for the purpose of illustrating the uniformity of the planar surfaces and the contour of the curved surfaces and are not a claimed surface pattern.

(56) **References Cited**

U.S. PATENT DOCUMENTS

D646,888 S *	10/2011	Kieswetter	D3/208
D783,268 S *	4/2017	Shelton	D28/91.1

1 Claim, 4 Drawing Sheets



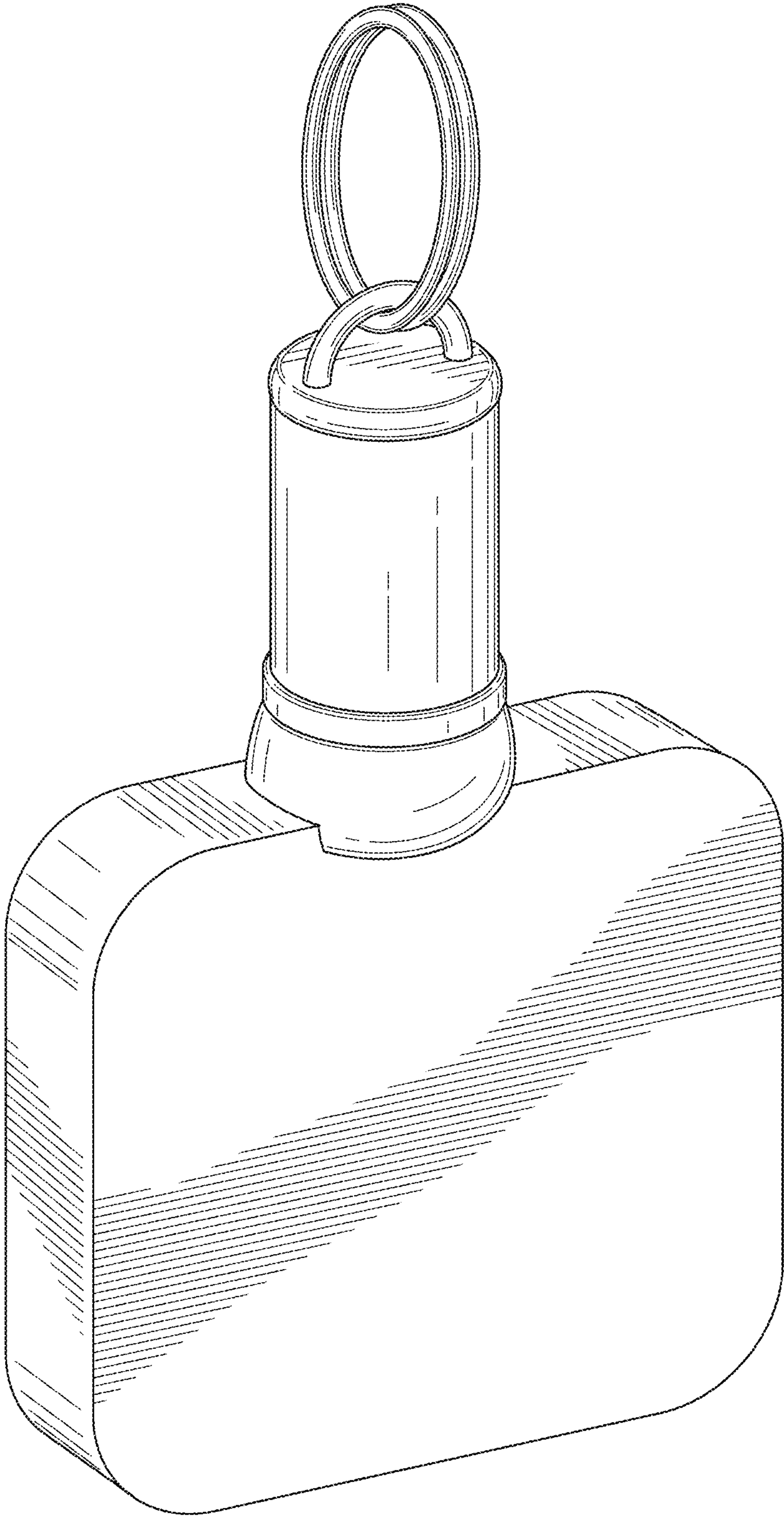


FIG. 1

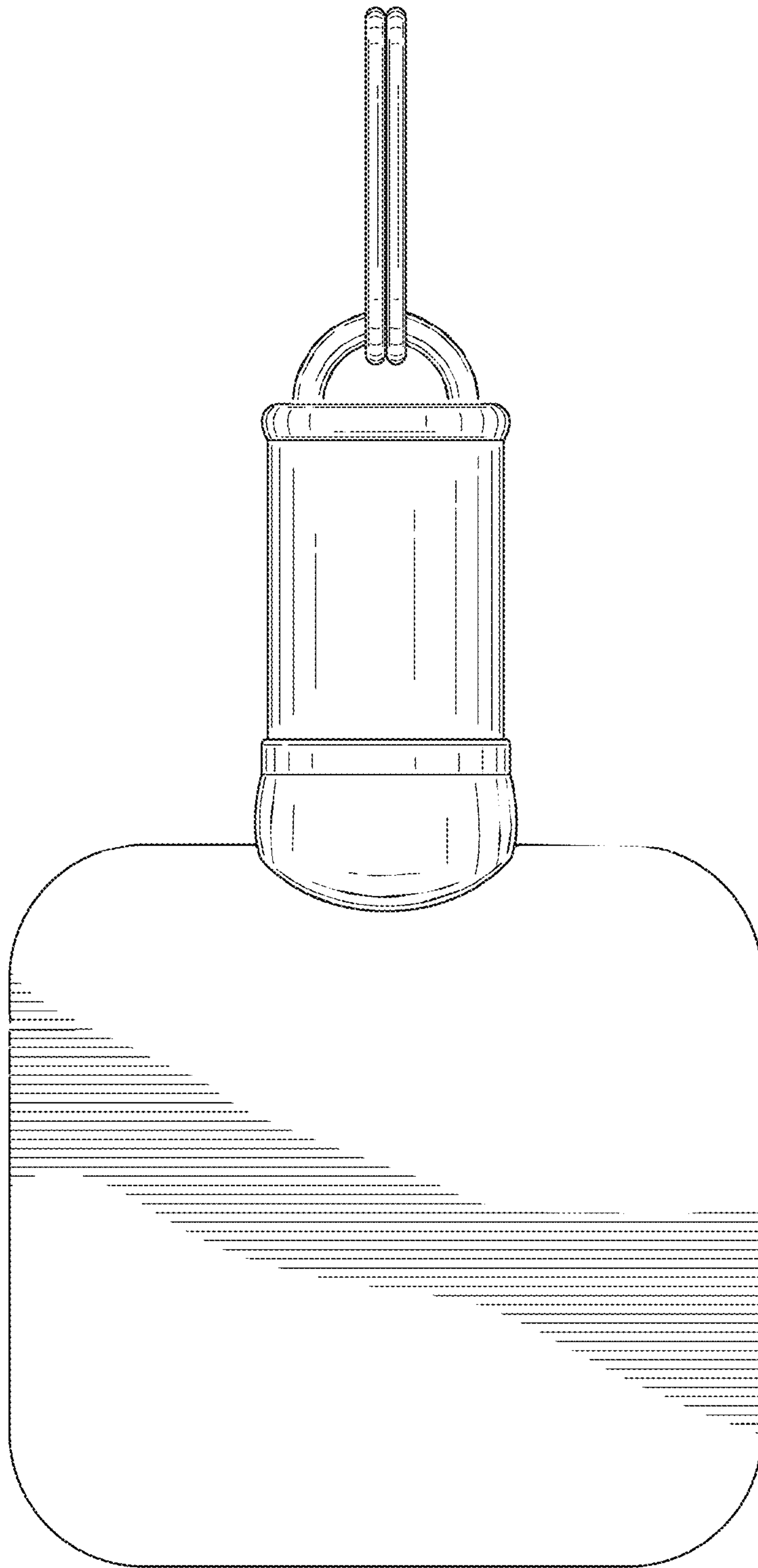


FIG. 2

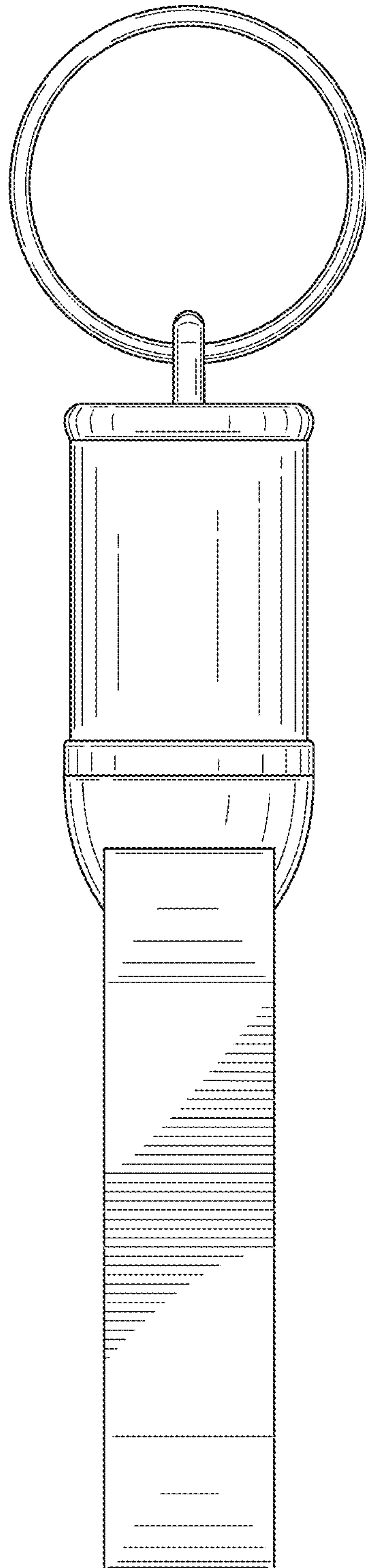


FIG. 3

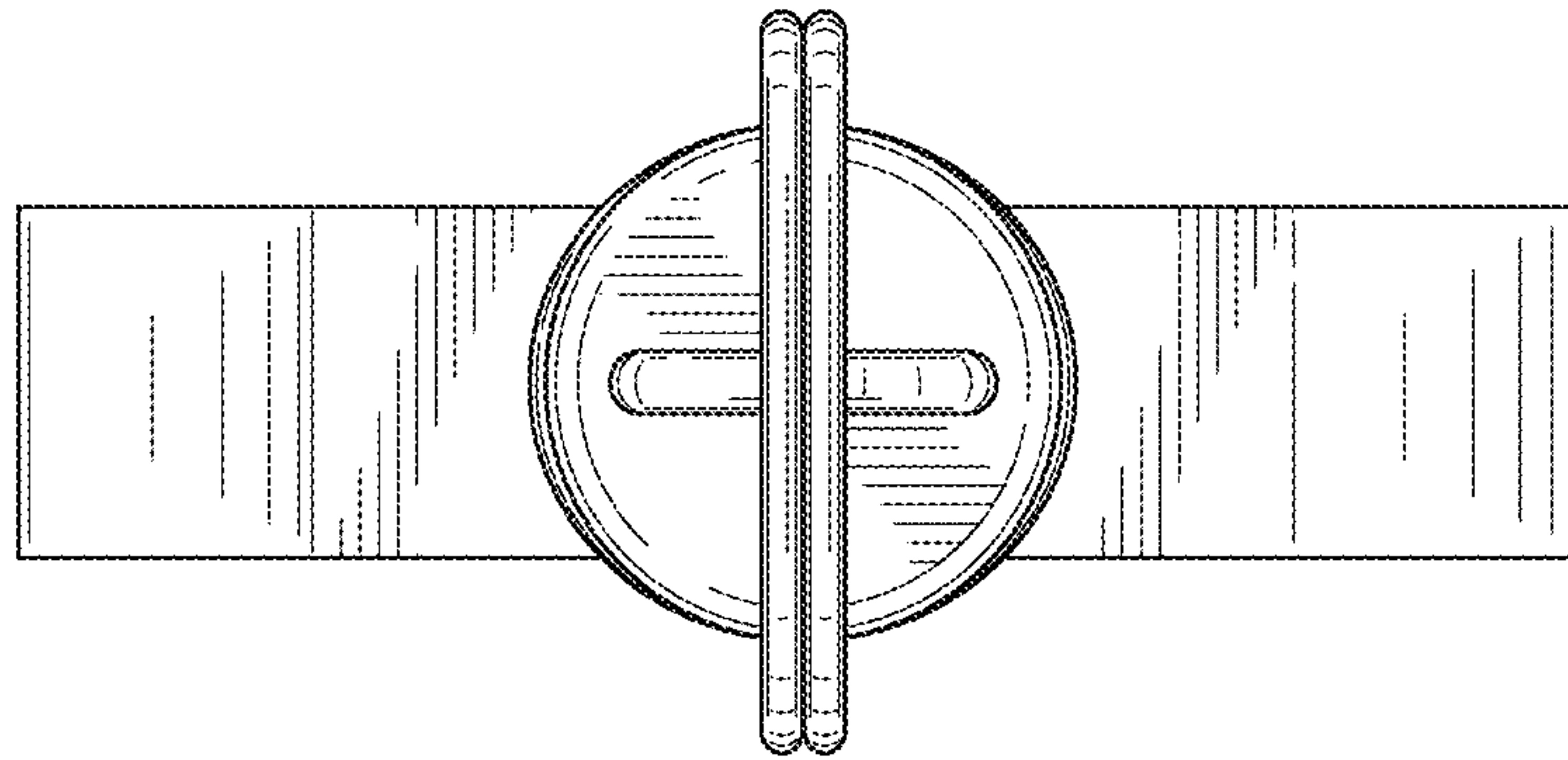


FIG. 4

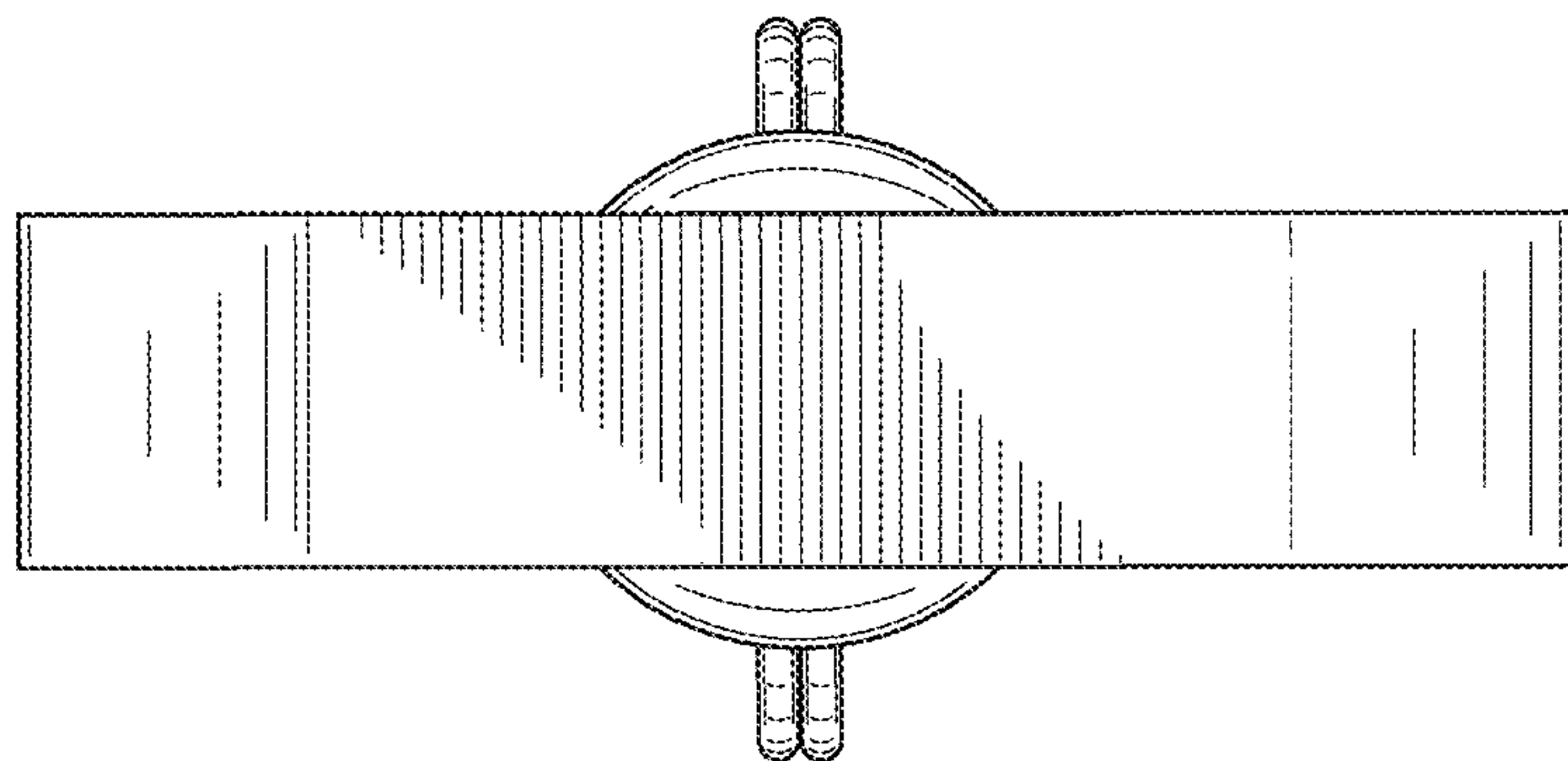


FIG. 5