



US00D899761S

(12) **United States Design Patent**
Holbrook et al.

(10) **Patent No.:** **US D899,761 S**

(45) **Date of Patent:** **** Oct. 27, 2020**

- (54) **UMBRELLA**
- (71) Applicants: **Richard Holbrook**, Pasadena, CA
(US); **Darren Mark**, Pasadena, CA
(US)
- (72) Inventors: **Richard Holbrook**, Pasadena, CA
(US); **Darren Mark**, Pasadena, CA
(US)
- (**) Term: **15 Years**
- (21) Appl. No.: **29/725,451**
- (22) Filed: **Feb. 25, 2020**
- (51) **LOC (12) Cl.** **03-03**
- (52) **U.S. Cl.**
USPC **D3/5**
- (58) **Field of Classification Search**
USPC D3/5, 6, 10
CPC ... A45B 2011/005; A45B 17/00; A45B 19/00;
A45B 19/08; A45B 19/10; A45B 23/00;
A45B 2023/0006; A45B 2023/2023;
A45B 2023/0012; A45B 2023/0031;
A45B 2023/0037; A45B 2023/0043;
A45B 2023/005; A45B 2023/0056; A45B
25/00; A45B 25/02; A45B 25/06; A45B
25/10

See application file for complete search history.

(56) **References Cited**

U.S. PATENT DOCUMENTS

- 3,383,814 A * 5/1968 Rowe A45B 17/00
52/83
- 4,084,600 A * 4/1978 dePolo A45B 19/00
135/15.1
- 4,567,907 A * 2/1986 Dubinsky A45B 23/00
135/20.3
- D294,772 S * 3/1988 Baldwin D3/5
- D306,093 S * 2/1990 Lerch D3/5
- 4,962,780 A * 10/1990 Engdahl A45B 25/02
135/16

- 4,971,090 A * 11/1990 Uhl A45B 23/00
135/98
- 5,090,435 A * 2/1992 Leclercq A45B 23/00
135/116
- 5,143,107 A * 9/1992 Kelley A45B 3/00
135/16
- D373,465 S * 9/1996 Chipman 135/33.2
- D373,466 S * 9/1996 Chipman 135/33.2
- D373,467 S * 9/1996 Chipman 135/33.2

(Continued)

FOREIGN PATENT DOCUMENTS

- EP 1654952 5/2006
- EP 2845509 3/2015

(Continued)

OTHER PUBLICATIONS

umbrosa.be/en, Feb. 13, 2020, Internet printout: <https://www.umbrosa.be/en>.

(Continued)

Primary Examiner — Steven J Czyz

(74) *Attorney, Agent, or Firm* — Todd R. Miller

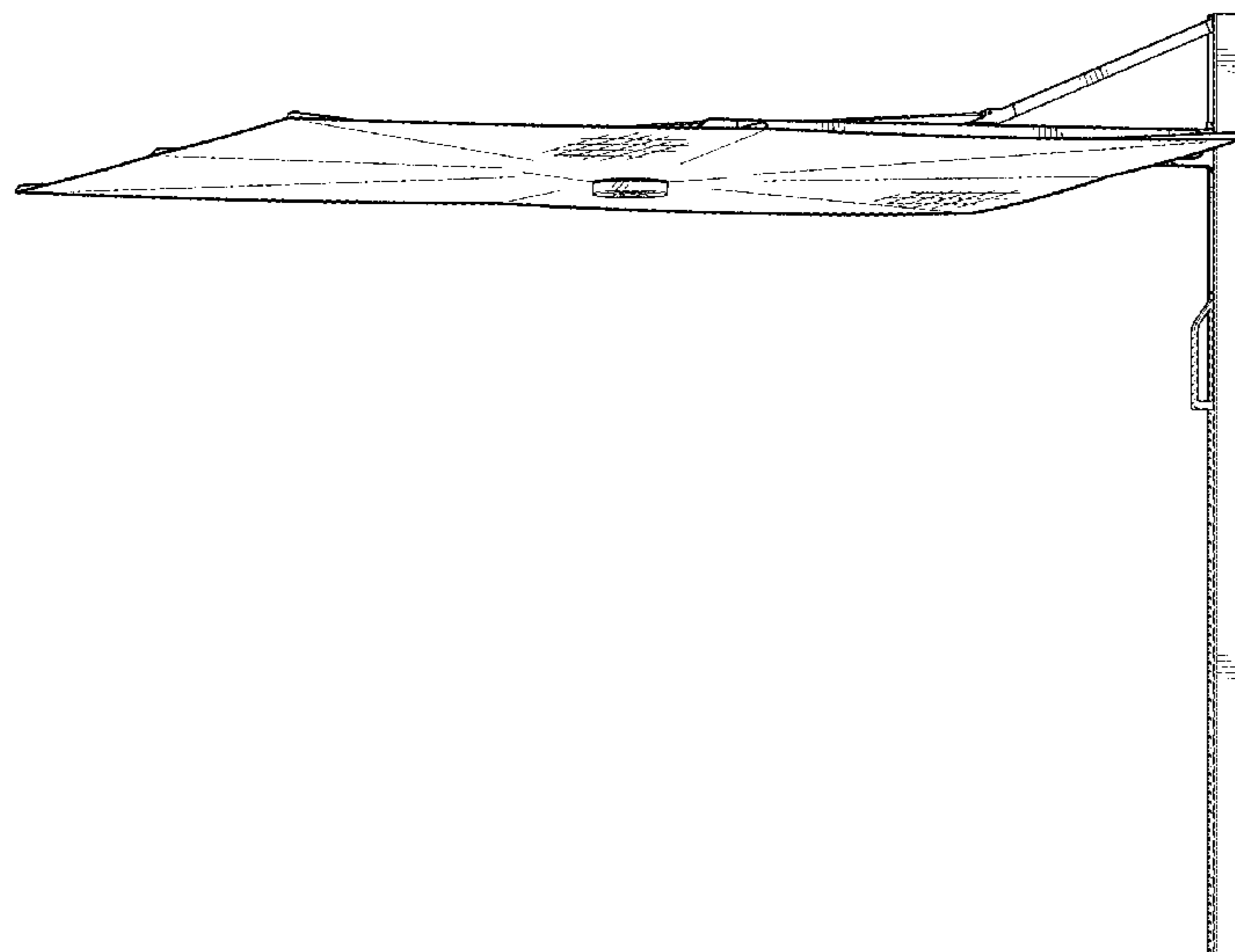
(57) **CLAIM**

The ornamental design for an umbrella, as shown and described.

DESCRIPTION

FIG. 1 is a perspective view embodying the inventive umbrella design;
 FIG. 2 is a right side view thereof, with the left side being a mirror image thereof;
 FIG. 3 is a front view thereof;
 FIG. 4 is a rear view thereof;
 FIG. 5 is a top view thereof; and,
 FIG. 6 is a bottom view thereof.
 The broken lines in the figures depict portions of the article that form no part of the claimed design.

1 Claim, 6 Drawing Sheets



(56)

References Cited

U.S. PATENT DOCUMENTS

5,638,846 A * 6/1997 Basso A45B 25/02
135/19.5
5,738,129 A * 4/1998 Vogt A45B 19/00
135/19.5
5,826,604 A * 10/1998 Hartmann A45B 19/02
135/27
5,868,152 A * 2/1999 Brown A45B 3/00
135/19
6,116,256 A * 9/2000 Pawsey A45B 19/00
135/147
6,305,394 B1 * 10/2001 Reese A45B 11/00
135/20.1
6,325,084 B1 * 12/2001 Cohen A45B 3/00
135/16
D475,524 S * 6/2003 Clarke D3/5
D503,272 S * 3/2005 Machin D3/10
6,941,958 B1 * 9/2005 Sobek A45B 19/02
135/20.3
D513,118 S * 12/2005 Browne D3/5
D516,294 S * 3/2006 Olson D3/5
D526,476 S * 8/2006 Browne D3/5
7,178,535 B2 2/2007 Eder
7,318,444 B2 * 1/2008 Clarke A45B 25/06
135/28
7,481,232 B2 * 1/2009 Apple A45B 23/00
135/16
D586,549 S * 2/2009 Hermanson D3/10
D586,550 S * 2/2009 Hermanson D3/10
D609,453 S * 2/2010 Liu D3/5
D621,600 S * 8/2010 He D3/5
7,900,643 B2 * 3/2011 Ma A45B 19/04
135/28
D638,622 S * 5/2011 He D3/5
8,061,375 B2 * 11/2011 Ma A45B 25/02
135/28
8,166,986 B2 * 5/2012 Ma A45B 25/10
135/19.5
D707,037 S * 6/2014 Tetsuro D3/5
D731,166 S * 6/2015 Ma D3/5
9,271,550 B2 * 3/2016 Xiong A45B 23/00
D759,367 S * 6/2016 Zaccaro D3/5
D759,955 S * 6/2016 Ma D3/10

D765,387 S * 9/2016 Chow D3/5
9,433,268 B2 * 9/2016 Ma A45B 17/00
9,468,273 B1 * 10/2016 Hasselbach A45B 25/143
9,565,907 B2 * 2/2017 Ma A45B 25/02
9,578,813 B2 * 2/2017 Dingwerth E04H 15/28
D799,199 S * 10/2017 Akin D3/10
D813,524 S * 3/2018 Ma D3/10
D814,172 S * 4/2018 Ma D3/10
9,930,942 B2 * 4/2018 Ma A45B 23/00
D818,697 S * 5/2018 Ma D3/5
D820,581 S * 6/2018 Ma D3/10
D833,136 S * 11/2018 Ma D3/10
D833,137 S * 11/2018 Ma D3/10
D847,487 S * 5/2019 Ma D3/10
10,492,579 B1 * 12/2019 Volin A45B 25/18
10,537,161 B1 * 1/2020 Volin A45B 25/10
10,538,937 B2 * 1/2020 Gharabegian A45B 11/00
10,548,378 B2 * 2/2020 Mundt A45B 25/02
10,565,631 B2 * 2/2020 Gharabegian G06F 3/04883
10,609,994 B2 * 4/2020 Vanderminden F16M 13/00
2006/0102215 A1 * 5/2006 Eder A45B 25/10
135/29
2007/0062565 A1 * 3/2007 Clarke A45B 25/22
135/16

FOREIGN PATENT DOCUMENTS

EP 2223624 7/2015
EP 2774503 4/2017

OTHER PUBLICATIONS

tuuci.com, Feb. 13, 2020, Internet printout: <https://www.tuuci.com/>.
tuuci.com, Feb. 13, 2020, Internet printout: <https://www.tuuci.com/collections/parasols/>.
tropitone.com, Feb. 13, 2020, Internet printout: <https://www.tropitone.com/outdoor-furniture/commercial/product-collection/basta-sole-umbrellas-cabanas>.
shademakerusa.com, Feb. 13, 2020, Internet printout: <https://www.shademakerusa.com/#sirius>.
janusetcie.com, Feb. 13, 2020, Internet printout: <https://www.janusetcie.com/residential/collection/#eT7h6m12>.
janusetcie.com, Feb. 13, 2020, Internet printout: <https://www.janusetcie.com/residential/collections/#FmvmBij3>.

* cited by examiner

FIG. 1

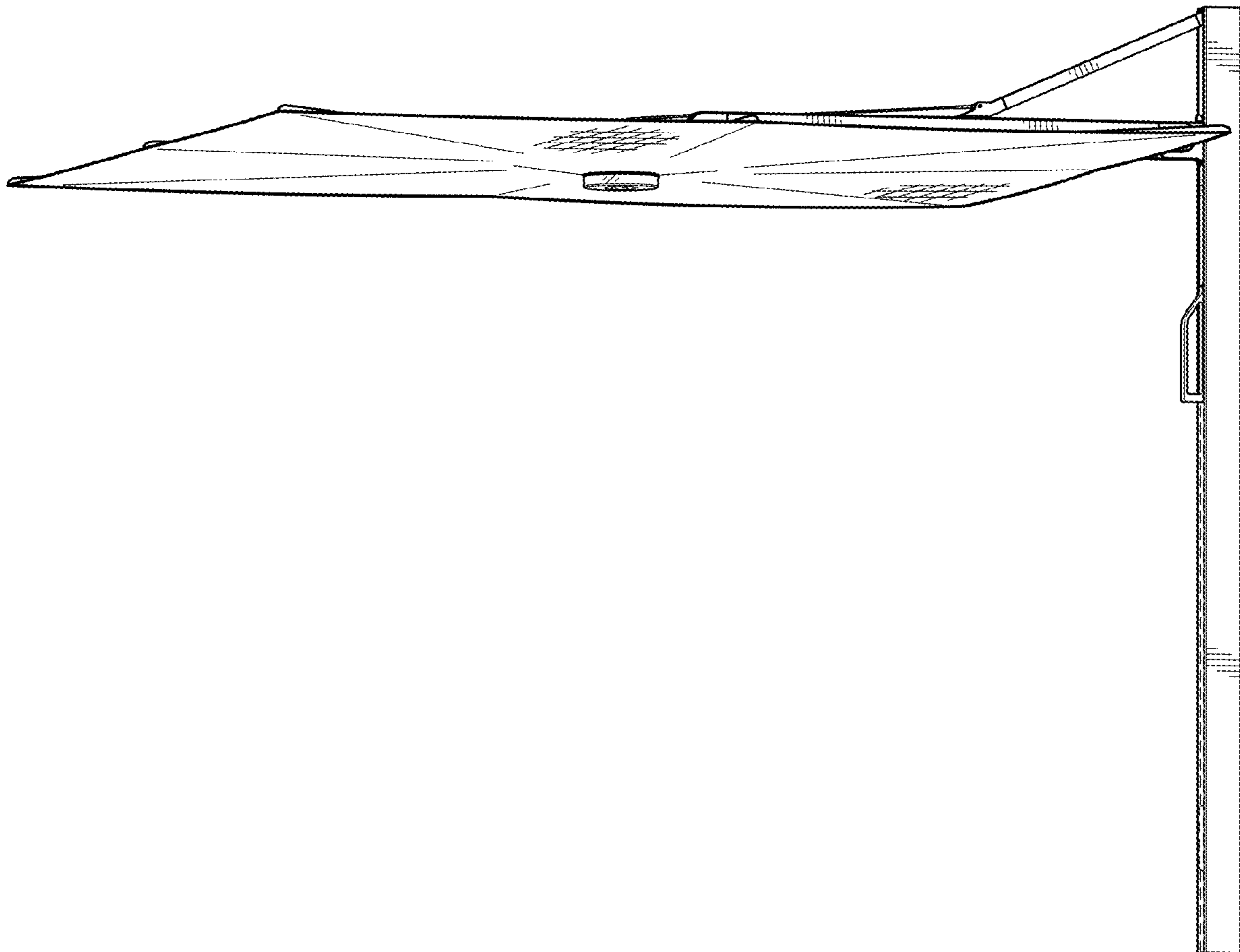


FIG. 2

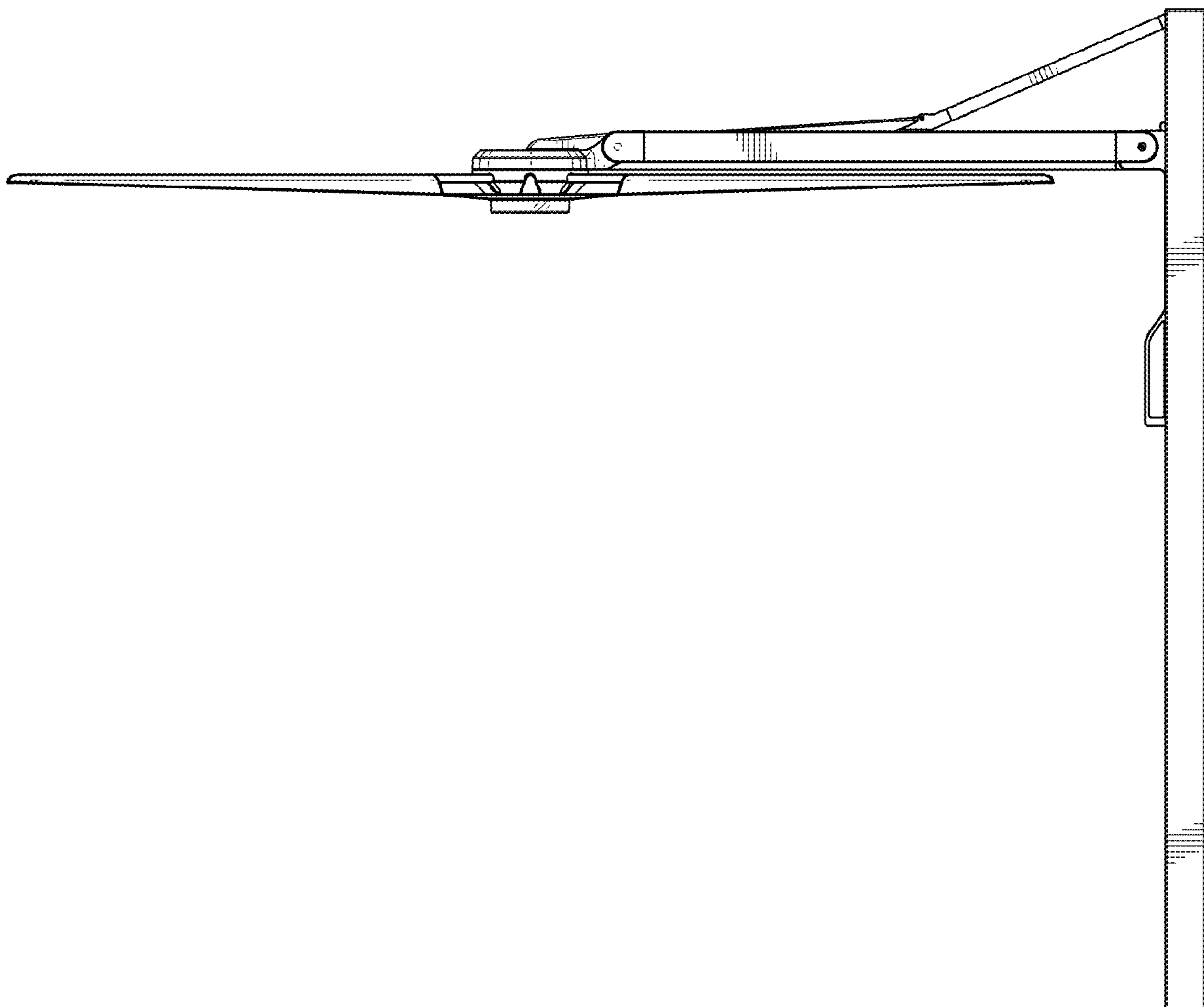


FIG. 3

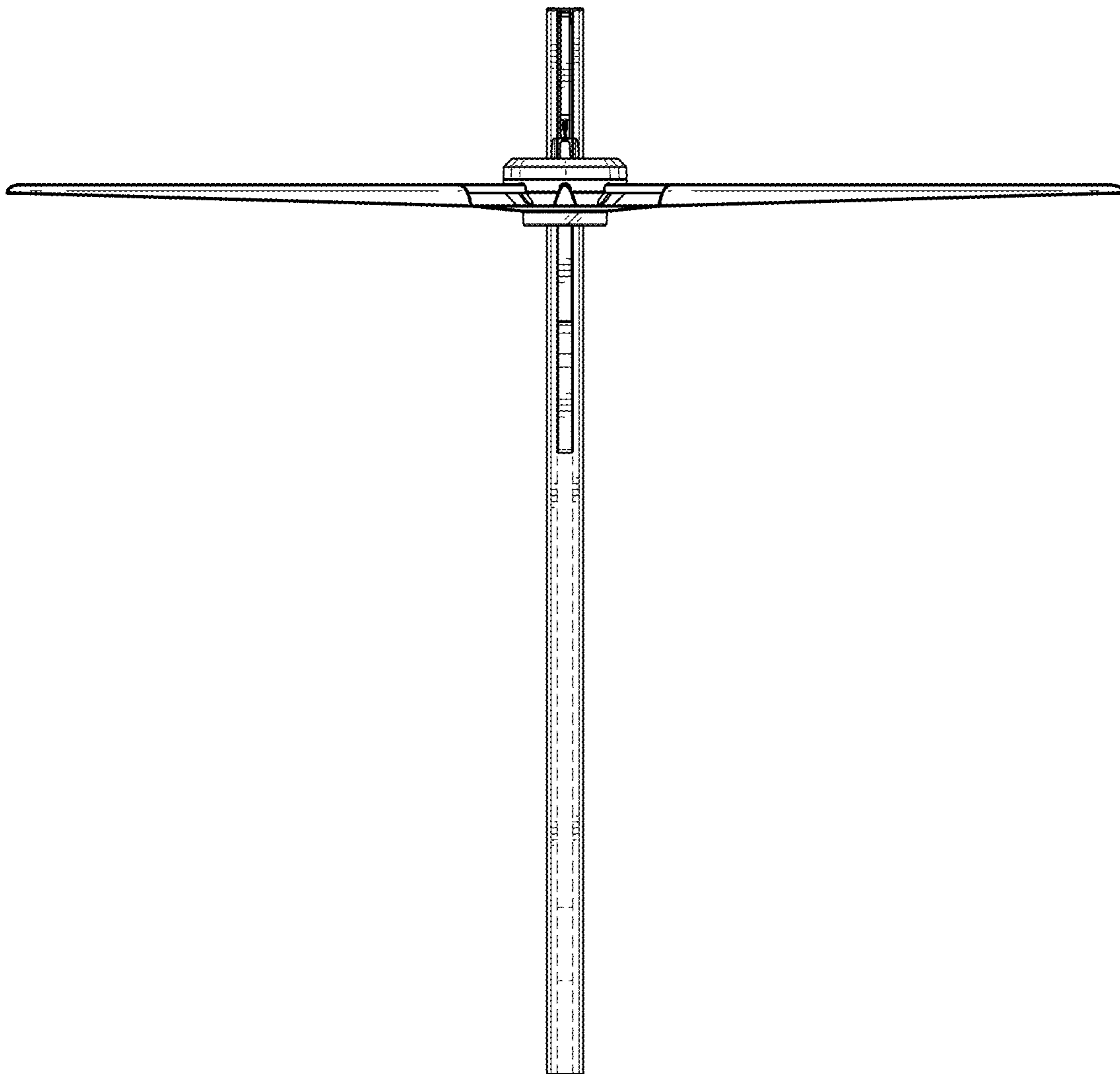


FIG. 4

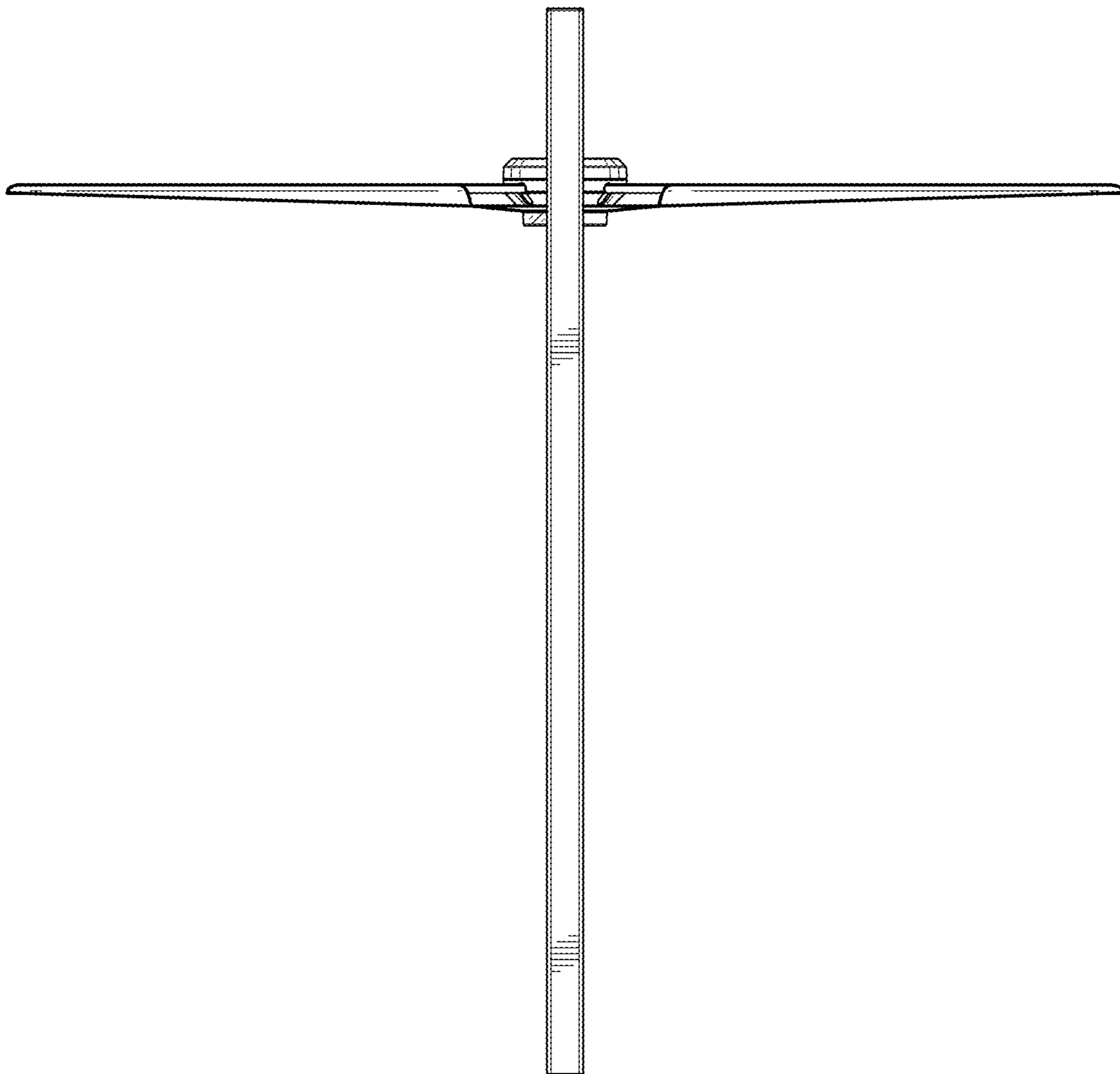


FIG. 5

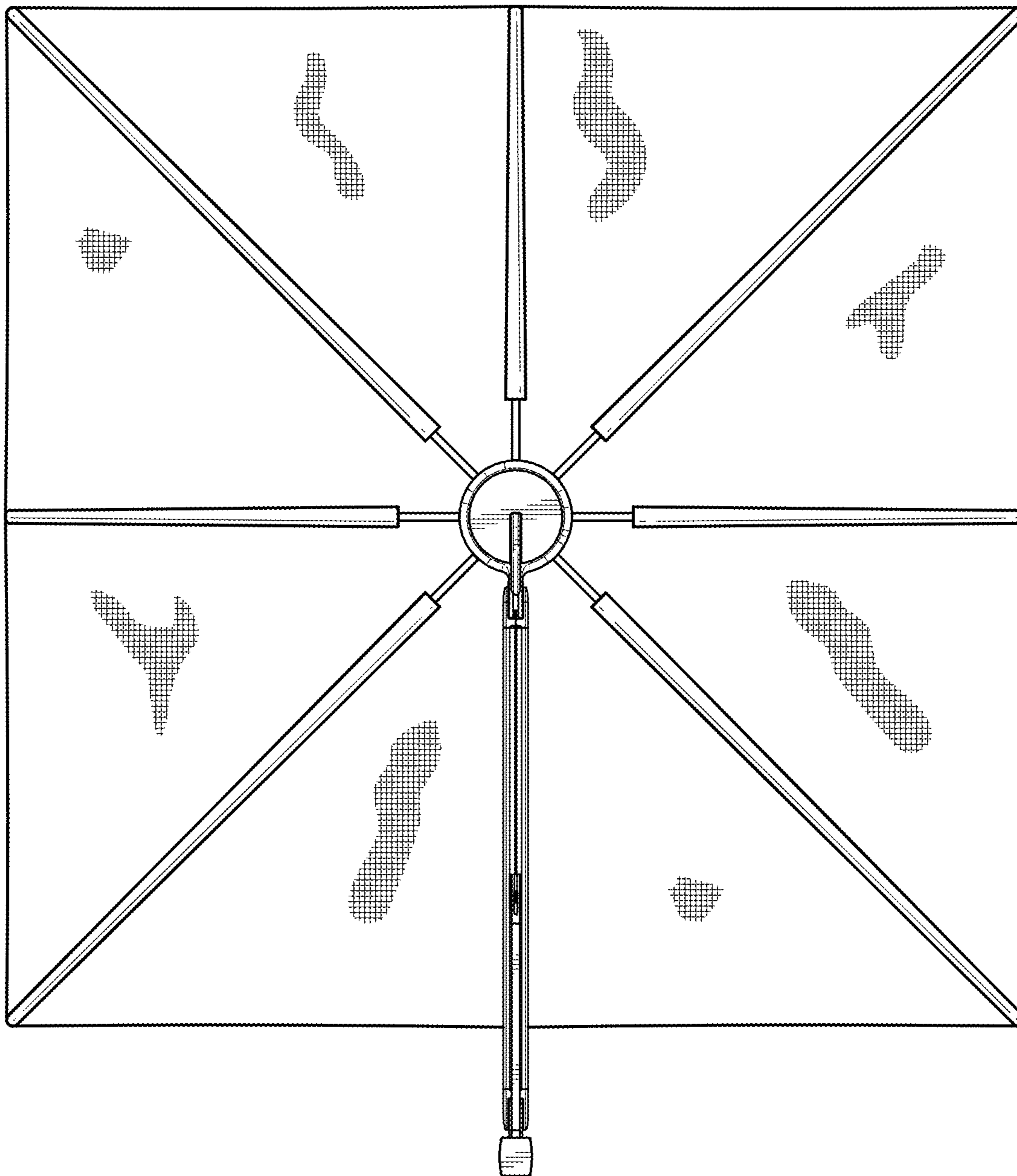


FIG. 6

