



US00D899748S

(12) **United States Design Patent** (10) **Patent No.:** **US D899,748 S**
Vasquez (45) **Date of Patent:** **** Oct. 27, 2020**

(54) **ADJUSTABLE SHOE HEEL**
(71) Applicant: **Juan Vasquez**, Somerville, MA (US)
(72) Inventor: **Juan Vasquez**, Somerville, MA (US)
(**) Term: **15 Years**

(21) Appl. No.: **29/683,041**

(22) Filed: **Mar. 11, 2019**

(51) **LOC (12) Cl.** **02-04**

(52) **U.S. Cl.**
USPC **D2/965**

(58) **Field of Classification Search**
USPC D2/641-642, 945, 965, 979, 983, 999
CPC A43B 21/36; A43B 21/42; A43B 21/52;
A43B 21/54; A41D 2300/30
See application file for complete search history.

(56) **References Cited**

U.S. PATENT DOCUMENTS

- 2,707,341 A 5/1955 Romano
- 2,767,489 A 10/1956 Sturman
- 3,266,177 A 8/1966 Holden
- 3,305,948 A * 2/1967 Ronci A43B 21/42
36/34 A
- 3,977,095 A * 8/1976 Phillips A43B 1/0054
36/42
- 4,400,893 A * 8/1983 Musci A43B 21/42
36/24.5
- 5,309,651 A 5/1994 Handel
- 5,953,836 A 9/1999 Watt et al.
- 6,021,586 A 2/2000 Bucalo et al.
- 7,059,068 B2 6/2006 Magallanes et al.
- 7,430,819 B2 10/2008 Auger et al.
- 8,322,053 B2 12/2012 Handel et al.
- 8,453,351 B1 6/2013 Hale
- 8,925,218 B2 1/2015 Anderson
- D749,311 S * 2/2016 Morell A43B 21/42
D2/965
- 9,289,025 B2 3/2016 Damodar
- 9,936,761 B2 4/2018 Alan

- 10,034,518 B2 7/2018 Beaufort
 - 10,045,591 B2 8/2018 Isinhue et al.
 - 2012/0174435 A1 * 7/2012 Ruano Cerdan A43B 1/0054
36/42
 - 2013/0312285 A1 11/2013 Sharma et al.
 - 2016/0198795 A1 * 7/2016 Lopez-Velasquez
A43B 21/42
36/100
 - 2016/0235161 A1 8/2016 Edwin
 - 2016/0309833 A1 * 10/2016 Beaufort A43B 21/42
- (Continued)

FOREIGN PATENT DOCUMENTS

- CN 2927768 8/2007
 - CN 105615138 6/2016
- (Continued)

Primary Examiner — Kevin K Rudzinski
Assistant Examiner — Amber J Rabie
(74) *Attorney, Agent, or Firm* — Lambert Shortell & Connaughton; David J. Connaughton, Jr.; Gary E. Lambert

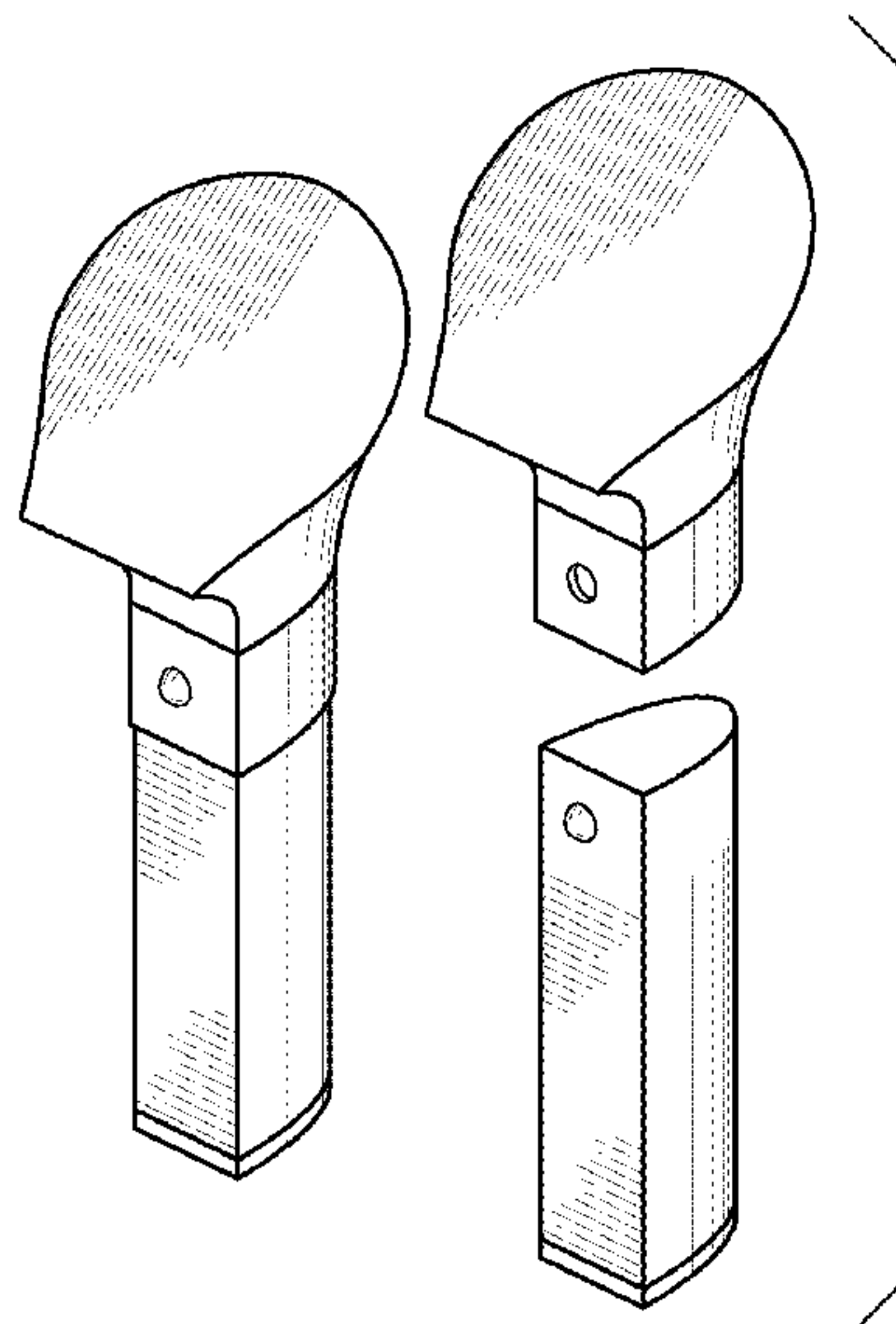
(57) **CLAIM**

The ornamental design for an adjustable shoe heel, as shown and described.

DESCRIPTION

FIG. 1 is a perspective view of the adjustable shoe heel, showing my new design;
FIG. 2 is an exploded perspective view thereof;
FIG. 3 is a side view thereof;
FIG. 4 is a side view thereof;
FIG. 5 is a top view thereof;
FIG. 6 is a bottom view thereof;
FIG. 7 is a front view thereof;
FIG. 8 is a rear view thereof; and,
FIG. 9 is a side view thereof shown in environmental use. The broken lines shoe in FIG. 9 illustrates environmental subject matter that forms no part of the claimed design.

1 Claim, 4 Drawing Sheets



(56)

References Cited

U.S. PATENT DOCUMENTS

2017/0095029 A1 4/2017 Berberian
2018/0020765 A1* 1/2018 Harvey A43B 21/42
36/100
2020/0154828 A1* 5/2020 Duarte A43B 23/02

FOREIGN PATENT DOCUMENTS

DE 202014002253 5/2014
DE 102013215964 2/2015
KR 301022599 * 9/2019

* cited by examiner

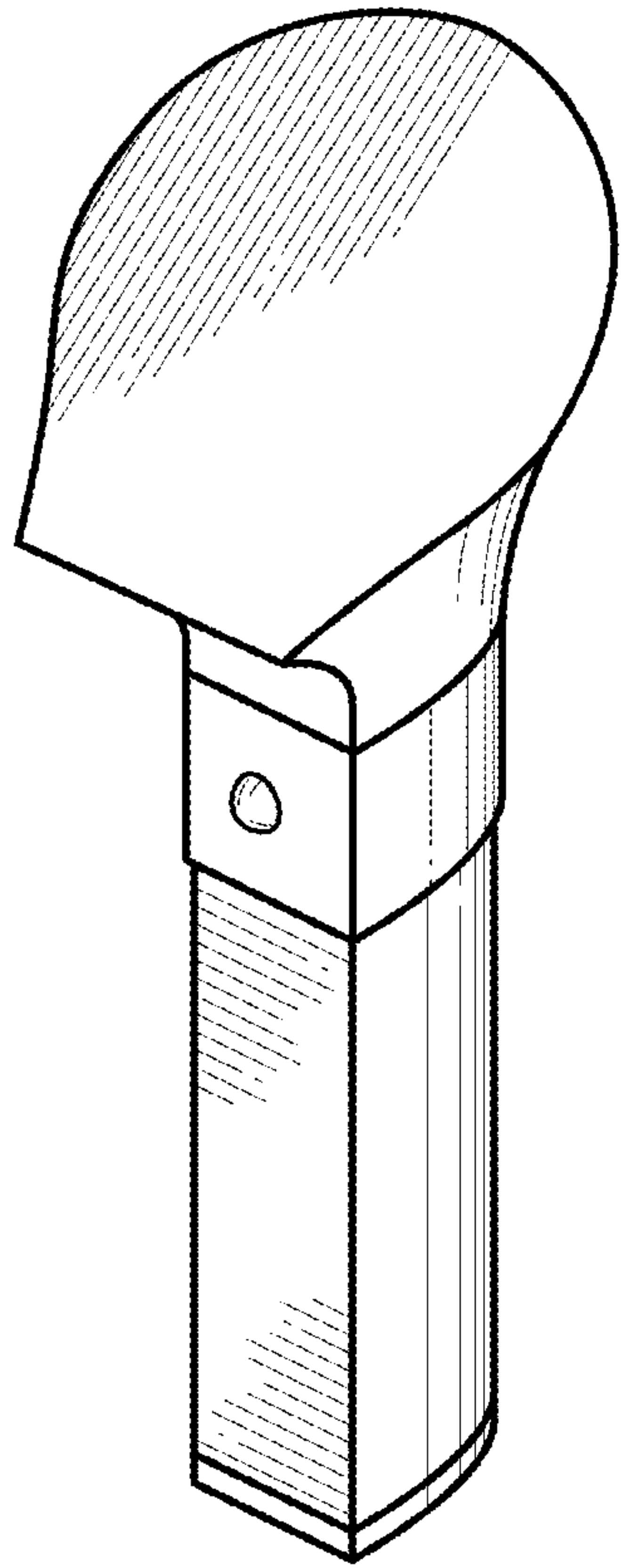


Fig. 1

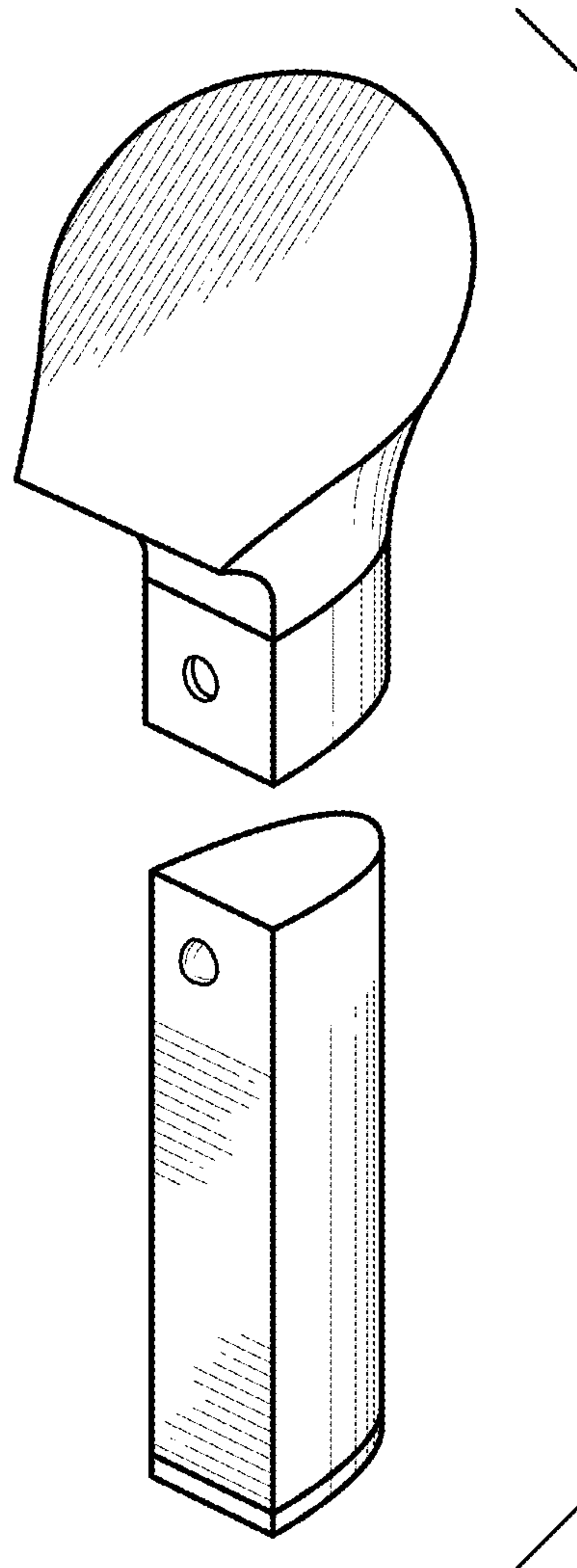


Fig. 2

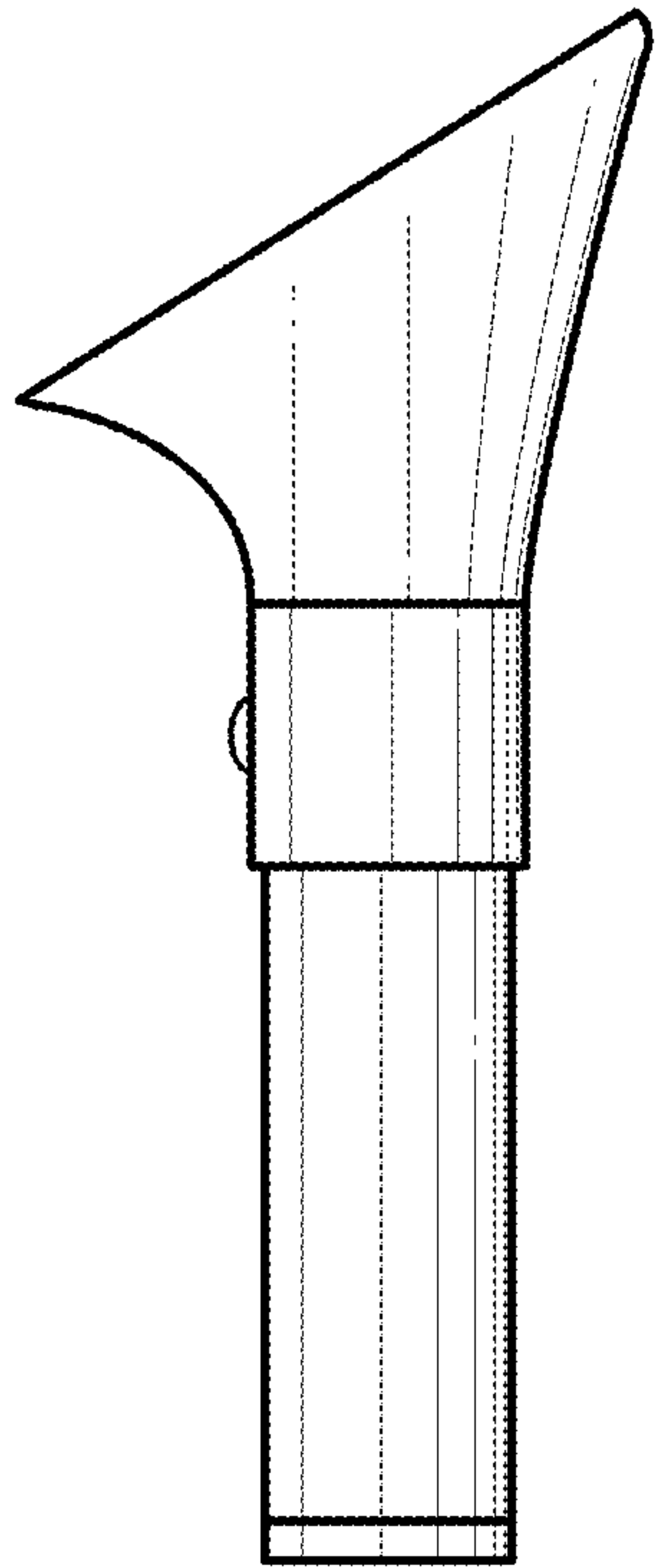


Fig. 3

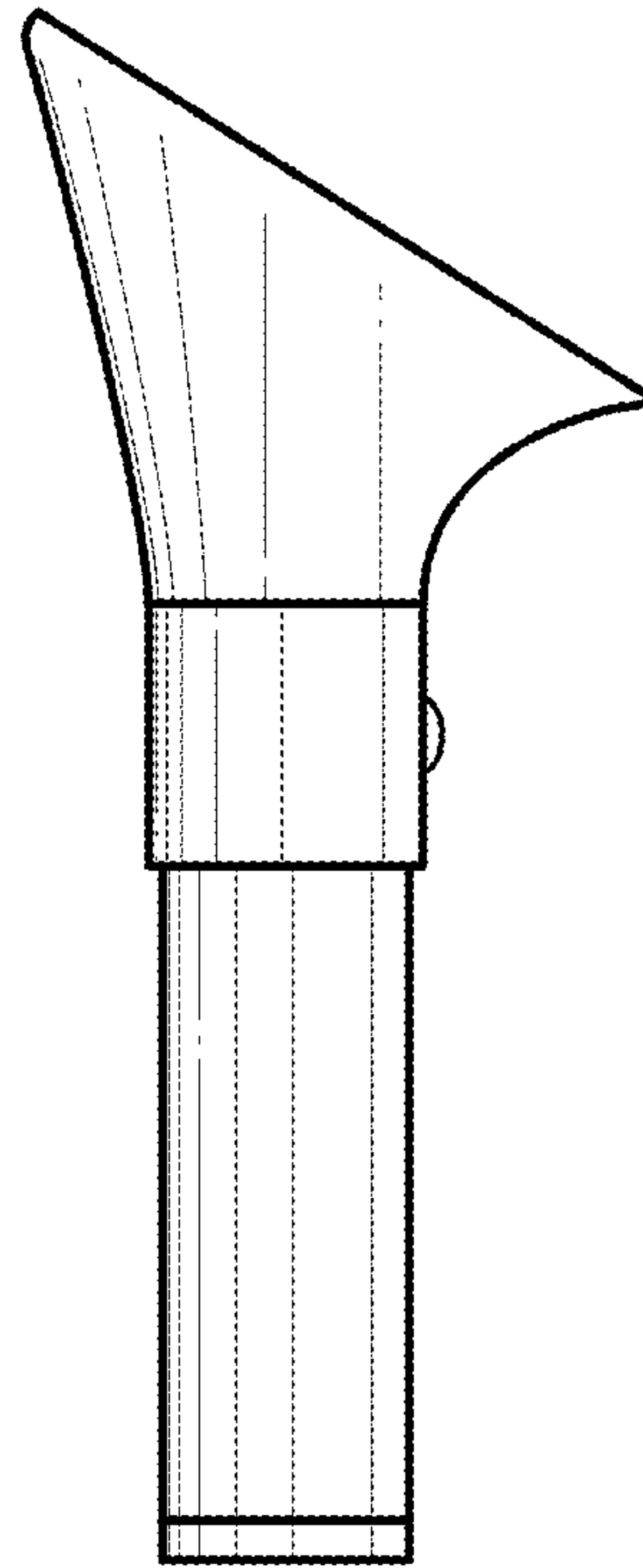


Fig. 4

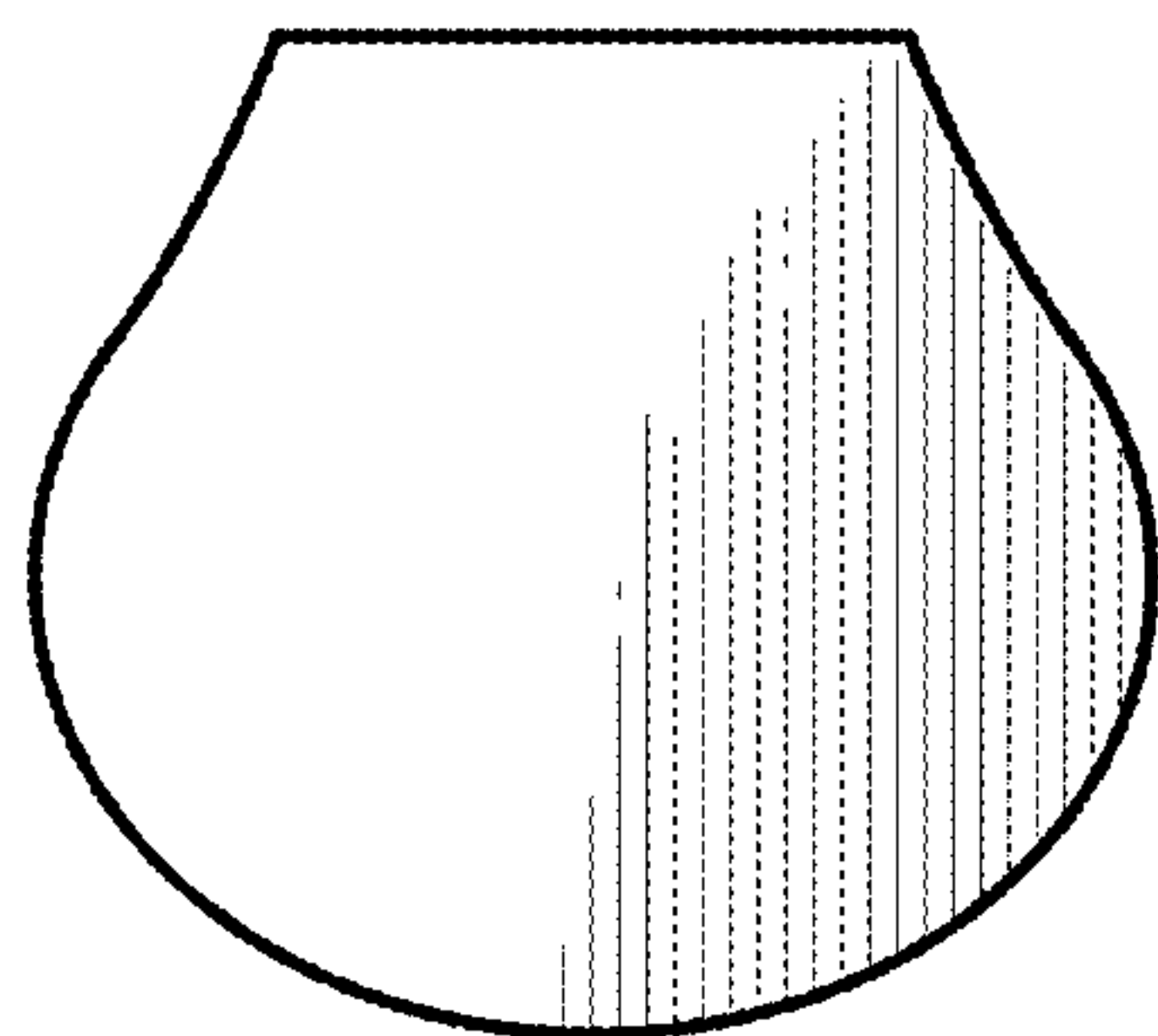


Fig. 5

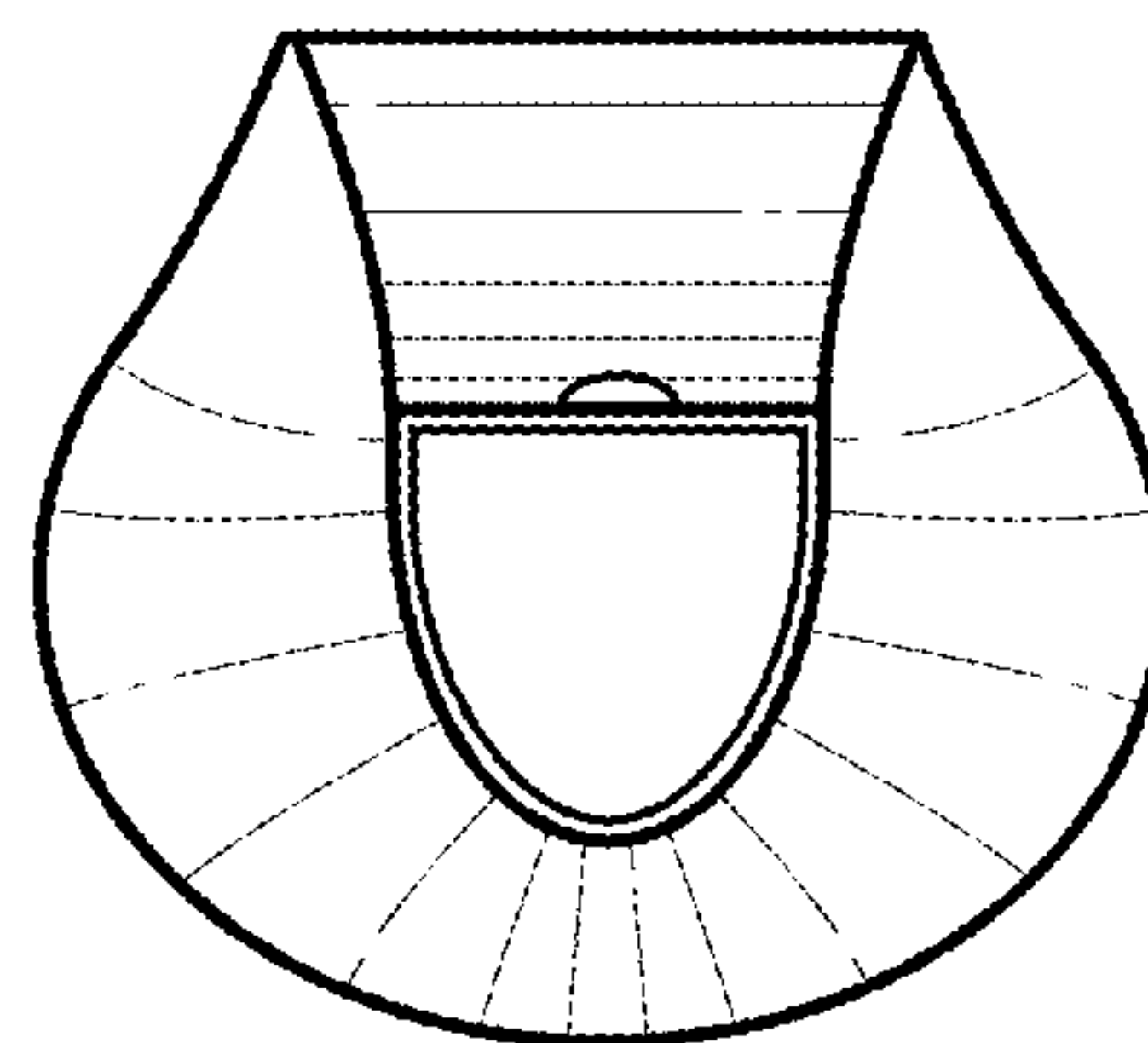


Fig. 6

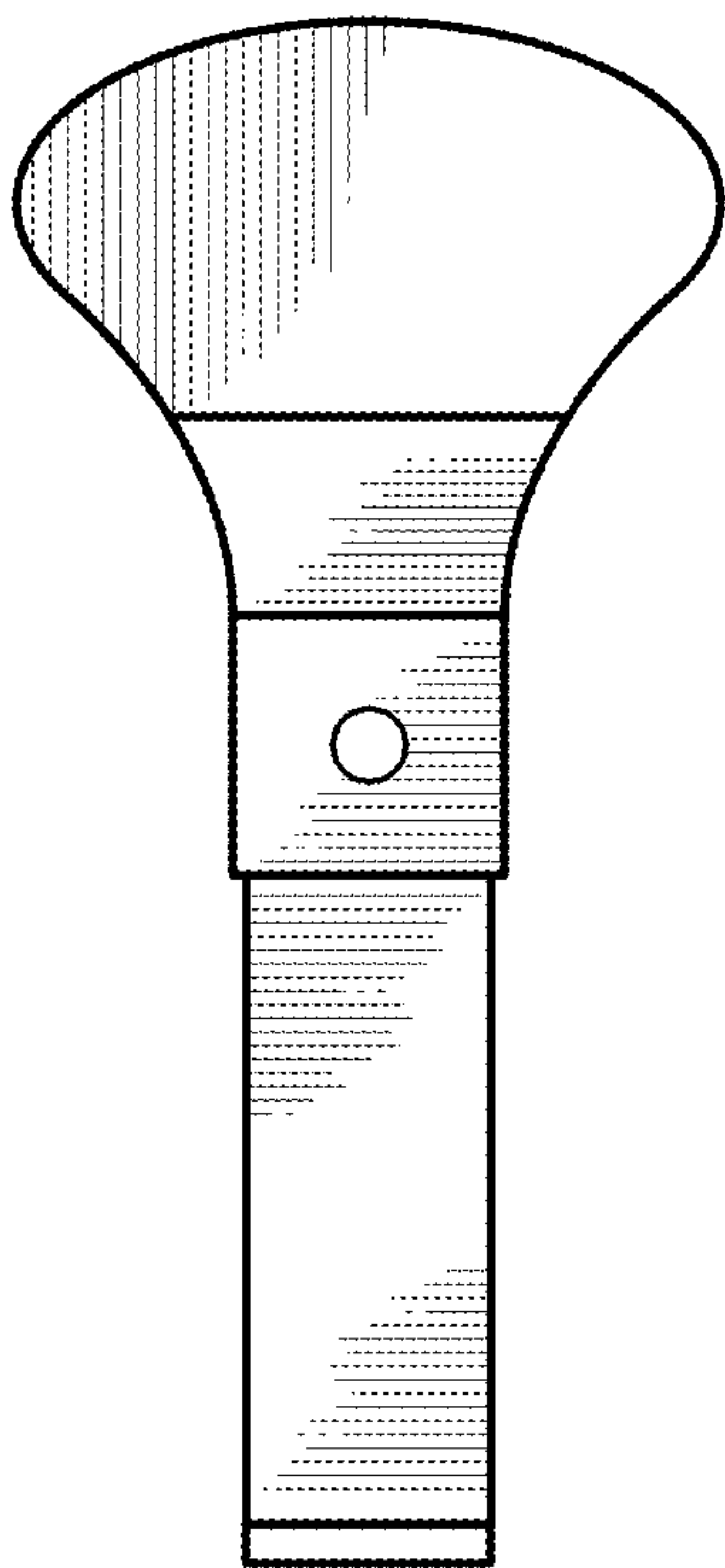


Fig. 7

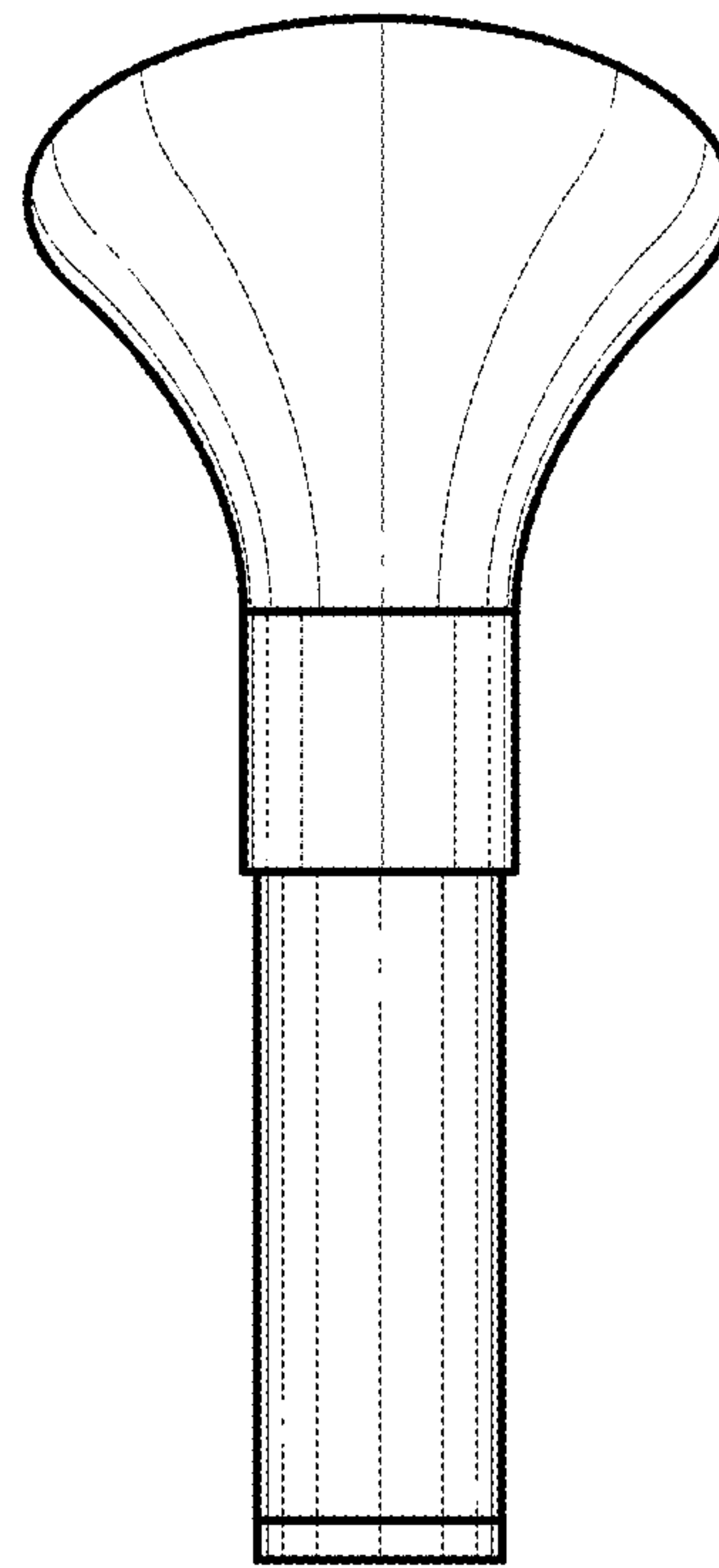


Fig. 8

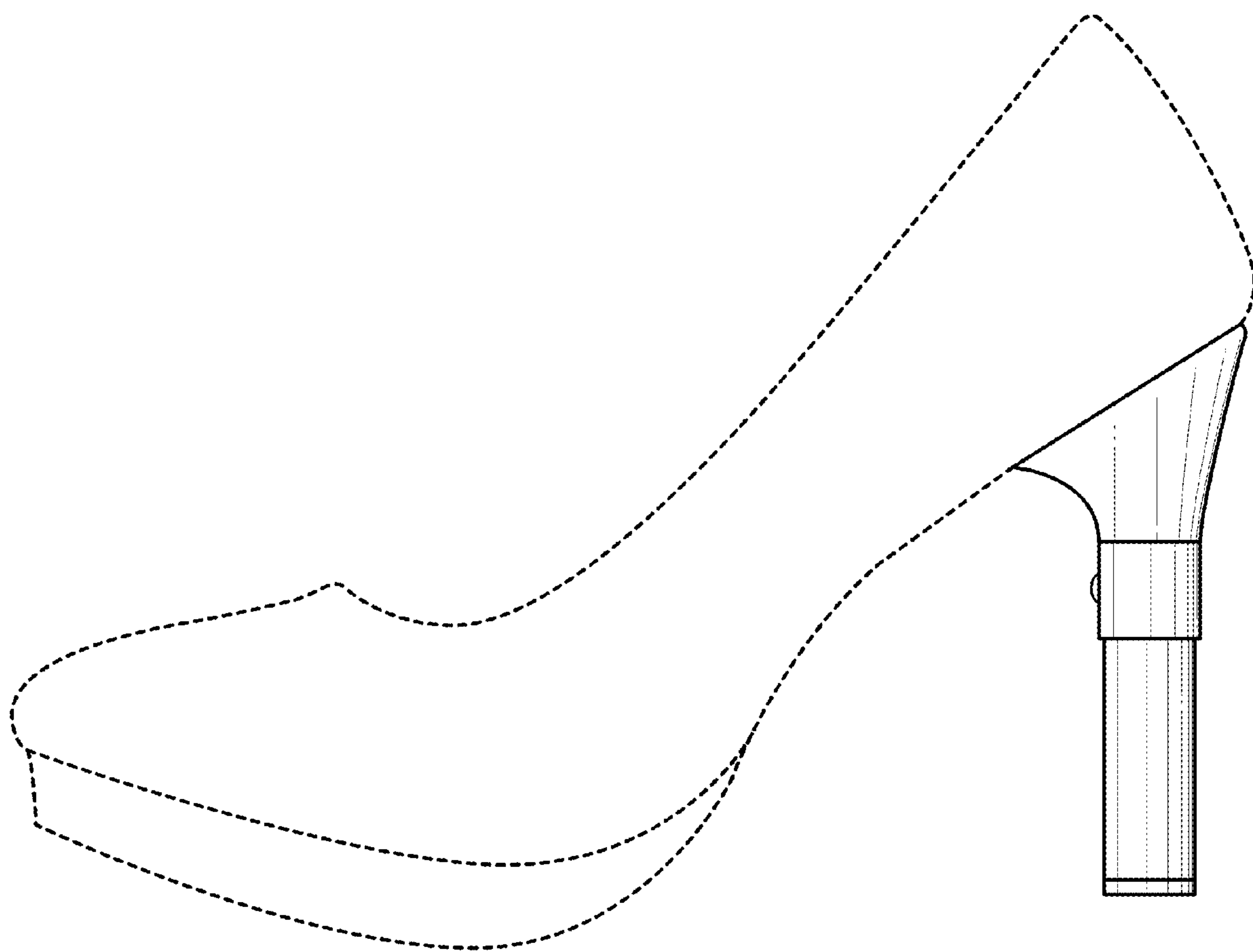


Fig. 9