



US00D899724S

(12) **United States Design Patent**  
**Bentley**

(10) **Patent No.:** **US D899,724 S**

(45) **Date of Patent:** **\*\* Oct. 20, 2020**

(54) **FORK LIFT APPARATUS FOR MOUNTING ON A THREE-POINT HITCH**

(71) Applicant: **John A. Bentley**, Manheim, PA (US)

(72) Inventor: **John A. Bentley**, Manheim, PA (US)

(\*\*) Term: **15 Years**

(21) Appl. No.: **29/686,856**

(22) Filed: **Apr. 8, 2019**

(51) **LOC (12) Cl.** ..... **12-05**

(52) **U.S. Cl.**  
USPC ..... **D34/35**

(58) **Field of Classification Search**  
USPC ..... D34/12-20, 23-28, 33-35, 37; D15/10,  
D15/23-33; D12/86, 90-92, 163, 164,  
D12/169, 171, 196, 216  
CPC .... B60P 1/00; B60P 1/50; B60P 1/483; B66F  
9/06; B66F 9/24; B66F 9/0755; B66F  
9/07572; B66C 23/00

See application file for complete search history.

(56) **References Cited**

**U.S. PATENT DOCUMENTS**

4,895,211	A *	1/1990	Harris	.....	A01B 13/00 172/271
6,065,926	A *	5/2000	Knapp	.....	B66F 9/06 414/607
8,523,217	B2 *	9/2013	Andersen	.....	B60D 1/075 280/511
D703,413	S *	4/2014	Gann	.....	D34/28
D703,906	S *	4/2014	Gann	.....	D34/28
8,979,099	B1 *	3/2015	Ellis	.....	B62B 3/06 280/43.12
10,023,313	B2 *	7/2018	Behrens	.....	F16M 13/02

**OTHER PUBLICATIONS**

3-point Pallet Fork, announced 2016 [online], [site visited Jul. 13, 2020]. Available from internet, URL: <https://www.palletforks.com/3-point/pallet-forks/3-point-pallet-fork-attachment-category-1-tractor-carryall/137100.html> (Year: 2016).\*

KingKutter Bail Forks, announced 2020 [online], [site visited Jul. 13, 2020]. Available from internet, URL: <https://www.ruralking.com/king-kutter-3-point-bale-forks-e-511-jk-green> (Year: 2020).\*

\* cited by examiner

*Primary Examiner* — George A Bugg

*Assistant Examiner* — Tamara L Hahn

(74) *Attorney, Agent, or Firm* — Miller Law Group, PLLC

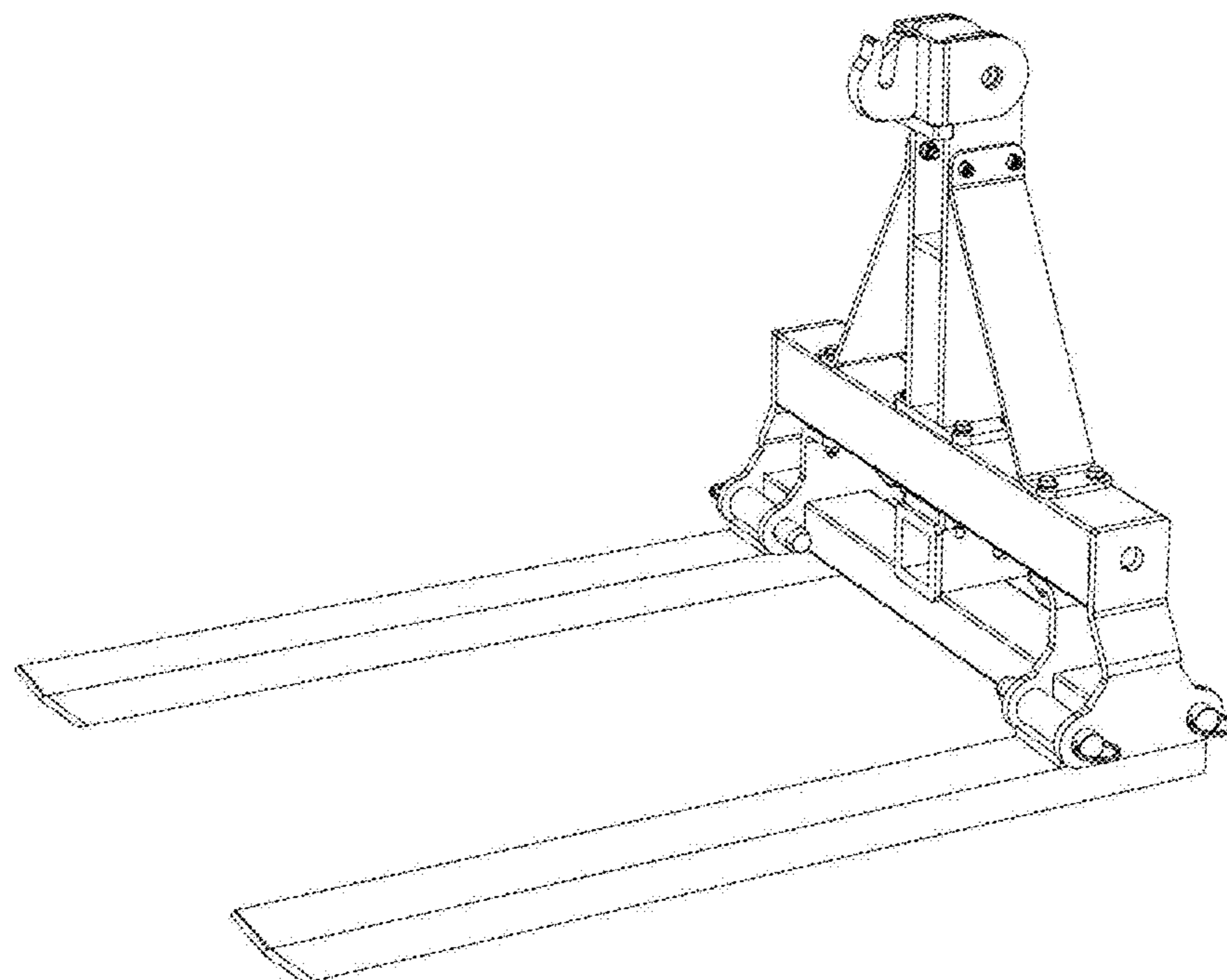
(57) **CLAIM**

The ornamental design for a fork lift apparatus for mounting on a three-point hitch, as shown and described.

**DESCRIPTION**

FIG. 1 is a right front perspective view of the fork lift apparatus for mounting on a three-point hitch; FIG. 2 is a left rear perspective view thereof; FIG. 3 is a lower, left rear perspective view thereof; FIG. 4 is a left side elevational view thereof, the right side elevational view being a mirror image thereof; FIG. 5 is a top plan view thereof; FIG. 6 is a bottom plan view thereof; and, FIG. 7 is a front elevational view thereof.

**1 Claim, 7 Drawing Sheets**



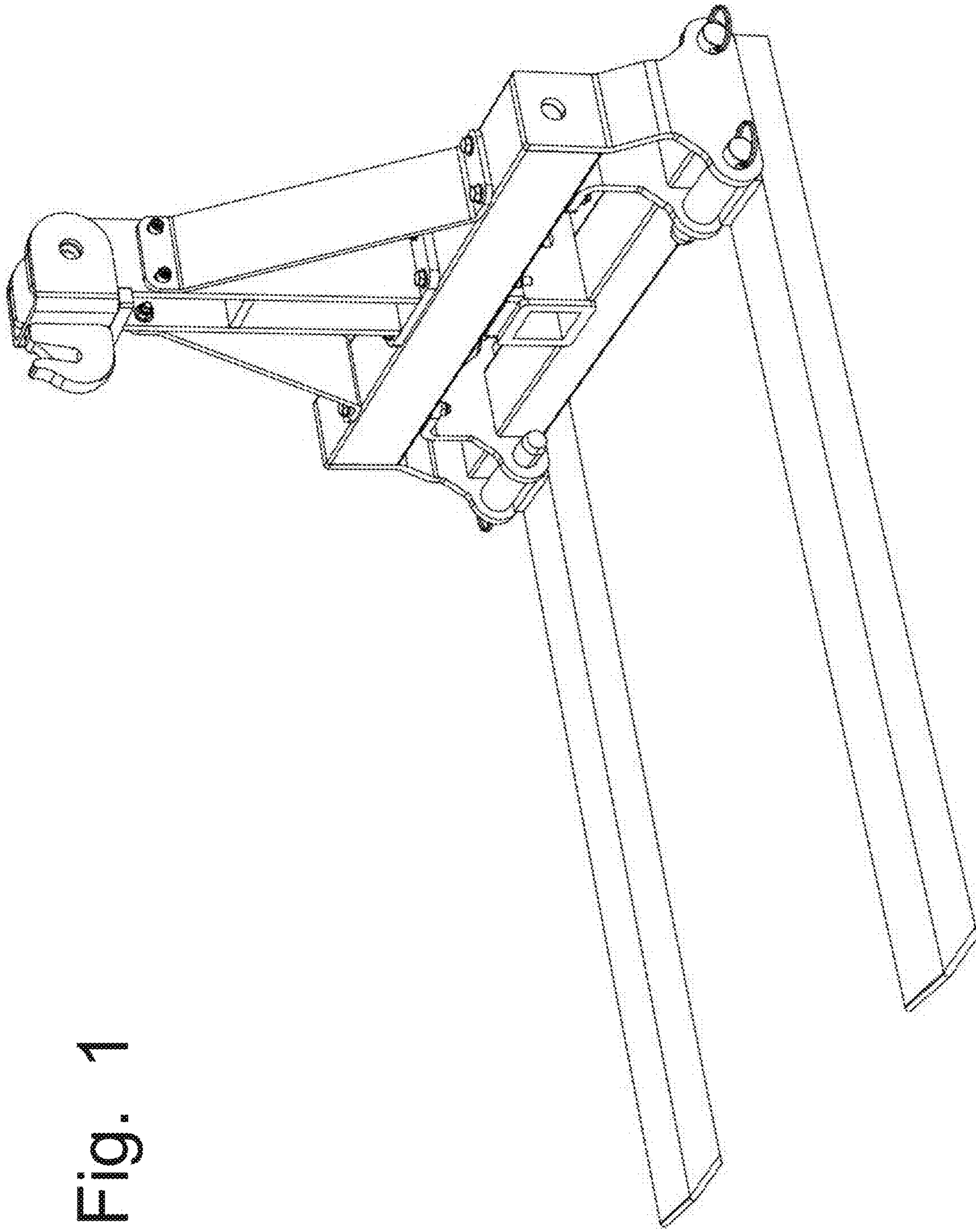


Fig. 1

Fig. 2

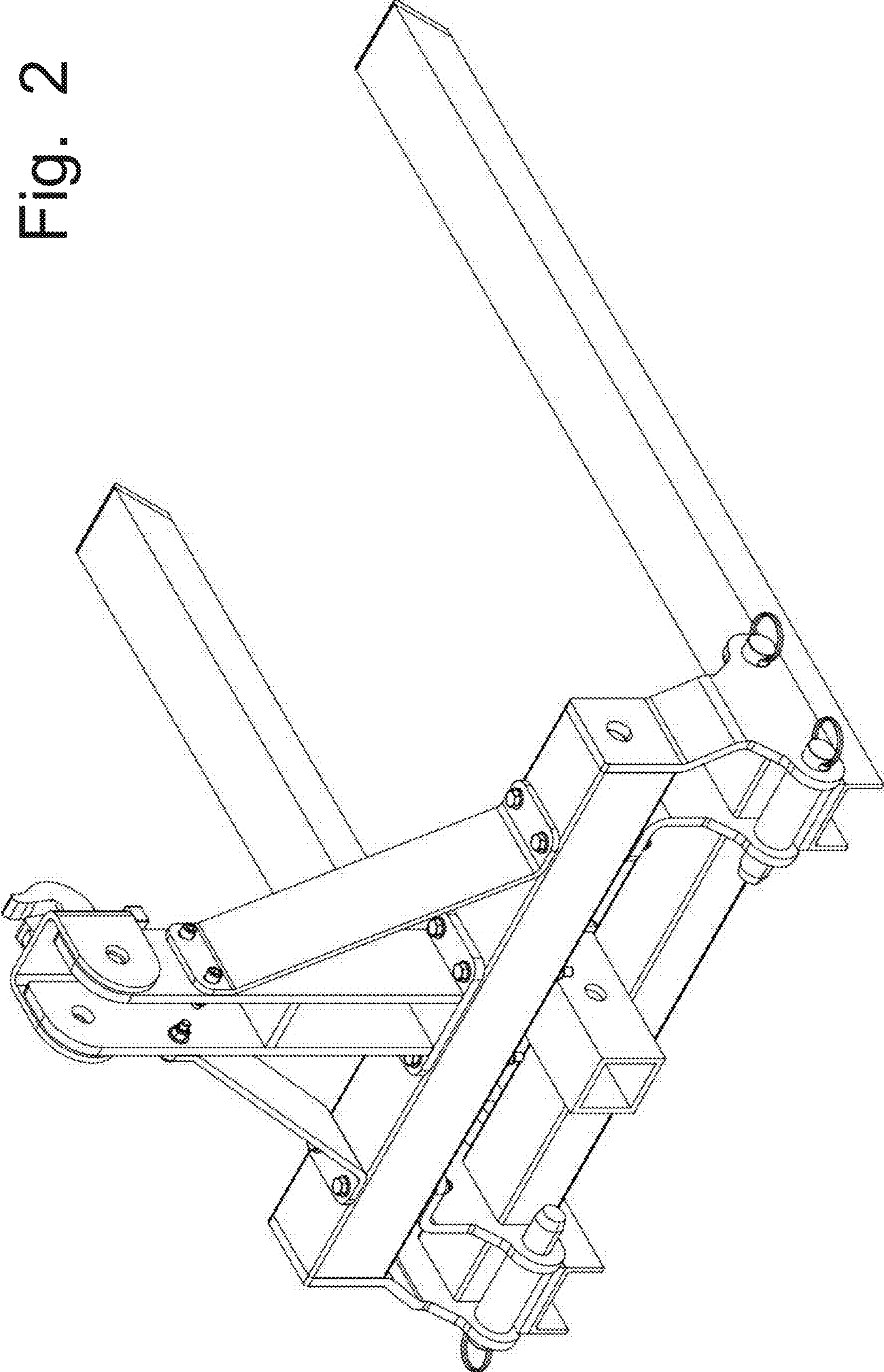




Fig. 3

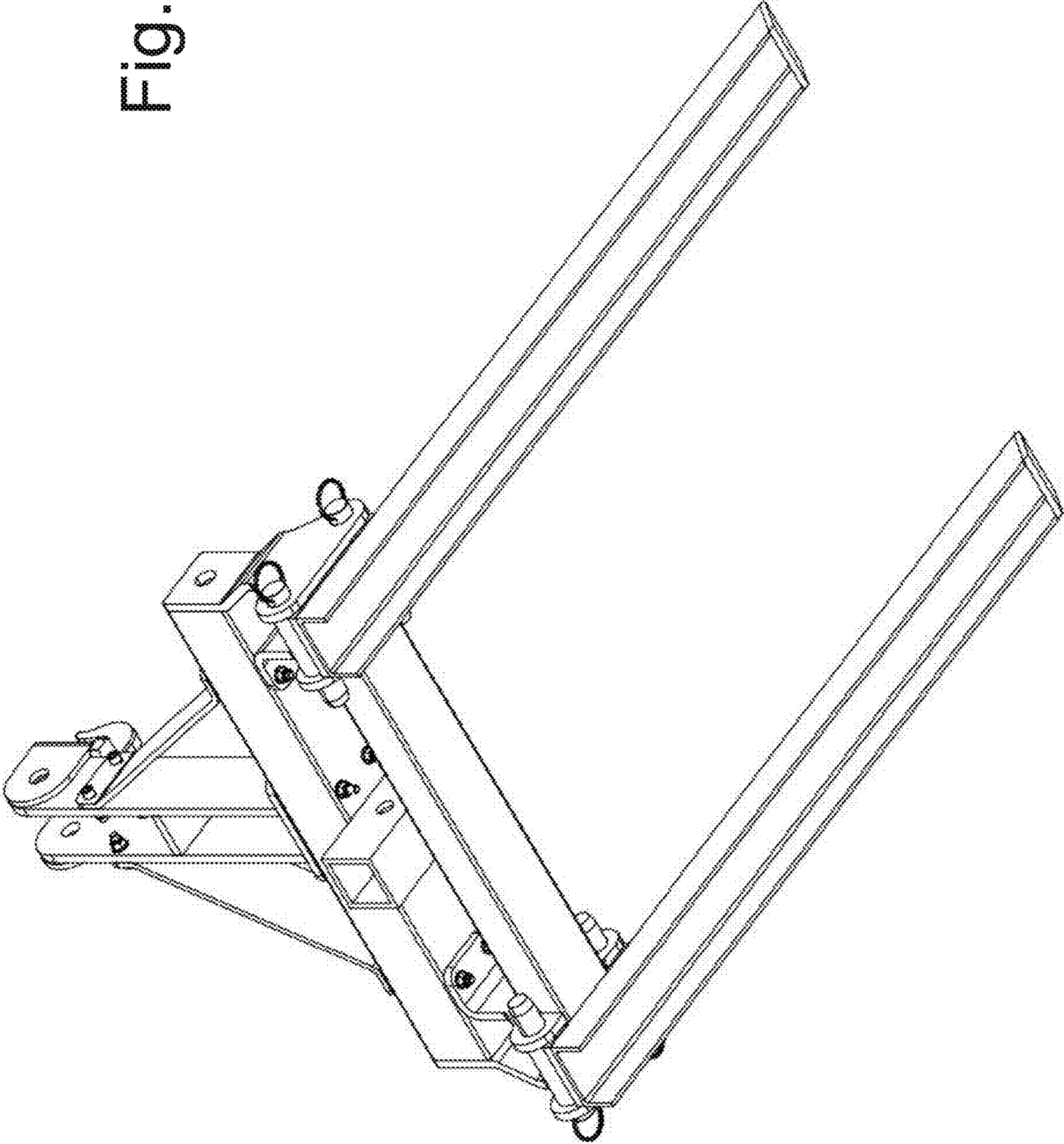


Fig. 4

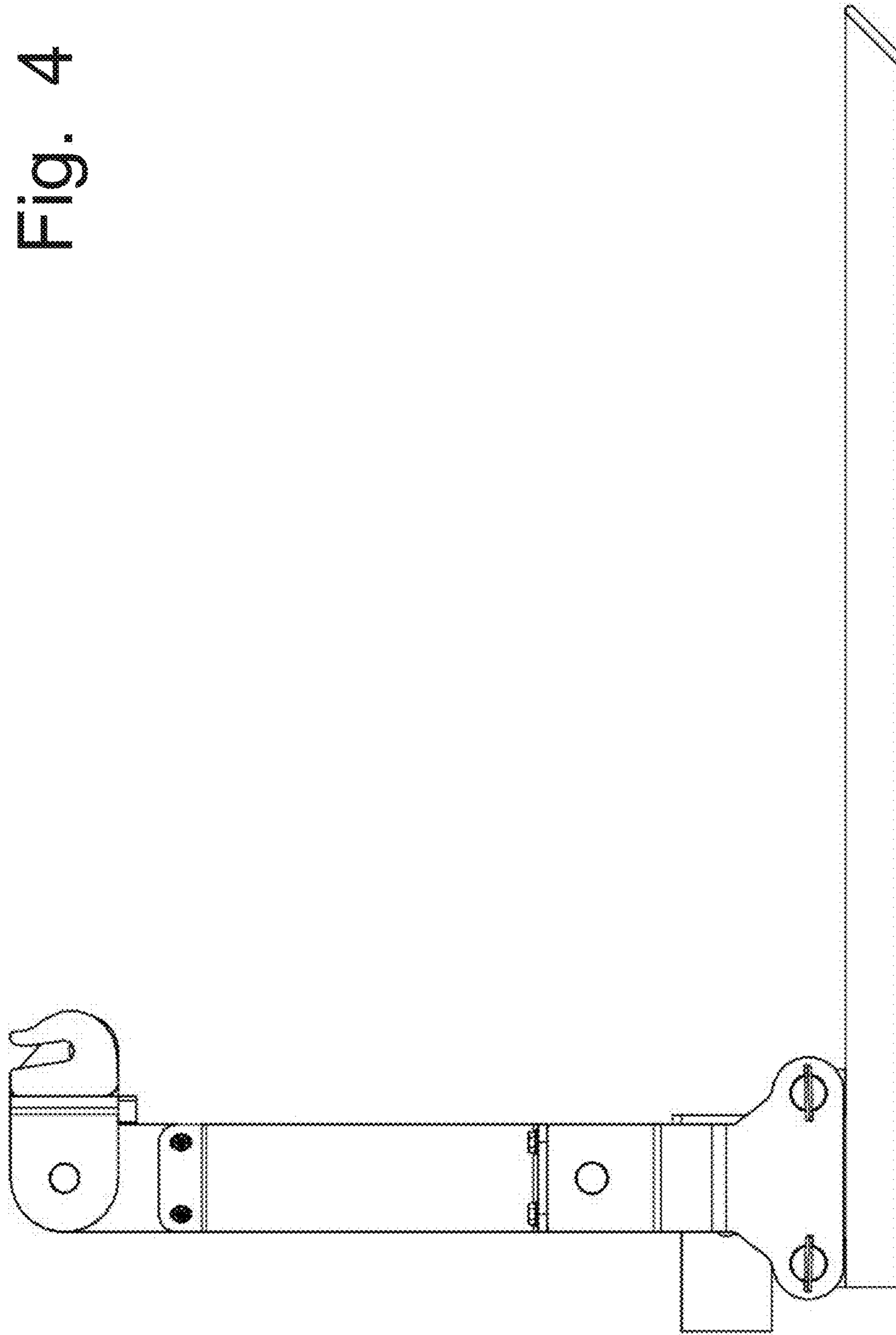
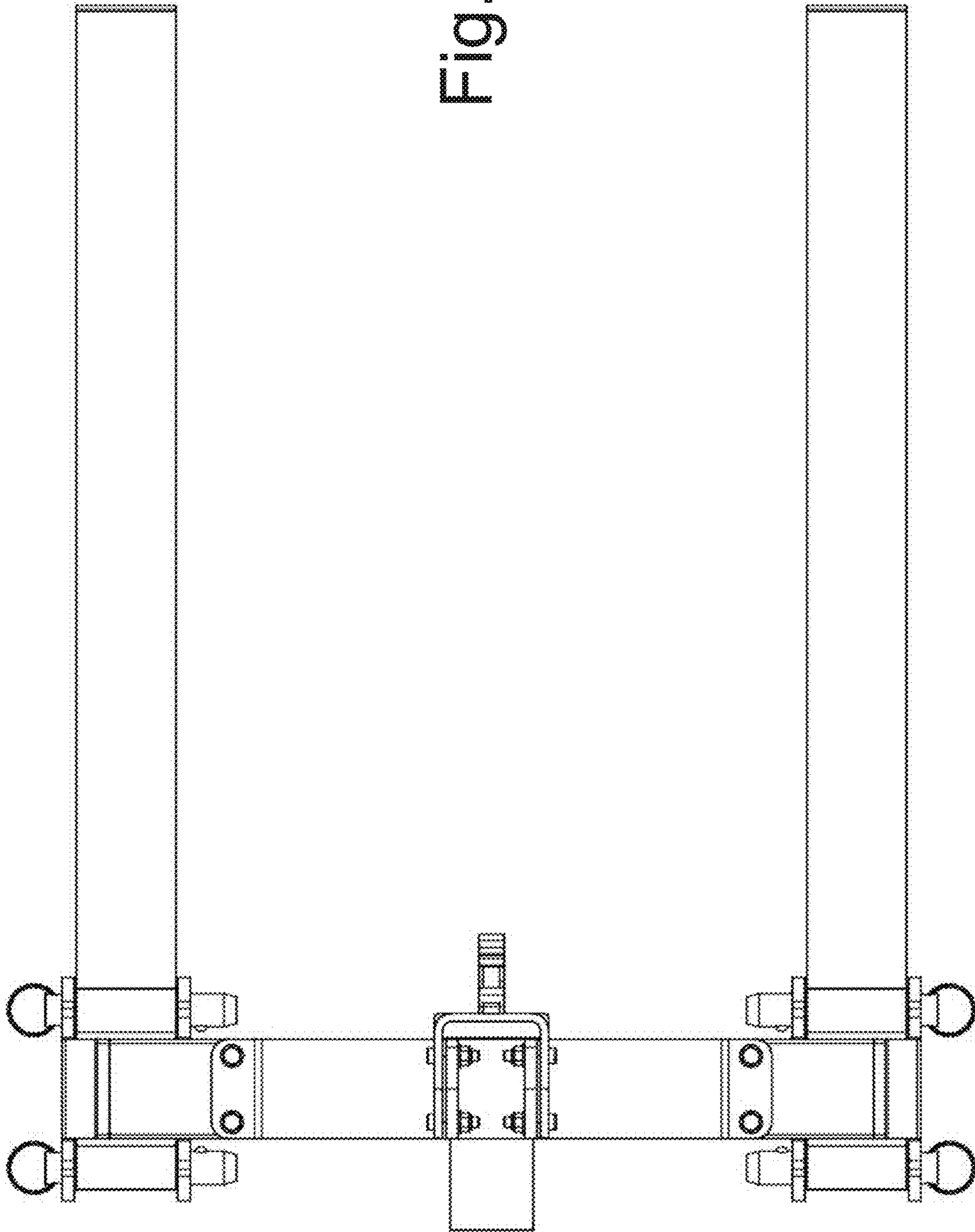


Fig. 5



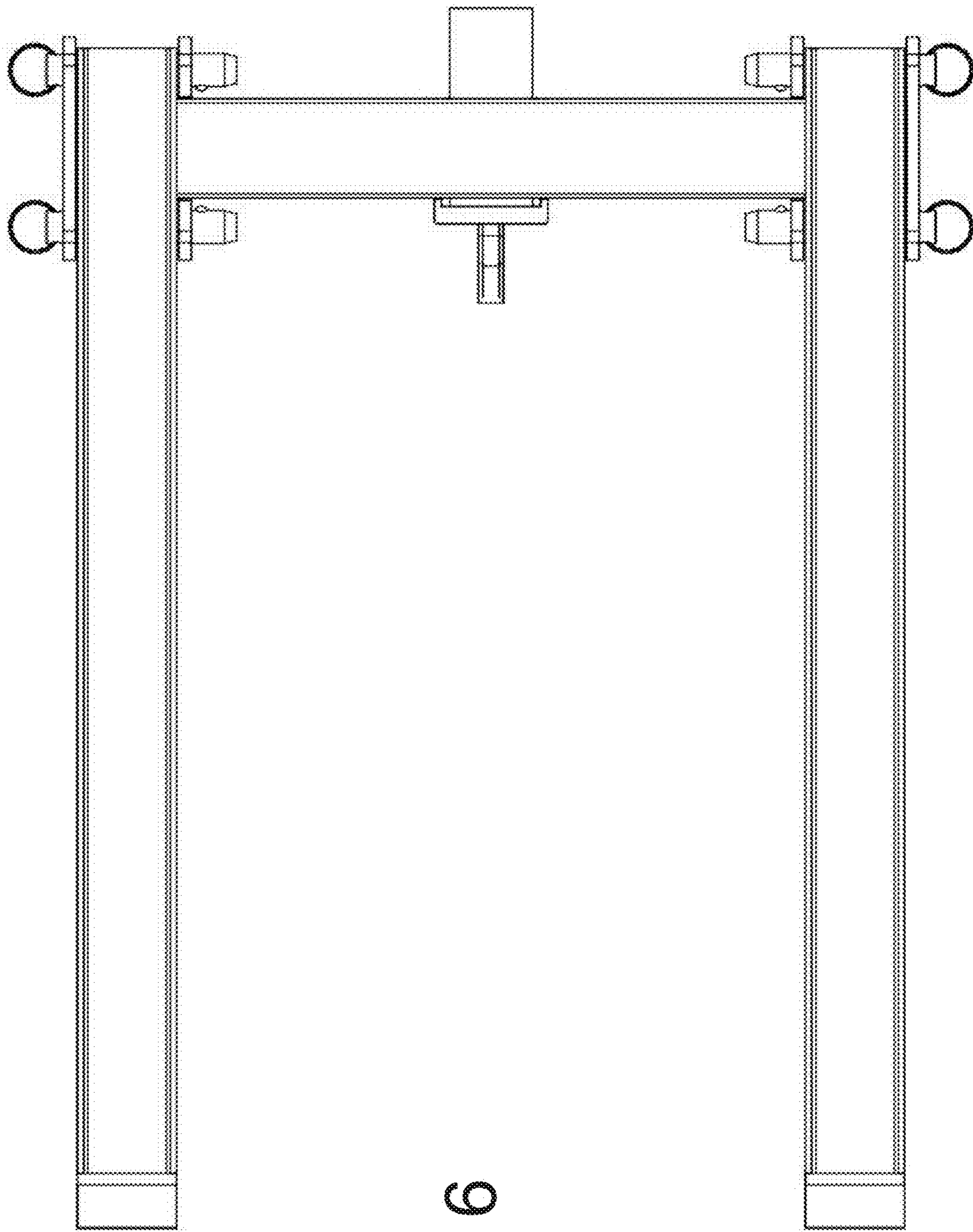


Fig. 6



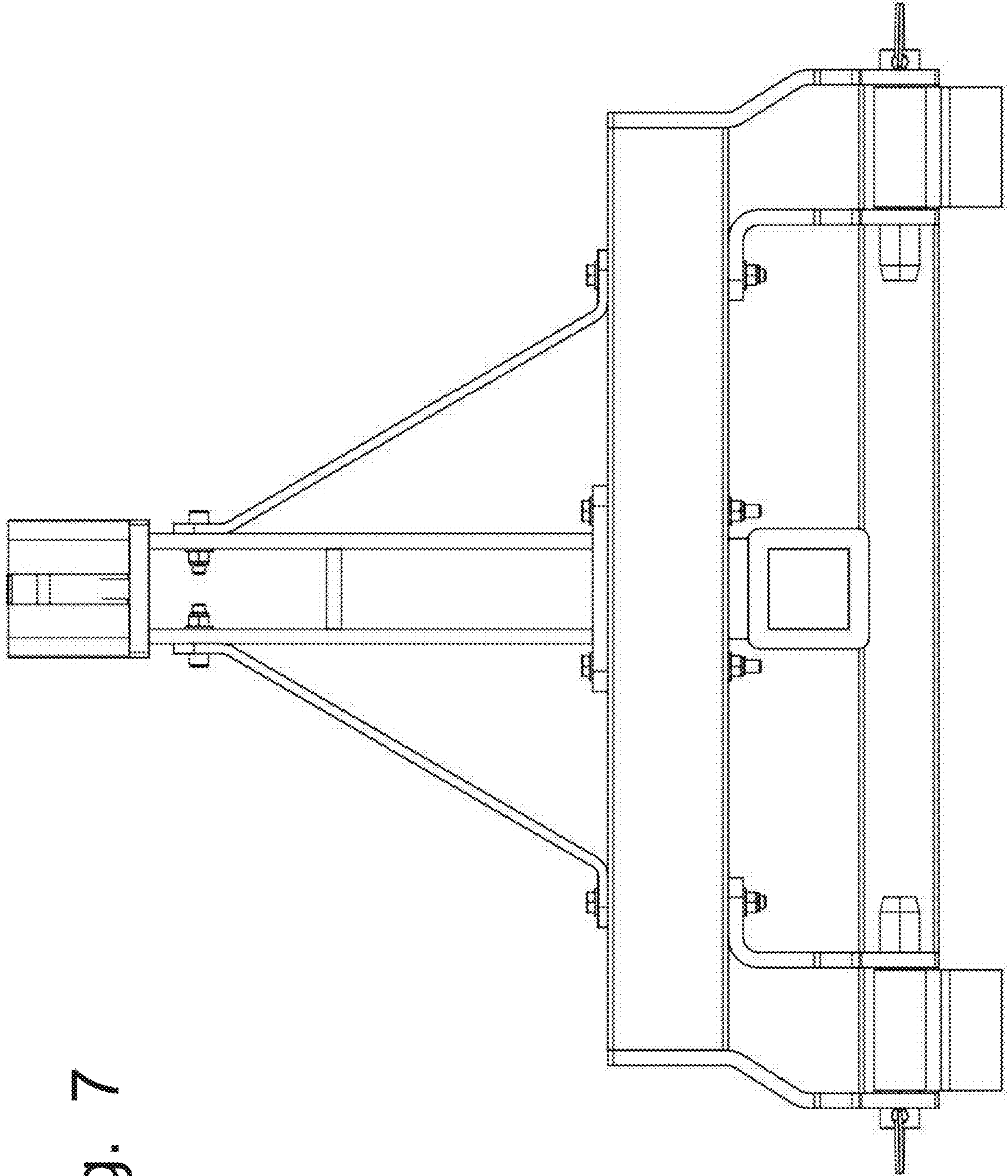


Fig. 7