



US00D899722S

(12) **United States Design Patent**
Yang et al.

(10) **Patent No.:** **US D899,722 S**
(45) **Date of Patent:** **** Oct. 20, 2020**

- (54) **DISH RACK**
- (71) Applicant: **EP Family Corp.**, Walnut, CA (US)
- (72) Inventors: **Sally Liao Yang**, Walnut, CA (US);
Peiling Chang Chien, Walnut, CA (US)
- (**) Term: **15 Years**
- (21) Appl. No.: **29/707,670**
- (22) Filed: **Sep. 30, 2019**
- (51) **LOC (12) Cl.** **07-05**
- (52) **U.S. Cl.**
USPC **D32/55**
- (58) **Field of Classification Search**
USPC D32/55, 276, 3; D6/510, 525; D30/133;
211/41.5, 41.4, 41.3, 41.8; 361/679.4;
312/311, 333, 334.4; D7/354, 629
CPC A47J 47/20; A47J 2201/00; A47J 47/00;
B65D 35/02; B65D 35/22; B65D 35/56
See application file for complete search history.

- D871,703 S * 12/2019 Huang D32/55
- D871,704 S * 12/2019 Tuang D32/55
- D874,775 S * 2/2020 Xie D32/55
- D887,098 S * 6/2020 Li D32/55

* cited by examiner

Primary Examiner — Austin Murphy
(74) *Attorney, Agent, or Firm* — Tommy S F Wang;
Wang IP Law Group, P.C.

(57) **CLAIM**

The ornamental design for a dish rack, as shown and described.

DESCRIPTION

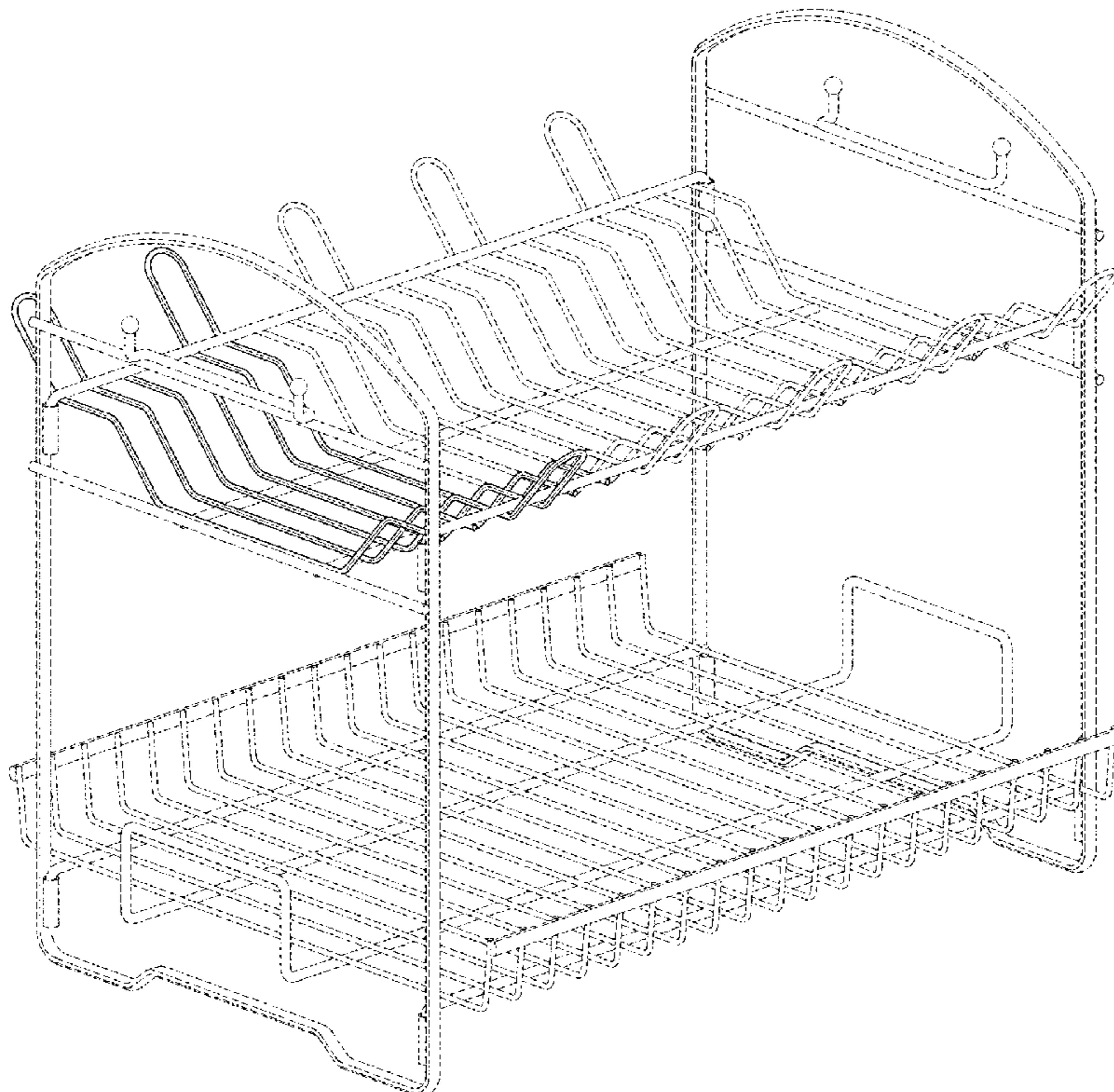
FIG. 1 is a perspective view of a dish rack showing our new design;
 FIG. 2 is a front view thereof;
 FIG. 3 is a rear view thereof;
 FIG. 4 is a left side view thereof;
 FIG. 5 is a right side view thereof;
 FIG. 6 is a top view thereof;
 FIG. 7 is a bottom view thereof; and,
 FIG. 8 is another perspective view showing a tray and a sorter coupled thereto.
 The broken line portions of the dish rack in FIGS. 1-8 represent unclaimed portions of the claimed design and form no part thereof. The broken lines of the tray and the sorter in FIG. 8 illustrate unclaimed environment and forms no part of the claimed design.

(56) **References Cited**

U.S. PATENT DOCUMENTS

- D581,619 S * 11/2008 Yang D32/55
- D599,068 S * 8/2009 Yang D32/55
- D647,678 S * 10/2011 Yang D32/55
- D693,081 S * 11/2013 Yang D32/55
- D699,413 S * 2/2014 Huang D32/55
- D783,216 S * 4/2017 Huang D32/55
- D820,543 S * 6/2018 Huang D32/55
- D825,874 S * 8/2018 Johnson D32/55
- D846,220 S * 4/2019 Kraemer D32/55

1 Claim, 8 Drawing Sheets



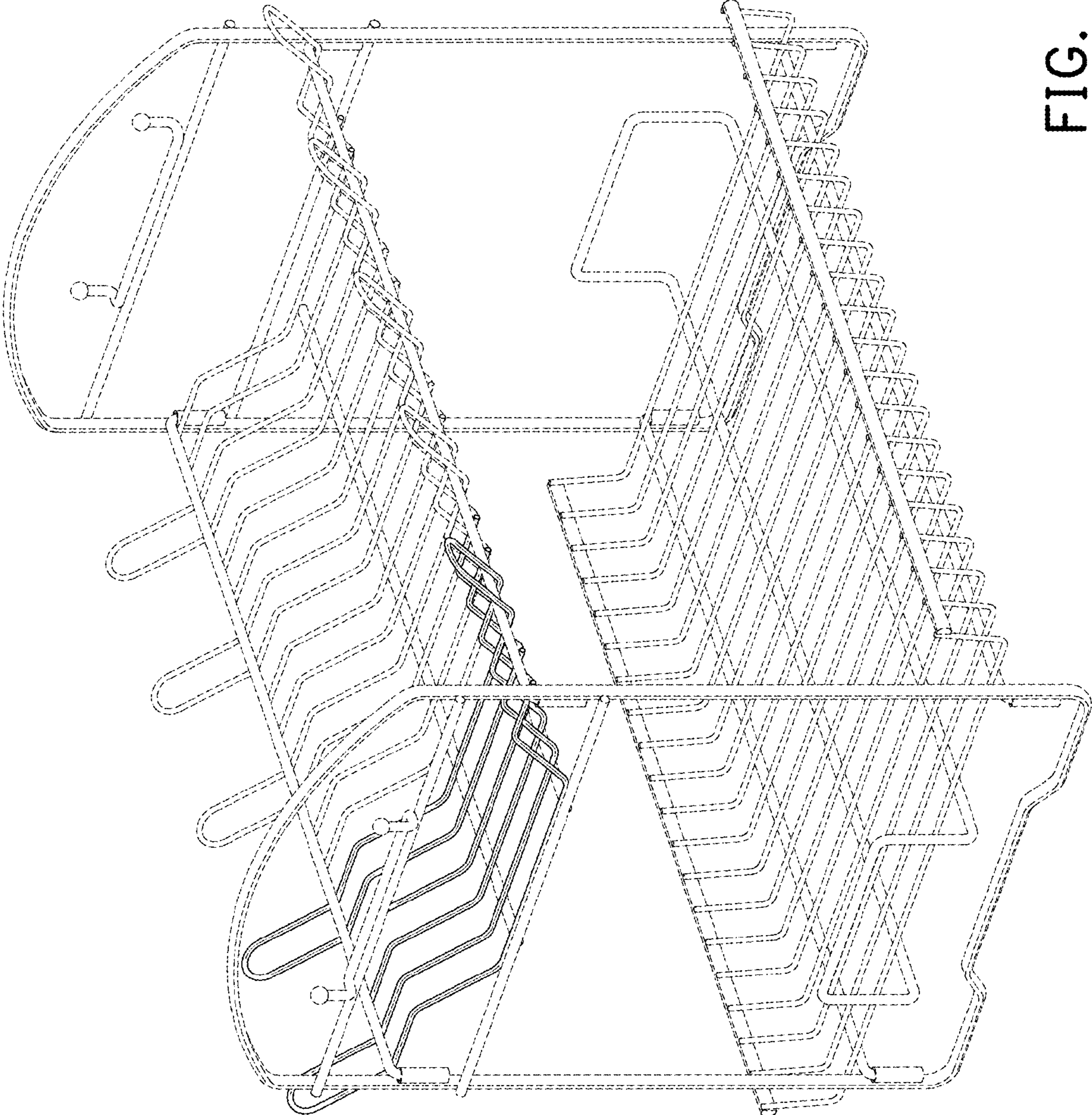


FIG. 1

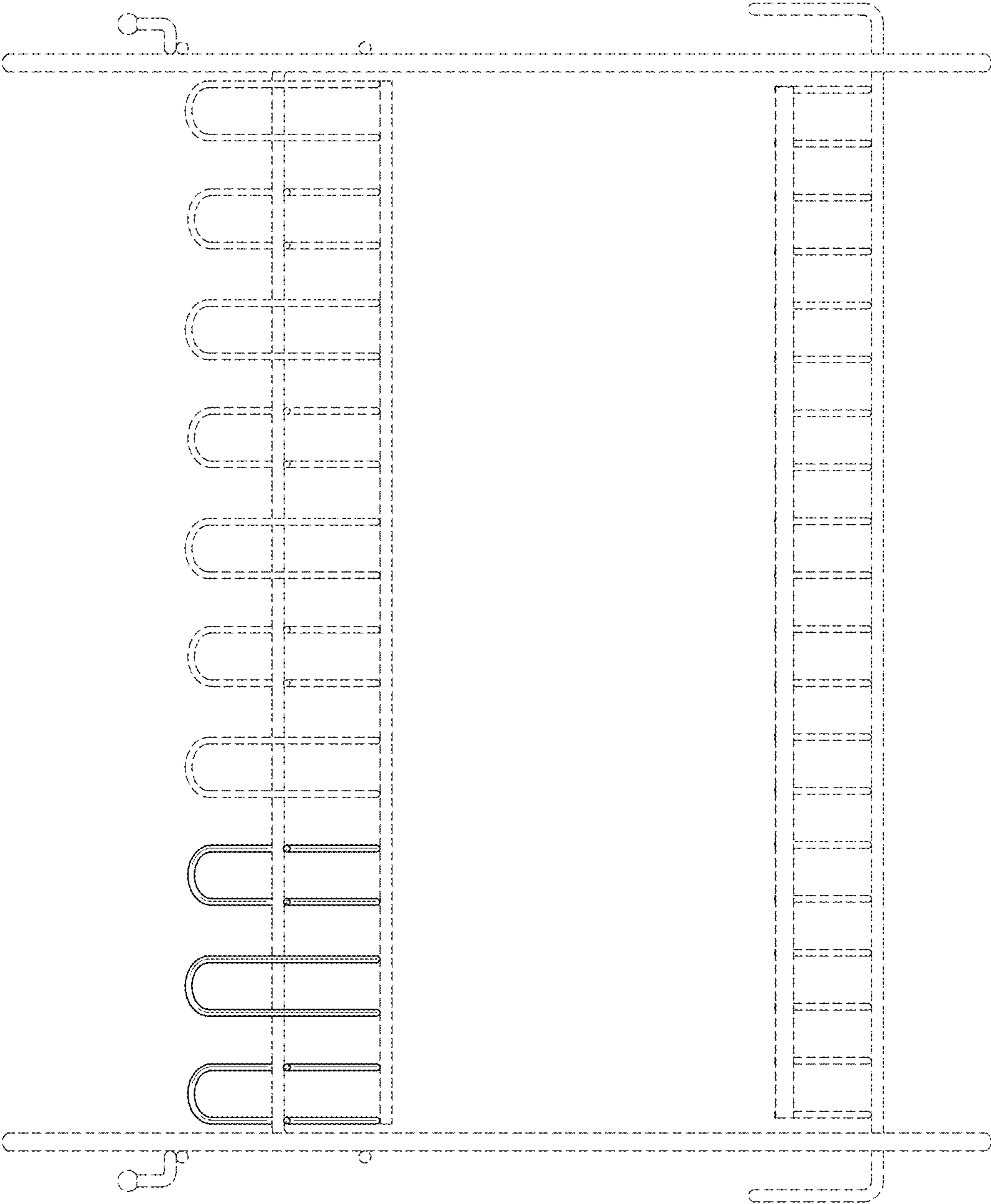


FIG. 2

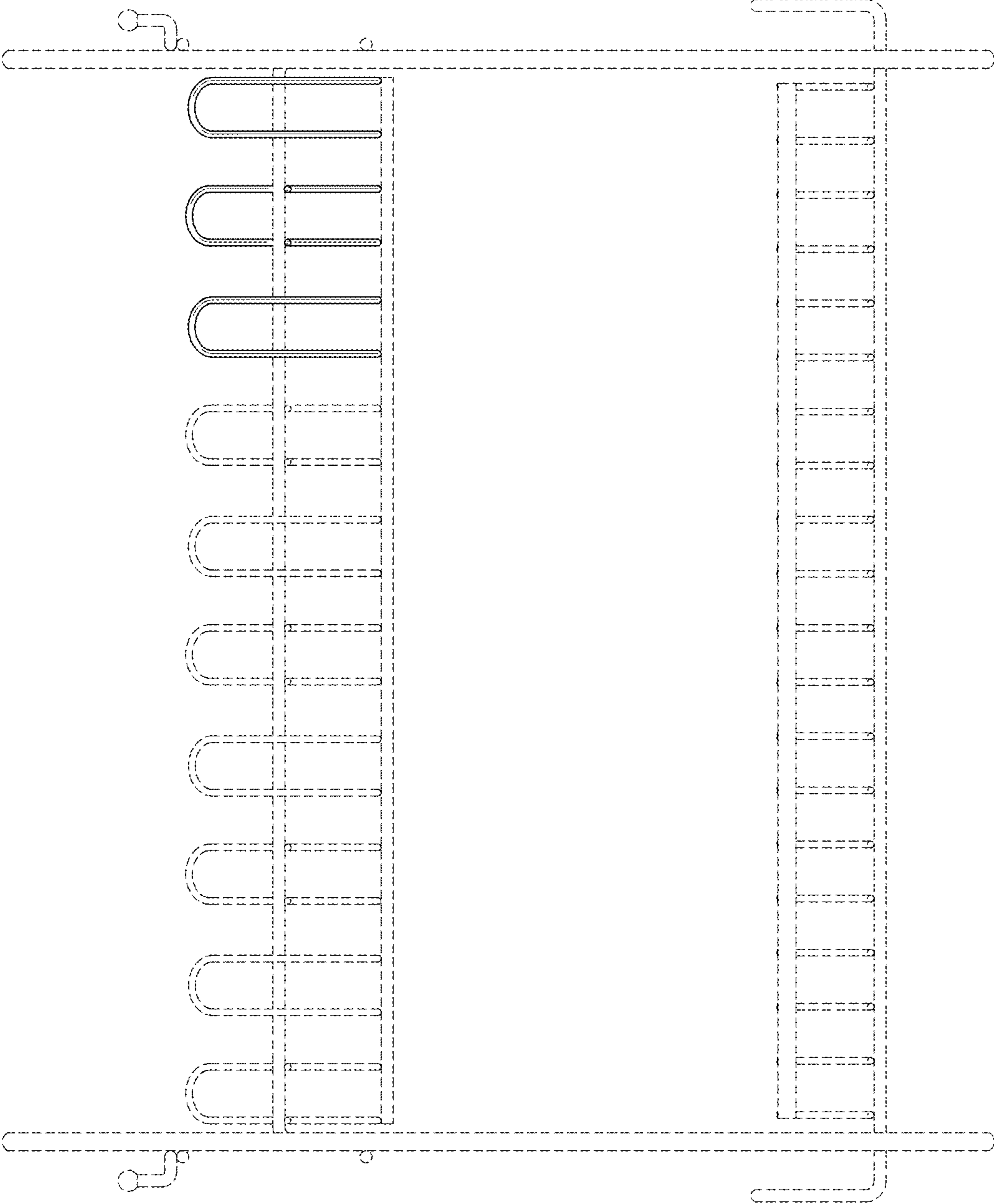


FIG. 3

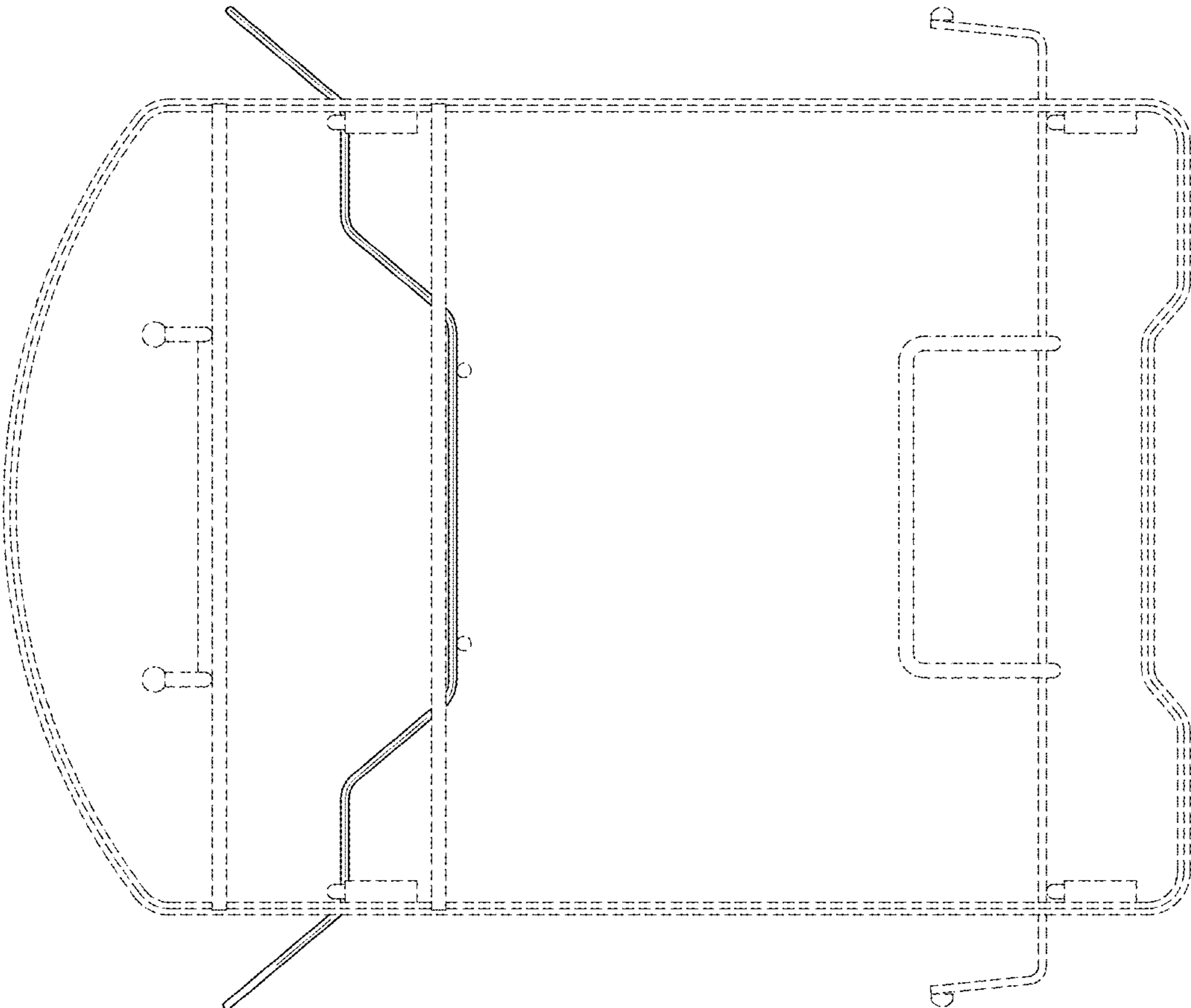


FIG. 4

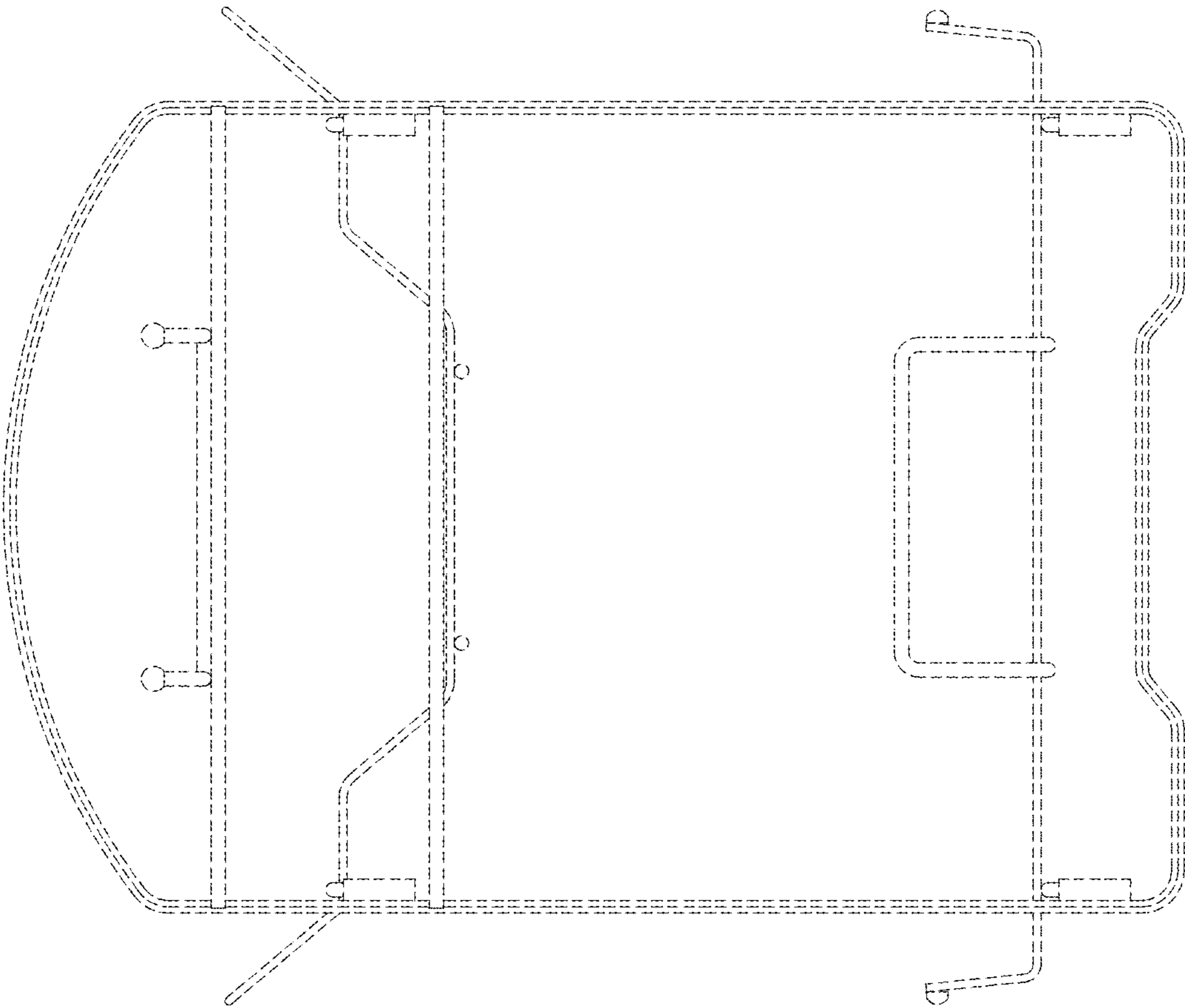


FIG. 5

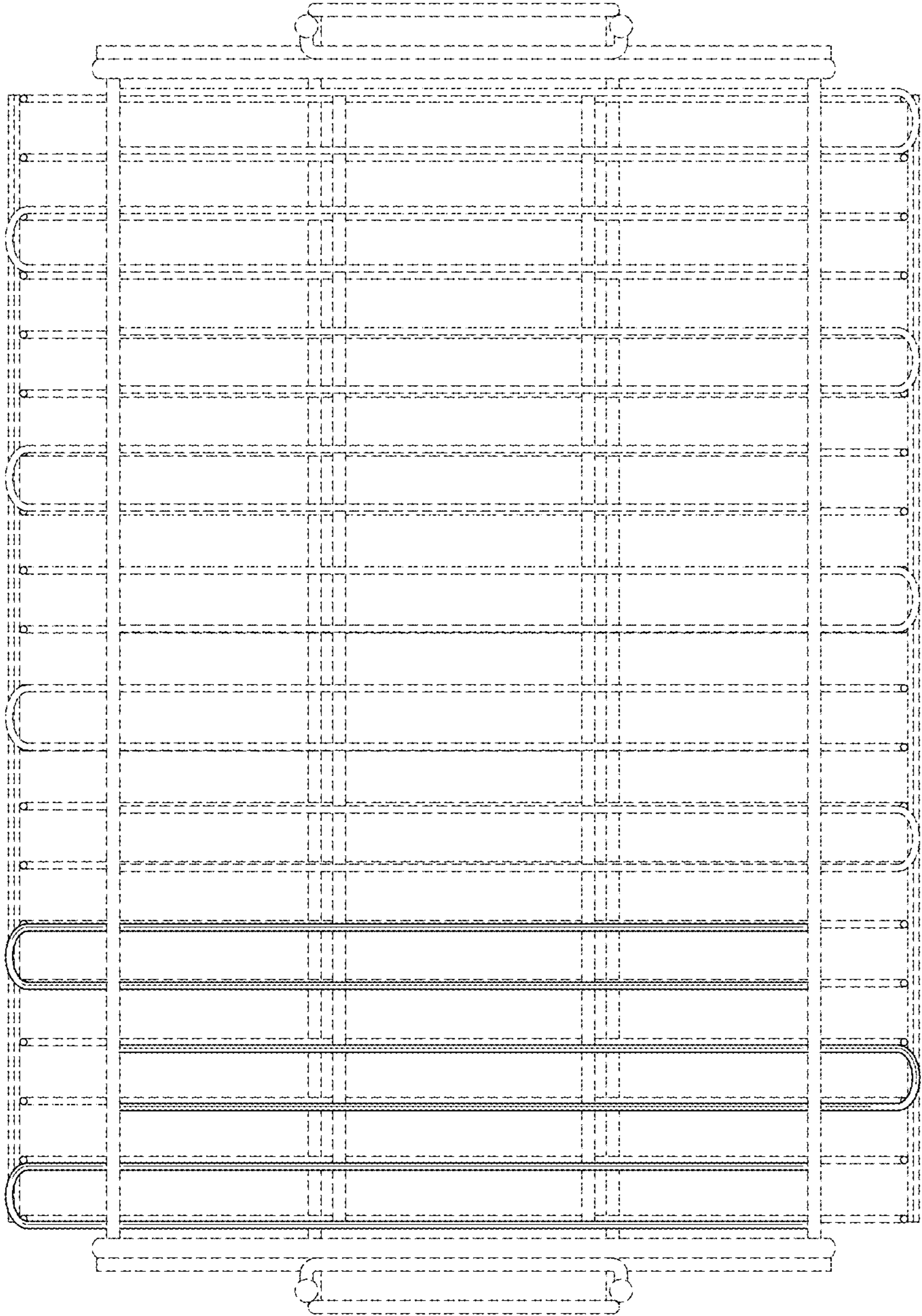


FIG. 6

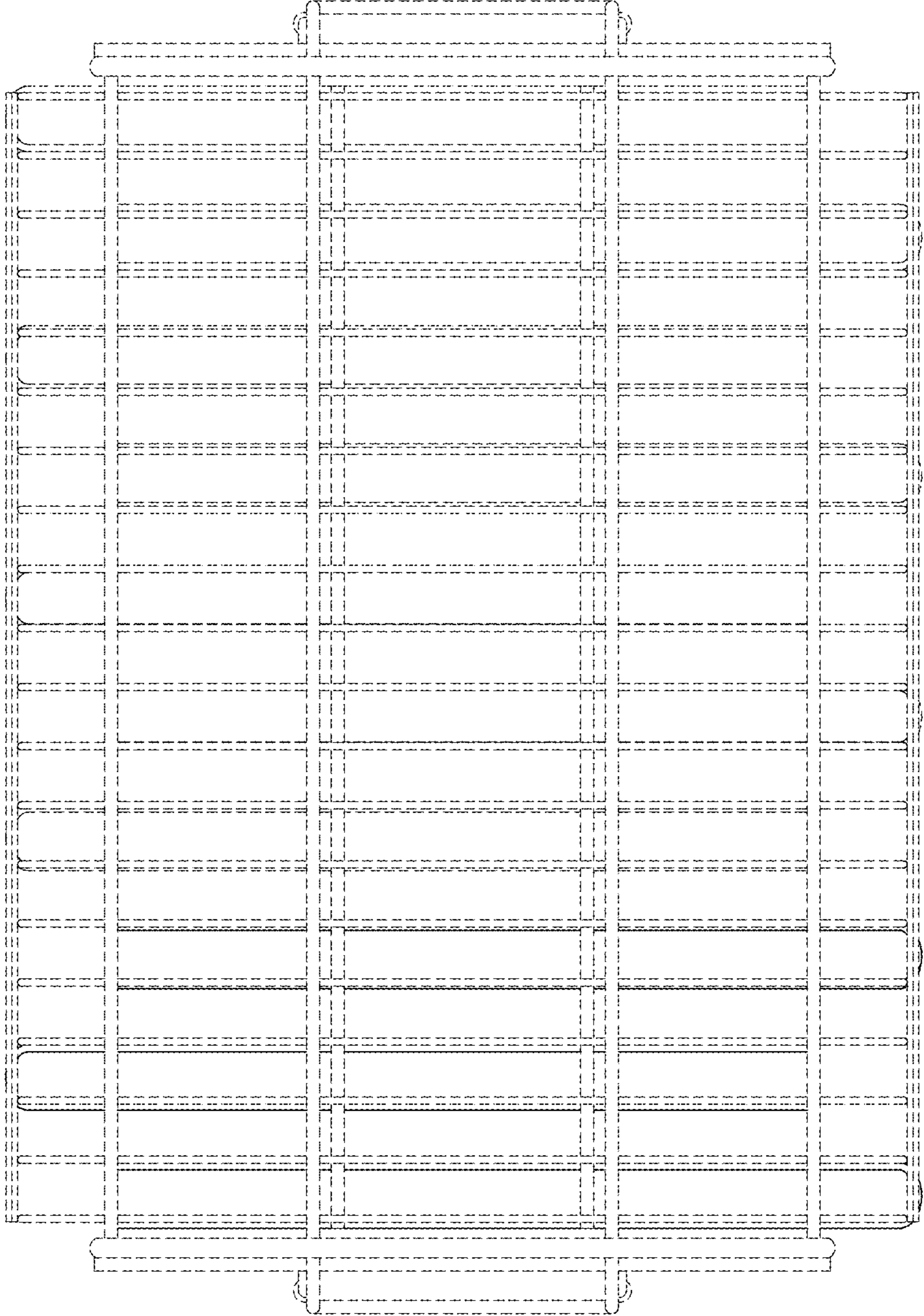


FIG. 7

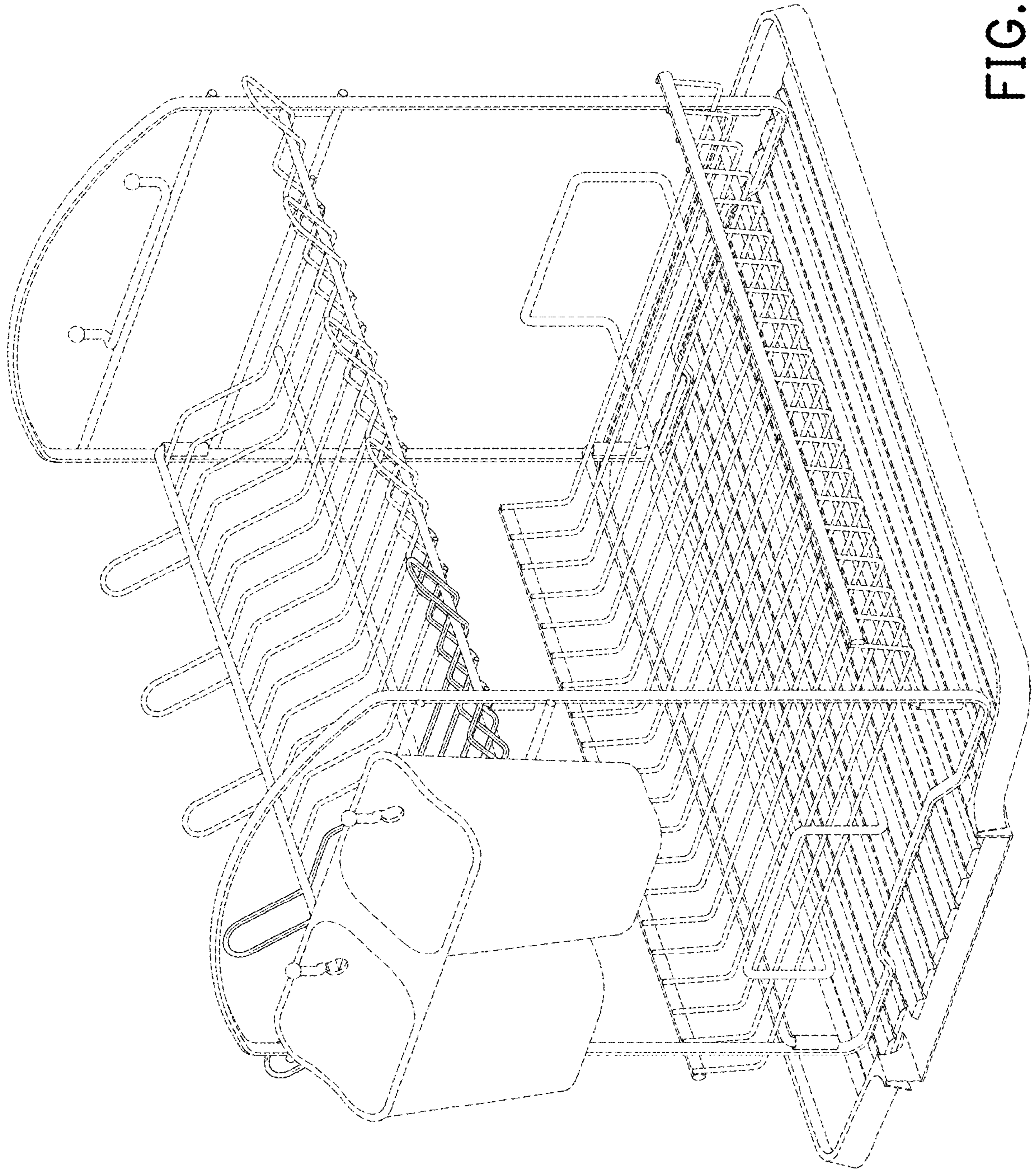


FIG. 8