



US00D899721S

(12) **United States Design Patent** (10) **Patent No.:** **US D899,721 S**
Su (45) **Date of Patent:** **** Oct. 20, 2020**

(54) **SCRAPER**
(71) Applicant: **Hong Ann Tool Industries Co., Ltd.,**
Taichung (TW)
(72) Inventor: **Cheng-Wei Su, Taichung (TW)**
(73) Assignee: **Hong Ann Tool Industries Co., Ltd.,**
Taichung (TW)

D362,604 S * 9/1995 White D8/19
D389,624 S * 1/1998 Drimmie D3/210
D412,653 S * 8/1999 Dorer D8/86
D435,408 S * 12/2000 Panfili D8/105
6,382,974 B1 * 5/2002 Garfinkel A61C 3/00
433/141
D459,476 S * 6/2002 Mangione D24/152
D459,809 S * 7/2002 Mangione D24/152
(Continued)

(**) Term: **15 Years**

(21) Appl. No.: **29/672,505**

(22) Filed: **Dec. 6, 2018**

(51) **LOC (12) Cl.** **07-05**

(52) **U.S. Cl.**
USPC **D32/46**

(58) **Field of Classification Search**
USPC D7/678; D32/40, 43, 45-46, 50-52, 14;
D8/47, 82-86, 90, 14, 16, 17, 19, 20;
D21/449; D14/230; D9/429, 434;
15/105
CPC A47L 13/255; A47L 13/20; A63H 27/00;
B08B 9/045
See application file for complete search history.

(56) **References Cited**

U.S. PATENT DOCUMENTS

743,590 A * 11/1903 Tarbox B25C 11/00
254/25
D42,733 S * 7/1912 Eick D32/40
D42,735 S * 7/1912 Eick D32/40
3,080,593 A * 3/1963 Wilson D06F 41/00
15/105
D261,932 S * 11/1981 Bussiere 433/119
4,731,019 A * 3/1988 Martin A61C 1/07
433/119
5,095,573 A * 3/1992 Henke E04F 21/00
15/105
5,437,074 A * 8/1995 White A47L 13/02
15/105

FOREIGN PATENT DOCUMENTS

CN 304911665 * 11/2018
JP D1257702 * 12/2005

OTHER PUBLICATIONS

127 TinEye search results, Stanley Knife shown on Plumbersstock.com on Oct. 30, 2016, Tineye site visited Dec. 23, 2019.*
(Continued)

Primary Examiner — John R Yeh
(74) *Attorney, Agent, or Firm* — Alan D. Kamrath; Karin L. Williams; Mayer & Williams PC

(57) **CLAIM**

The ornamental design for a scraper, as shown and described.

DESCRIPTION

FIG. 1 is a perspective view of a scraper showing my new design;
FIG. 2 is a front view thereof;
FIG. 3 is a rear view thereof;
FIG. 4 is a left view thereof
FIG. 5 is a right view thereof
FIG. 6 is a top view thereof; and,
FIG. 7 is a bottom view thereof.
The broken lines depict portions of the scraper that form no part of the claimed design.

1 Claim, 7 Drawing Sheets



(56)

References Cited

U.S. PATENT DOCUMENTS

6,588,479 B1 * 7/2003 Kliskey B60C 25/02
157/1.1
D516,394 S * 3/2006 Chen D8/16
D558,346 S * 12/2007 Darnold D24/152
D562,517 S * 2/2008 Henke D32/46
D573,309 S * 7/2008 Wittke-Kothe D24/149
D627,886 S * 11/2010 Williamson D24/152
D638,184 S * 5/2011 Lesche D32/46
D687,202 S * 7/2013 Motsenbocker D32/46
D691,773 S * 10/2013 Chen D32/46
D700,331 S * 2/2014 Lim D24/147
D733,300 S * 6/2015 Bennett D24/147
D798,518 S * 9/2017 Holschbach D32/46
D811,034 S * 2/2018 Kent D32/54
D848,806 S * 5/2019 Lauterbach D8/47
10,493,613 B2 * 12/2019 Levand B26B 11/001
D885,152 S * 5/2020 Chavez D8/19

OTHER PUBLICATIONS

Stanley—Fixed Blade Linoleum Knife, MSC website 2019, <https://www.mscdirect.com/product/details/84969716>, site visited Dec. 23, 2019.*

Hong Ann Tool Industries website no date, <http://hongann.com.tw/> site visited Jun. 16, 2020.*

* cited by examiner

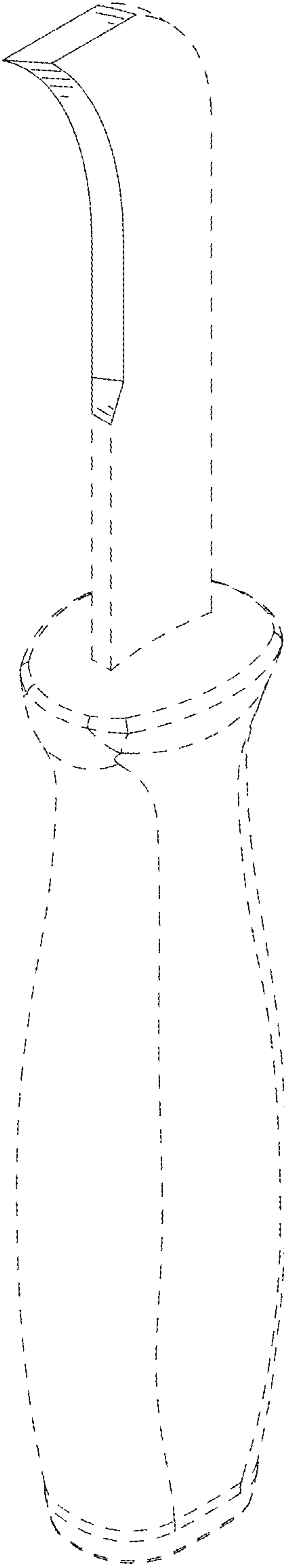


FIG. 1

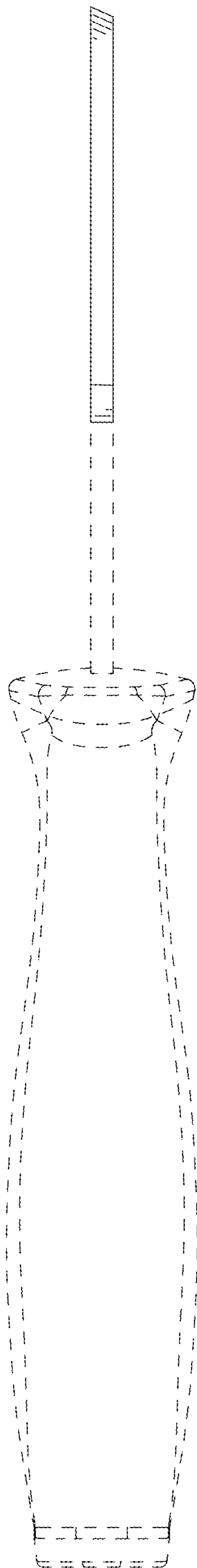


FIG. 2

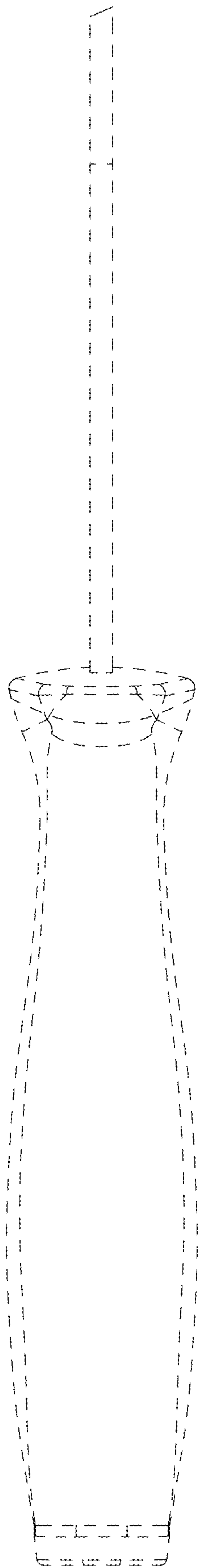


FIG. 3

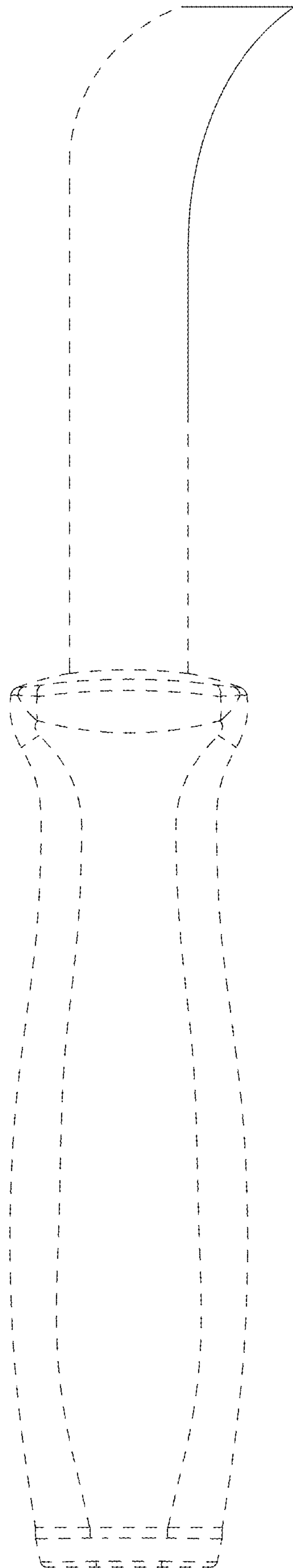


FIG. 4

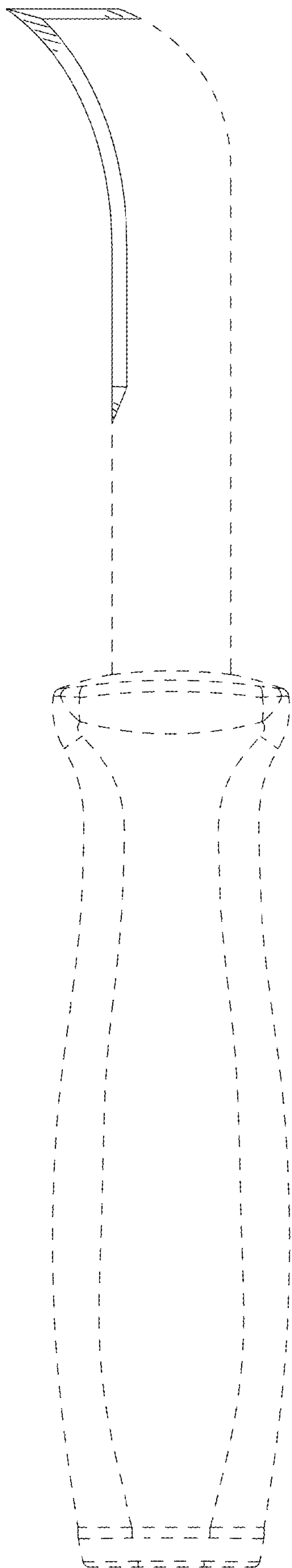


FIG. 5

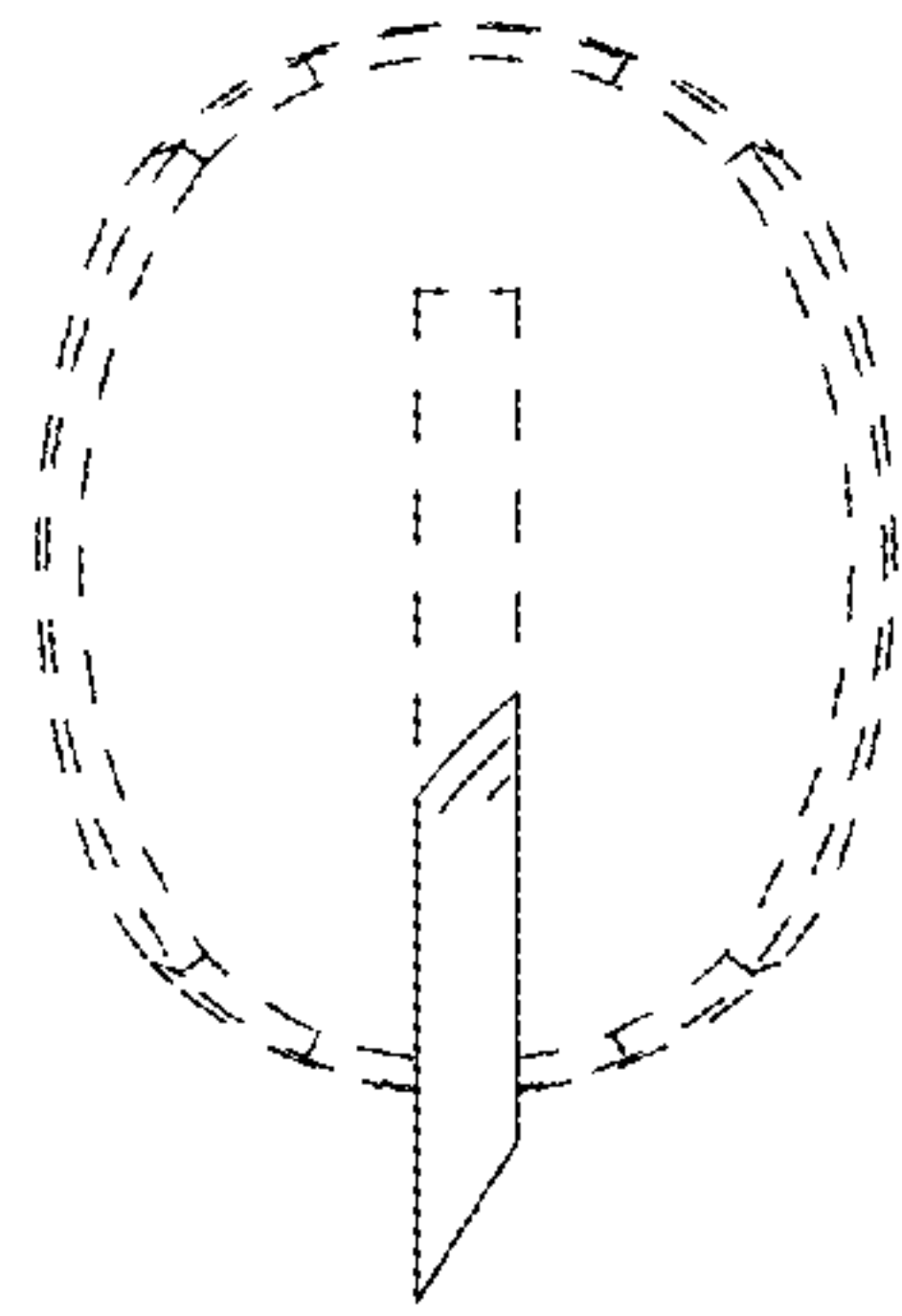


FIG. 6

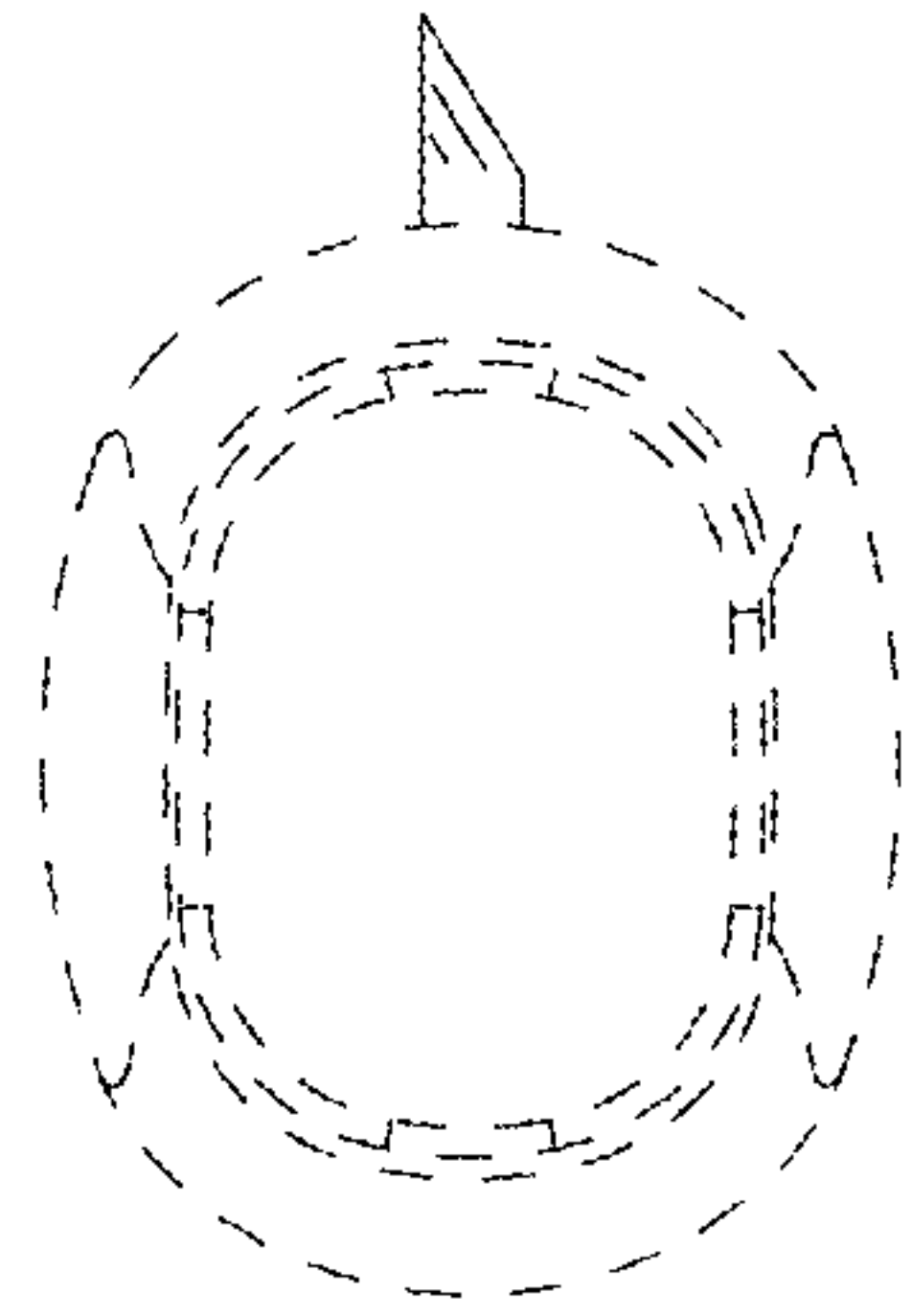


FIG. 7