



US00D899719S

(12) **United States Design Patent**  
**Liu**

(10) **Patent No.:** **US D899,719 S**  
(45) **Date of Patent:** **\*\* Oct. 20, 2020**

(54) **PORTABLE VACUUM SWEEPER**  
(71) Applicant: **Shenzhen Bo'erde Environmental Technology Co., Ltd., Shenzhen (CN)**  
(72) Inventor: **Boge Liu, Guangdong (CN)**  
(\*\*) Term: **15 Years**

7,201,785 B2 \* 4/2007 Lin ..... B01D 46/04  
55/356  
7,260,868 B2 \* 8/2007 Cheng ..... A47L 5/38  
15/327.6  
D609,419 S \* 2/2010 Santiago ..... D32/31  
7,958,594 B2 \* 6/2011 Cunningham ..... A47L 5/38  
15/301  
8,304,186 B2 \* 11/2012 Stibelli ..... B01L 3/502  
435/283.1

(21) Appl. No.: **29/710,702**

(Continued)

(22) Filed: **Oct. 25, 2019**

**OTHER PUBLICATIONS**

(51) **LOC (12) Cl.** ..... **15-05**

Capsulated shape plastic box (on-line), no date available. Retrieved from Internet Jan. 16, 2020, URL: [https://www.alibaba.com/product-detail/-Taiwan-Buder-Colorful-custom-capsuled\\_60726391061.html](https://www.alibaba.com/product-detail/-Taiwan-Buder-Colorful-custom-capsuled_60726391061.html) (6 pages).\*

(52) **U.S. Cl.**

USPC ..... **D32/21; D32/23**

(58) **Field of Classification Search**

USPC ..... D32/17, 18, 19, 21, 22, 23, 25, 29, 31

CPC ..... A47L 5/365; A47L 7/0023; A47L 7/0052;

A47L 11/22; A47L 5/38; A47L 7/0047

See application file for complete search history.

(Continued)

*Primary Examiner* — Kimberly Barnes

(74) *Attorney, Agent, or Firm* — ZANIP

(56) **References Cited**

(57) **CLAIM**

**U.S. PATENT DOCUMENTS**

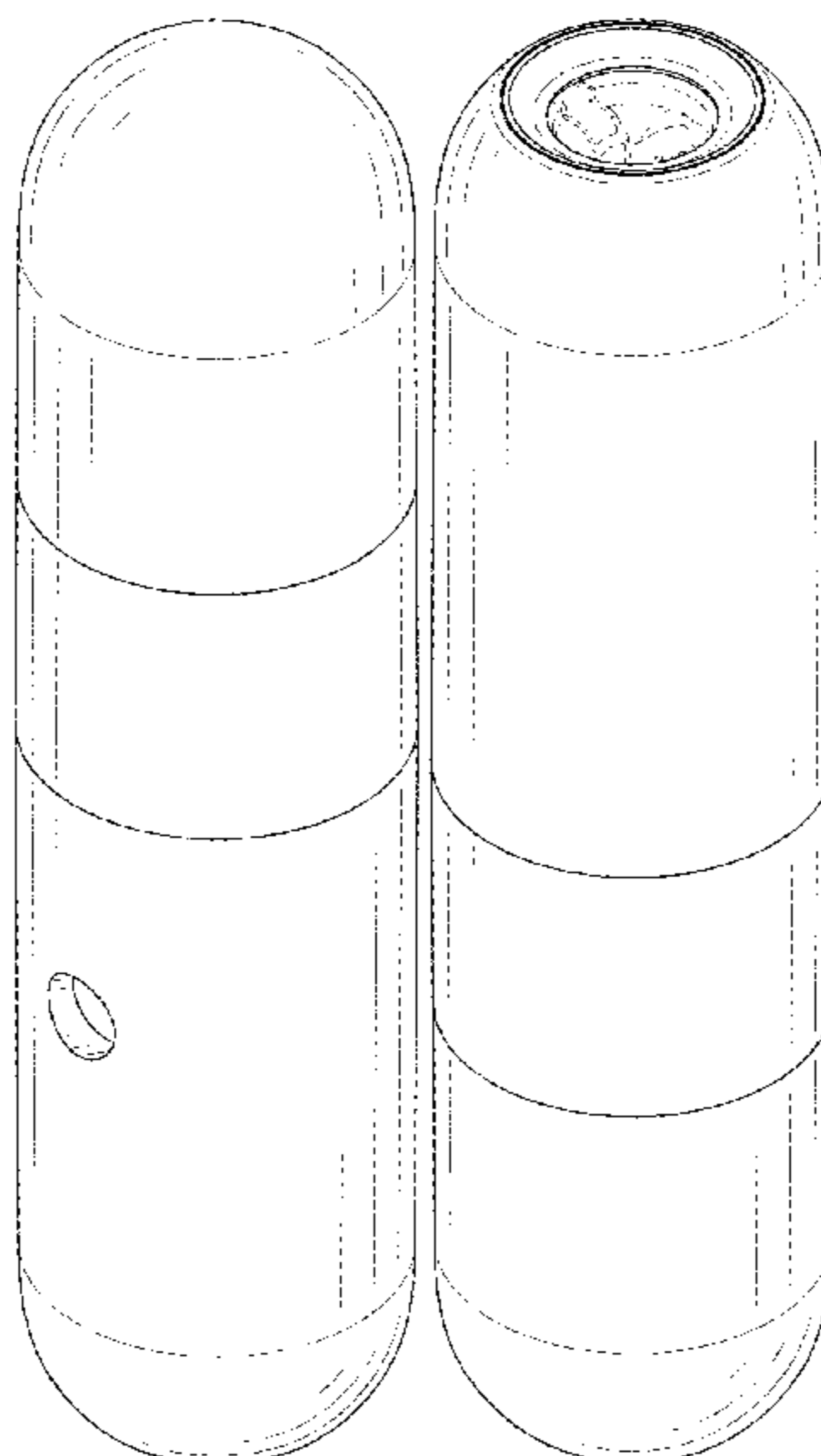
The ornamental design for a portable vacuum sweeper, as shown and described.

D132,815 S *	6/1942	Stevens	.....	D32/21
D169,140 S *	3/1953	Hedstrom et al.	.....	D32/22
3,022,806 A *	2/1962	Johnston	.....	B23Q 11/0046
				144/252.1
3,146,081 A *	8/1964	Emdy	.....	A47L 5/38
				55/315
4,252,244 A *	2/1981	Christian	.....	B21D 51/24
				220/586
D305,373 S *	1/1990	Yamamoto	.....	D32/22
D340,786 S *	10/1993	Jones	.....	D32/1
5,310,141 A *	5/1994	Homer	.....	B64G 1/425
				136/222
D358,234 S *	5/1995	Lin	.....	D32/21
6,507,974 B1 *	1/2003	Cheng	.....	A47L 5/365
				15/347
D521,695 S *	5/2006	Jacobs	.....	D32/21
D527,502 S *	8/2006	Yoshimoto	.....	D32/18
D527,852 S *	9/2006	Tsai	.....	D32/21
D531,769 S *	11/2006	Lin	.....	D32/21
D541,049 S *	4/2007	Huang	.....	D28/63

**DESCRIPTION**

FIG. 1 is a front and top perspective view of a portable vacuum sweeper, showing my new design;  
FIG. 2 is a rear and bottom perspective view thereof;  
FIG. 3 is a front elevational view thereof;  
FIG. 4 is a rear elevational view thereof;  
FIG. 5 is a left side elevational view thereof;  
FIG. 6 is a right side elevational view thereof;  
FIG. 7 is a top plan view thereof; and,  
FIG. 8 is a bottom plan view thereof.  
The broken lines in the figures illustrate portions of the portable vacuum sweeper that form no part of the claimed design.

**1 Claim, 8 Drawing Sheets**



(56)

**References Cited**

U.S. PATENT DOCUMENTS

9,406,409 B2 \* 8/2016 Reyes, Jr. .... G21F 5/012  
D784,643 S 4/2017 Webster  
D868,402 S \* 11/2019 Luo ..... D32/18  
2018/0106653 A1 \* 4/2018 Finnerty ..... G01F 15/063  
2019/0183380 A1 \* 6/2019 Kalantar-Zadeh ..... A61B 5/002

OTHER PUBLICATIONS

Capsule Packaging (on-line), dated Feb. 3, 2012. Retrieved from Internet Jan. 16, 2020, URL: <https://beachpackagingdesign.com/boxvox/capsule-packaging> (7 pages) (Year: 2012).\*

\* cited by examiner

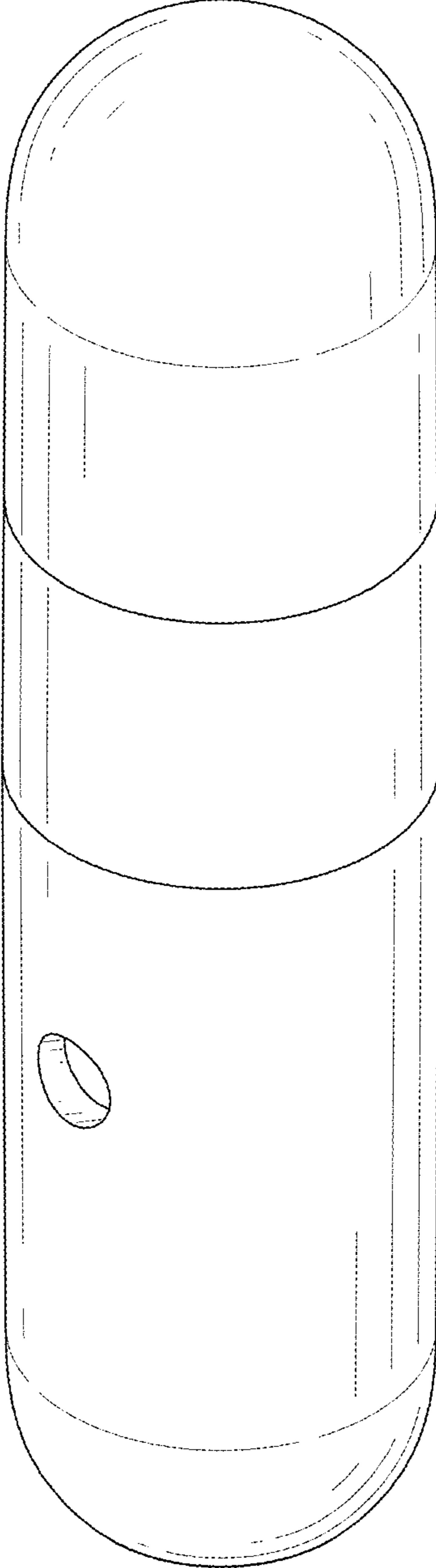


FIG. 1

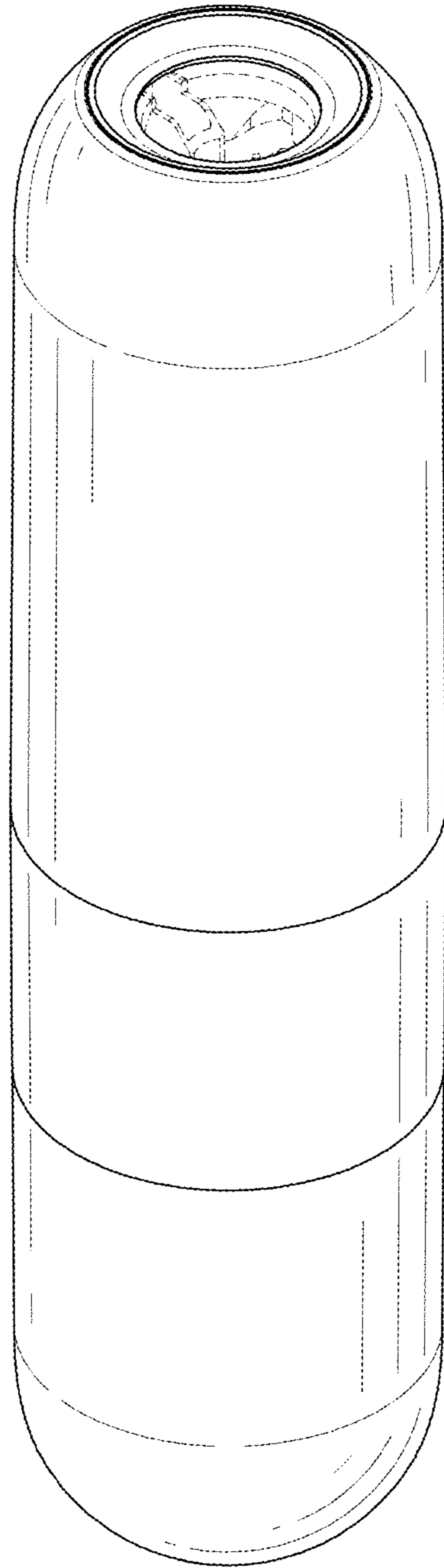


FIG. 2

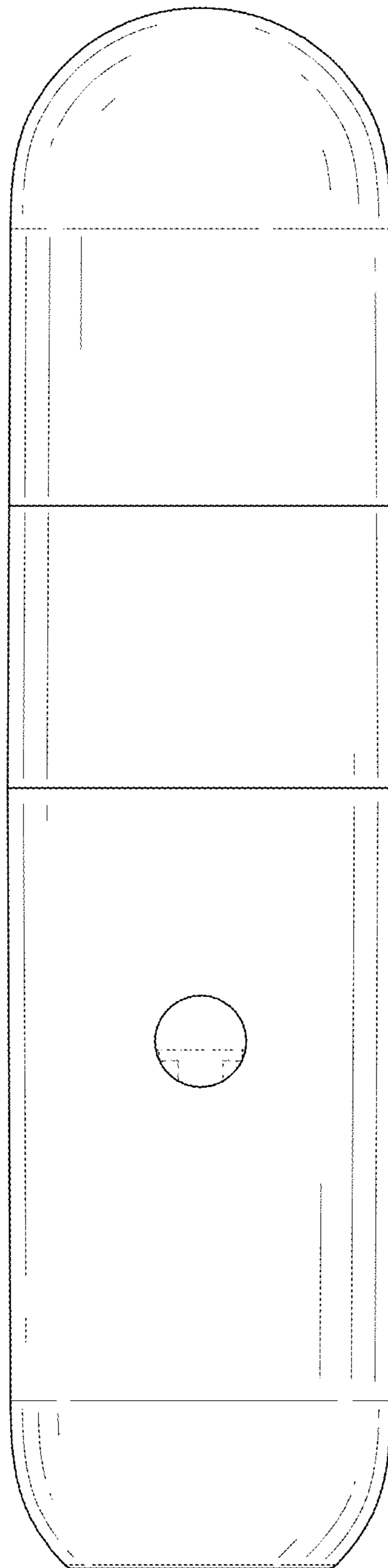


FIG. 3

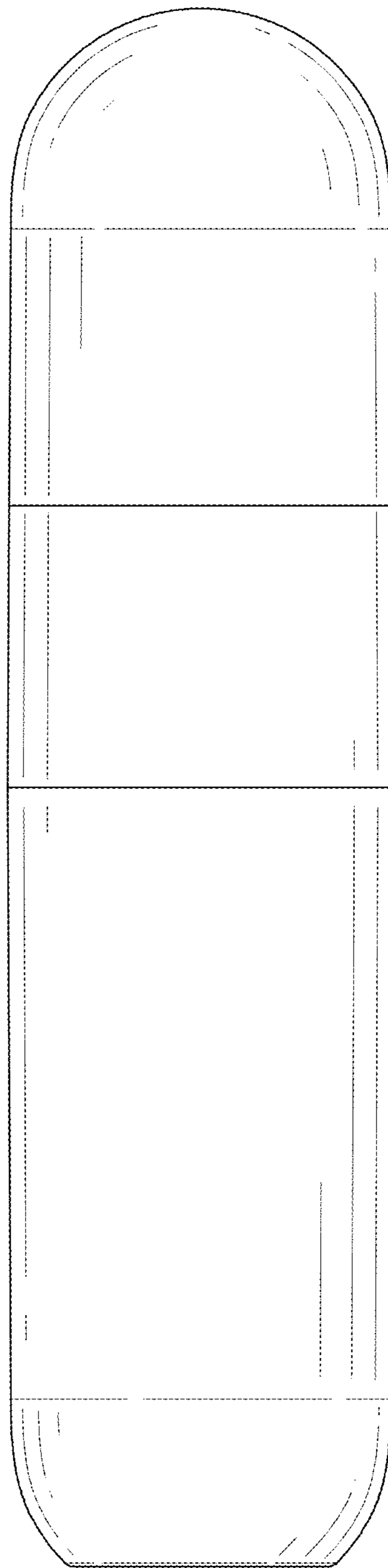


FIG. 4

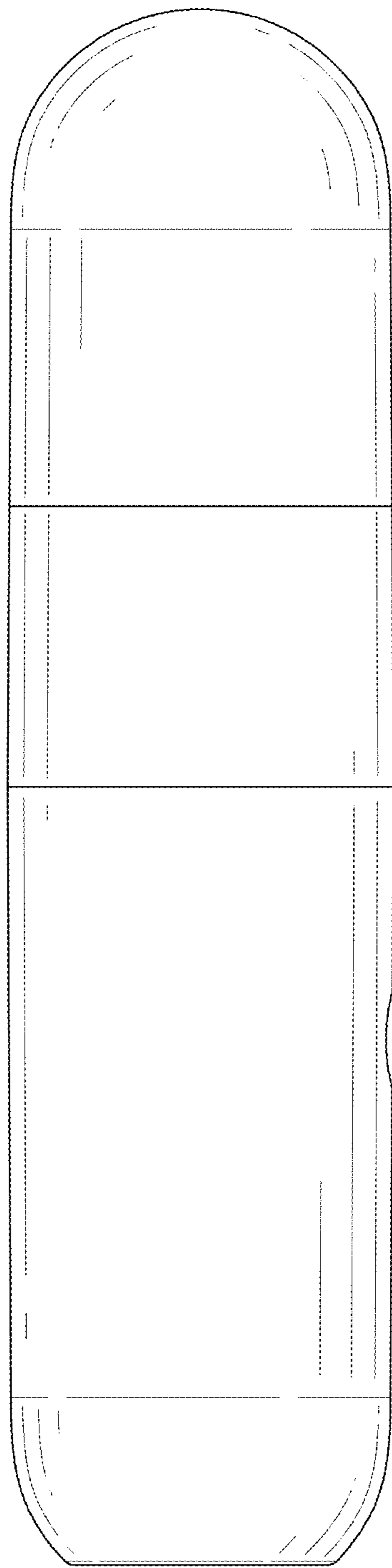


FIG. 5

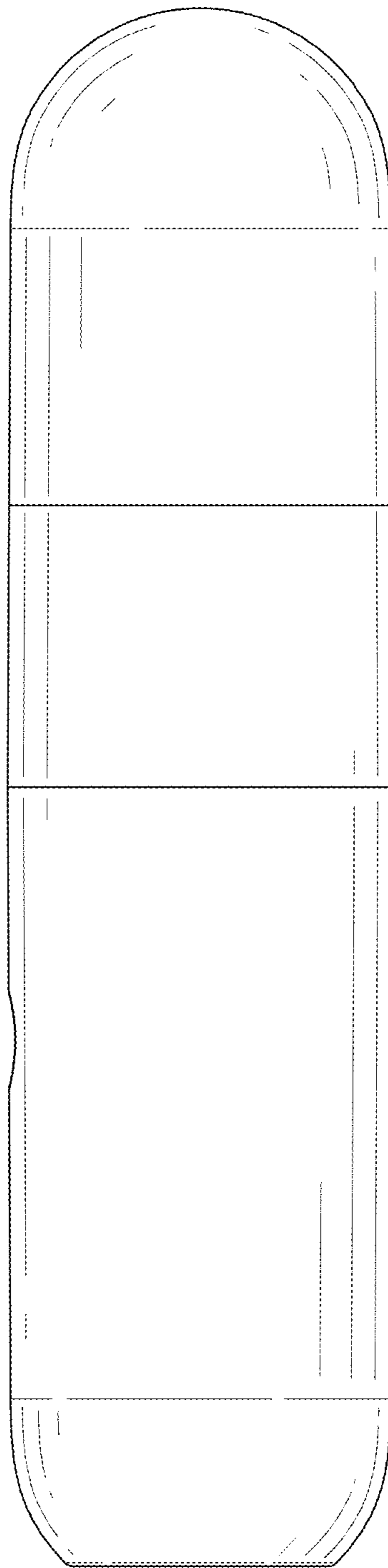


FIG. 6



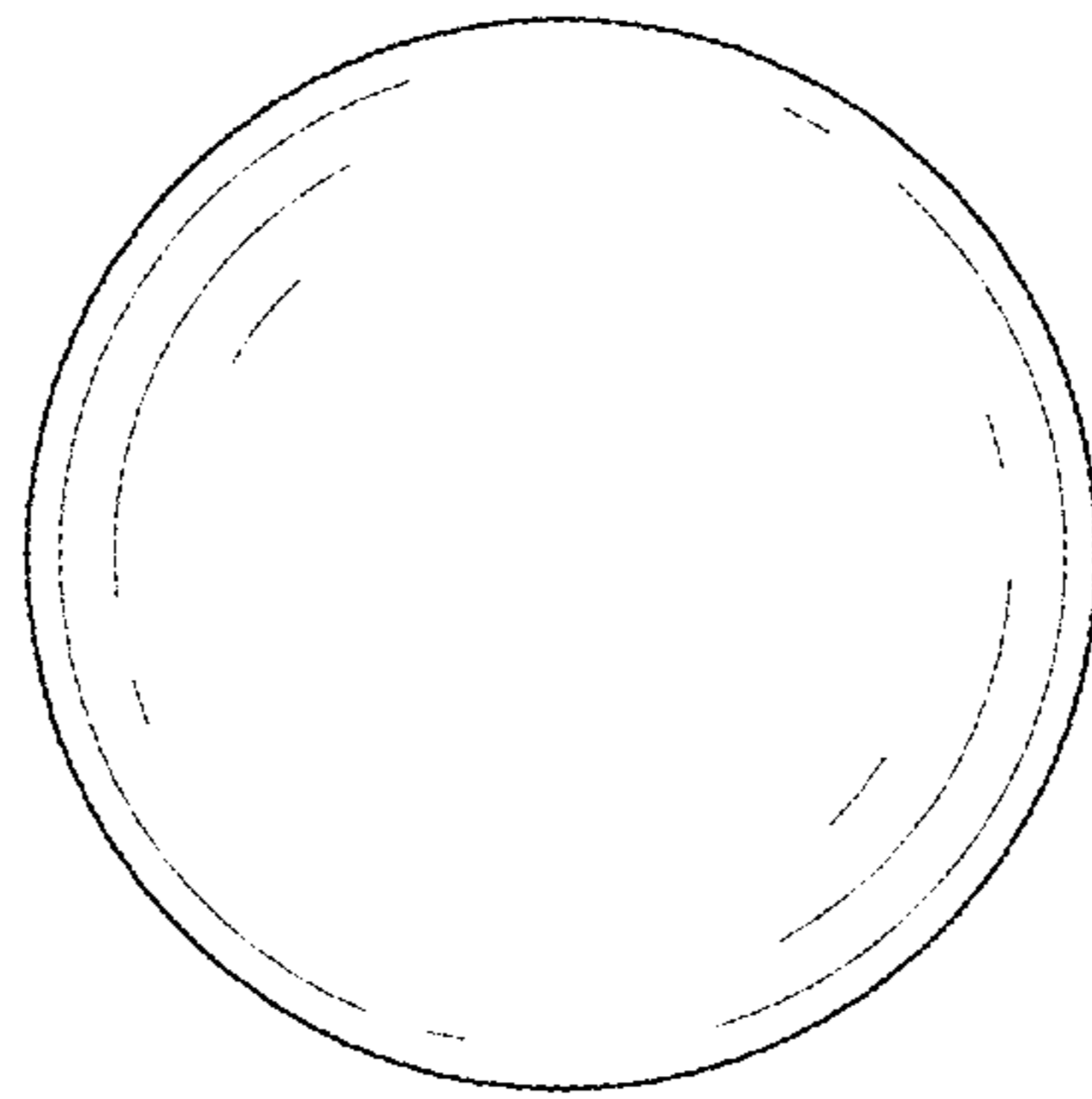


FIG. 7

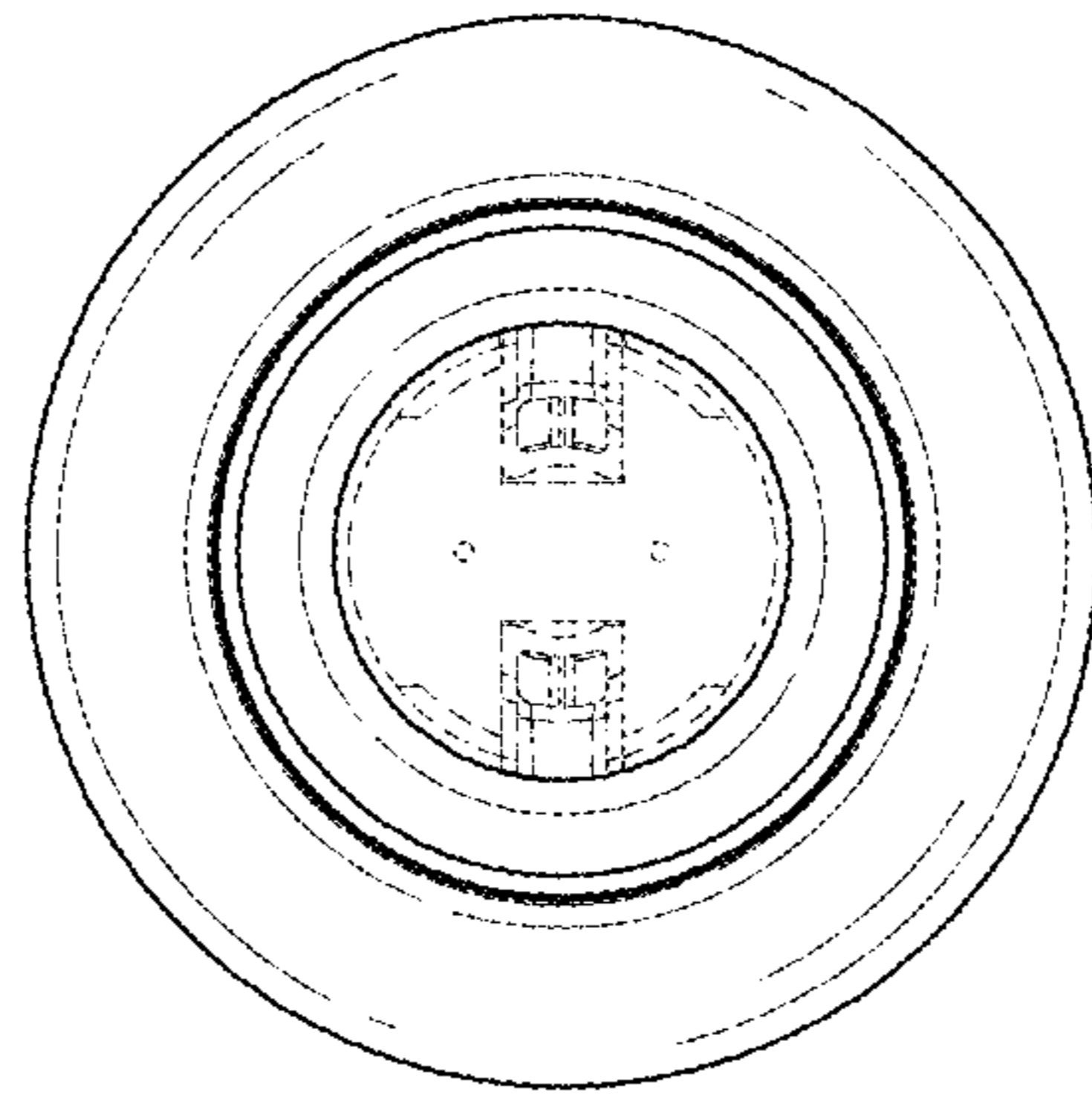


FIG. 8