



US00D899716S

(12) **United States Design Patent** (10) **Patent No.:** **US D899,716 S**
van Stuijvenberg (45) **Date of Patent:** **** Oct. 20, 2020**

(54) **ANIMAL EUTHANIZING MACHINE** 8,950,363 B2 * 2/2015 Rapoport G01R 33/30
119/420
(71) Applicant: **Top Equipment B.V.**, Tiel (NL) 9,198,440 B2 * 12/2015 Wilson, Jr. A22B 3/005
10,064,713 B2 * 9/2018 Im A61D 7/04
(72) Inventor: **Willem Marie van Stuijvenberg**,
Zoelen (NL) 2005/0020999 A1 * 1/2005 Hodgson A61M 16/18
604/512
2006/0107951 A1 * 5/2006 Barre A61D 7/04
128/202.12
(73) Assignee: **Top Equipment B.V.**, Tiel (NL) 2007/0006814 A1 * 1/2007 Mead A61D 7/04
119/420
(**) Term: **15 Years** 2015/0320534 A1 * 11/2015 Im A61M 16/01
600/543
2015/0327968 A1 * 11/2015 Im A61D 7/04
119/756

(21) Appl. No.: **29/650,504**
(22) Filed: **Jun. 7, 2018**
(51) **LOC (12) Cl.** **30-99**
(52) **U.S. Cl.**
USPC **D30/199**
(58) **Field of Classification Search**
USPC D30/199; 119/174, 420; D24/133, 170,
D24/176, 177, 203, 231, 232, 234
CPC .. A22B 3/00; A22B 3/005; A22B 5/00; A61D
7/00; A61D 7/04; A61D 99/00; A61M
16/18; A61M 16/009-01; A61M 16/20
See application file for complete search history.

(56) **References Cited**
U.S. PATENT DOCUMENTS
4,722,334 A * 2/1988 Blackmer A61D 7/04
128/203.16
7,461,652 B2 * 12/2008 Dalgetty A01K 1/031
128/203.12
7,549,397 B2 * 6/2009 Caplette A22B 3/00
119/420
7,806,082 B2 * 10/2010 Nelson A01K 1/031
119/420
8,851,018 B2 * 10/2014 Rapoport A61B 5/0555
119/420

* cited by examiner
Primary Examiner — Susan Moon Lee
(74) *Attorney, Agent, or Firm* — Terry M. Sanks, Esq.

(57) **CLAIM**
The ornamental design for an animal euthanizing machine,
as shown and described.

DESCRIPTION

FIG. 1 is a perspective view of animal euthanizing machine
in accordance with the present new design;
FIG. 2 is a front view of the animal euthanizing machine;
FIG. 3 is a back view of the animal euthanizing machine;
FIG. 4 is a top view of the animal euthanizing machine;
FIG. 5 is a bottom view of the animal euthanizing machine;
FIG. 6 is a right side view of the animal euthanizing
machine; and,
FIG. 7 is a left side view of the animal euthanizing machine.
The broken lines depict unclaimed features of the animal
euthanizing machine that form no part of the design claim
but are shown illustratively.

1 Claim, 7 Drawing Sheets

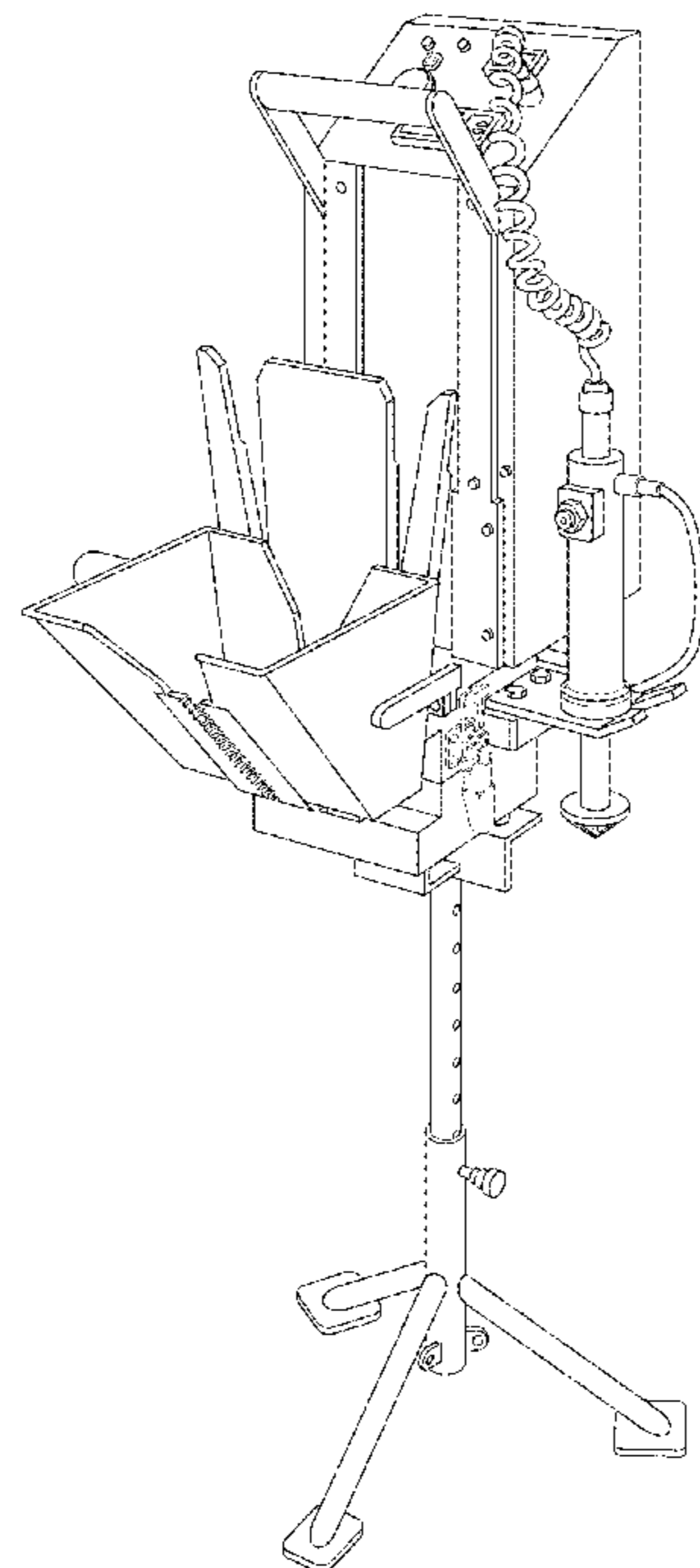


FIG. 1

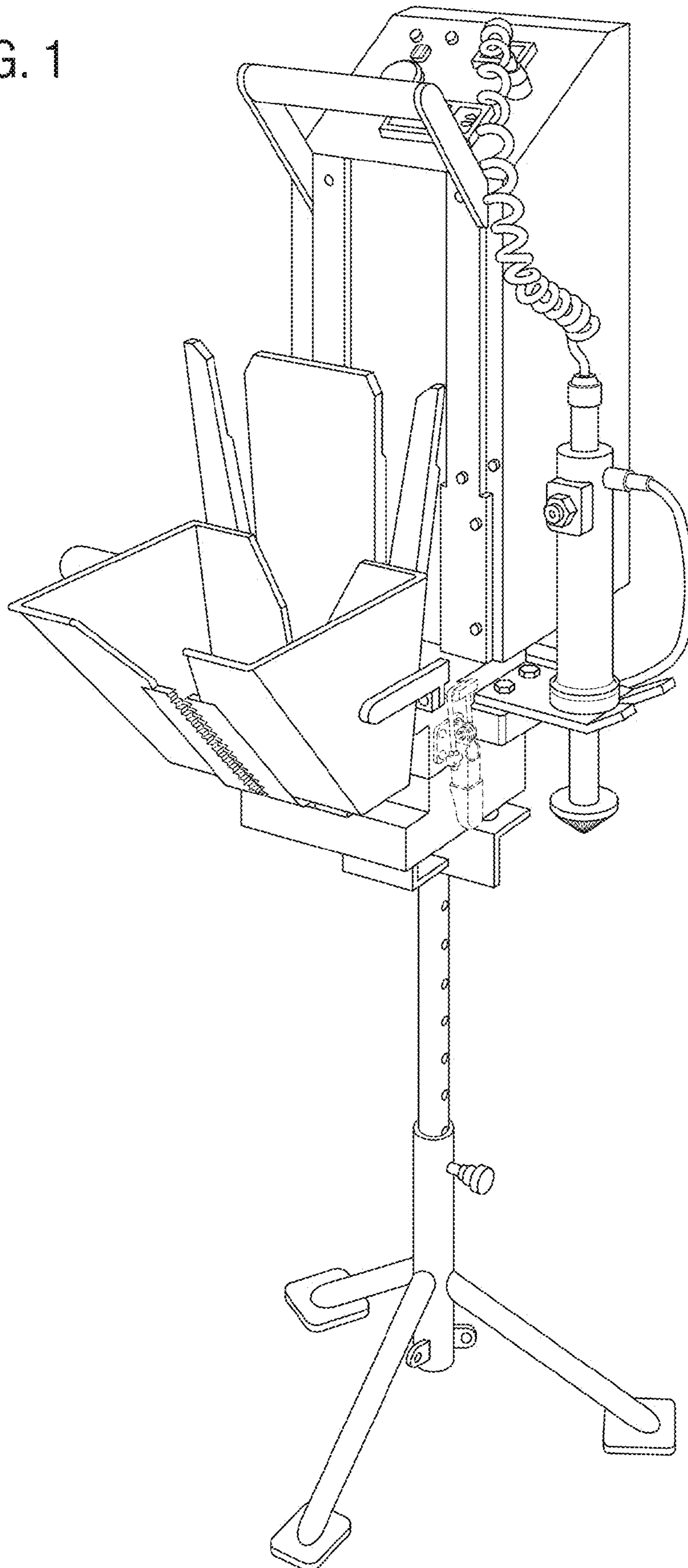


FIG. 2

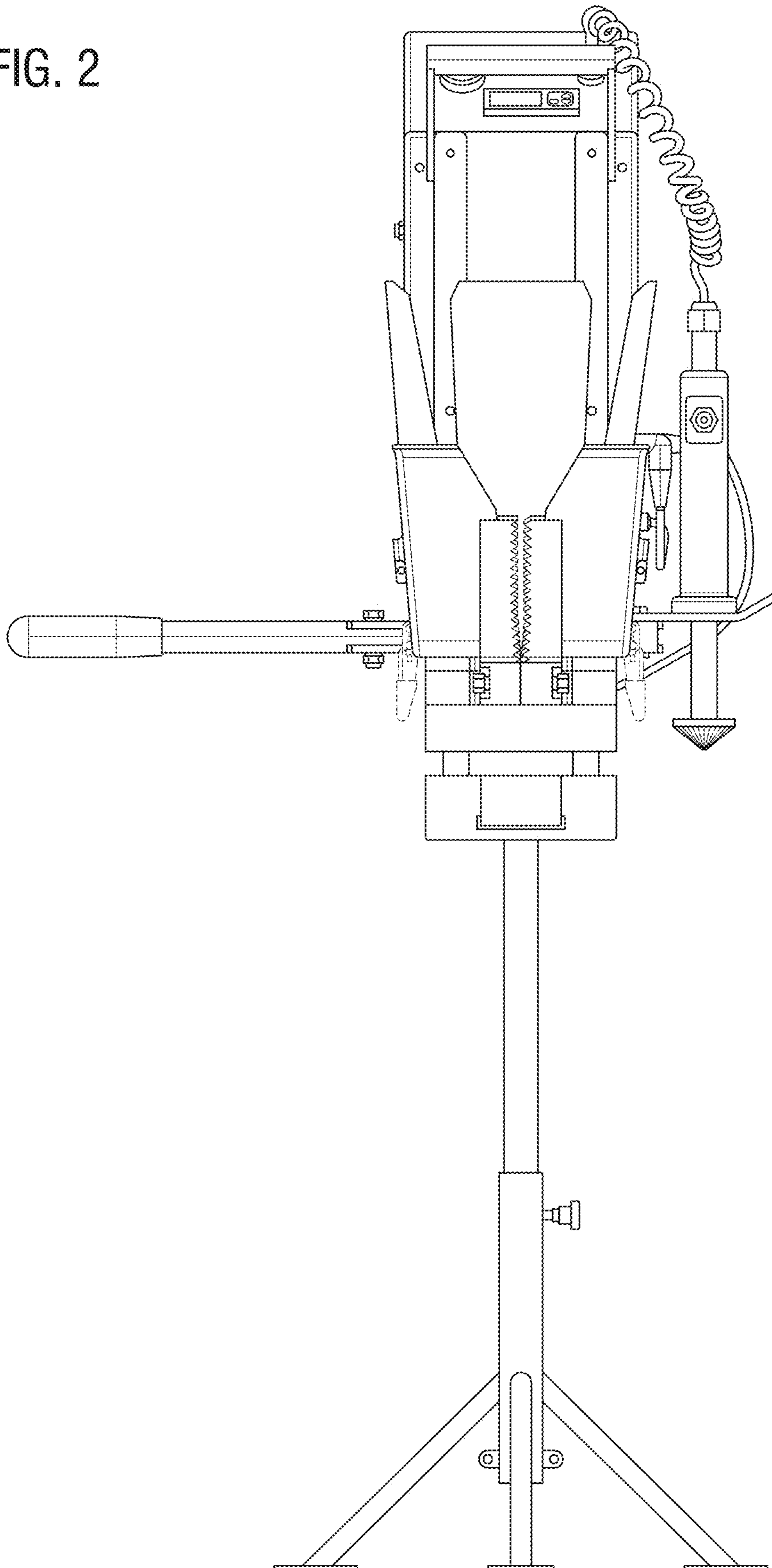


FIG. 3

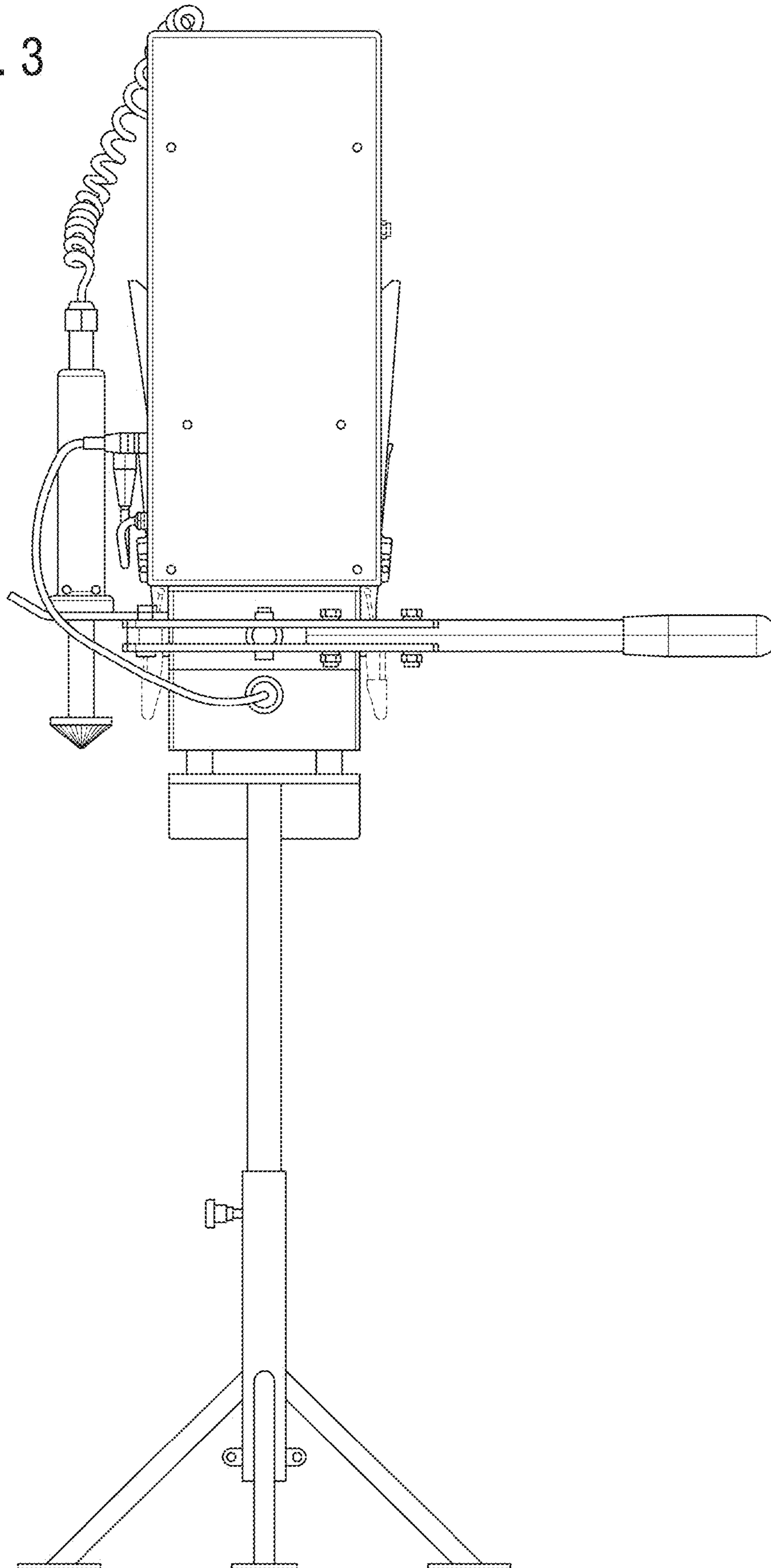


FIG. 4

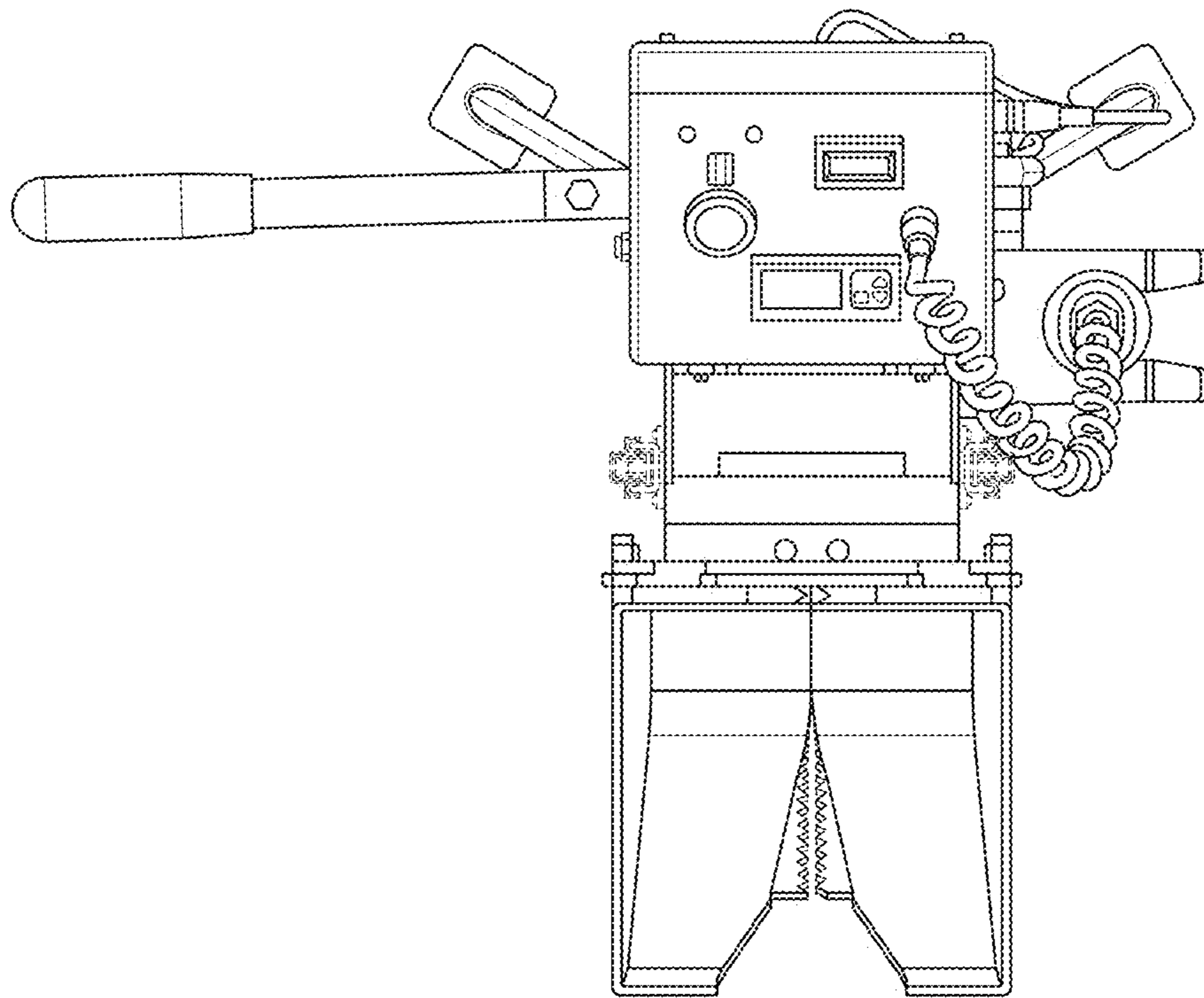


FIG. 5

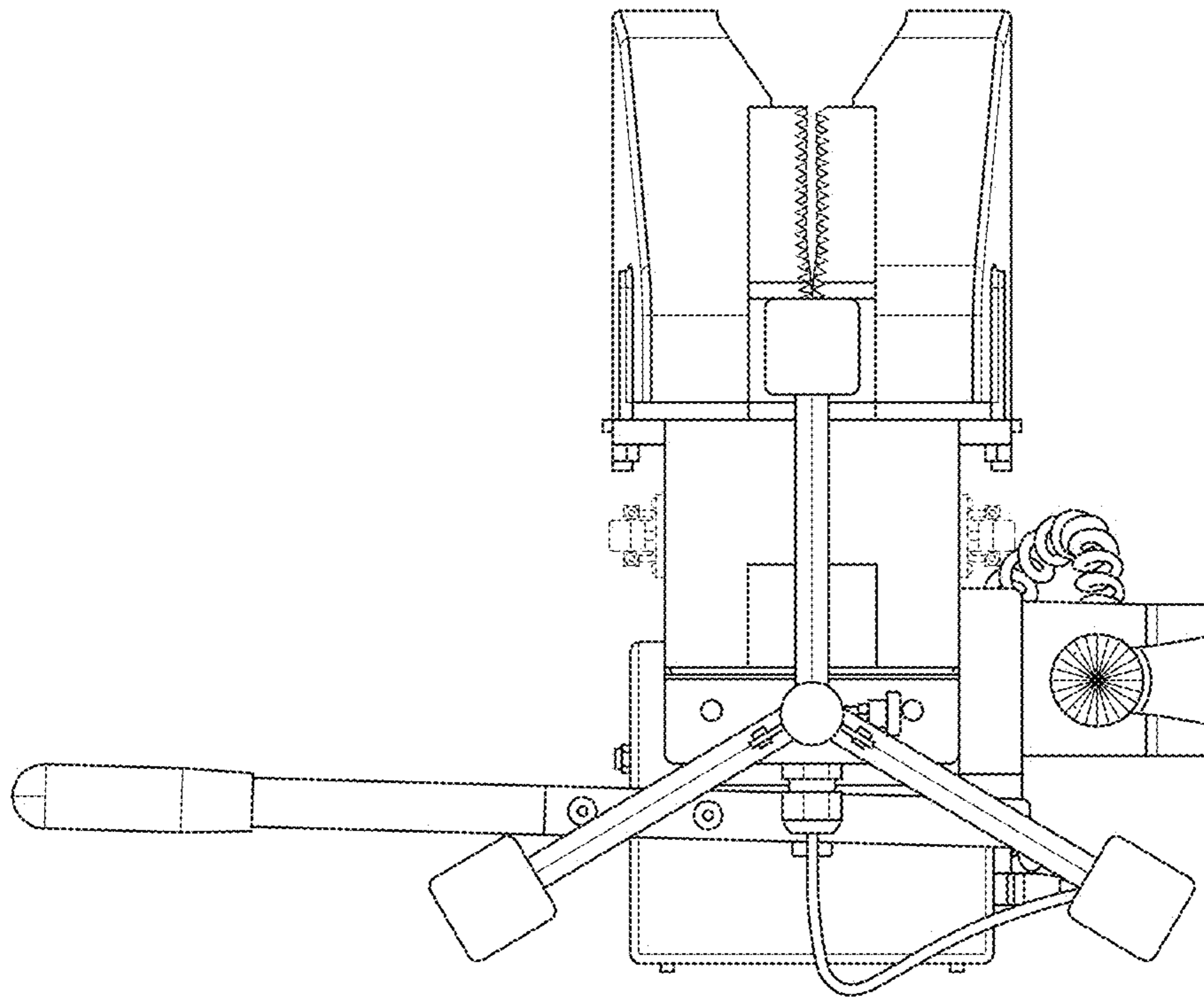


FIG. 6

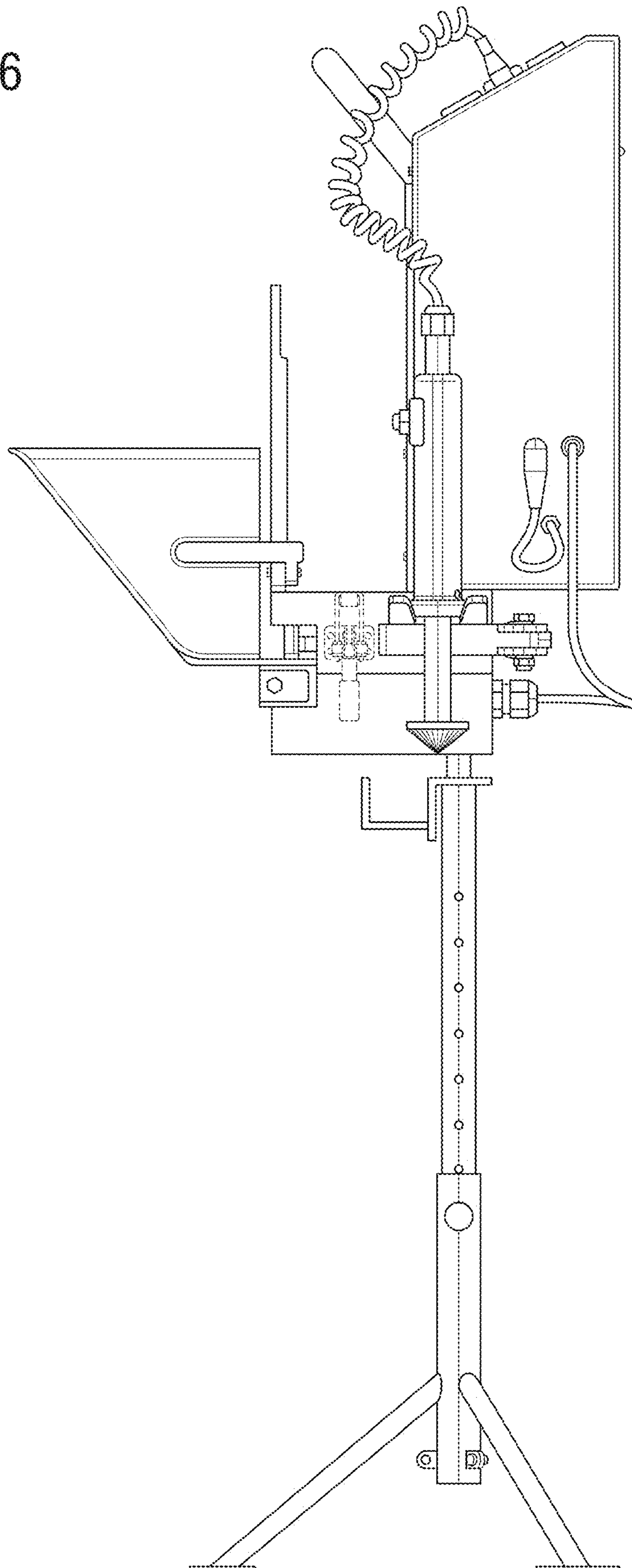


FIG. 7

