



US00D899713S

(12) **United States Design Patent**  
**Lu**

(10) **Patent No.:** **US D899,713 S**  
(45) **Date of Patent:** **\*\* Oct. 20, 2020**

- (54) **SIDED PET GROOMING TOOL**
- (71) Applicant: **EXCELL ELECTRONICS USA INC,**  
Baldwin Park, CA (US)
- (72) Inventor: **Yuzhu Lu,** Cary, NC (US)
- (\*\*) Term: **15 Years**
- (21) Appl. No.: **29/738,042**
- (22) Filed: **Jun. 15, 2020**
- (51) **LOC (12) Cl.** ..... **30-99**
- (52) **U.S. Cl.**  
USPC ..... **D30/159; D30/158**
- (58) **Field of Classification Search**  
USPC ..... D30/158, 159, 199, 162, 106; 119/625,  
119/633, 600, 617, 628, 632, 631, 613,  
119/618, 619, 620, 611, 609; 132/126,  
132/142, 219, 212, 149, 150, 159-161,  
132/163; 30/114, 130, 301, 305, 315,  
30/316, 299, 303, 306, 169, 322, 31, 30,  
30/279.2, 280, 287, 294, 199, 329-344,  
30/346.56, 346.61, 355, 357, 526-528;  
D7/672-676, 687, 686, 634, 619, 688,  
D7/653, 395; 425/298; 426/503;  
D4/136, 127, 124-126, 116-118, 199,  
D4/194; D32/42, 25, 46; 172/379, 380;  
D21/532, 398; 56/400.01, 400.1, 400.17,  
56/400.21, 400.05, 400.04, 330; 15/402,  
15/142, 236.07, 236.08, 236.05, 159.1,  
15/160, 171, 176.1, 236.01, 236.02;  
601/137, 136, 80, 93, 95, 97, 101, 103,  
601/138, 143-147; D8/13, 6, 10, 11, 12,  
D8/1, 33, 40, 41, 80, 94, 97, 98, 105,  
D8/107, 300-303, 307, 321; 126/173,  
126/214 C, 25 R; D28/46, 48  
CPC ..... A01K 13/00; A01K 13/002; B26B 19/24;  
B26B 19/063; B26B 19/02; B26B 19/04;  
B26B 19/06; B26B 19/10; B26B 19/20;  
B26B 19/22; B26B 19/28; B26B 19/38;  
B26B 19/382; B26B 19/3813; B26B  
19/3846; B26B 21/16; B26B 21/18; B26B  
21/521; B26B 21/4075; B26B 21/522;

- B26B 21/00; B26B 21/12; B26B 21/125;  
B26B 21/4006; B26B 21/52; B26B 21/56;  
B26B 21/565; B26B 21/525; B26B  
21/528; B26B 15/00; B26B 13/22; B26B  
13/24; B26B 13/26; A45D 24/30; A45D  
24/00; A45D 24/04; A45D 24/10; A45D  
24/36; A45D 24/02; A45D 24/40; A45D  
24/42; A45D 24/44; A45D 2024/345;  
A45D 24/06; A46B 5/02; A46B 5/021;  
A46B 5/026; A46B 5/028; A46B  
2200/1093; A46B 2200/10; A46B 9/02;  
A46B 7/04-044;
- (Continued)

- (56) **References Cited**
- U.S. PATENT DOCUMENTS
- D218,445 S \* 8/1970 Lovvorn ..... D30/159
  - D229,620 S \* 12/1973 Sleith ..... D30/159
- (Continued)
- Primary Examiner* — Susan Moon Lee  
(74) *Attorney, Agent, or Firm* — ZANIP

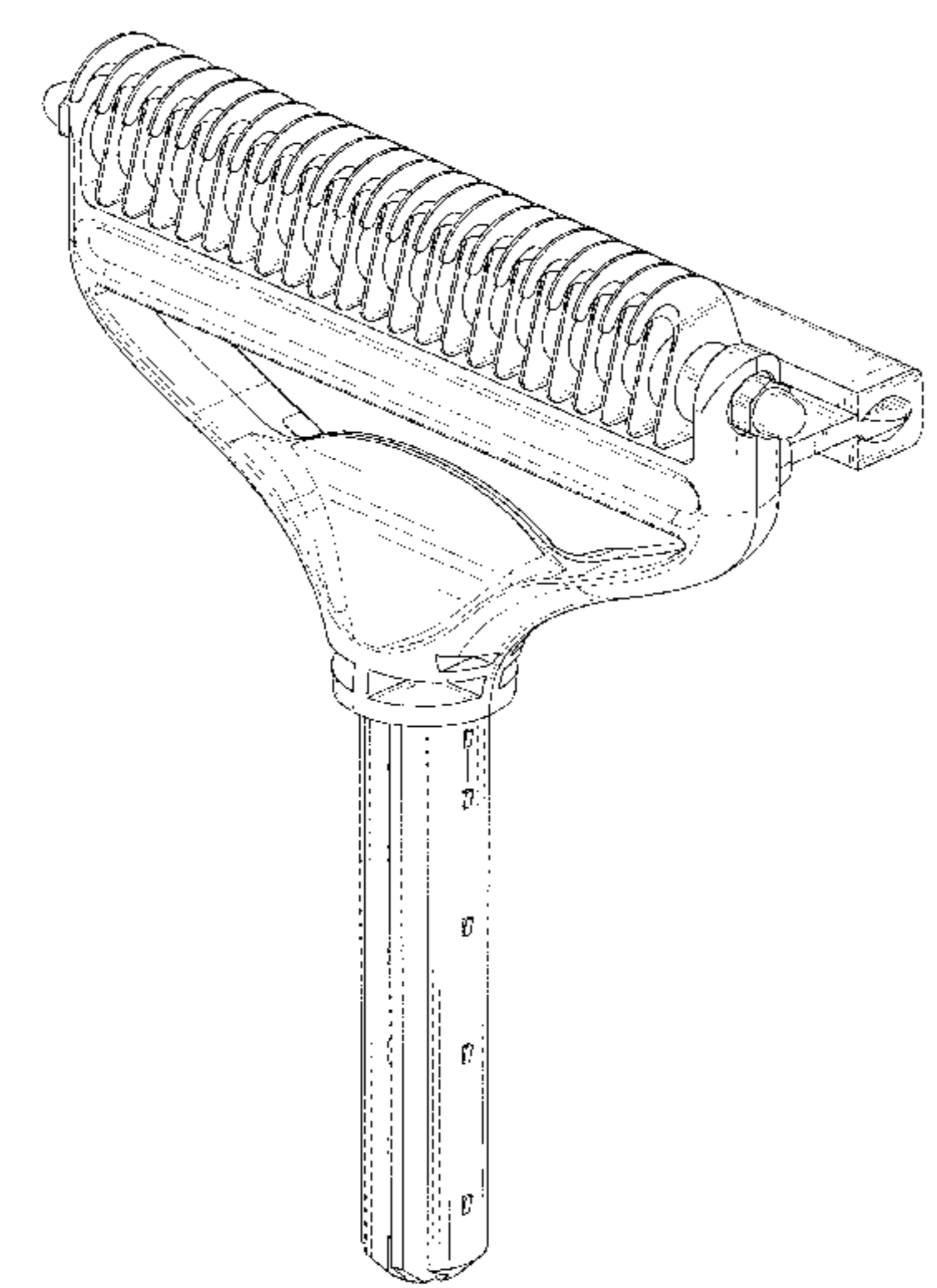
(57) **CLAIM**

The ornamental design for a sided pet grooming tool, as shown and described.

**DESCRIPTION**

FIG. 1 is a front and top perspective view of a sided pet grooming tool, showing my new design;  
FIG. 2 is a rear and bottom perspective view thereof;  
FIG. 3 is a front elevational view thereof;  
FIG. 4 is a rear elevational view thereof;  
FIG. 5 is a left side elevational view thereof;  
FIG. 6 is a right side elevational view thereof;  
FIG. 7 is a top plan view thereof; and,  
FIG. 8 is a bottom plan view thereof.  
The broken lines in the figures illustrate portions of the article that form no part of the claimed design.

**1 Claim, 8 Drawing Sheets**



# US D899,713 S

Page 2

(58) **Field of Classification Search**

CPC . B25G 1/01; B25G 1/10; B25G 1/102; B25G 3/00; B25G 3/04; B25G 3/08; Y10T 16/476; Y10T 16/48

See application file for complete search history.

(56)

**References Cited**

U.S. PATENT DOCUMENTS

D353,225 S \* 12/1994 Doran ..... D28/31  
7,748,350 B2 \* 7/2010 Vandervoet ..... A01K 13/002  
119/618  
8,720,381 B2 \* 5/2014 Wang ..... A01K 13/002  
119/611  
D739,986 S \* 9/2015 Sullivan ..... D30/159  
9,301,499 B2 \* 4/2016 Holt, Jr. .... A01K 13/002  
9,301,500 B1 \* 4/2016 Murphy ..... A01K 13/002  
D779,135 S \* 2/2017 Chang ..... D30/159  
D844,261 S \* 3/2019 Agtual ..... A46B 9/028  
D30/159  
D848,680 S 5/2019 Coughlin

10,357,021 B1 \* 7/2019 Agtual ..... A46B 15/0065  
10,492,467 B2 \* 12/2019 Harris, II ..... A45D 24/04  
D891,710 S \* 7/2020 Zhang ..... D30/158  
2004/0194728 A1 \* 10/2004 Dunn ..... A01K 13/002  
119/625  
2011/0067644 A1 \* 3/2011 Prochaska ..... A01K 13/002  
119/628  
2011/0297100 A1 \* 12/2011 Dennis ..... A01K 13/002  
119/601  
2012/0304938 A1 \* 12/2012 Wang ..... A01K 13/002  
119/618  
2013/0125829 A1 \* 5/2013 Wang ..... A01K 13/002  
119/611  
2014/0026821 A1 \* 1/2014 Tu ..... A01K 13/002  
119/600  
2017/0071156 A1 \* 3/2017 Cafasso ..... A47L 25/005  
2017/0215379 A1 \* 8/2017 Hadden ..... B25G 3/04  
2020/0008571 A1 \* 1/2020 Chang ..... A46B 15/0055  
2020/0037580 A1 \* 2/2020 Axelrod ..... A46B 7/10  
2020/0060231 A1 \* 2/2020 Lin ..... A01K 13/002  
2020/0196570 A1 \* 6/2020 DI ..... A46B 5/02

\* cited by examiner

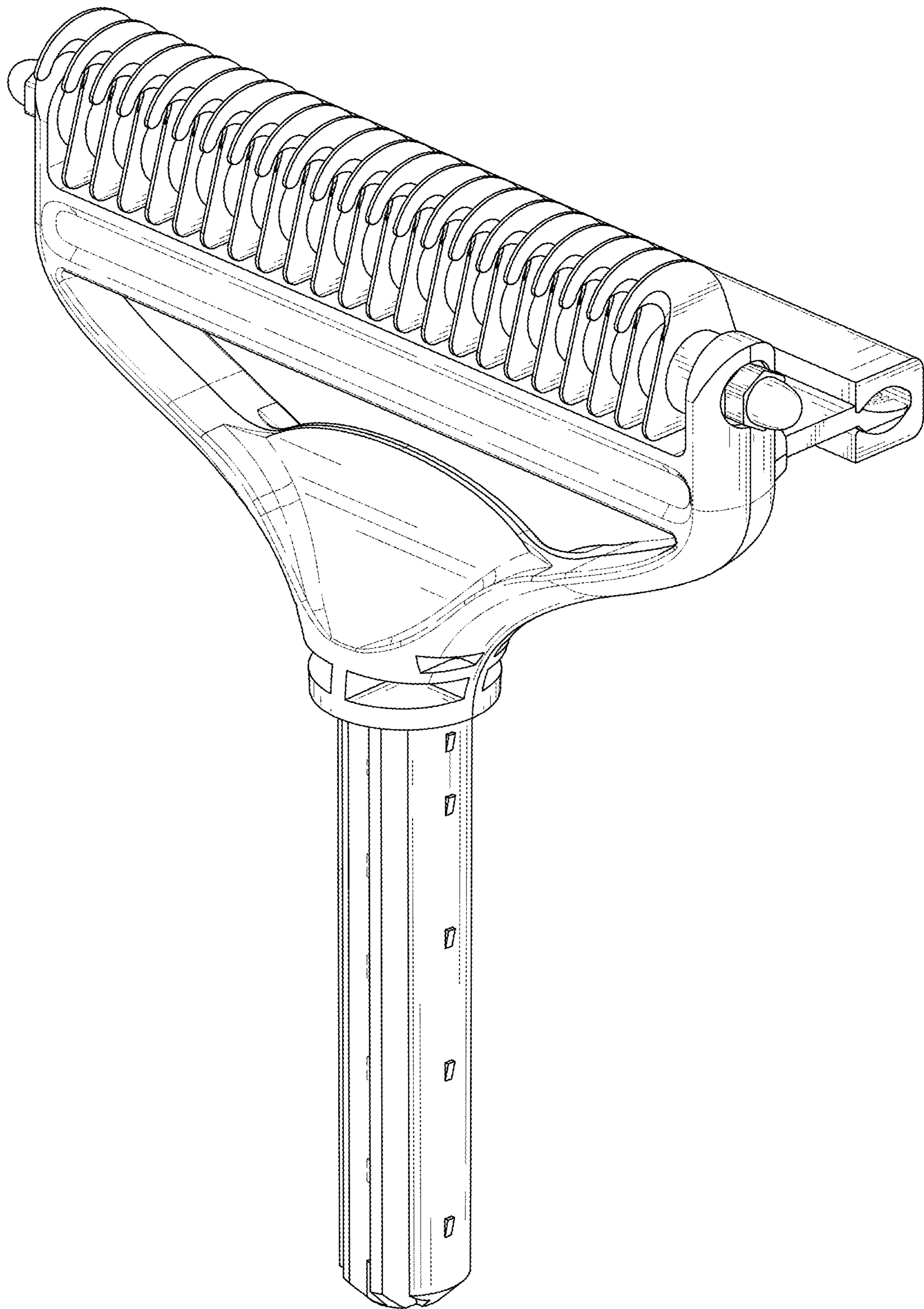


FIG. 1

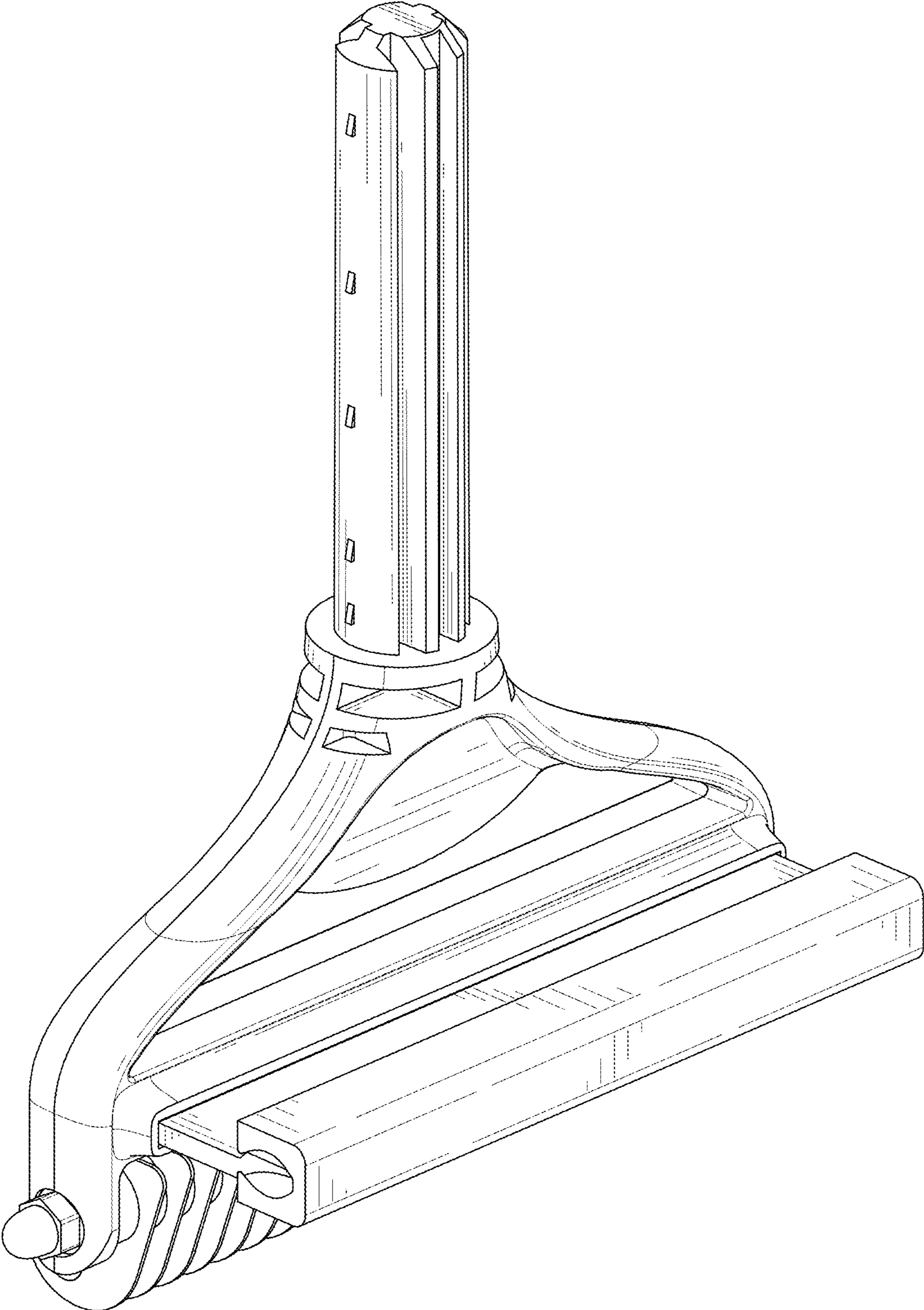


FIG. 2

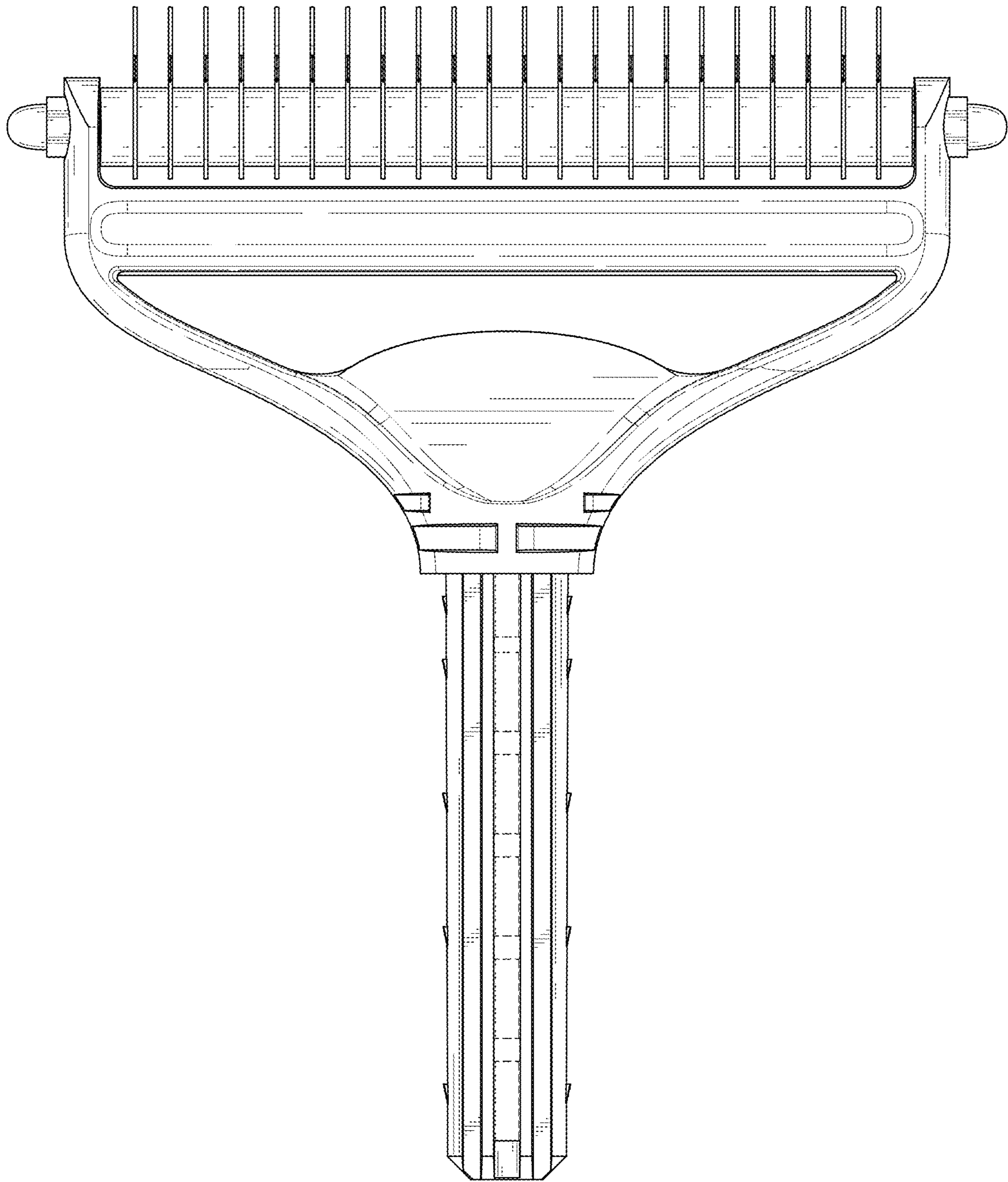


FIG. 3

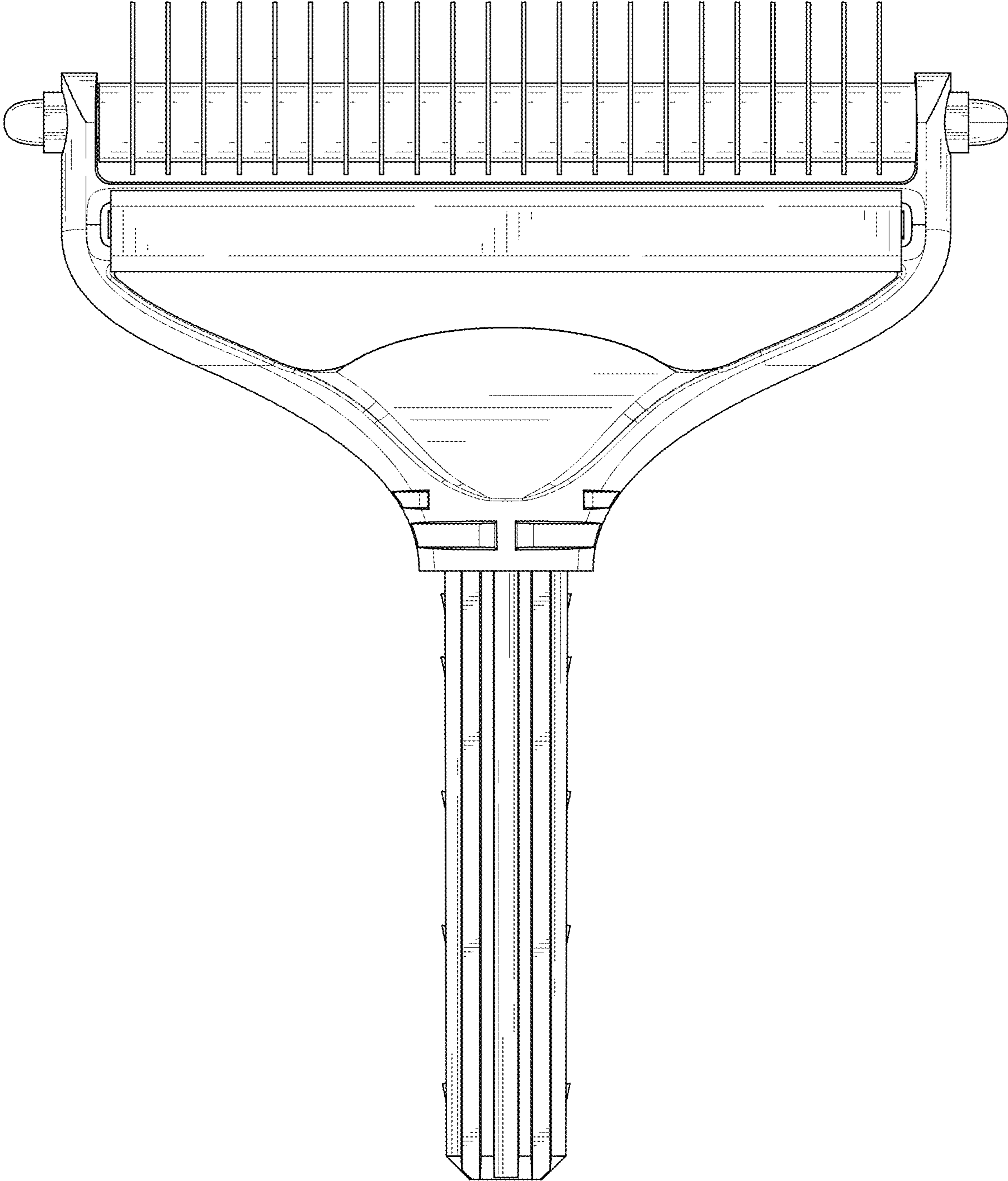


FIG. 4

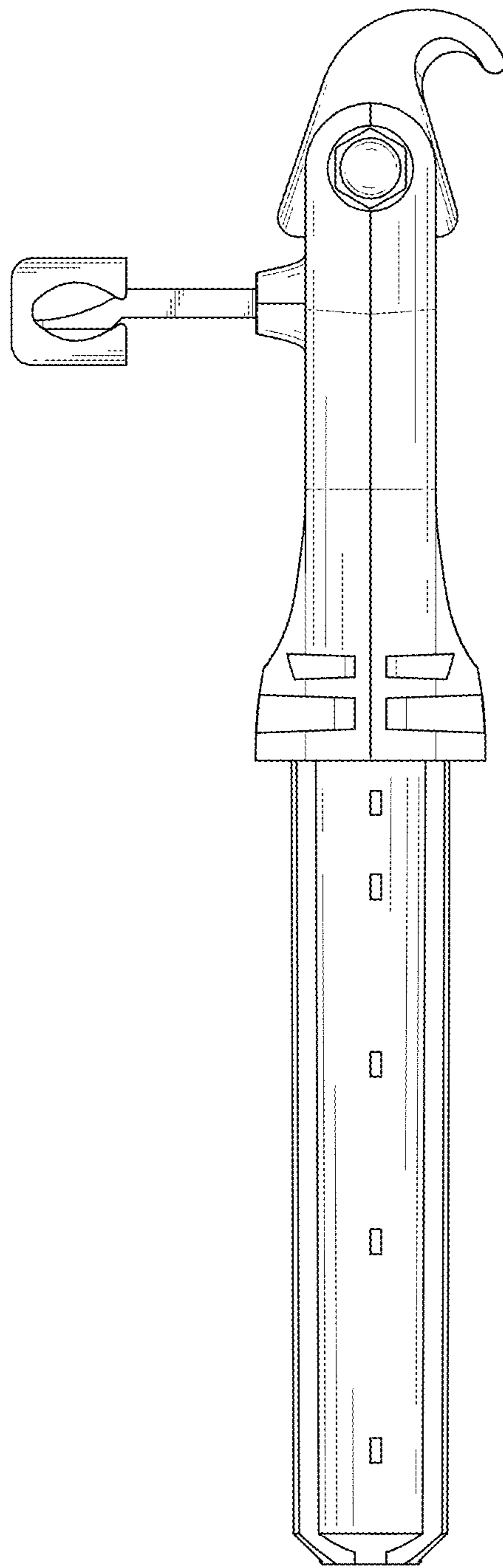


FIG. 5

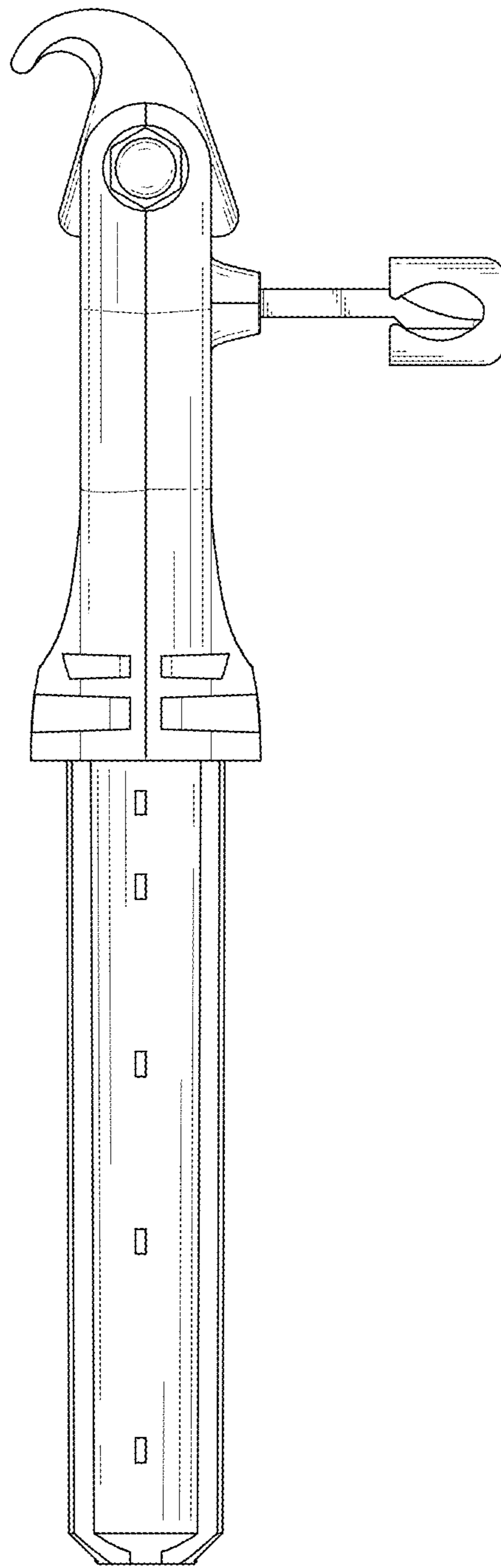


FIG. 6



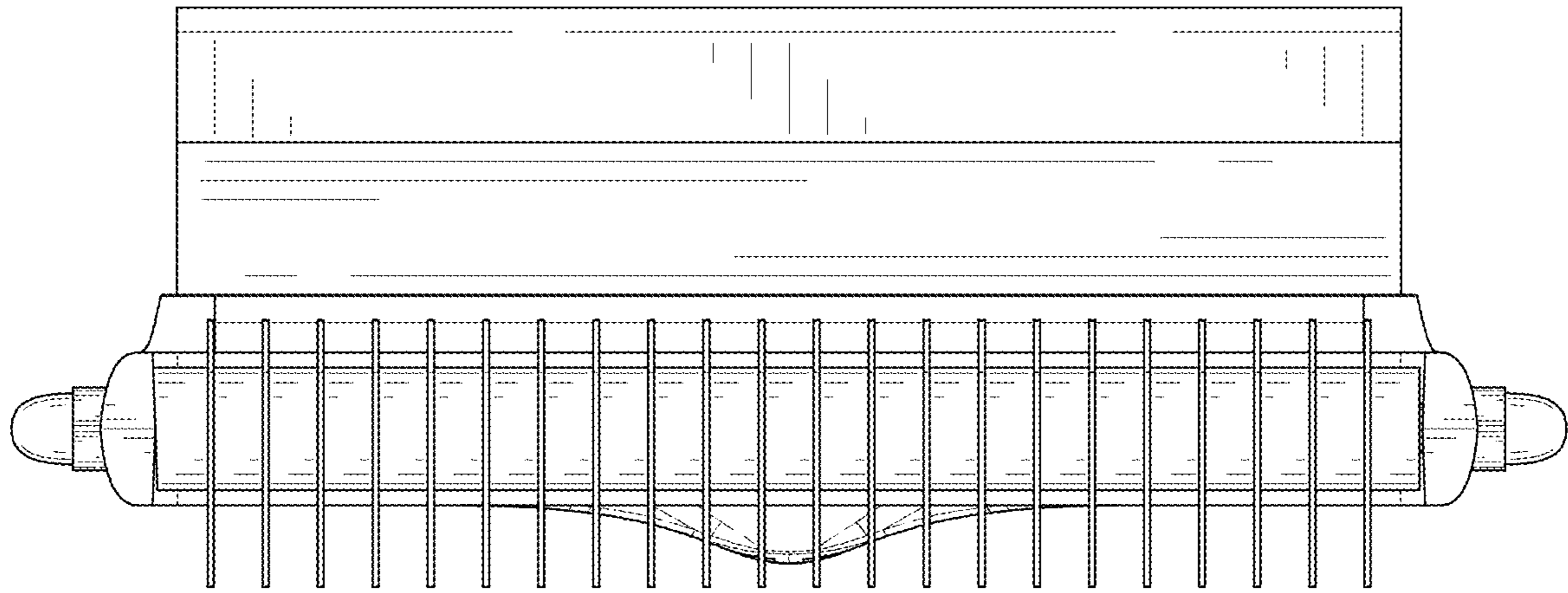


FIG. 7

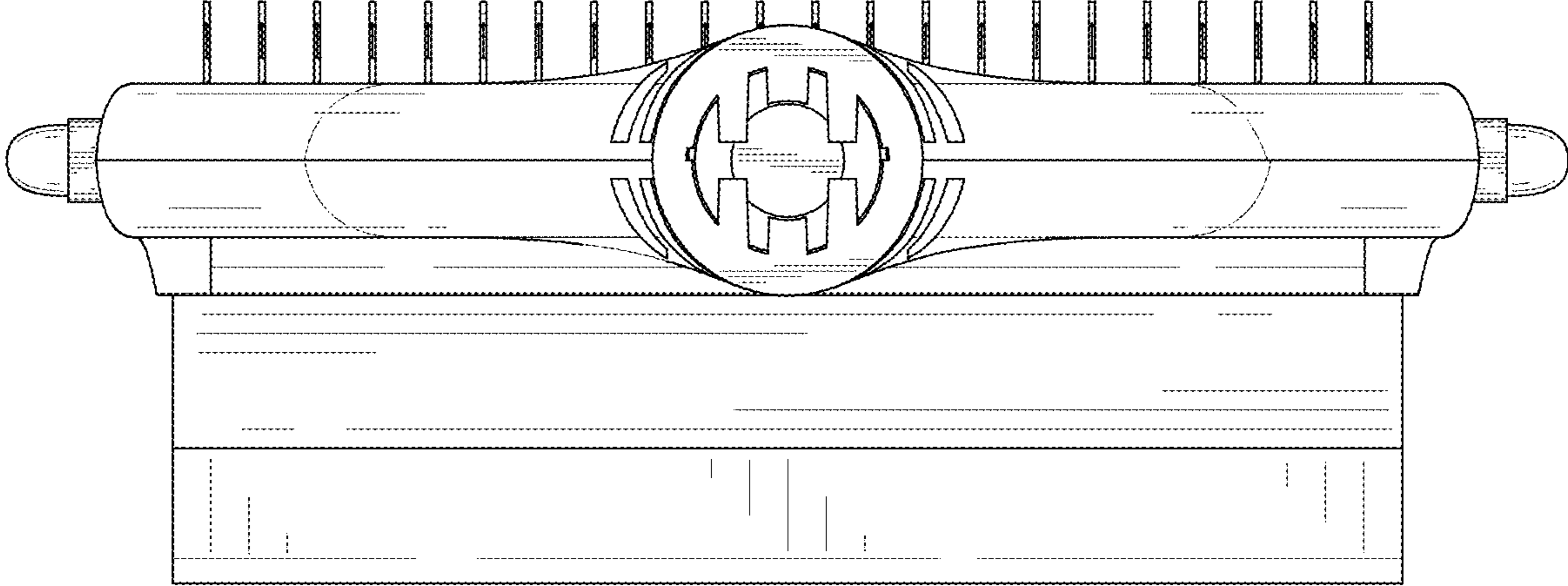


FIG. 8