



US00D899710S

(12) **United States Design Patent** (10) **Patent No.:** **US D899,710 S**  
**MacDonald** (45) **Date of Patent:** **\*\* Oct. 20, 2020**

(54) **FLEXIBLE STRAP FOR A HOOF BOOT**  
(71) Applicant: **ScootBoot Pty Ltd**, Koonya, Tasmania (AU)  
(72) Inventor: **David Duncan MacDonald**, Tasmania (AU)  
(73) Assignee: **SCOOTBOOT PTY LTD**, Tasmania (AU)  
(\*\*) Term: **15 Years**  
(21) Appl. No.: **29/677,621**  
(22) Filed: **Jan. 22, 2019**  
(30) **Foreign Application Priority Data**

Jul. 23, 2018 (AU) ..... 201814399  
(51) **LOC (12) Cl.** ..... **30-01**  
(52) **U.S. Cl.**  
USPC ..... **D30/146**; D3/215; D30/153; D30/144  
(58) **Field of Classification Search**  
USPC ..... D30/102, 108, 113, 114, 118, 119, 120, D30/144-154, 199; D3/215, 216, 221, D3/226, 231, 233, 327, 218; D29/101.1, D29/101.3, 101.5, 103, 104, 109, 122; D24/190-192, 199, 186, 189; D2/627, D2/896, 897, 902, 909, 919, 943, 980, D2/718, 719, 860, 864, 723, 961; D6/675, 567, 572; D9/650, 430, 432; D10/30, 40, 70, 50, 52, 60, 61, 104.1, D10/104.2; D11/79, 86, 201; D14/344, D14/242, 203.1, 203.3, 203.5; D21/387; D23/366, 368, 364; D25/152, 153, 157; D20/11, 27, 19, 24, 30  
CPC ..... A01K 1/00; A01K 1/02; A01K 1/0088; A01K 13/007; A01K 13/006; A01K 13/00; A01K 27/00; A01K 27/001; A01K 27/002;

(Continued)

(56) **References Cited**

U.S. PATENT DOCUMENTS

65,231 A 5/1867 Jennings  
70,035 A 10/1867 Sloat  
(Continued)

FOREIGN PATENT DOCUMENTS

AU 2013200509 A1 2/2013  
AU 2014231767 A1 11/2015  
(Continued)

OTHER PUBLICATIONS

International Search Report dated Apr. 11, 2014 for corresponding International Patent Application PCT/AU2013/000249, filed Mar. 13, 2014.

(Continued)

*Primary Examiner* — Dana K Weiland  
*Assistant Examiner* — Mary Claire Ramirez  
(74) *Attorney, Agent, or Firm* — Steven M. Koehler; Westman, Champlin & Koehler, P.A.

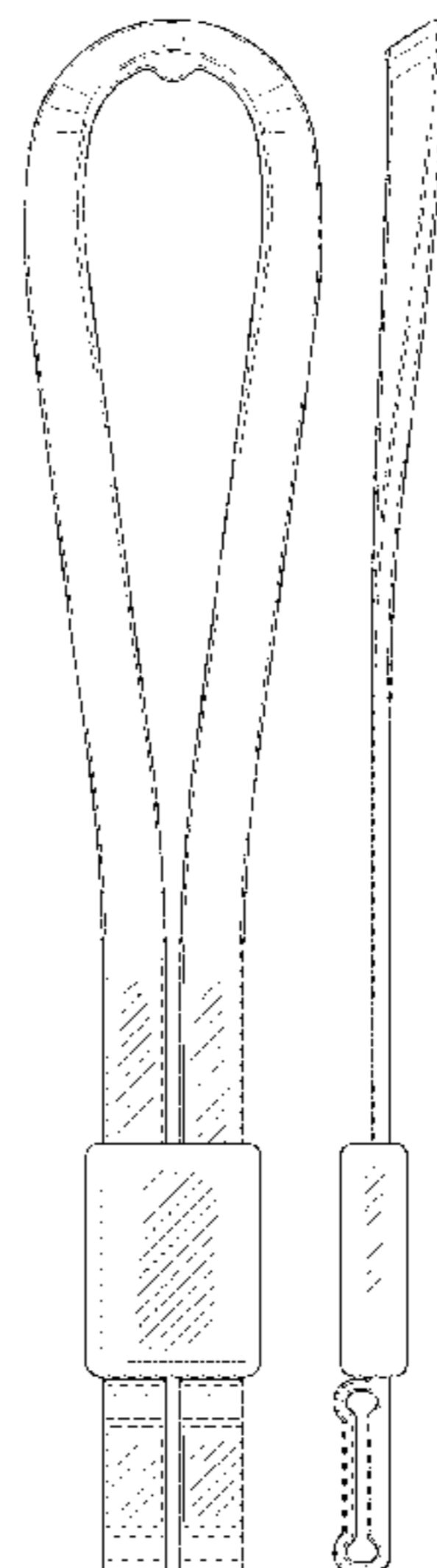
(57) **CLAIM**

The ornamental design for a flexible strap for a hoof boot, as shown and described.

**DESCRIPTION**

FIG. 1 is a perspective view of a flexible strap for a hoof boot showing the new design.  
FIG. 2 is a front view thereof.  
FIG. 3 is a rear view thereof.  
FIG. 4 is a right side view thereof, the left side view being a mirror image thereof.  
FIG. 5 is an enlarged top view of the flexible strap for a hoof boot; and,  
FIG. 6 is a bottom view thereof.  
The broken lines depict portions of the flexible strap for a hoof boot that form no part of the claimed design.

**1 Claim, 6 Drawing Sheets**



# US D899,710 S

(58) **Field of Classification Search**  
 CPC .. A01K 27/003; A01K 27/004; A01K 27/005;  
 A01K 27/006; A01K 27/008; A01K  
 27/009; A01K 25/00; A01K 15/04; A01K  
 15/021; A01K 15/022; A01K 11/006;  
 A01K 11/008; A01K 23/00; A01K 29/00;  
 A41B 13/06; A61F 11/12; A61D 9/00;  
 B68B 1/02; B68B 1/01; E06B 9/02;  
 E06B 9/0623; E06B 9/0638; A01L 3/02;  
 A01L 5/00; A01L 1/02  
 See application file for complete search history.

D295,907 S 5/1988 Decker  
 4,744,422 A 5/1988 Dallmer  
 4,981,010 A 1/1991 Orza  
 5,148,872 A 9/1992 Dallmer  
 D343,291 S \* 1/1994 Langford ..... D3/218  
 5,282,825 A \* 2/1994 Muck ..... A01K 15/00  
 119/804  
 5,345,656 A \* 9/1994 Merritt ..... F16G 11/14  
 24/115 H  
 D354,760 S \* 1/1995 Wolff ..... D16/339  
 5,481,888 A \* 1/1996 Perry ..... E05B 73/0005  
 403/312  
 5,511,756 A \* 4/1996 Spradling ..... A63B 71/0045  
 248/316.7

(56) **References Cited**  
 U.S. PATENT DOCUMENTS

96,104 A 10/1869 Haedrich  
 124,215 A 3/1872 Moran  
 149,930 A 4/1874 Higgins  
 167,895 A 9/1875 Hall  
 177,991 A 5/1876 Cook  
 267,855 A 11/1882 Fenley  
 288,836 A 11/1883 Miller  
 349,668 A 9/1886 St. John  
 440,048 A 11/1890 Mayow  
 448,312 A 3/1891 Barclay  
 D26,832 S 3/1897 Hirsch  
 601,541 A 3/1898 Anderson  
 617,153 A 1/1899 Galpin  
 625,810 A 5/1899 Shappell  
 630,310 A 8/1899 Agnew  
 661,424 A 11/1900 Pflueger  
 697,791 A 4/1902 Boumal  
 708,983 A 9/1902 Bartlett  
 719,687 A 2/1903 Nickerson  
 759,636 A 5/1904 Ryan  
 797,895 A 8/1905 Johnson  
 798,598 A 9/1905 Conn  
 840,892 A 1/1907 Adam  
 918,556 A 4/1909 Kalm  
 1,036,750 A 8/1912 Tuttle  
 1,039,002 A 9/1912 Winston  
 1,054,563 A 2/1913 Kiso  
 1,096,912 A 5/1914 Herman  
 1,129,683 A 2/1915 Jaffie  
 1,211,268 A 1/1917 Zadina  
 1,218,901 A 3/1917 Saxton  
 1,270,207 A \* 6/1918 Preston ..... A45F 5/00  
 224/220  
 1,274,483 A 8/1918 Wiesenberg  
 1,294,896 A 2/1919 Grant  
 1,298,364 A 3/1919 McCoy  
 1,328,708 A 1/1920 Henry  
 1,879,991 A \* 9/1932 Pratt ..... A01M 31/06  
 24/115 G  
 2,064,566 A 12/1936 Richman  
 2,535,394 A 12/1950 Davis  
 2,572,889 A \* 10/1951 Strykower ..... A45F 3/14  
 224/258  
 2,619,744 A 12/1952 Mattes  
 3,364,500 A \* 1/1968 Fox ..... A41D 25/022  
 2/150  
 3,439,670 A 4/1969 Schuerch  
 3,794,119 A 2/1974 Paiso et al.  
 3,867,905 A \* 2/1975 Vail, Jr. .... A01K 27/005  
 119/793  
 3,967,683 A 7/1976 Ensinozo  
 4,019,463 A \* 4/1977 Kitchen ..... A01K 27/003  
 119/793  
 4,185,695 A 1/1980 Hancock  
 4,189,004 A 2/1980 Glass  
 4,212,356 A 7/1980 Battle  
 4,265,314 A 5/1981 Tovim  
 4,346,762 A 8/1982 Tovim  
 D293,043 S \* 12/1987 Zamboni ..... D11/215  
 4,736,800 A 4/1988 Rohner

5,528,885 A 6/1996 Chamberlain  
 5,600,901 A 2/1997 Leonor  
 D382,503 S \* 8/1997 Kalbach ..... D11/7  
 D410,336 S \* 6/1999 Frisoni ..... D3/327  
 6,056,173 A \* 5/2000 Gillespie ..... A45C 13/30  
 224/194  
 6,058,578 A \* 5/2000 Lan ..... A44B 19/262  
 24/115 G  
 6,192,989 B1 2/2001 Tooman  
 6,619,238 B1 \* 9/2003 Amato ..... A01K 27/003  
 119/792  
 6,694,713 B1 2/2004 Macdonald  
 D505,259 S \* 5/2005 Heatherwick ..... D3/233  
 7,032,367 B1 4/2006 Yoho  
 D543,697 S \* 6/2007 Heatherwick ..... D3/233  
 D557,008 S \* 12/2007 Stiller ..... D3/207  
 7,302,788 B1 12/2007 Chang  
 D568,148 S \* 5/2008 Tamura ..... D8/383  
 7,445,051 B2 11/2008 Ruetenik  
 D597,824 S \* 8/2009 Wang ..... D8/356  
 7,578,115 B2 8/2009 Ford et al.  
 D614,018 S \* 4/2010 McClanahan ..... D8/356  
 D615,253 S \* 5/2010 Goodell ..... D30/153  
 D629,290 S \* 12/2010 Stevens ..... D8/367  
 D638,330 S \* 5/2011 Fahrendorff ..... D11/200  
 8,151,545 B1 4/2012 Ford  
 D662,436 S \* 6/2012 Kalbach ..... D11/3  
 8,245,418 B2 8/2012 Paintin  
 D667,749 S \* 9/2012 Case ..... D11/3  
 D677,842 S \* 3/2013 Kalbach ..... D30/153  
 D679,218 S \* 4/2013 Kalbach ..... D11/200  
 8,413,412 B2 4/2013 Ford  
 D695,976 S \* 12/2013 Allen, Jr. .... D30/153  
 D699,144 S \* 2/2014 Kalbach ..... D11/3  
 D711,602 S \* 8/2014 Driver ..... D30/199  
 8,931,244 B2 1/2015 Gola  
 D743,691 S \* 11/2015 Romano ..... D3/215  
 D765,413 S \* 9/2016 Derr ..... D3/327  
 D770,170 S \* 11/2016 Akana ..... D3/218  
 9,538,738 B2 1/2017 Bergeleen  
 9,704,368 B2 \* 7/2017 Dehart ..... G08B 3/10  
 D793,075 S \* 8/2017 Ma ..... D3/207  
 D796,124 S \* 8/2017 Ying ..... D30/153  
 D851,920 S \* 6/2019 Mouriz ..... D3/217  
 10,306,972 B2 \* 6/2019 Mendez ..... A45F 5/00  
 10,330,173 B1 \* 6/2019 McKye ..... F16F 15/03  
 D854,916 S \* 7/2019 Derr ..... D8/356  
 D880,148 S \* 4/2020 Akana ..... D3/218  
 2007/0084020 A1 \* 4/2007 Chiu ..... G09F 21/02  
 24/3.4  
 2007/0121987 A1 \* 5/2007 Fielding, Jr. .... H04R 1/1033  
 381/385  
 2008/0264005 A1 10/2008 Ford  
 2009/0120980 A1 \* 5/2009 Calayo ..... A45F 5/02  
 224/257  
 2013/0008139 A1 1/2013 Lander  
 2013/0014960 A1 1/2013 Palmer et al.  
 2013/0019575 A1 1/2013 Bartlett  
 2013/0105180 A1 5/2013 Valer Fuentes  
 2013/0112437 A1 5/2013 Sledd et al.  
 2014/0166006 A1 6/2014 Meier  
 2014/0231100 A1 8/2014 Ford  
 2014/0251642 A1 9/2014 Revheim

(56)

**References Cited**

U.S. PATENT DOCUMENTS

2014/0331944 A1\* 11/2014 Chirico ..... A01K 15/02  
119/797  
2014/0367124 A1 12/2014 Moller et al.  
2014/0374124 A1 12/2014 Mahidhara  
2015/0060089 A1 3/2015 Kunkle  
2015/0152942 A1\* 6/2015 Kindstrand ..... D07B 1/18  
24/122.3  
2015/0238344 A1 8/2015 Nylund  
2015/0366181 A1 12/2015 Koenig et al.  
2016/0029609 A1 2/2016 MacDonald  
2016/0324136 A1 11/2016 Silanus

FOREIGN PATENT DOCUMENTS

BR 8307232 A 8/1985  
CA 2824535 A1 7/2012  
CN 102811609 A 12/2012  
CN 103385228 A 11/2013  
CN 204206956 U 3/2015  
CN 204206957 U 3/2015  
DE 155659 C 7/1902  
EP 2409565 A1 1/2012  
ES 1072993 U 10/2010  
GB 2128867 A 5/1984  
GB 2338394 A 12/1999

GB 2492266 B 5/2014  
GB 2517176 A 2/2015  
IE S86373 B2 4/2014  
IN 2317DEN2015 A 8/2015  
WO 2008025065 A1 3/2008  
WO 2014046634 A1 3/2014  
WO 2014166006 A1 10/2014  
WO 2014176705 A1 11/2014  
WO 2015026253 A1 2/2015  
WO 2015069307 A1 5/2015  
WO 2015157817 A1 10/2015  
WO 2015186036 A1 10/2015  
WO 2015172211 A1 11/2015  
WO 20180218307 A1 12/2018

OTHER PUBLICATIONS

Written Opinion of the International Searching Authority dated Sep. 15, 2015 for corresponding International Patent Application PCT/AU2013/000249, filed Mar. 13, 2014.  
Partial European Search Report dated Oct. 13, 2016 for corresponding European Application No. 14765745.  
Espacenet search results on Apr. 20, 2016 10:55—Shoe of hoof or hooves or feet or hose or equine or retain or secure or lock or bulb in the title or abstract AND A01L1/low or A0L13/low as the IPC classification.

\* cited by examiner

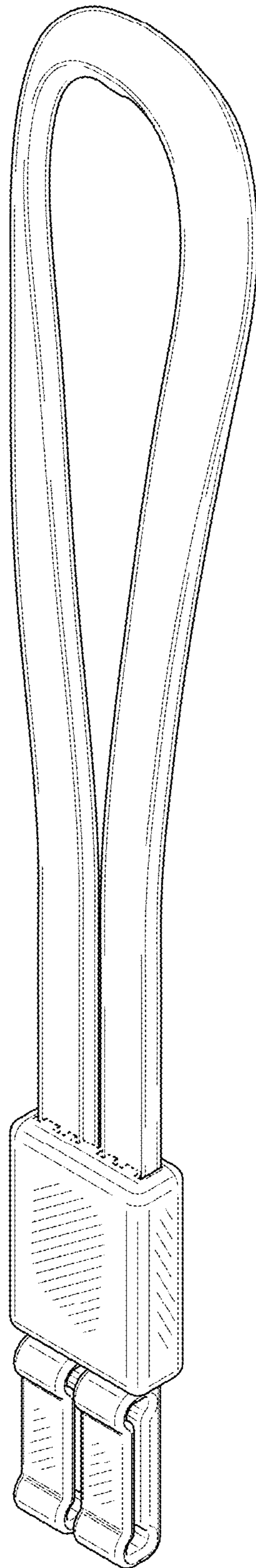


FIG. 1

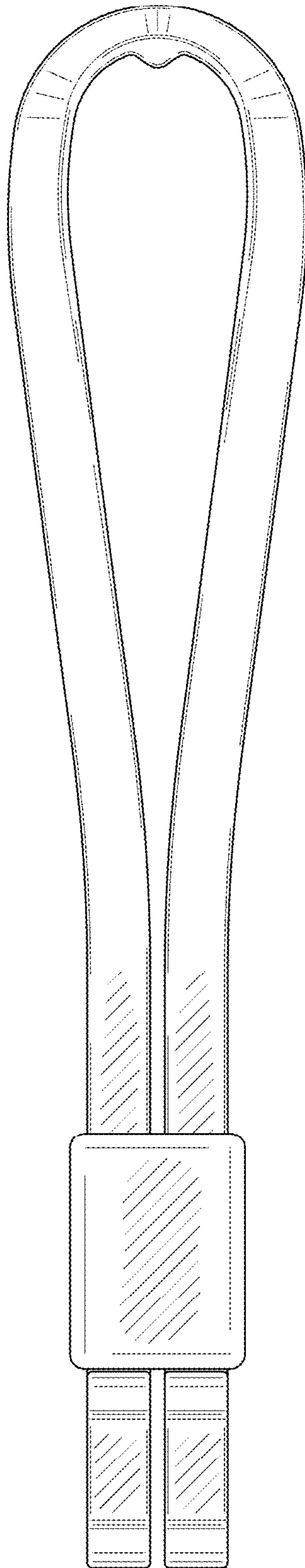


FIG. 2

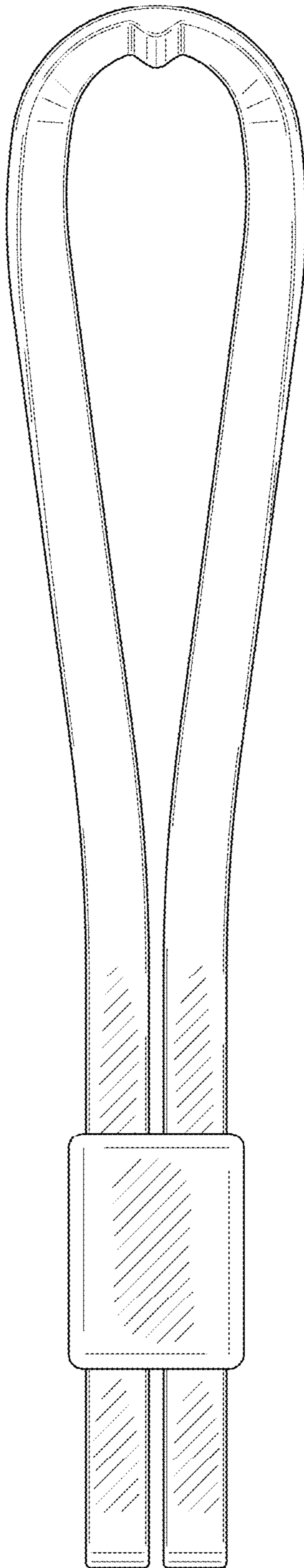


FIG. 3

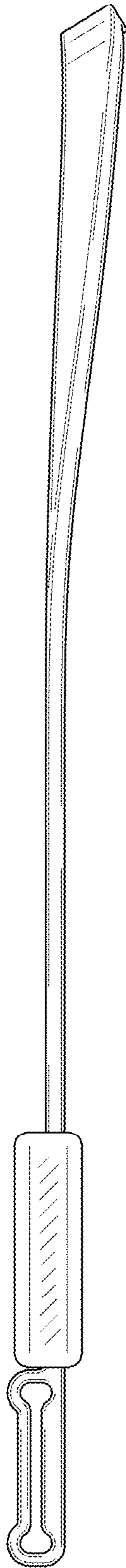


FIG. 4

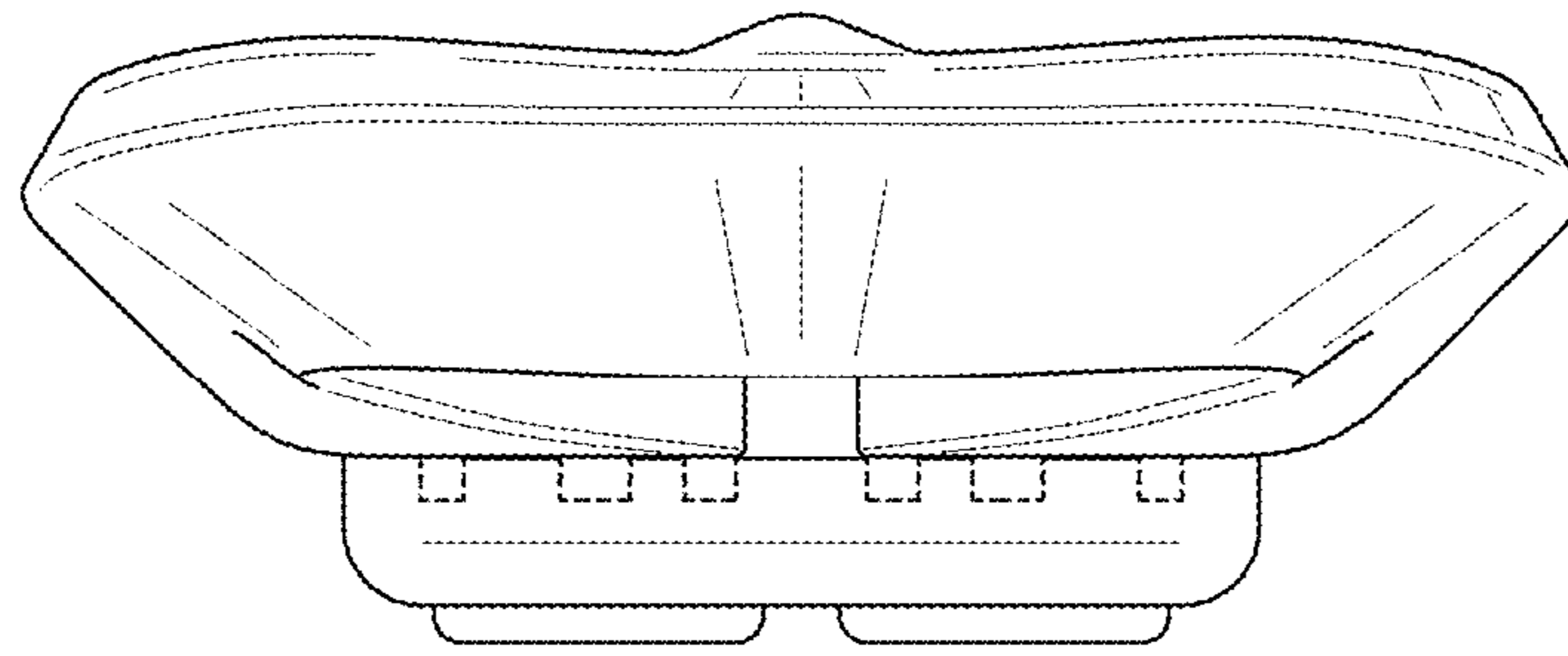


FIG. 5



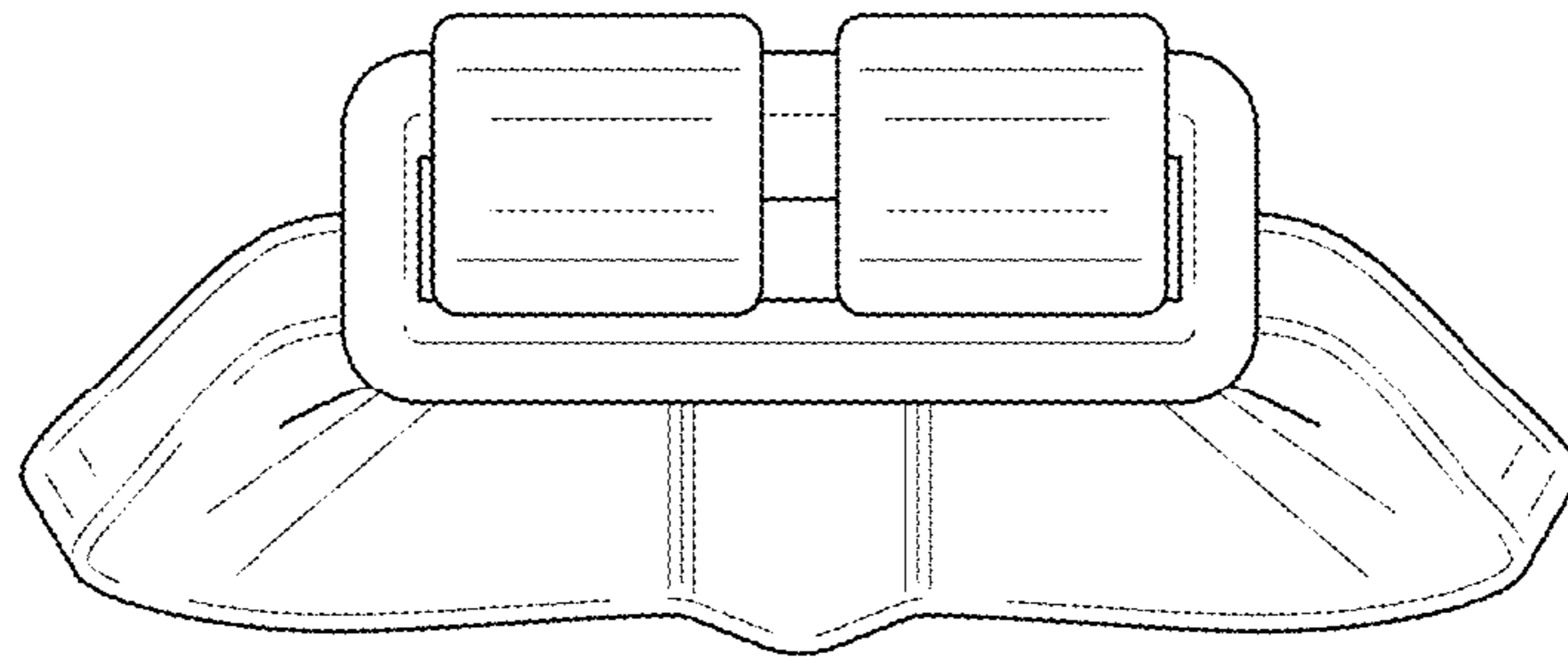


FIG. 6