



US00D899702S

(12) **United States Design Patent** (10) **Patent No.:** **US D899,702 S**  
**Thorn** (45) **Date of Patent:** **\*\* Oct. 20, 2020**

(54) **BIRD FEEDER**

(71) Applicant: **Oakthrift Corporation Ltd,**  
Borehamwood (GB)

(72) Inventor: **James John Thorn,** Borehamwood  
(GB)

(\*\*) Term: **15 Years**

(21) Appl. No.: **29/693,707**

(22) Filed: **Jun. 4, 2019**

(51) **LOC (12) Cl.** ..... **30-03**

(52) **U.S. Cl.**  
USPC ..... **D30/124**

(58) **Field of Classification Search**  
USPC ..... D30/121, 124, 126-129, 133, 199,  
D30/110-112, 123, 125; 119/52.2, 51.5,  
119/61.5, 57.8, 57.9, 52.3, 61.1, 531, 63,  
119/428-435, 52.4, 55, 61.3, 69.5, 75, 76;  
47/67, 83; 248/318; D11/164, 152;  
211/128.1; D27/123; D6/495, 460, 461,  
D6/476, 405  
CPC .. A01K 39/014; A01K 39/04; A01K 39/0206;  
A01K 39/00; A01K 39/01; A01K  
39/0113; A01K 39/012; A01K 39/06;  
A01K 5/0225; A01K 5/00; A01K 31/14;  
A47H 27/00; A47G 7/044; A47G 7/045;  
A47G 7/047; E06B 7/28; G09F 7/18;  
G09F 17/00; F16M 13/02; F16M 13/022  
See application file for complete search history.

(56) **References Cited**

U.S. PATENT DOCUMENTS

2,230,058 A \* 1/1941 Hornung ..... A01K 39/0113  
119/52.3

D134,814 S \* 1/1943 Hoskins ..... D30/110

2,504,282 A \* 4/1950 Tobias ..... A01K 39/0106  
119/51.03

3,022,768 A \* 2/1962 Lynch ..... A01K 39/012  
119/52.3

3,314,397 A \* 4/1967 Jacobsen ..... A01K 1/0356  
119/464

3,316,883 A \* 5/1967 Johnson ..... A01K 39/014  
119/57.9

D243,465 S \* 2/1977 Greene ..... D30/124

4,167,917 A \* 9/1979 Noll ..... A01K 39/014  
119/429

D277,704 S \* 2/1985 Dehls ..... D30/124

D278,169 S \* 3/1985 Cargile, Jr. .... D30/124

4,541,362 A \* 9/1985 Dehls ..... A01K 39/0113  
119/57.9

D349,784 S \* 8/1994 Burns ..... D30/110

D358,907 S \* 5/1995 Spivey ..... D30/110

D370,311 S \* 5/1996 Logan, Jr. .... D30/110

D448,298 S \* 9/2001 Simkins ..... D9/455

D487,660 S \* 3/2004 Sayers ..... D6/513

D524,490 S \* 7/2006 Obenshain ..... D30/127

(Continued)

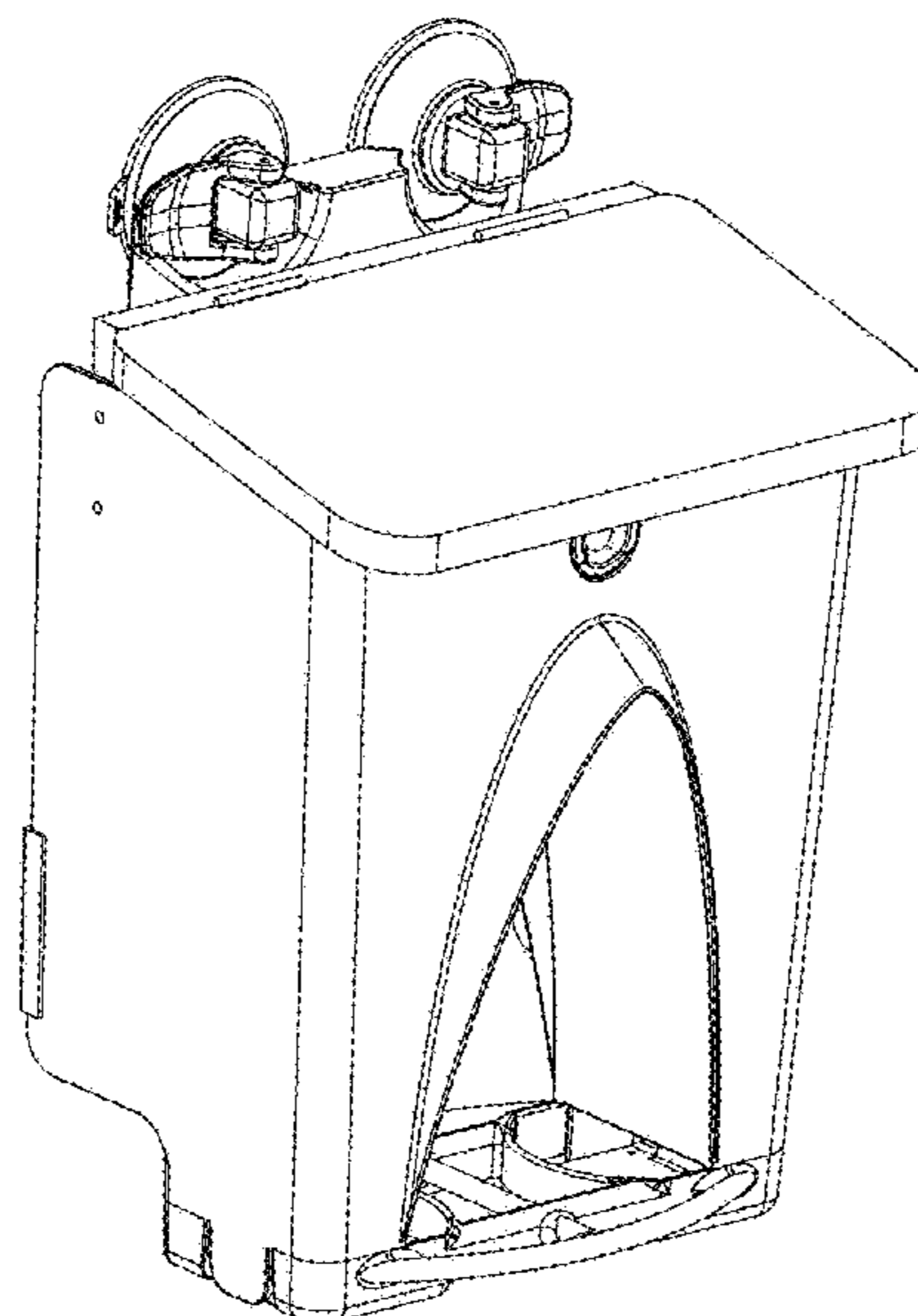
*Primary Examiner* — Susan Moon Lee  
(74) *Attorney, Agent, or Firm* — Donn K Harms

(57) **CLAIM**  
An ornamental design for a bird feeder, as shown and described.

**DESCRIPTION**

FIG. 1 is a front-right perspective view of a bird feeder showing my new design;  
FIG. 2 is a front-left perspective view thereof;  
FIG. 3 is a bottom view thereof;  
FIG. 4 is a top view thereof;  
FIG. 5 is a front elevational view thereof;  
FIG. 6 is a rear elevational view thereof;  
FIG. 7 is a left side view thereof, the right side view being a mirror image;  
FIG. 8 is a rear-right perspective view thereof;  
FIG. 9 is a rear overhead perspective view thereof; and,  
FIG. 10 is front lower perspective view thereof.

**1 Claim, 9 Drawing Sheets**



(56)

**References Cited**

U.S. PATENT DOCUMENTS

7,162,972 B2 \* 1/2007 Stachowiak ..... A01K 39/012  
119/52.2  
7,377,230 B2 \* 5/2008 Conley ..... A01K 31/14  
119/429  
D650,534 S \* 12/2011 Bormann ..... D30/110  
D738,726 S \* 9/2015 Peluso ..... D3/318  
D753,909 S \* 4/2016 Tulencik ..... D3/202  
D779,944 S \* 2/2017 Tulencik ..... D9/455  
D780,580 S \* 3/2017 Tulencik ..... D9/455  
D780,581 S \* 3/2017 Tulencik ..... D9/455  
D780,582 S \* 3/2017 Tulencik ..... D9/455  
D791,414 S \* 7/2017 Wilgus ..... D30/124  
2004/0250777 A1 \* 12/2004 Stachowiak ..... A01K 39/012  
119/52.2

\* cited by examiner

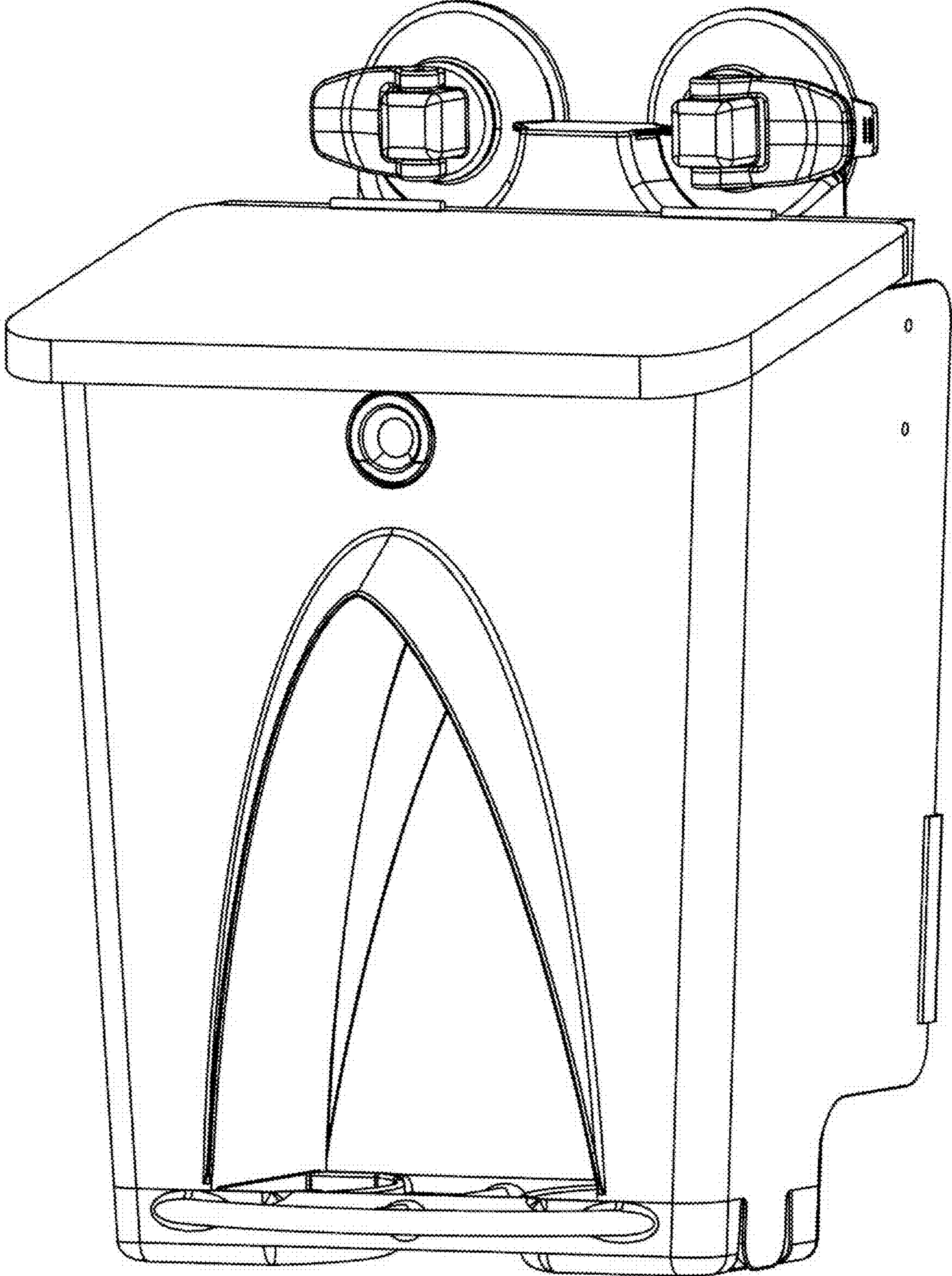


FIG. 1

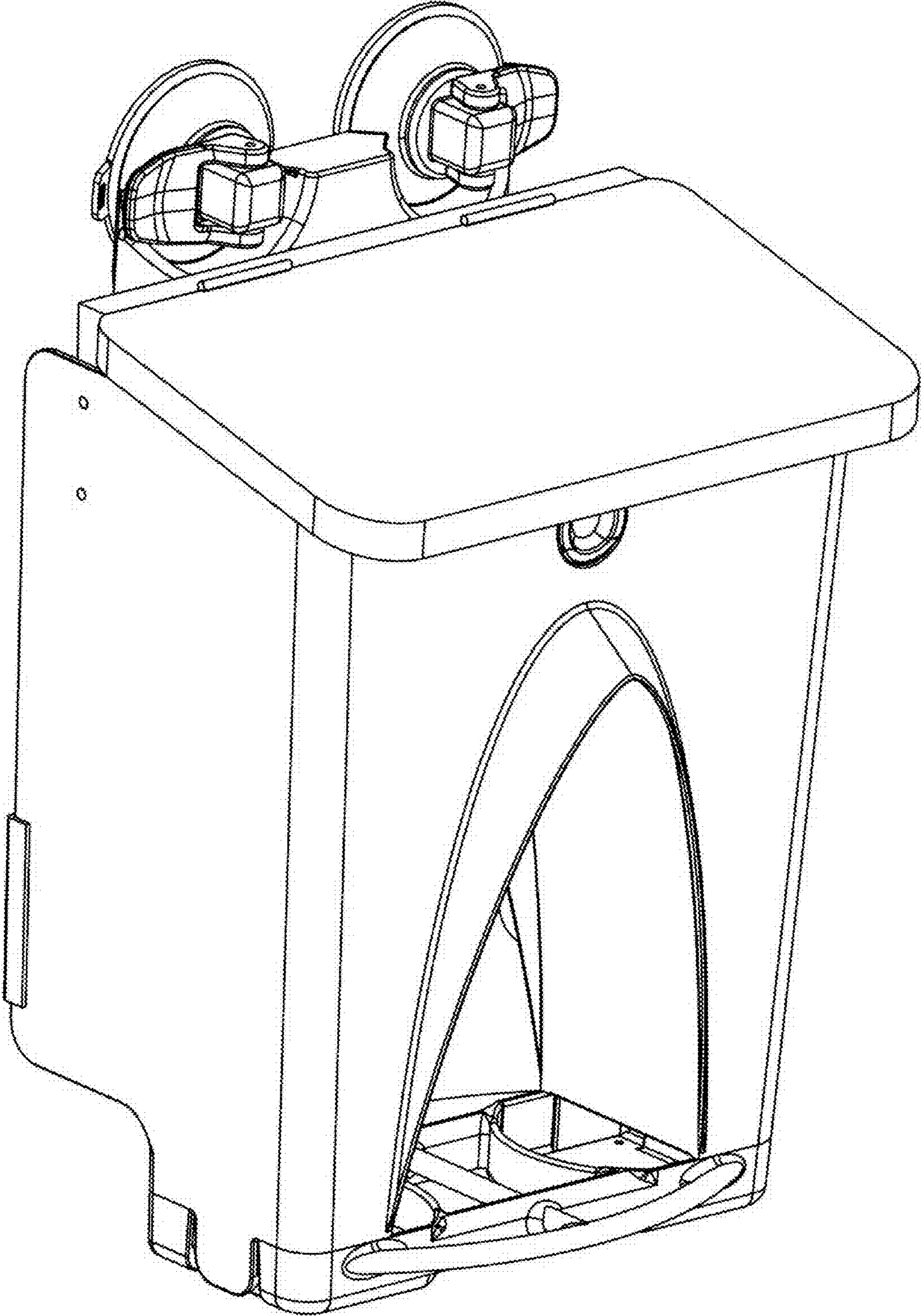


FIG. 2

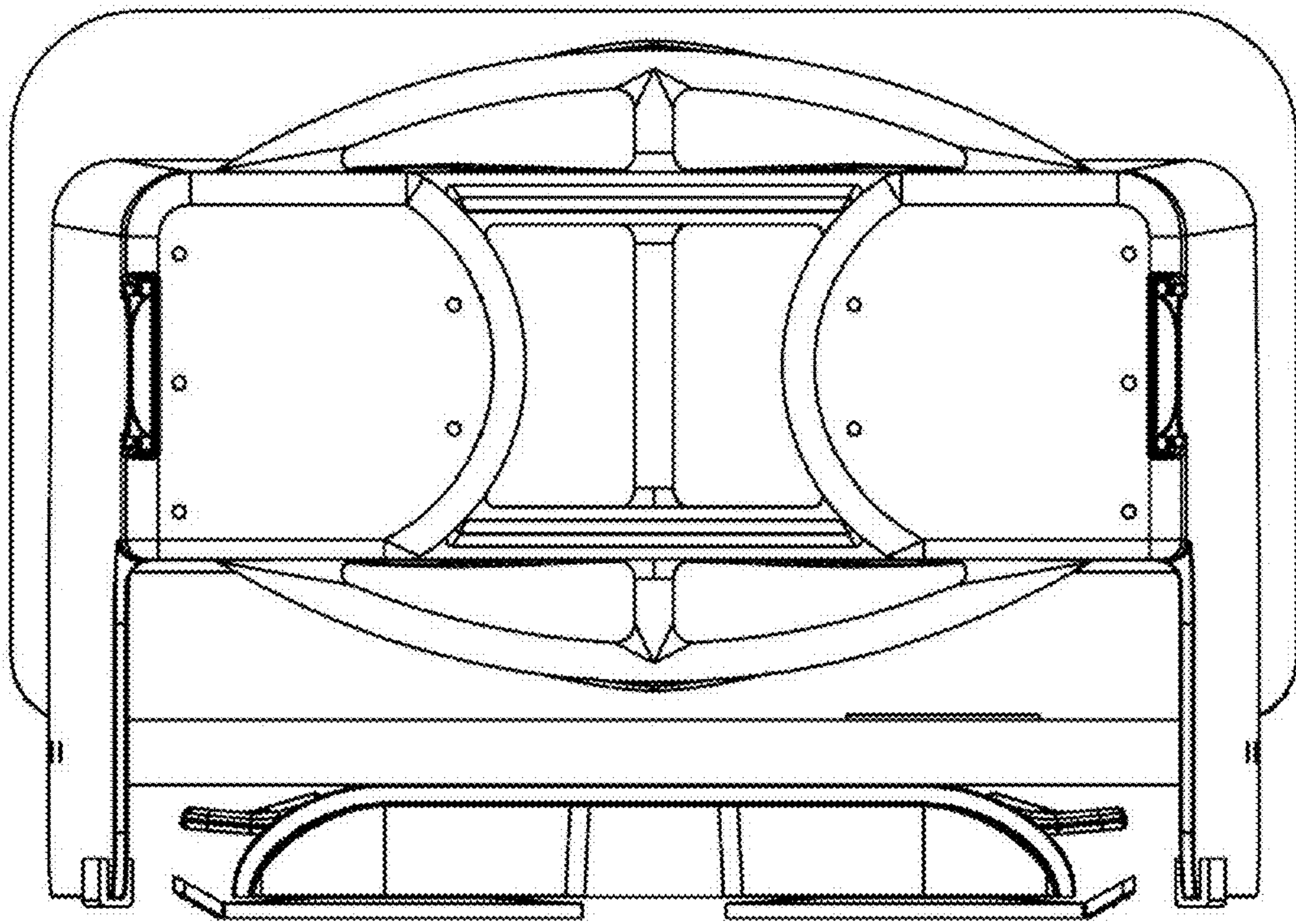


FIG. 3

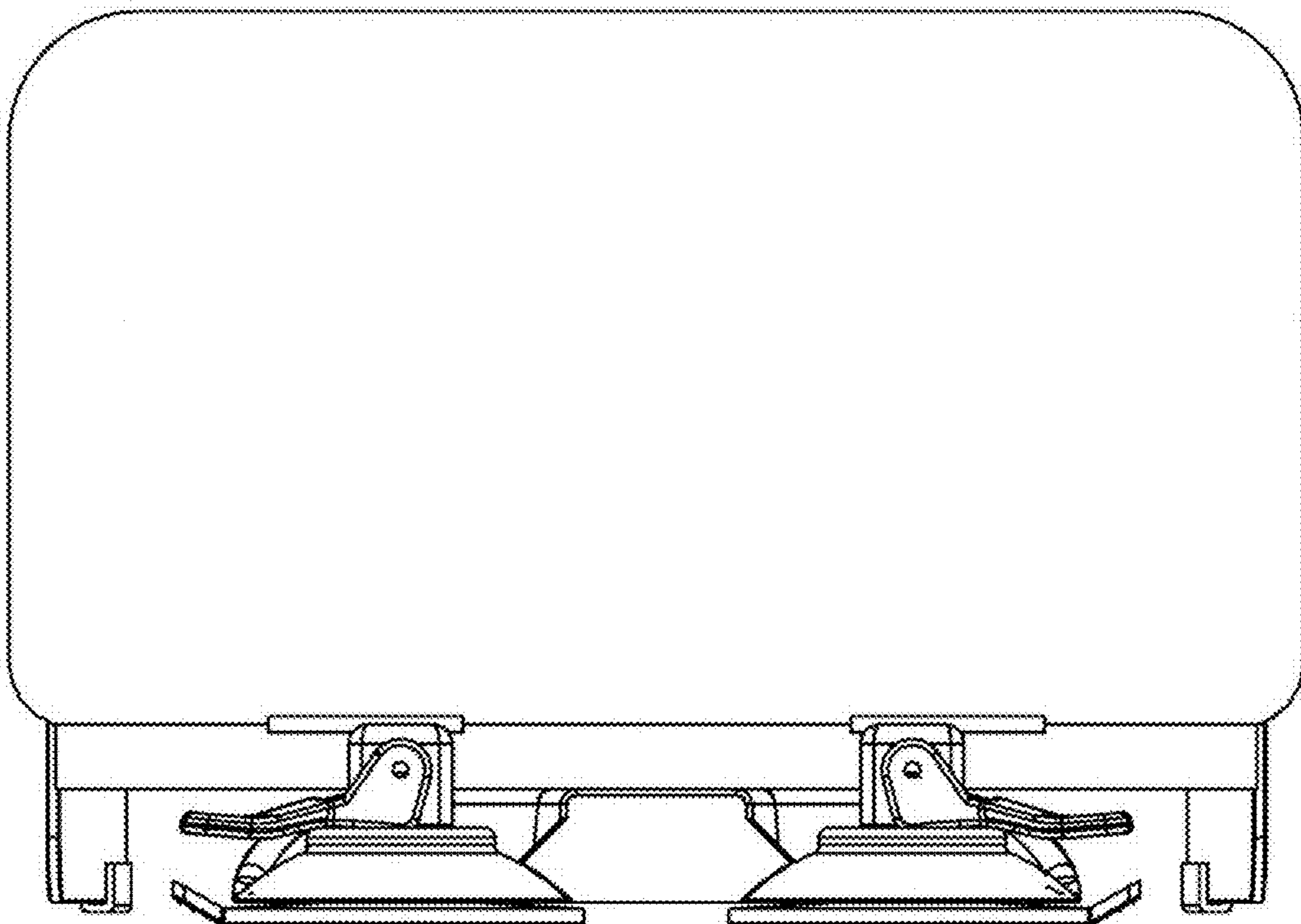


FIG. 4

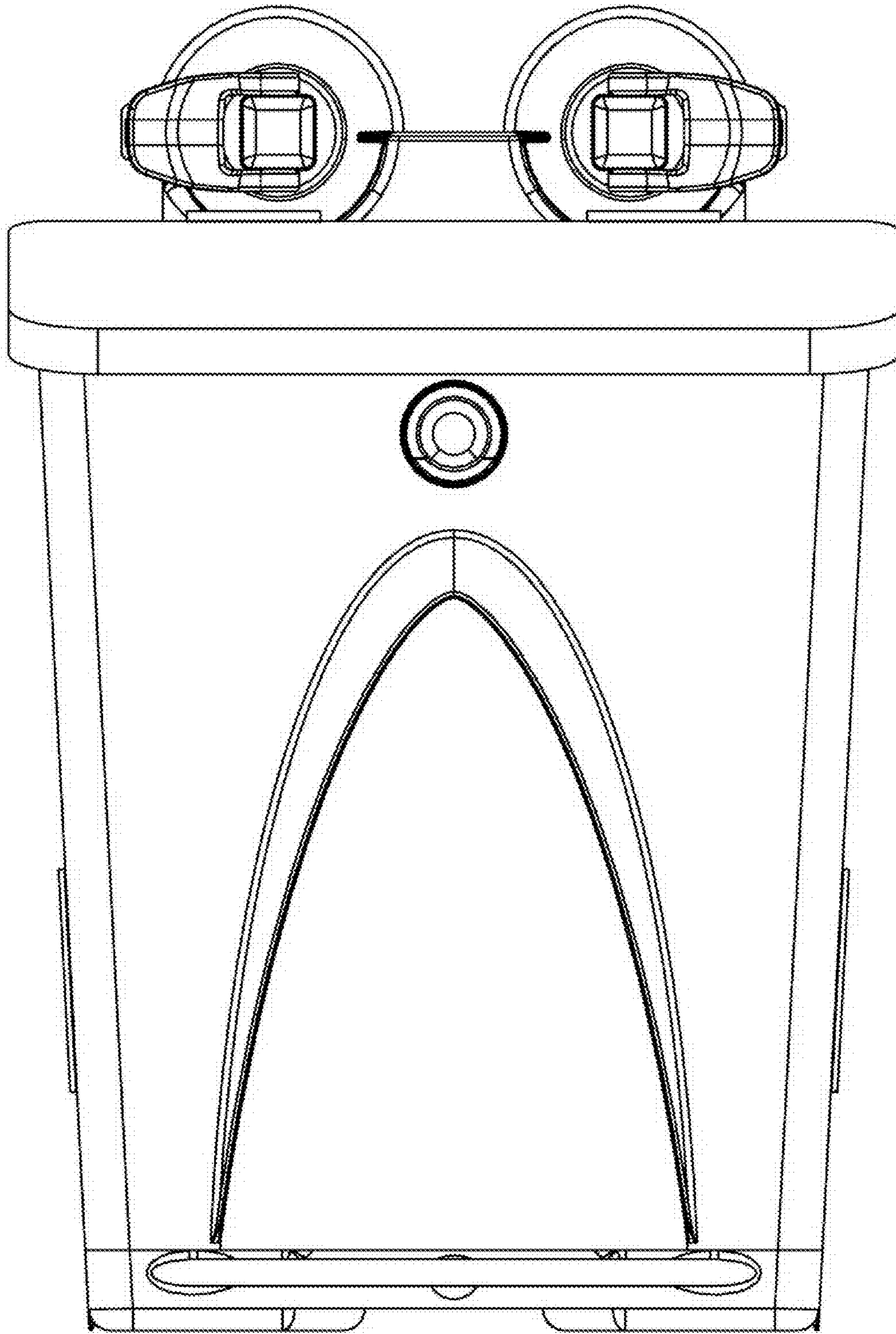


FIG. 5

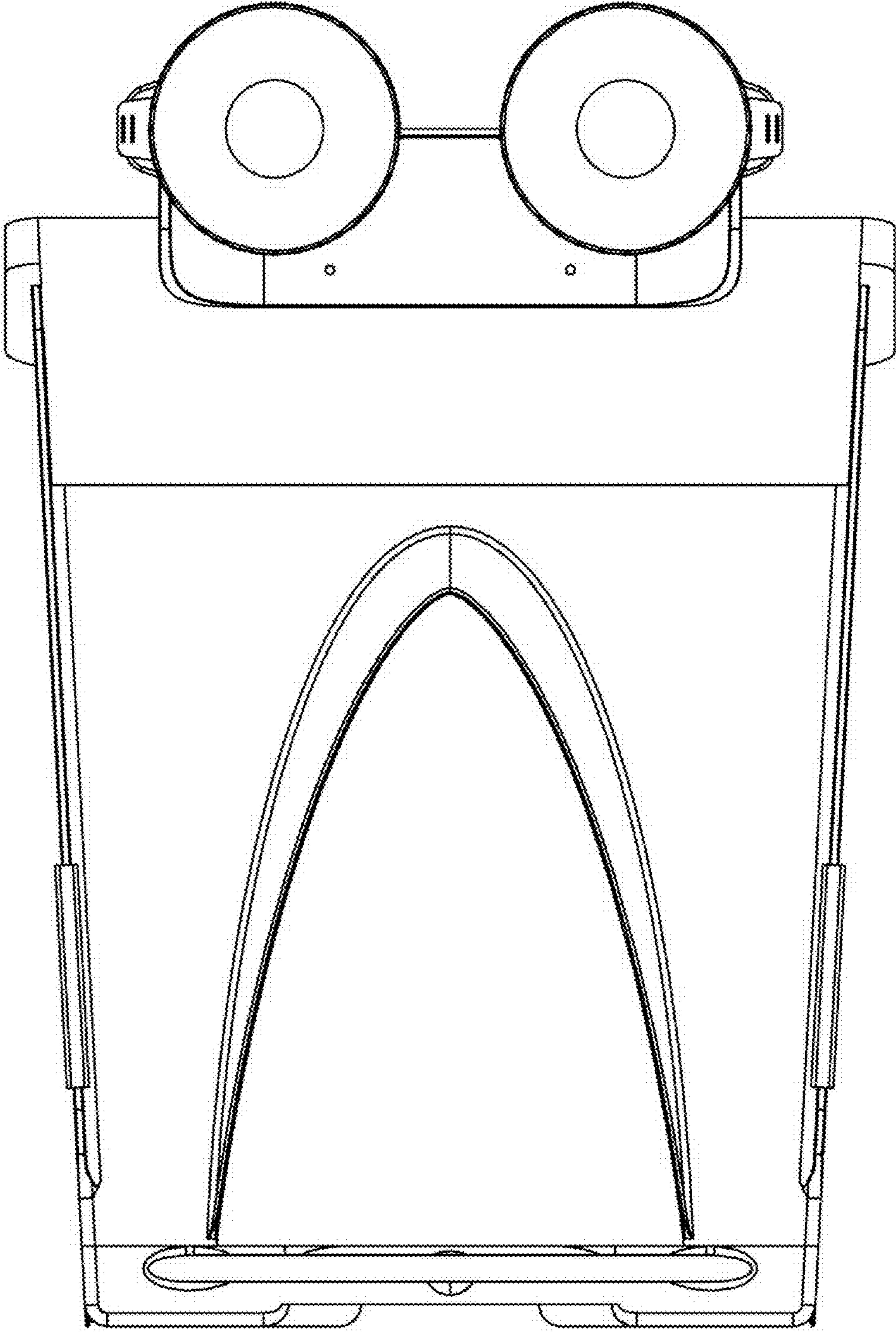


FIG. 6

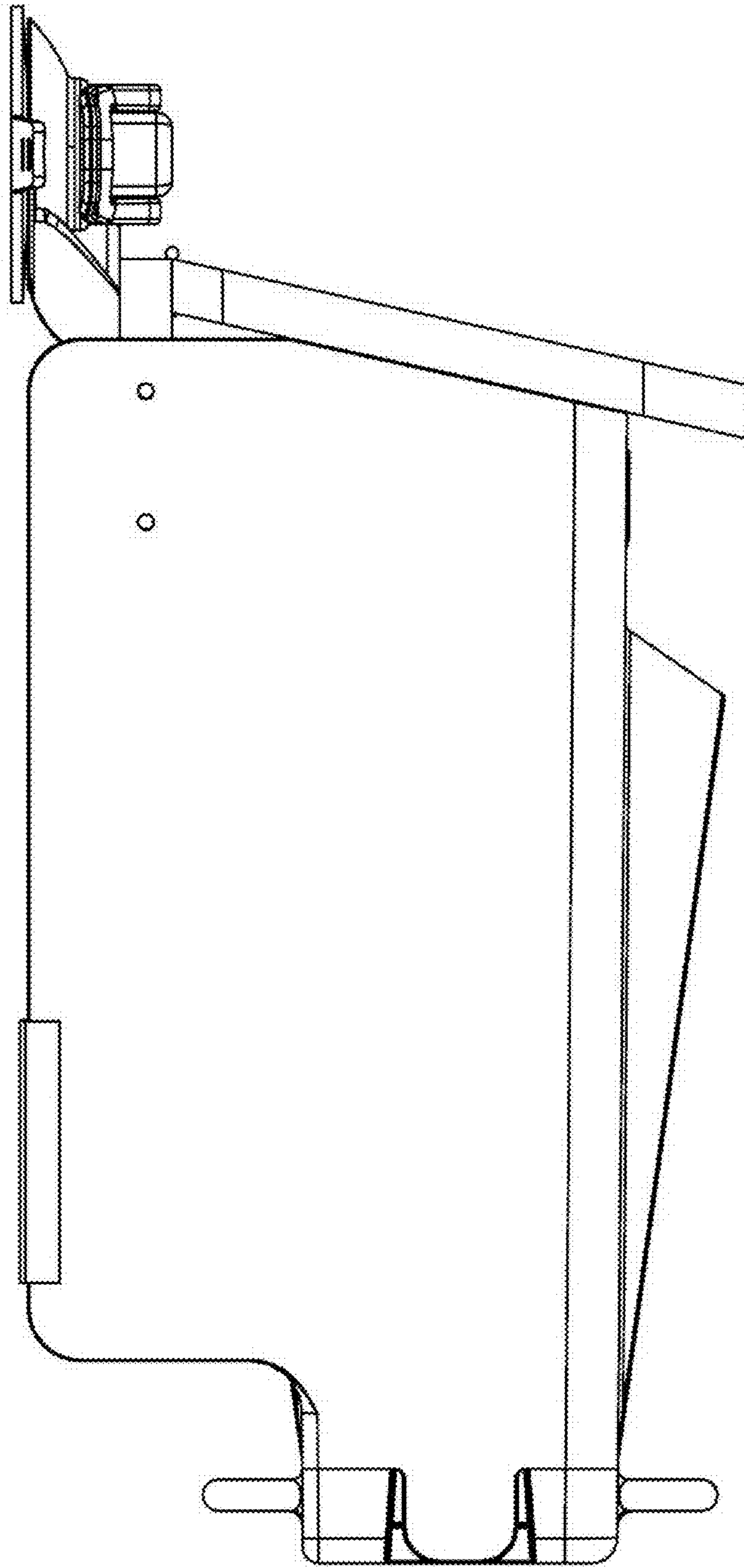


FIG. 7



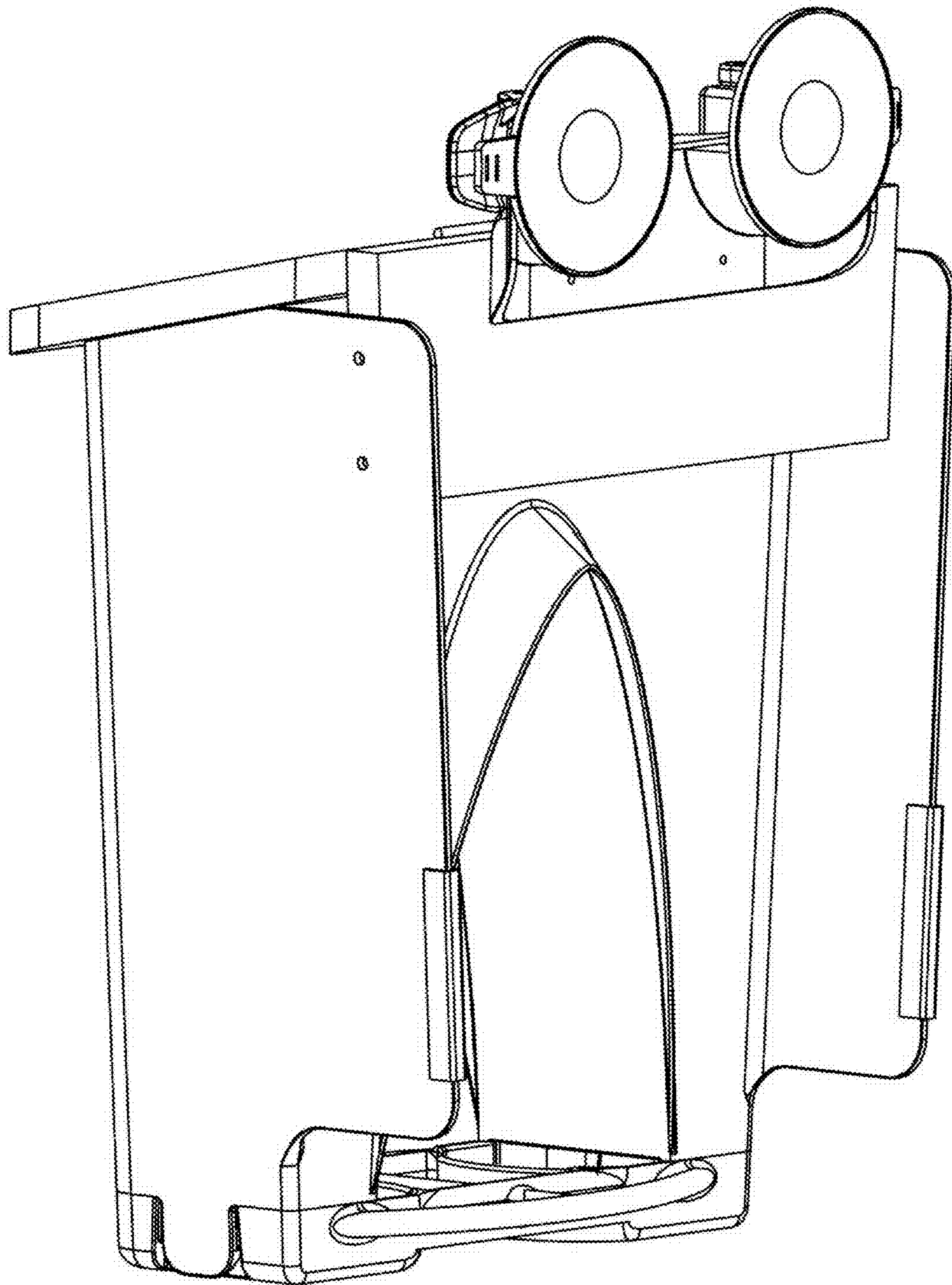


FIG. 8

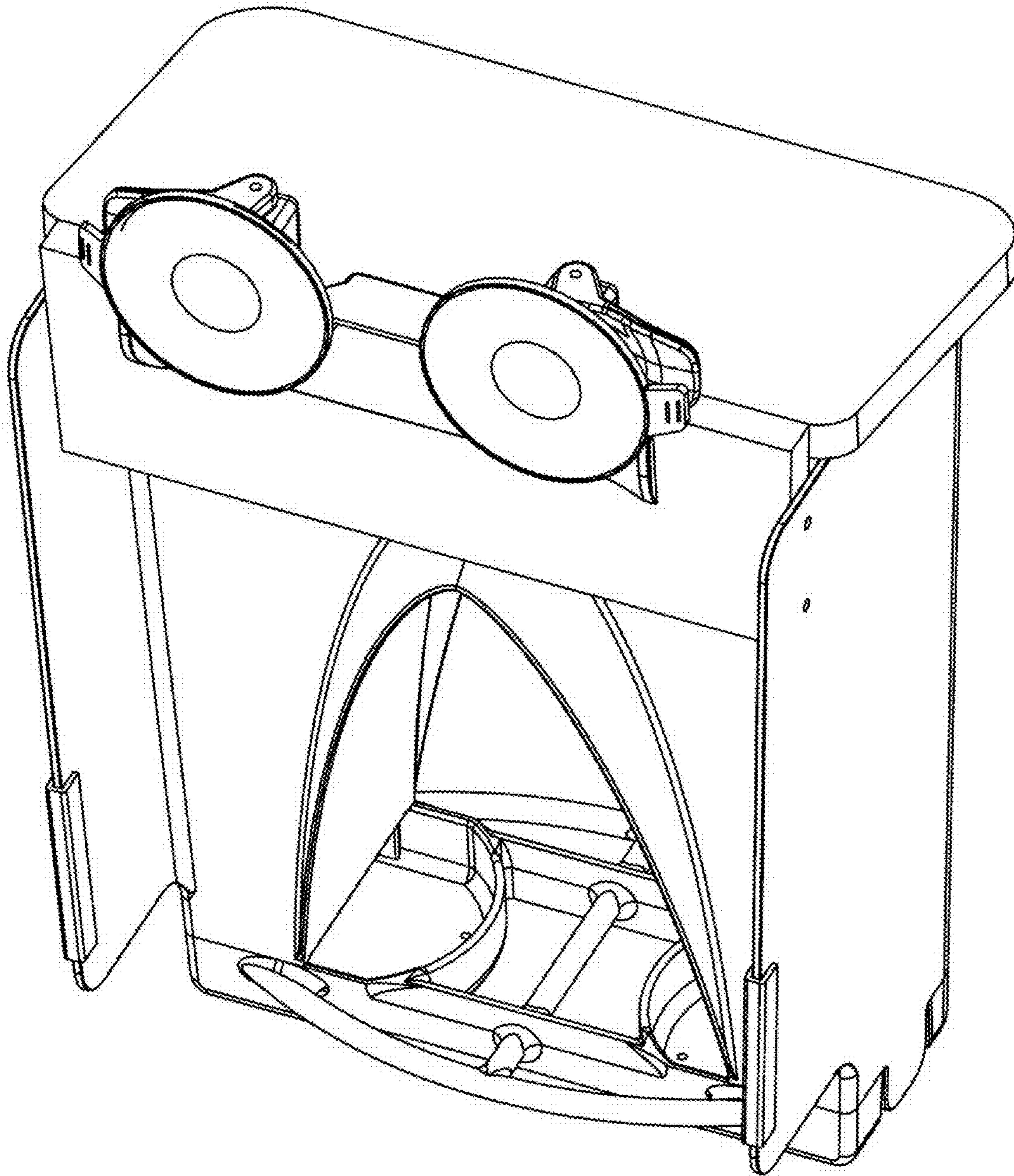


FIG. 9

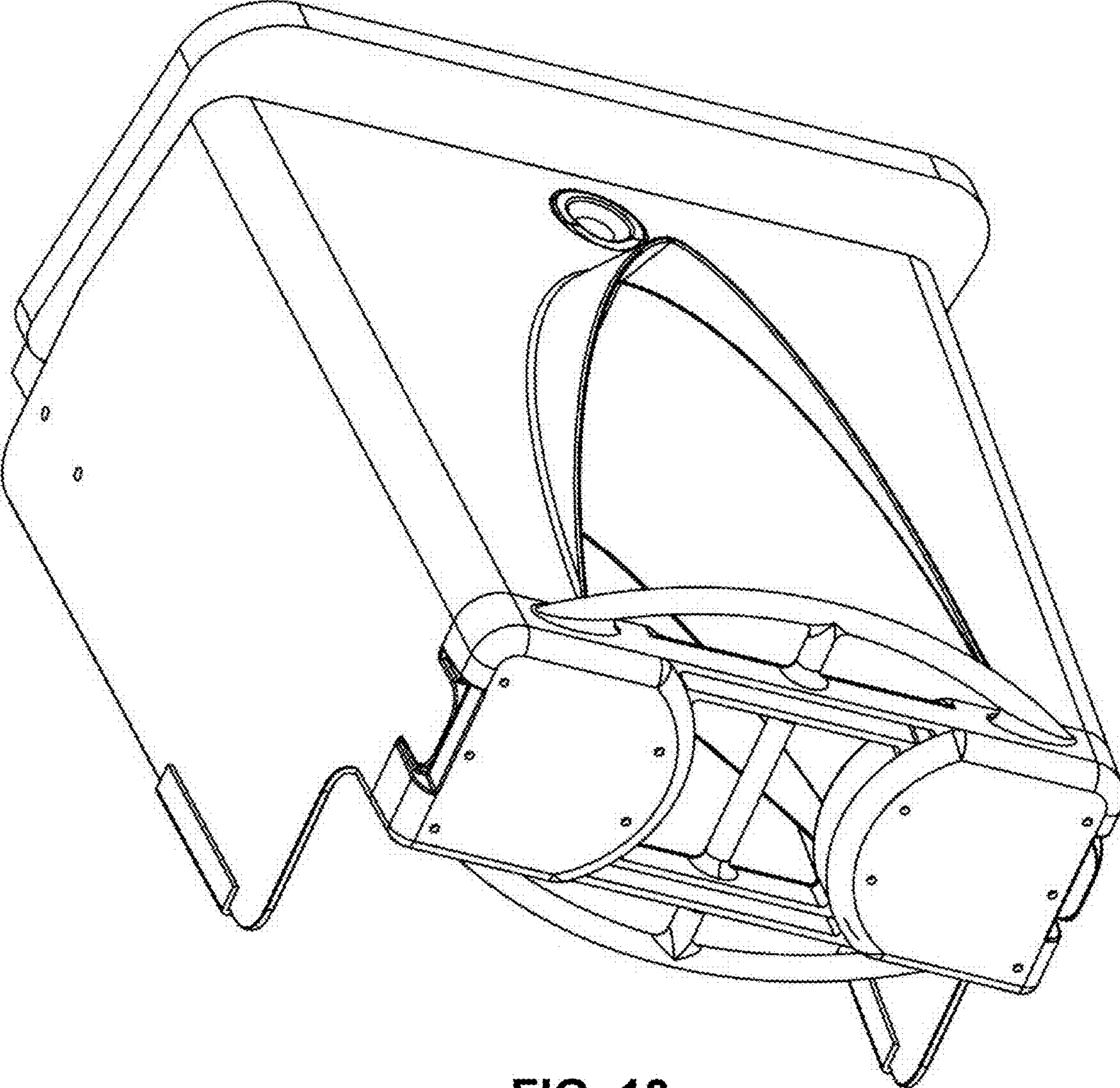


FIG. 10