



US00D899700S

(12) **United States Design Patent**  
**Whitehead**

(10) **Patent No.:** **US D899,700 S**

(45) **Date of Patent:** **\*\* Oct. 20, 2020**

(54) **FACE SHIELD**

(71) Applicant: **MEDSPEC LLC**, Bellevue, WA (US)

(72) Inventor: **Scott Whitehead**, Bellevue, WA (US)

(73) Assignee: **MEDSPEC LLC**, Bellevue, WA (US)

(\*\*) Term: **15 Years**

(21) Appl. No.: **29/731,638**

(22) Filed: **Apr. 16, 2020**

(51) **LOC (12) Cl.** ..... **29-02**

(52) **U.S. Cl.**  
USPC ..... **D29/110**

(58) **Field of Classification Search**  
USPC ..... D29/109–110, 122, 104–105, 107;  
D24/110.2

CPC ..... A41D 13/1184; A42B 3/225  
See application file for complete search history.

2012/0291173 A1\* 11/2012 Gleason ..... A41D 13/1184  
2/10  
2013/0031693 A1\* 2/2013 Gleason ..... A42B 3/225  
2/9  
2014/0256865 A1\* 9/2014 Boulton ..... A42B 3/225  
524/406  
2015/0237931 A1\* 8/2015 Miller ..... A41D 13/1184  
2/9  
2015/0335093 A1\* 11/2015 Curci ..... A42B 3/225  
2/424

\* cited by examiner

*Primary Examiner* — Robert A Delehanty

(74) *Attorney, Agent, or Firm* — Foster Garvey PC

(57) **CLAIM**

I claim the ornamental design for a face shield, as shown and described.

**DESCRIPTION**

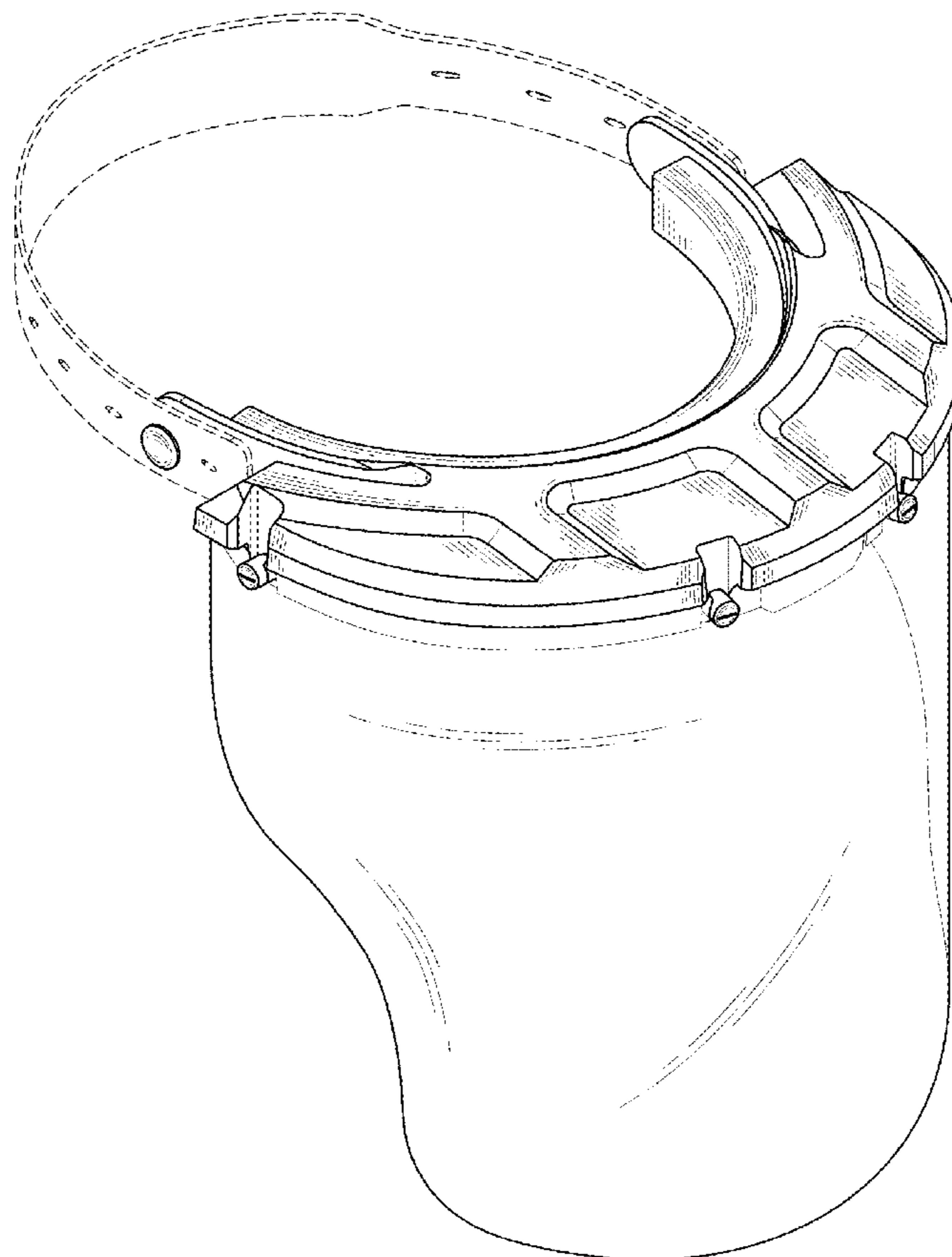
FIG. 1 is an isometric perspective view of a face shield;  
FIG. 2 is a front view of the face shield;  
FIG. 3 is a back view of the face shield;  
FIG. 4 is a right side view of the face shield;  
FIG. 5 is a left side view of the face shield;  
FIG. 6 is a top view of the face shield; and,  
FIG. 7 is a bottom view of the face shield.

**1 Claim, 7 Drawing Sheets**

(56) **References Cited**

**U.S. PATENT DOCUMENTS**

2,610,323 A \* 9/1952 Johnson ..... A61F 9/025  
2/8.1  
D254,638 S \* 4/1980 Bay, Jr. .... D29/109  
5,647,060 A \* 7/1997 Lee ..... A41D 13/11  
128/857  
D652,574 S \* 1/2012 Stoll ..... D29/108



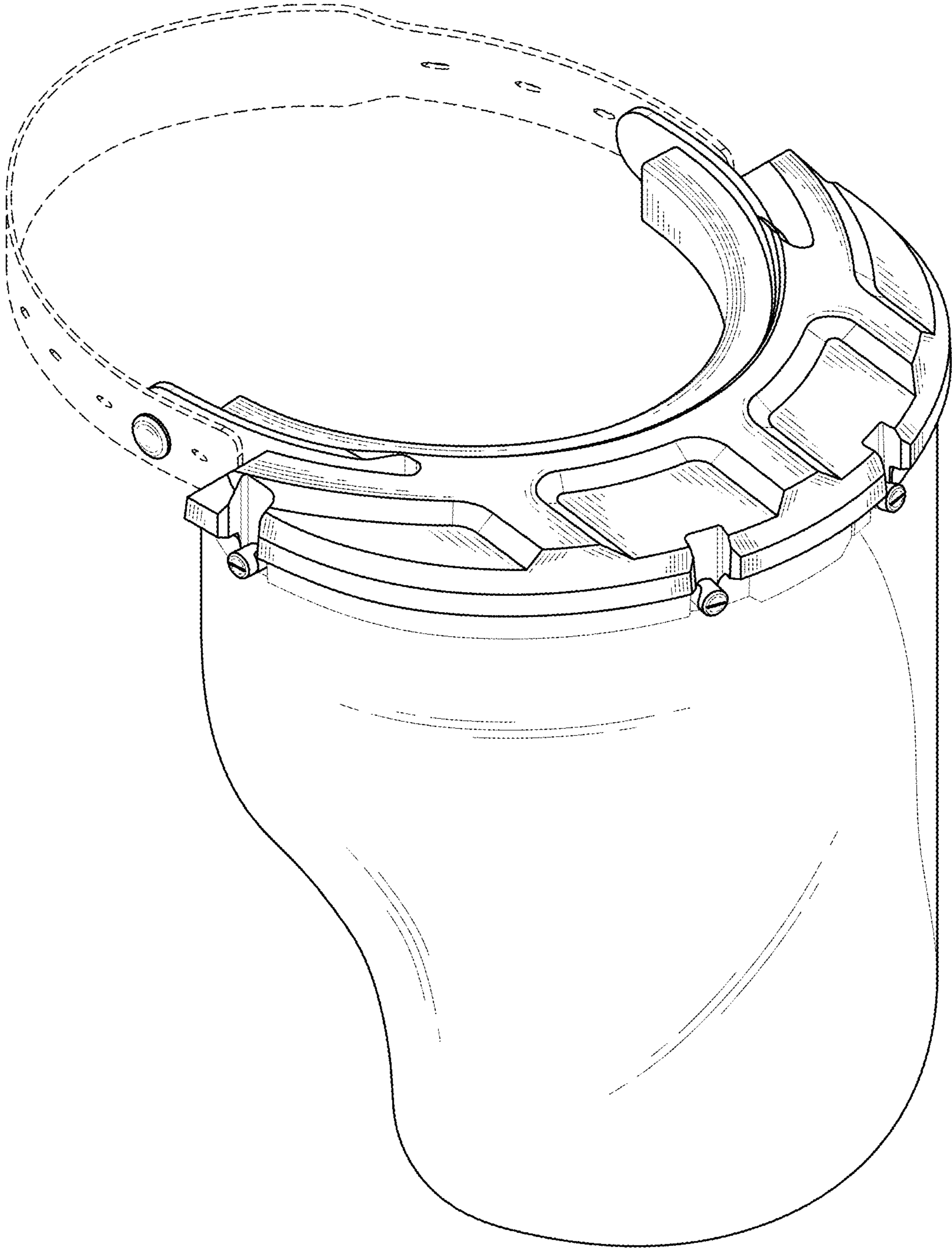


FIG. 1

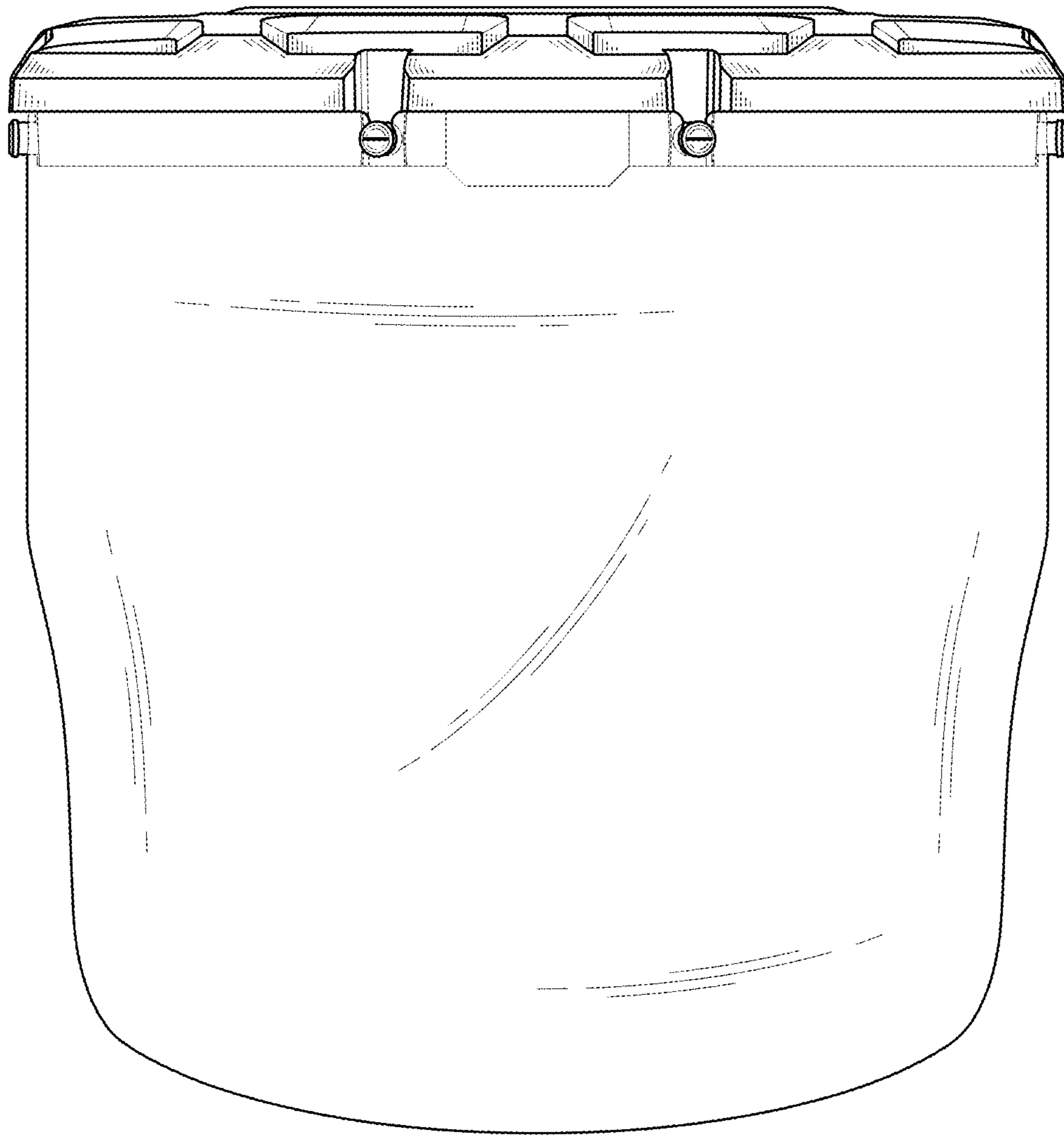


FIG. 2

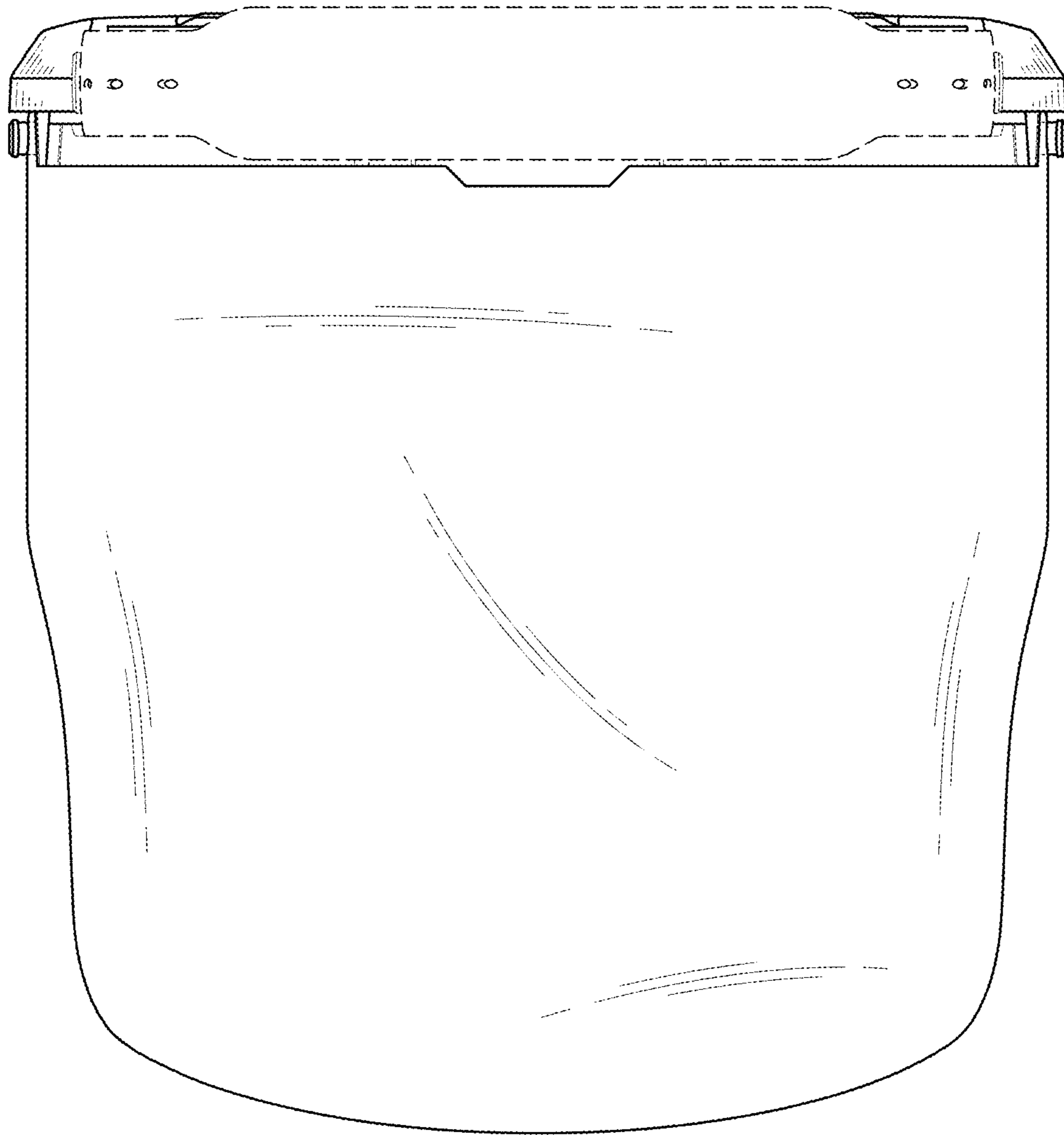


FIG. 3

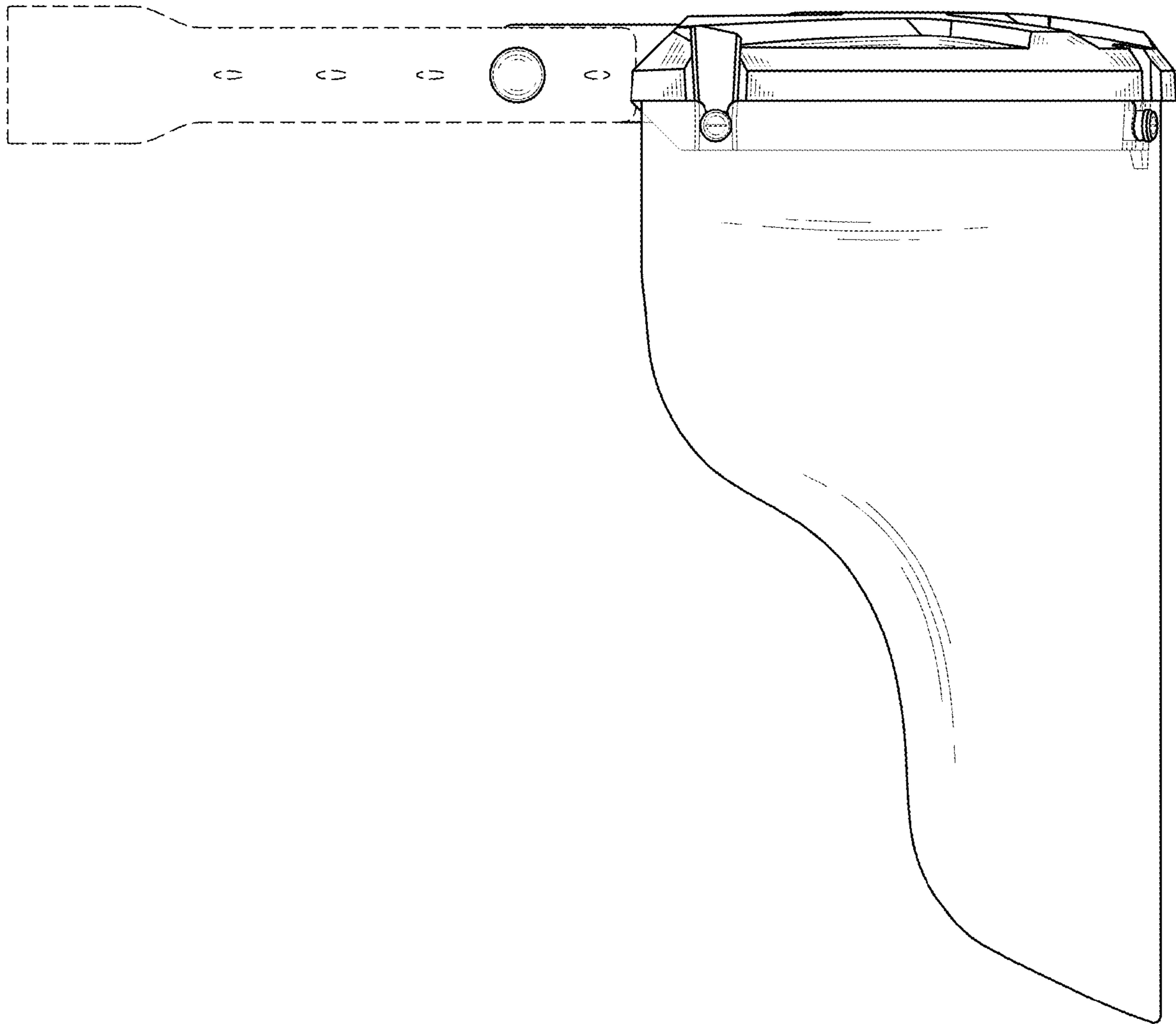


FIG. 4

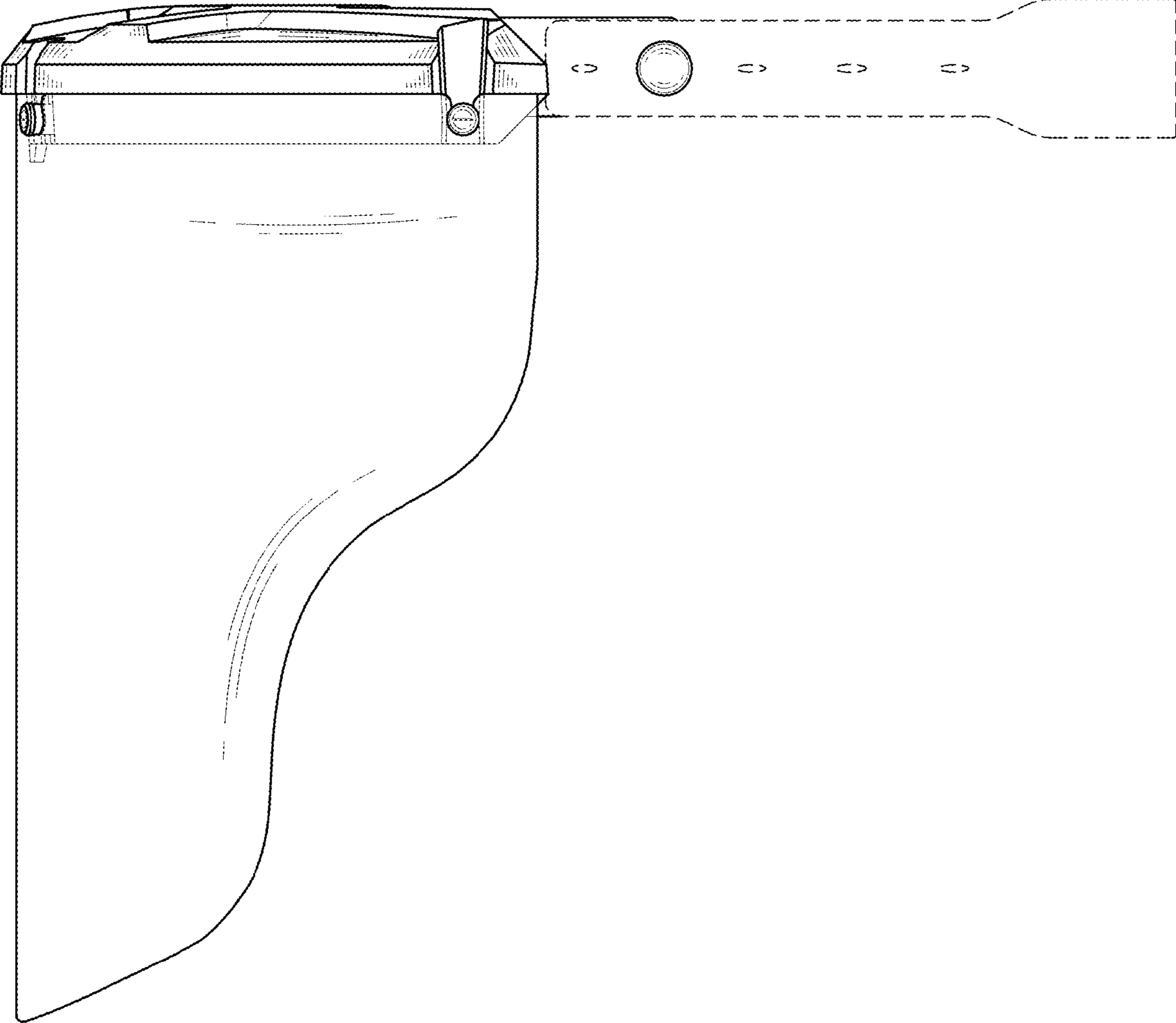


FIG. 5

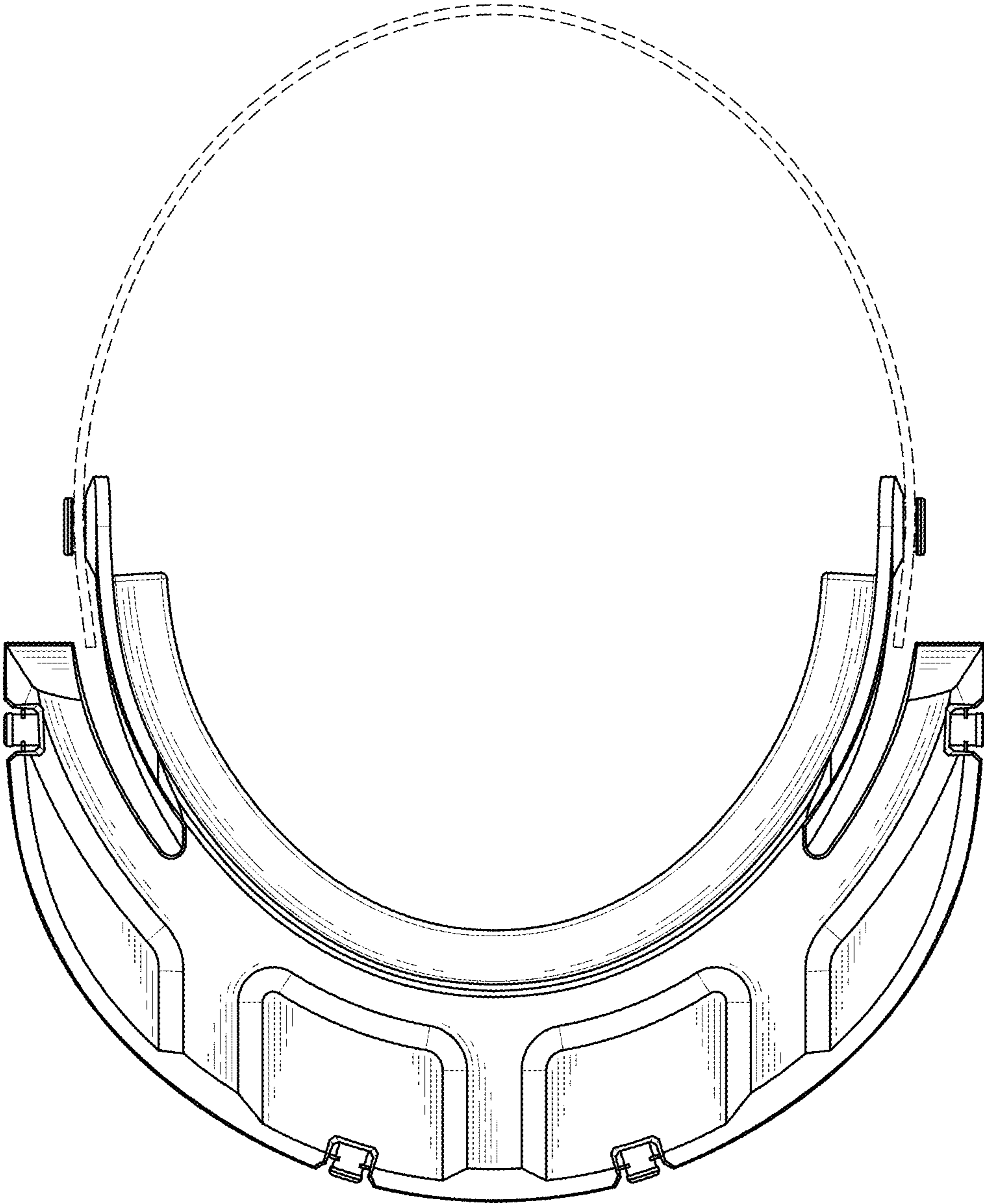


FIG. 6

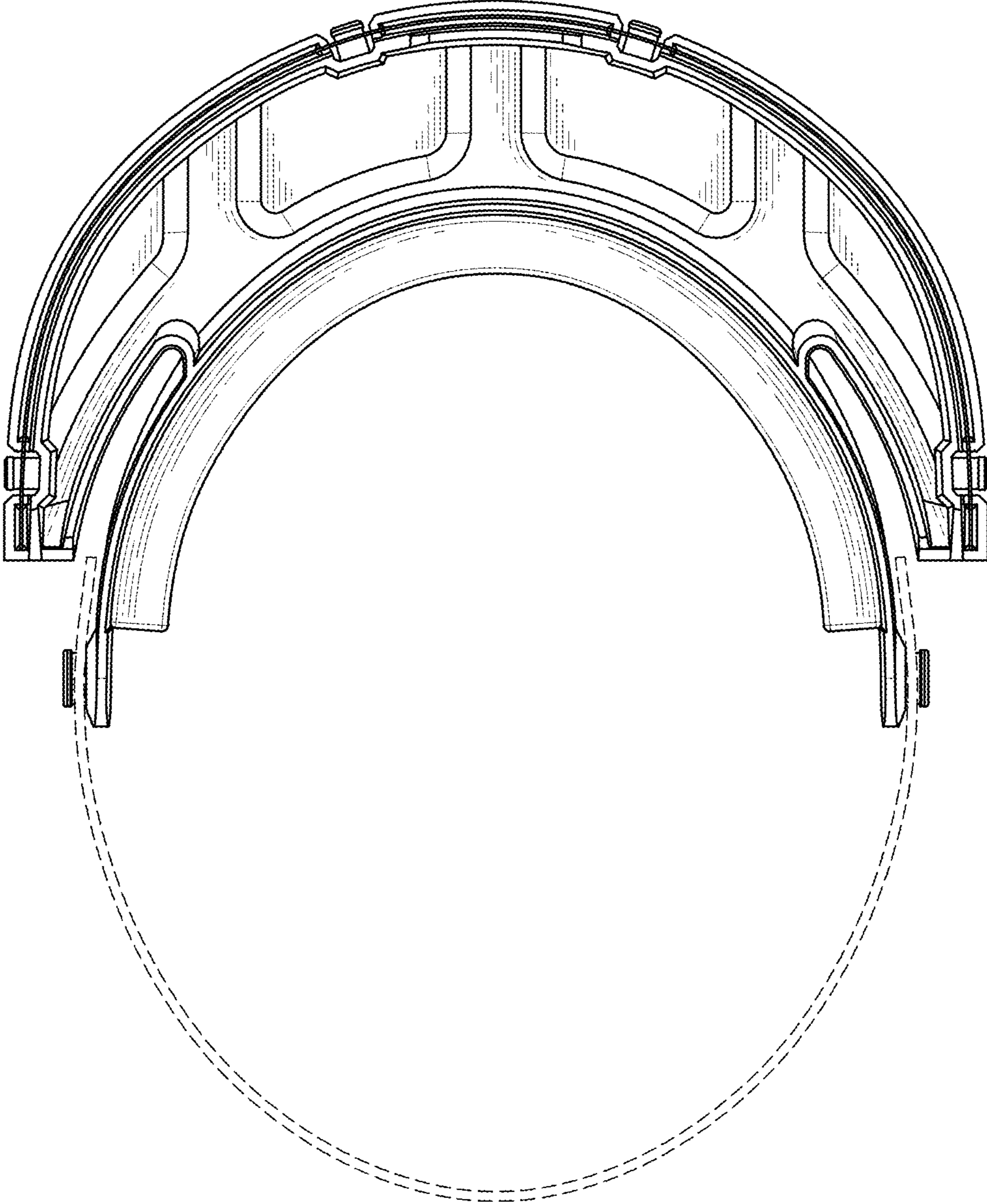


FIG. 7