



US00D899692S

(12) **United States Design Patent**
Ishida

(10) **Patent No.:** **US D899,692 S**
(45) **Date of Patent:** **** Oct. 20, 2020**

- (54) **COMBINED NAIL CLIPPER AND MAGNIFYING GLASS**
- (71) Applicant: **Green Bell Co., Ltd.**, Osaka (JP)
- (72) Inventor: **Itsuto Ishida**, Osaka (JP)
- (73) Assignee: **GREEN BELL CO., LTD.**, Osaka (JP)
- (**) Term: **15 Years**
- (21) Appl. No.: **29/669,434**
- (22) Filed: **Nov. 8, 2018**
- (30) **Foreign Application Priority Data**

May 23, 2018 (JP) 2018-012672

- (51) **LOC (12) Cl.** **28-03**
- (52) **U.S. Cl.**
USPC **D28/60**
- (58) **Field of Classification Search**
USPC D28/60; D16/135
CPC A45D 29/02-023; A45D 2029/026
See application file for complete search history.

(56) **References Cited**

U.S. PATENT DOCUMENTS

D307,758 S *	5/1990	Tsuji	D16/135
D625,884 S *	10/2010	Ashok	D28/60
D629,161 S *	12/2010	Farris	D28/60
D639,509 S *	6/2011	Farris	D28/60
D726,374 S *	4/2015	Kim	D28/60
D848,074 S *	5/2019	Kim	D28/60

OTHER PUBLICATIONS

Takuminowaza Japan High Class Clippers with Loupe, www.amazon.com, 1 page, reviewed as early as Apr. 2016 (Year: 2016).*

* cited by examiner

Primary Examiner — Jennifer Rivard
(74) *Attorney, Agent, or Firm* — Welsh Flaxman & Gitler LLC

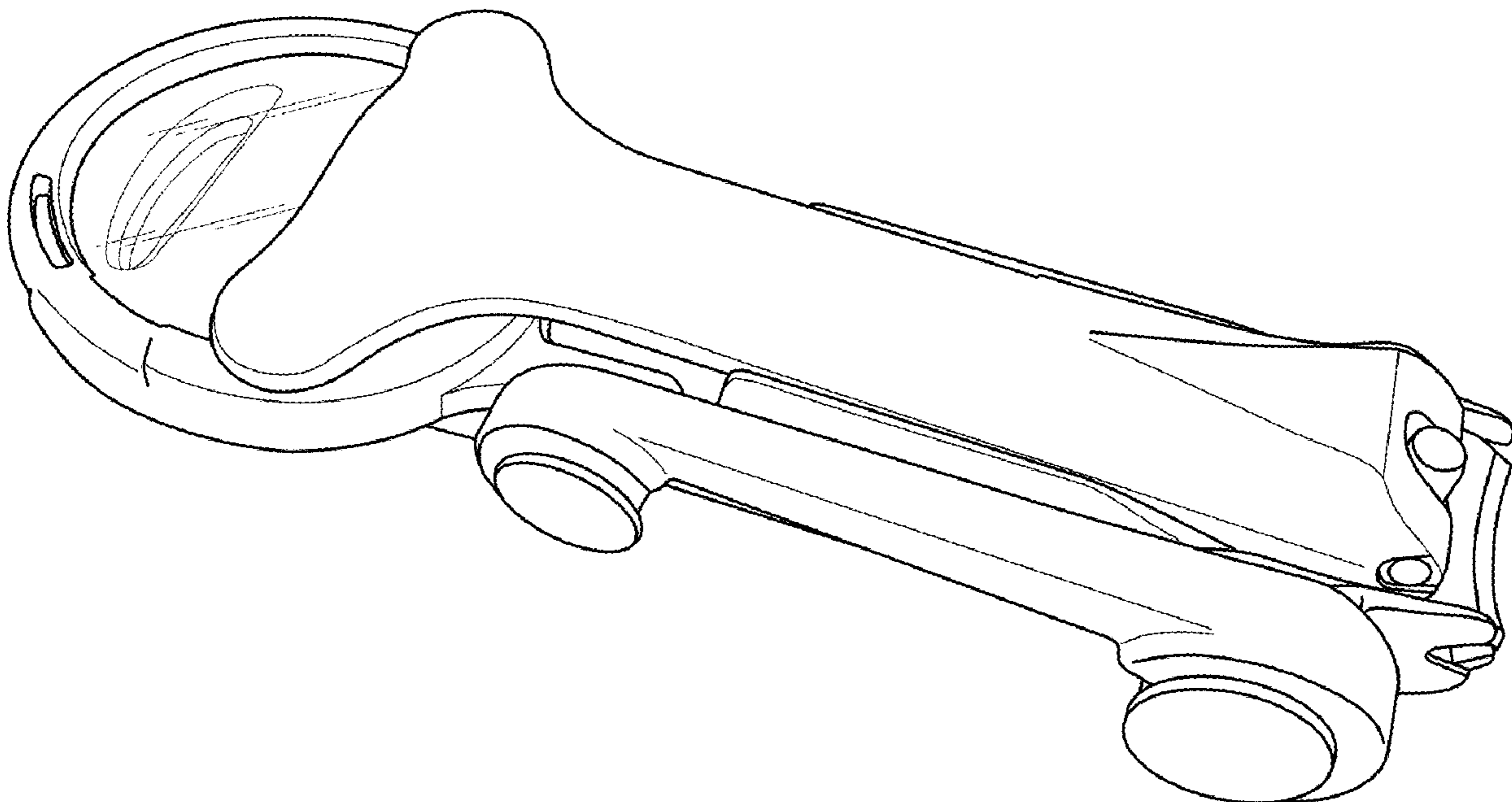
(57) **CLAIM**

The ornamental design for a combined nail clipper and magnifying glass, as shown and described.

DESCRIPTION

FIG. 1 is a right side elevation view of the combined nail clipper and magnifying glass;
 FIG. 2 is a left side elevation view of the combine nail clipper and magnifying glass;
 FIG. 3 is a front elevation view of combined nail clipper and magnifying glass;
 FIG. 4 is a rear elevation view of the combined nail clipper and magnifying glass;
 FIG. 5 is a top plan view of the combined nail clipper and magnifying glass;
 FIG. 6 is a bottom plan view of the combined nail clipper and magnifying glass;
 FIG. 7 is a cross-sectional view of the combined nail clipper and magnifying glass taken along line 7-7 in FIG. 1;
 FIG. 8 is a cross-sectional view of the combined nail clipper and magnifying glass taken along line 8-8 in FIG. 3; and,
 FIG. 9 is a perspective view of the combined nail clipper and magnifying glass.

1 Claim, 3 Drawing Sheets



← 7

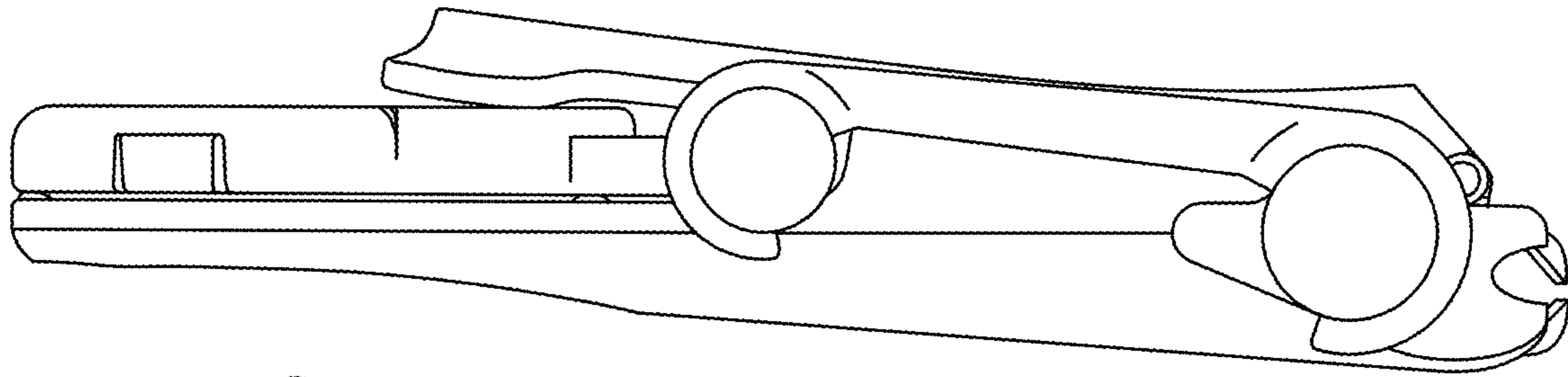


FIG. 1

← 7

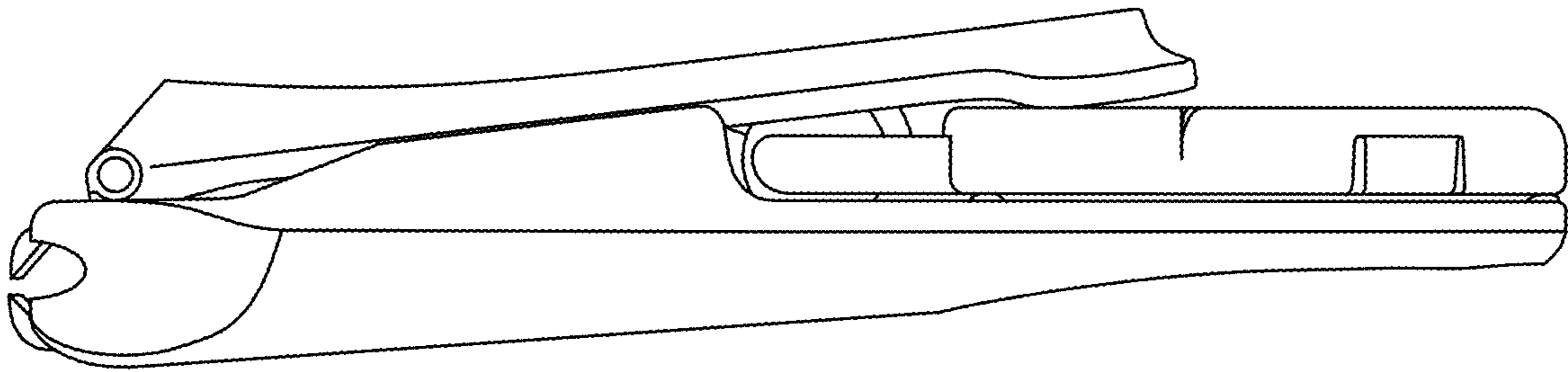
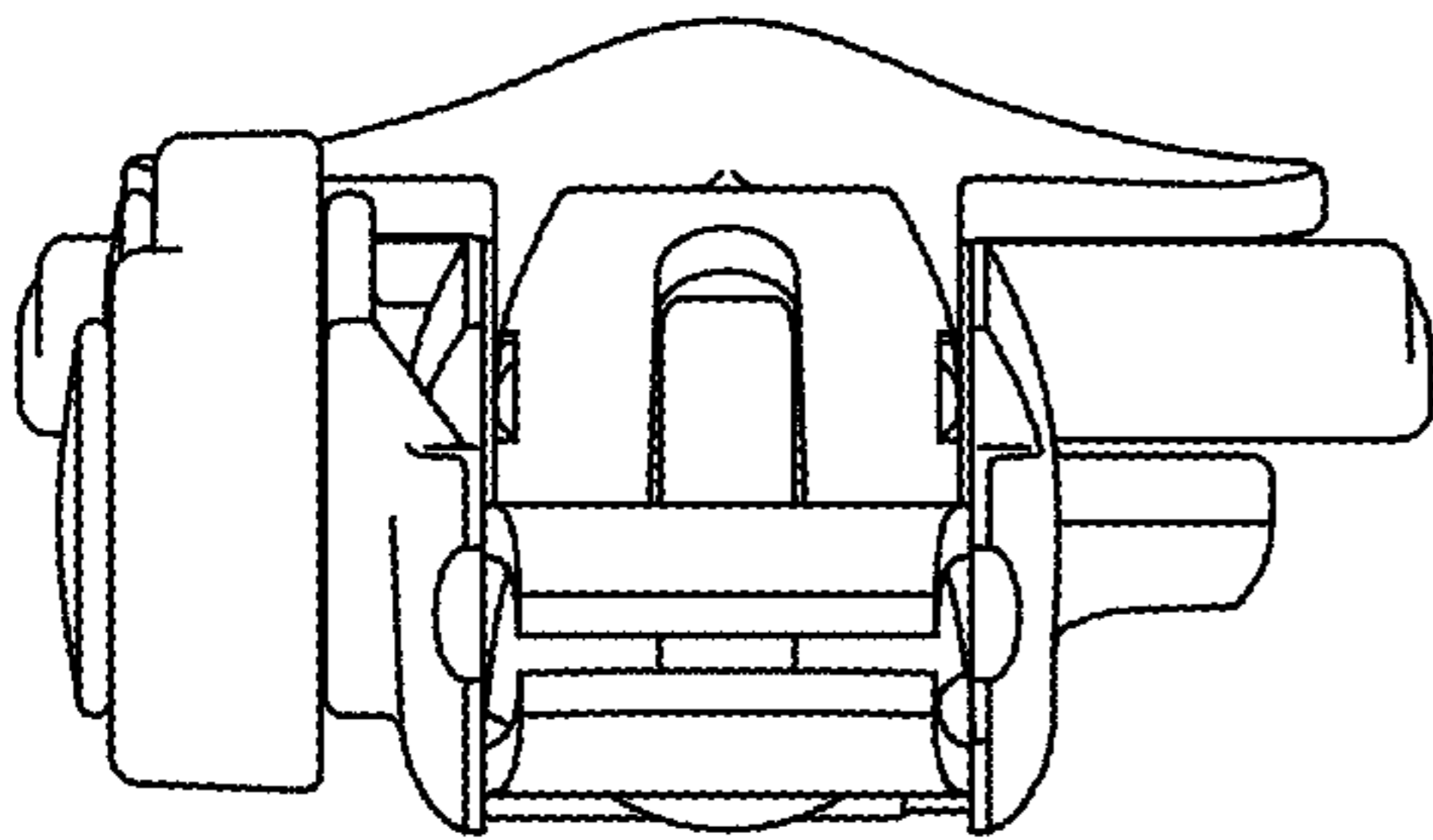


FIG. 2

← 8



← 8

FIG. 3

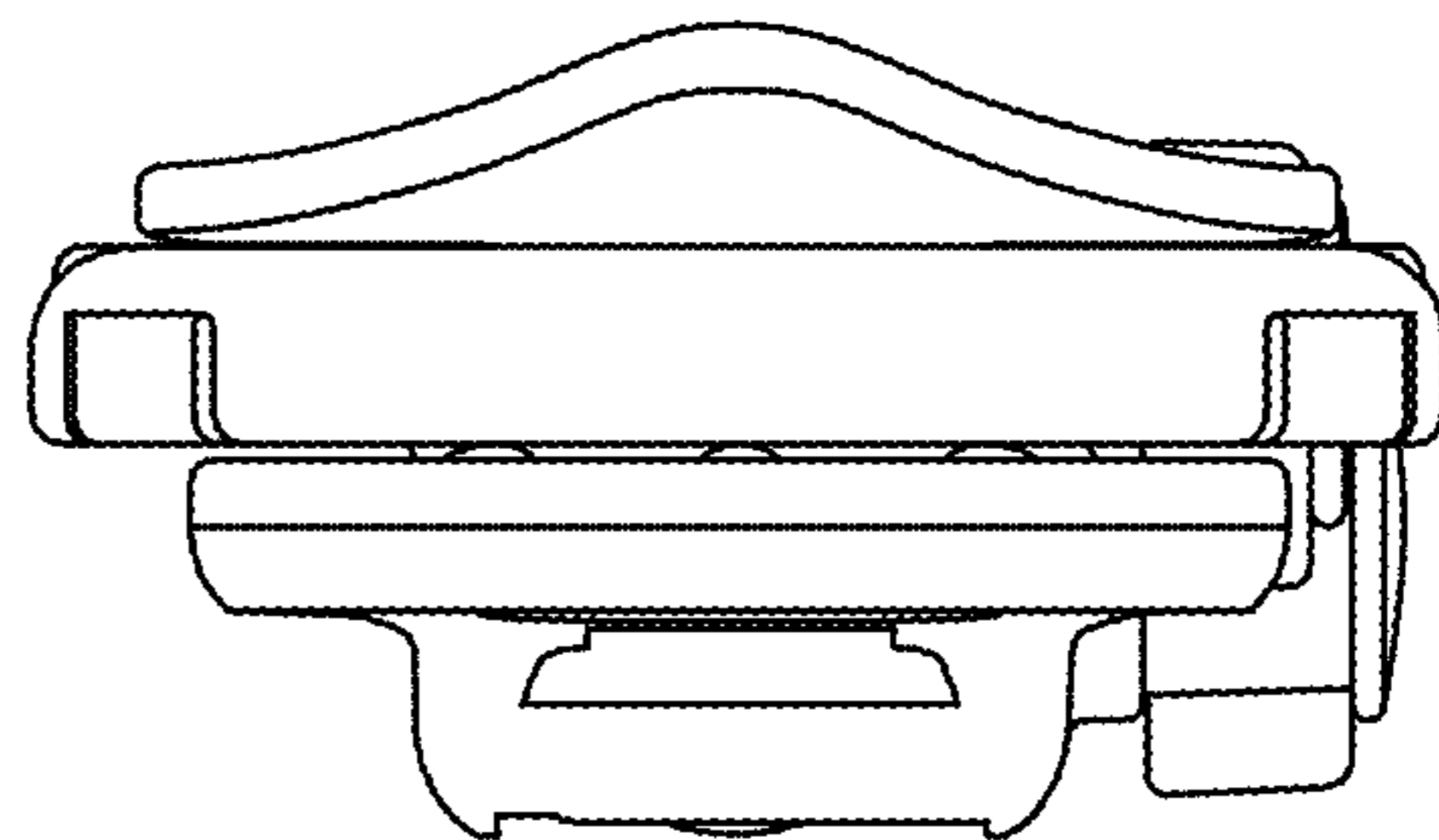


FIG. 4

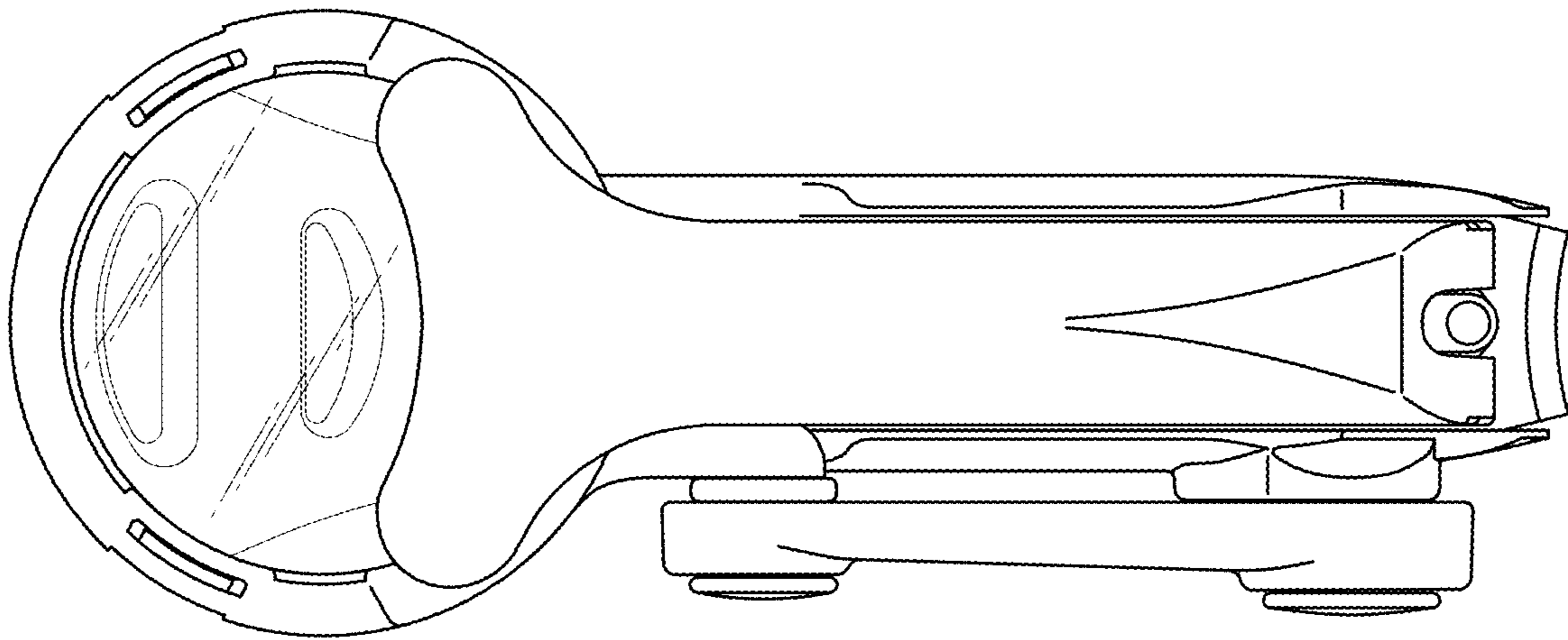


FIG. 5

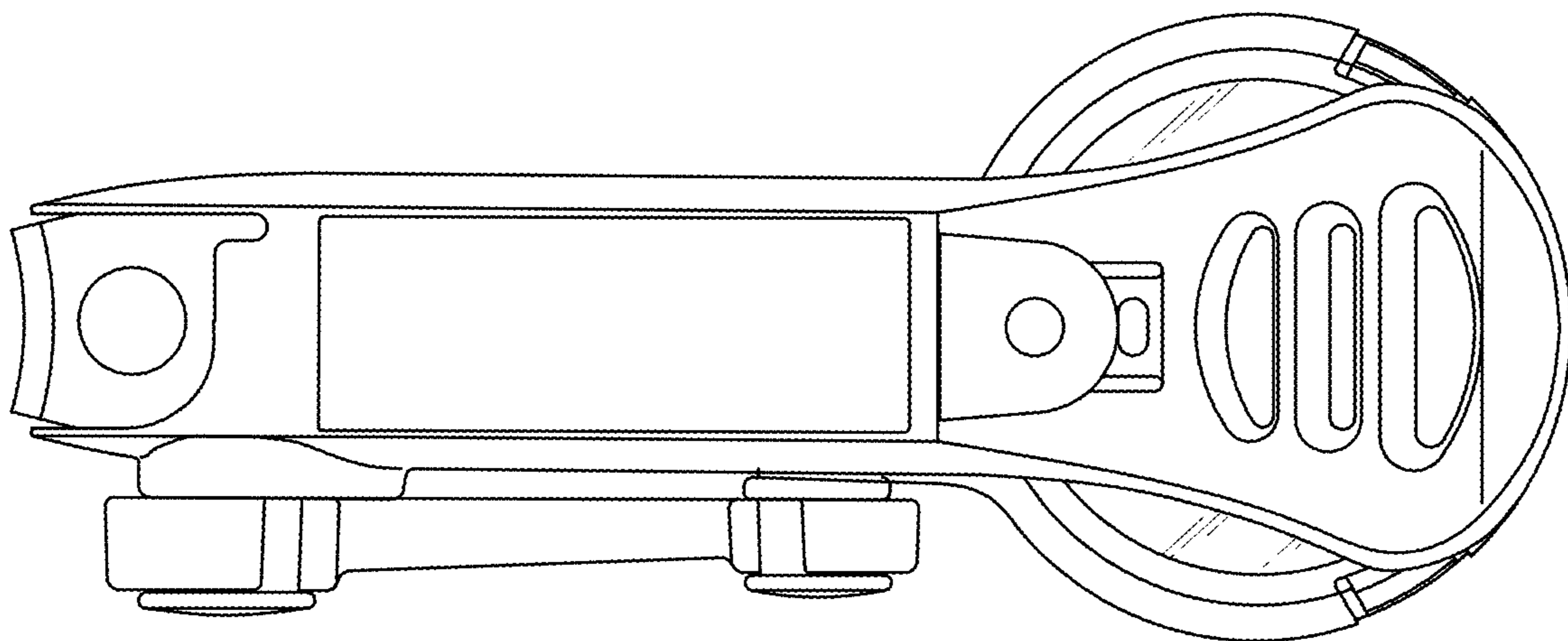


FIG. 6

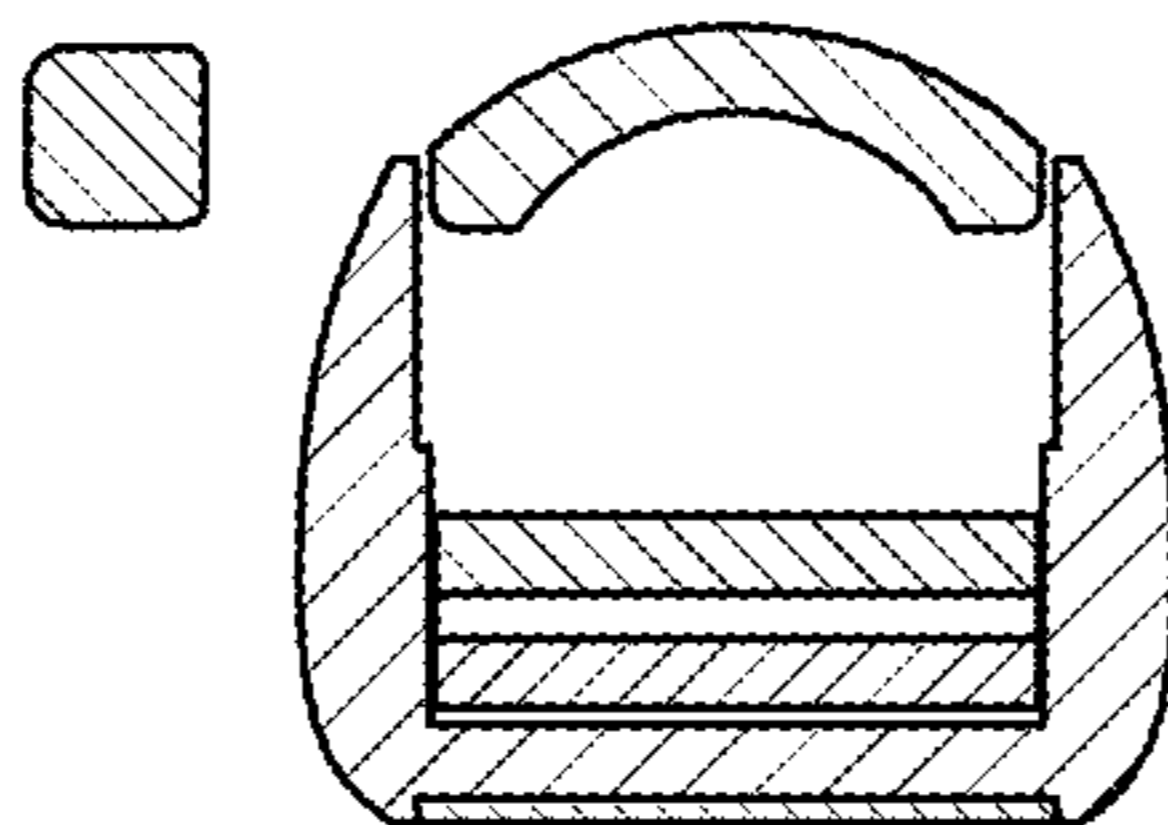


FIG. 7

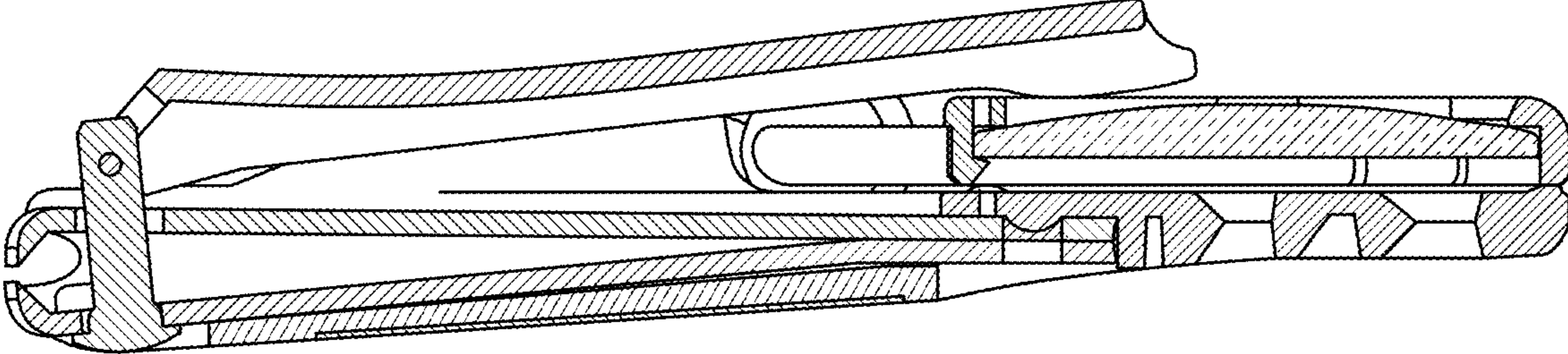


FIG. 8

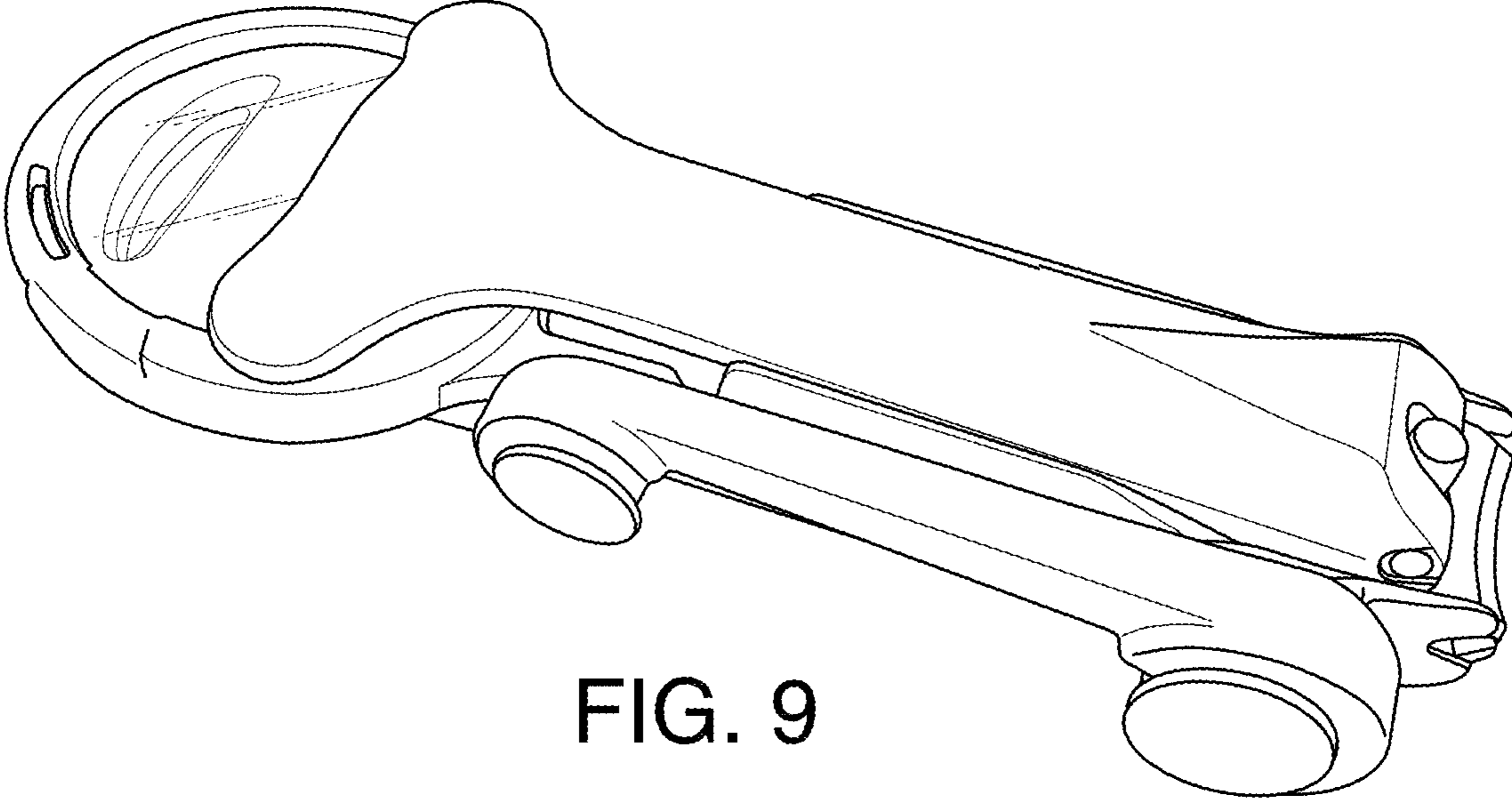


FIG. 9