



US00D899690S

(12) **United States Design Patent** (10) **Patent No.:** **US D899,690 S**  
**de Belizal** (45) **Date of Patent:** **\*\* Oct. 20, 2020**

(54) **HAIR CLIPPER**  
(71) Applicant: **BABYLISS FACO SPRL**, Wandre (BE)  
(72) Inventor: **Charles de Gouzillon de Belizal**, Louveigné (BE)  
(73) Assignee: **BABYLISS FACO SPRL**, Wandre (BE)

D365,421 S \* 12/1995 Wahl ..... D28/53  
D705,485 S \* 5/2014 Lin ..... D28/53  
D722,197 S \* 2/2015 Helmbold ..... D28/44  
D758,016 S \* 5/2016 Andersson ..... D28/51  
D758,662 S \* 6/2016 De Klein ..... D28/51  
D771,314 S \* 11/2016 Andersson ..... D28/53  
D824,107 S \* 7/2018 Teteak ..... D28/53  
D828,627 S \* 9/2018 Szymanski ..... D28/51  
D849,326 S \* 5/2019 Fleming ..... D28/53  
2011/0167639 A1\* 7/2011 Lau ..... B26B 19/06  
30/34.1

(Continued)

(\*\*) Term: **15 Years**  
(21) Appl. No.: **35/507,186**  
(22) Filed: **Nov. 15, 2018**

FOREIGN PATENT DOCUMENTS

CN 201330020077 \* 1/2013  
CN 201630562917 \* 11/2016

(80) **Hague Agreement Data**  
Int. Filing Date: **Nov. 15, 2018**  
Int. Reg. No.: **DM/202064**  
Int. Reg. Date: **Nov. 15, 2018**  
Int. Reg. Pub. Date: **Aug. 2, 2019**

OTHER PUBLICATIONS

Amazon, Wahl Quick Style Trimmer, posted Nov. 3, 2015, [online], [visited Jun. 09, 2020]. Internet, <URL: [https://www.amazon.co.uk/Wahl-5604-035-Quick-Style-Lithium-Trimmer/dp/B00JSRAY7A/ref=sr\\_1\\_38?dchild=1&keywords=hair+clippers+2014&qid=1591732541&sr=8-38](https://www.amazon.co.uk/Wahl-5604-035-Quick-Style-Lithium-Trimmer/dp/B00JSRAY7A/ref=sr_1_38?dchild=1&keywords=hair+clippers+2014&qid=1591732541&sr=8-38)> (Year: 2015).\*

(Continued)

(30) **Foreign Application Priority Data**  
May 18, 2018 (EM) ..... 005272408-0009  
(51) **LOC (12) Cl.** ..... **28-03**  
(52) **U.S. Cl.**  
USPC ..... **D28/53**  
(58) **Field of Classification Search**  
USPC ..... D28/4, 9, 10, 11, 12, 13, 35, 44, 44.1, D28/44.2, 45, 49, 52, 53, 54, 99; D4/104, 109, 110  
CPC ..... B26B 19/00; B26B 19/02; B26B 19/04; B26B 19/28; B26B 19/38; B26B 19/3806; B26B 19/382; B26B 19/384; B26B 19/3873; B26B 19/3886  
See application file for complete search history.

*Primary Examiner* — Jeffrey D Asch  
*Assistant Examiner* — Samantha N Wood

(57) **CLAIM**

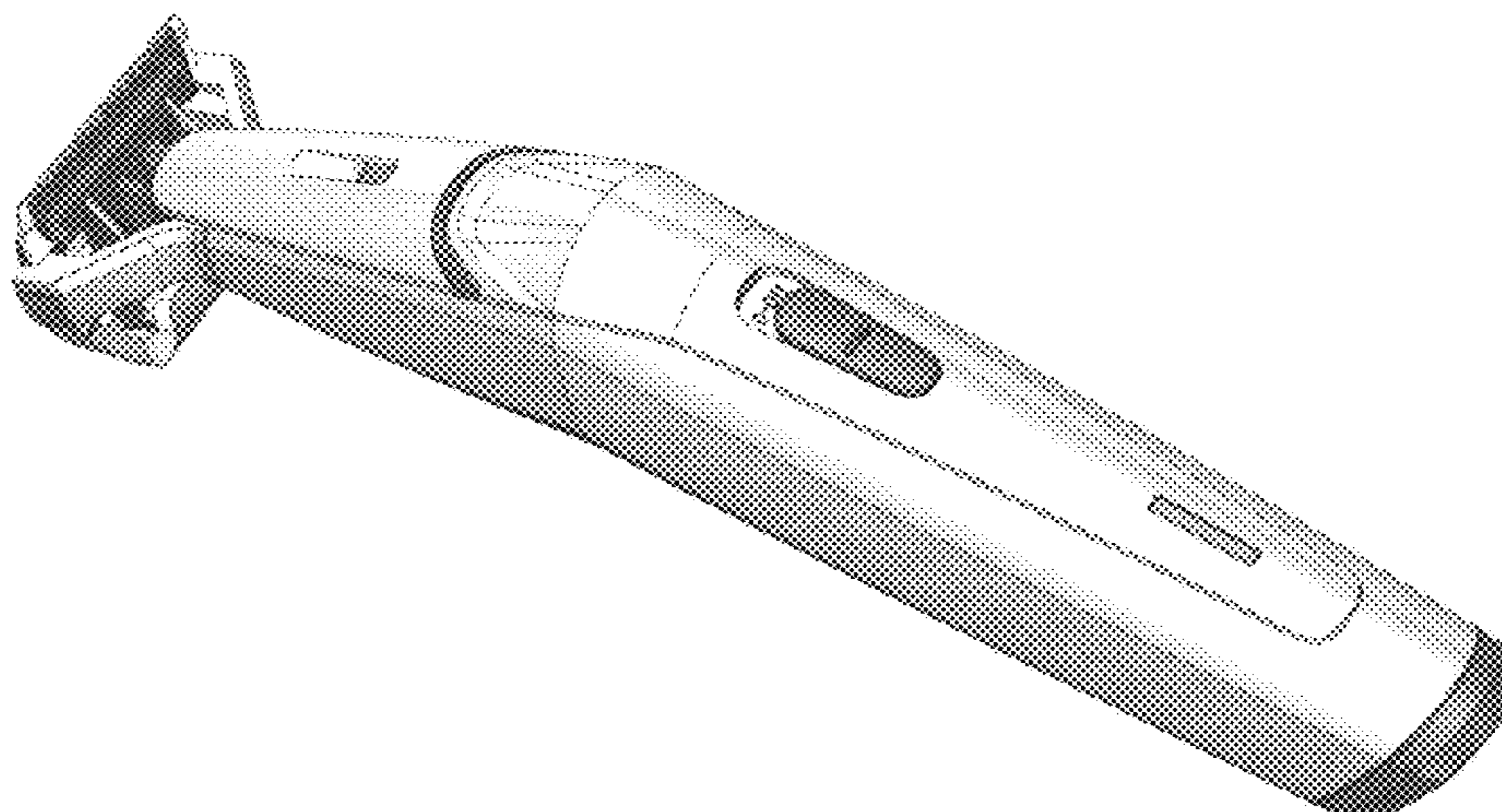
The ornamental design for a hair clipper, as shown and described.

**DESCRIPTION**

- 1. Hair clipper
- 1.1 : Top Perspective
- 1.2 : Bottom
- 1.3 : Rear
- 1.4 : Top
- 1.5 : Side
- 1.6 : Front
- 1.7 : Bottom Perspective

(56) **References Cited**  
U.S. PATENT DOCUMENTS  
D276,562 S \* 11/1984 Mizobata ..... D28/49  
D306,915 S \* 3/1990 Luzenberg ..... D28/46

**1 Claim, 7 Drawing Sheets**



(56)

**References Cited**

U.S. PATENT DOCUMENTS

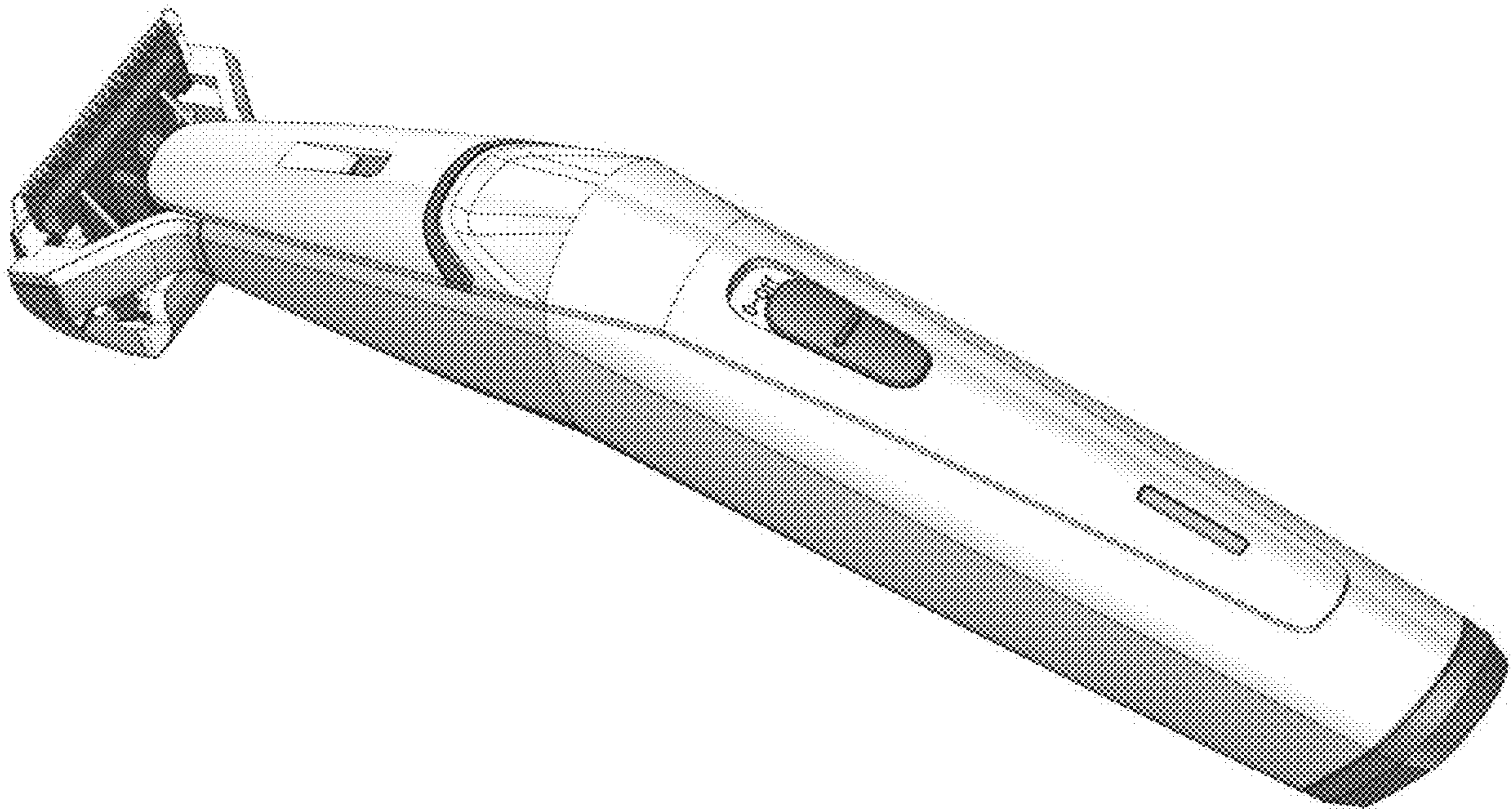
2012/0192436 A1\* 8/2012 Toy ..... B26B 19/386  
30/216

OTHER PUBLICATIONS

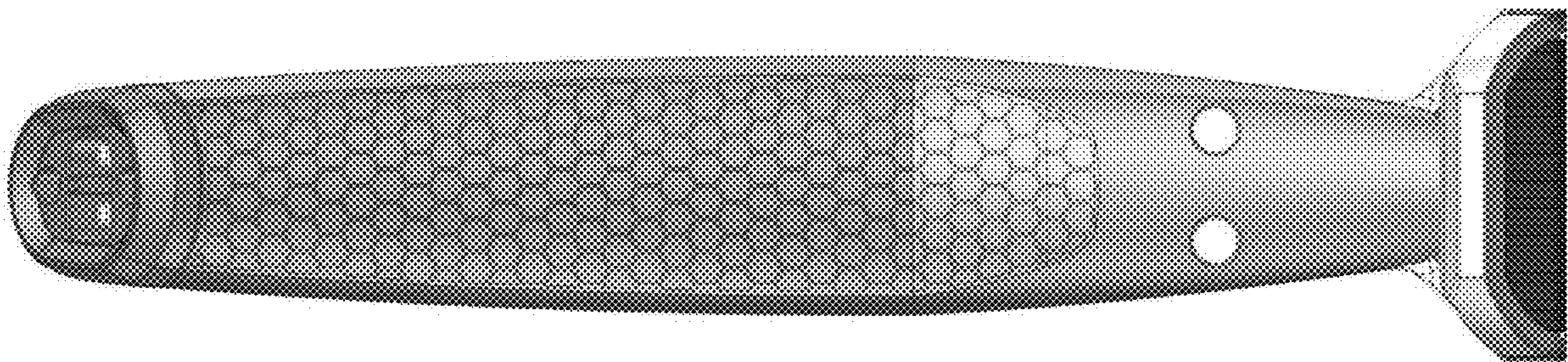
Amazon, Philips Series Groomer, posted May 9, 2018, [online],  
[visited Jun. 9, 2020]. Internet, <URL: [https://www.amazon.co.uk/  
Philips-Showerproof-Groomer-Attachment-Comfort/dp/B07B36BQGH/  
ref](https://www.amazon.co.uk/Philips-Showerproof-Groomer-Attachment-Comfort/dp/B07B36BQGH/ref)> (Year: 2018).\*

\* cited by examiner

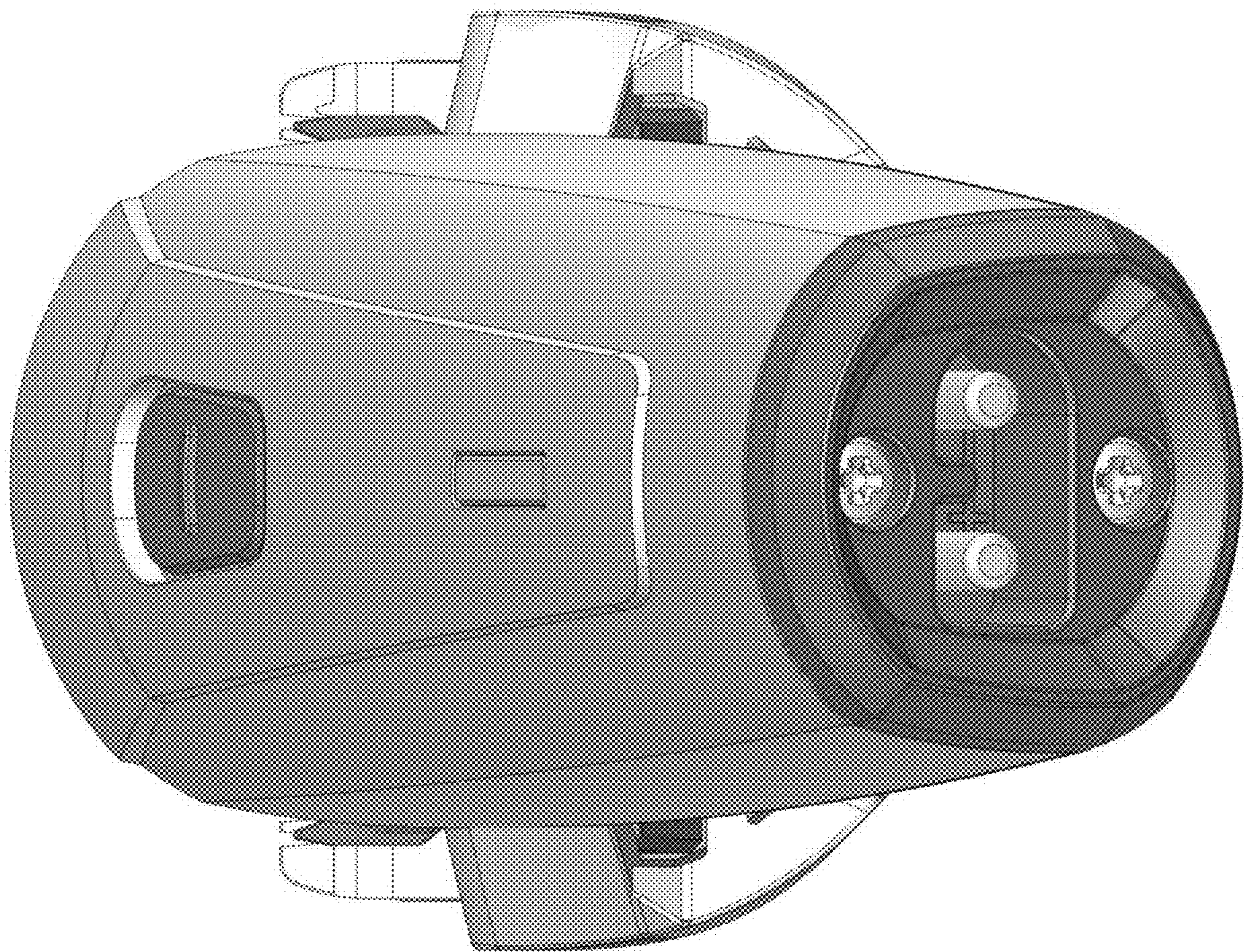
1.1



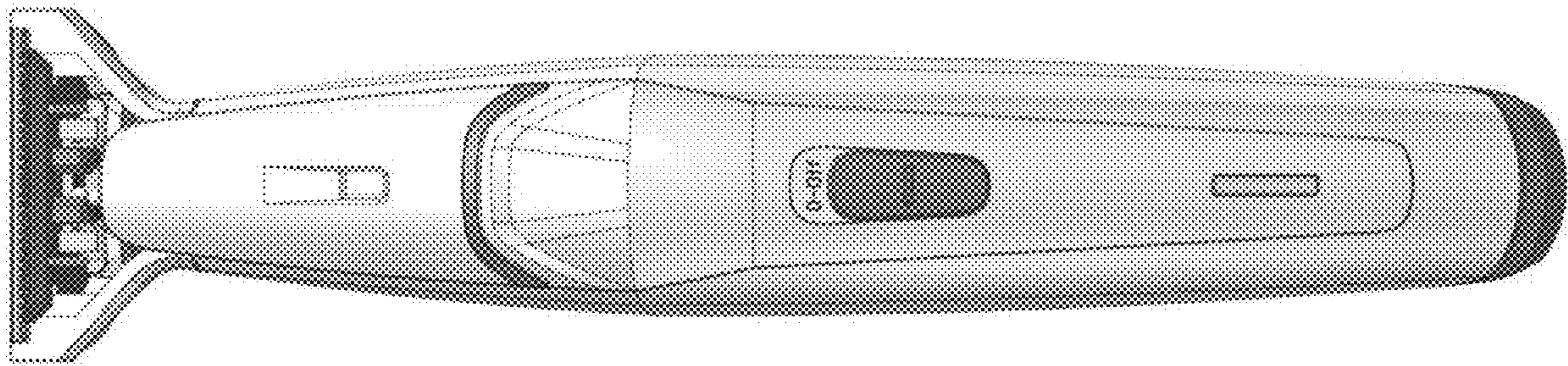
1.2



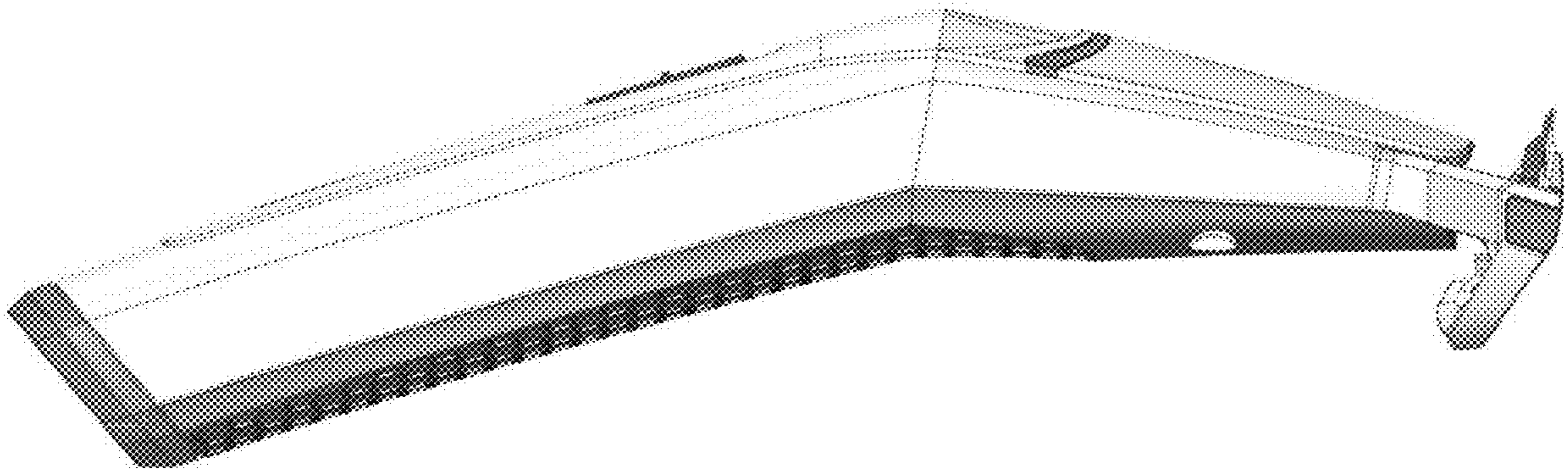
1.3



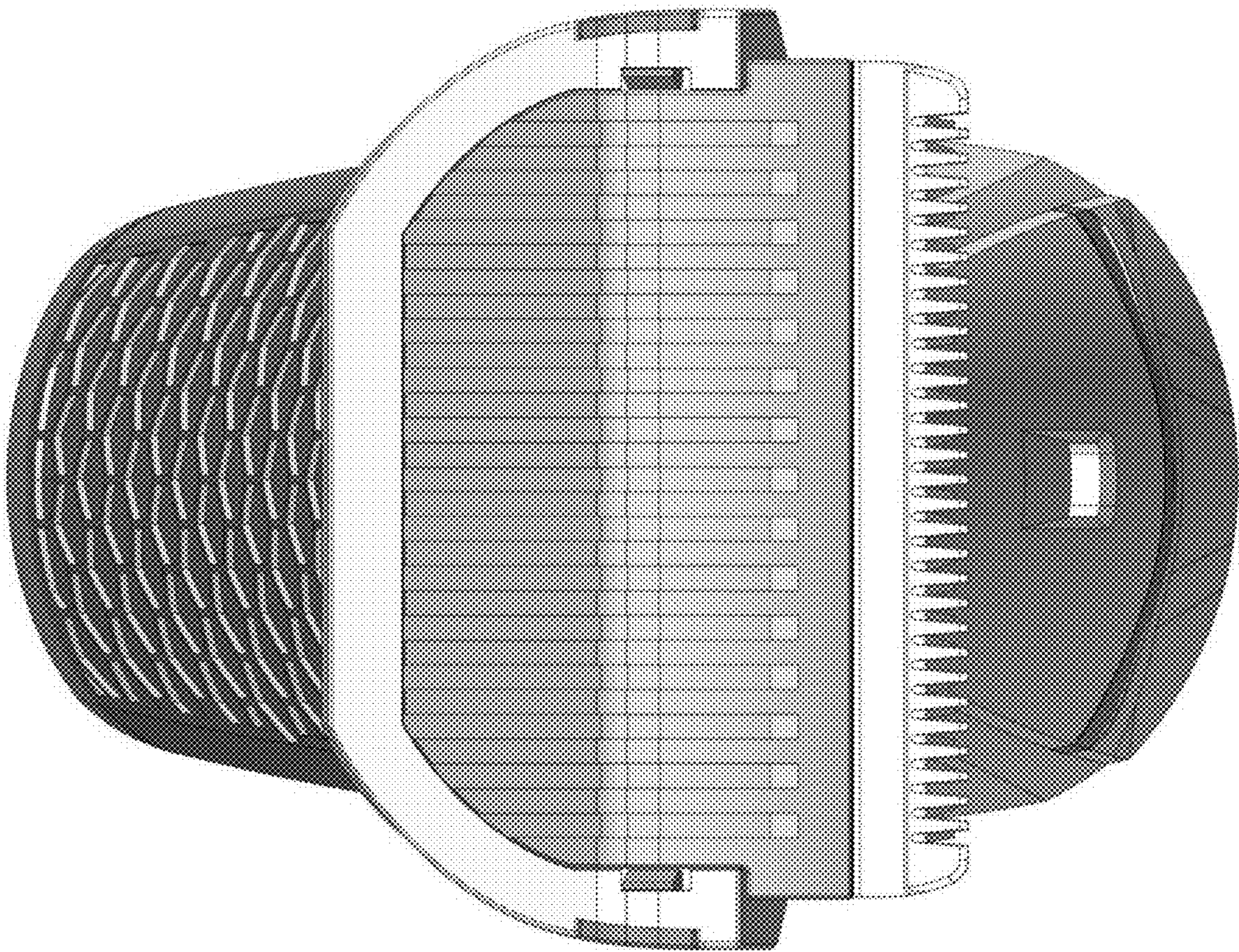
1.4



1.5



1.6





1.7

