



US00D899689S

(12) **United States Design Patent**  
**Kong**

(10) **Patent No.:** **US D899,689 S**

(45) **Date of Patent:** **\*\* Oct. 20, 2020**

(54) **RAZOR HANDLE**

(71) Applicant: **DORCO CO., LTD.**, Seoul (KR)

(72) Inventor: **Namyoon Kong**, Seoul (KR)

(73) Assignee: **DORCO CO., LTD.**, Seoul (KR)

(\*\*) Term: **15 Years**

(21) Appl. No.: **29/671,441**

(22) Filed: **Nov. 27, 2018**

(30) **Foreign Application Priority Data**

May 28, 2018 (KR) ..... 30-2018-0024727

(51) **LOC (12) Cl.** ..... **28-03**

(52) **U.S. Cl.**  
USPC ..... **D28/48**

(58) **Field of Classification Search**  
USPC ..... D28/46-48  
CPC ..... B26B 21/00-06; B26B 21/08-38; B26B  
21/44-50; B26B 21/405-4056; B26B  
21/52-528  
See application file for complete search history.

(56) **References Cited**

**U.S. PATENT DOCUMENTS**

D664,714 S \* 7/2012 Christie ..... D28/48  
D699,395 S \* 2/2014 Bae ..... D28/48

D813,456 S \* 3/2018 Christofidellis ..... D28/48  
D822,901 S \* 7/2018 Shin ..... D28/48  
D822,902 S \* 7/2018 Shin ..... D28/48  
D824,102 S \* 7/2018 Go ..... D28/48  
D870,382 S \* 12/2019 Dubin ..... D28/48  
D870,971 S \* 12/2019 Dubin ..... D28/48  
D872,365 S \* 1/2020 Zarembo ..... D28/48  
D879,375 S \* 3/2020 Go ..... D28/48  
D886,382 S \* 6/2020 Dubin ..... D28/48  
D891,698 S \* 7/2020 Dubin ..... D28/48  
2004/0226178 A1 \* 11/2004 Lukan ..... B26B 21/40  
30/526

\* cited by examiner

*Primary Examiner* — Jennifer Rivard

(74) *Attorney, Agent, or Firm* — Lee, Hong, Degerman,  
Kang & Waimey

(57) **CLAIM**

The ornamental design for a razor handle, as shown and described.

**DESCRIPTION**

FIG. 1 is a perspective view of a razor handle showing the new design;

FIG. 2 is a front view thereof;

FIG. 3 is a rear view thereof;

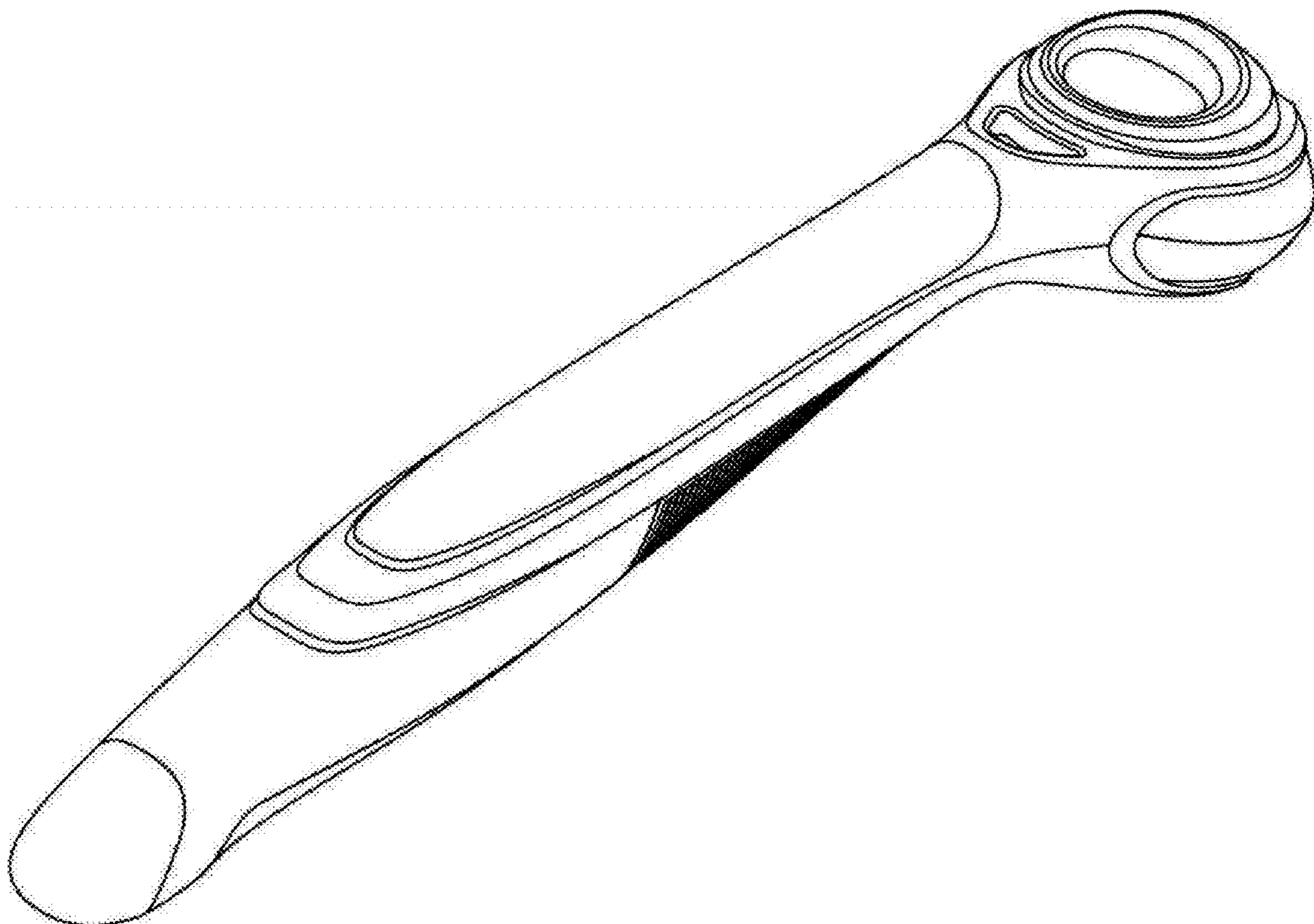
FIG. 4 is a right side view thereof;

FIG. 5 is a left side view thereof;

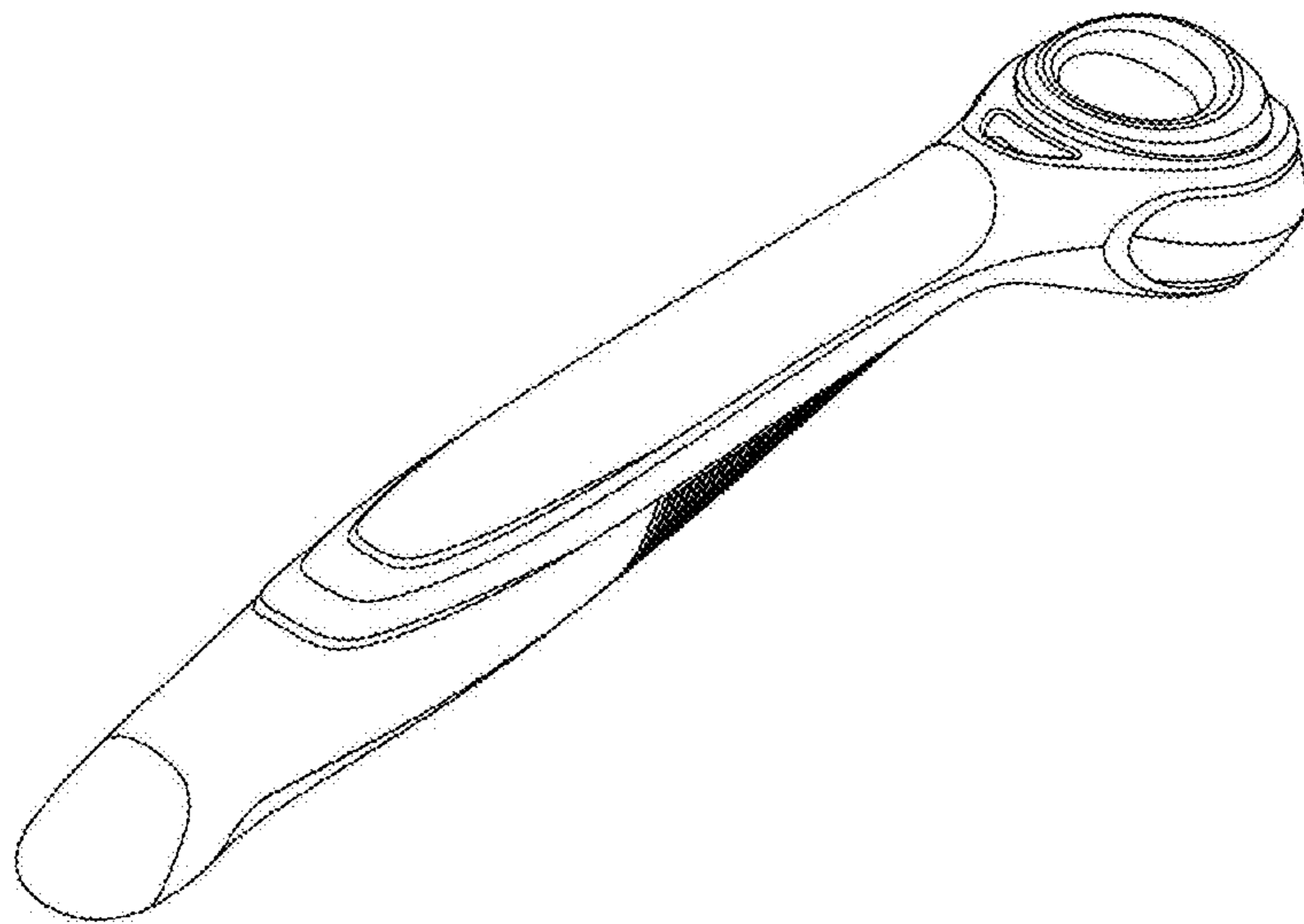
FIG. 6 is a top view thereof; and,

FIG. 7 is a bottom view thereof.

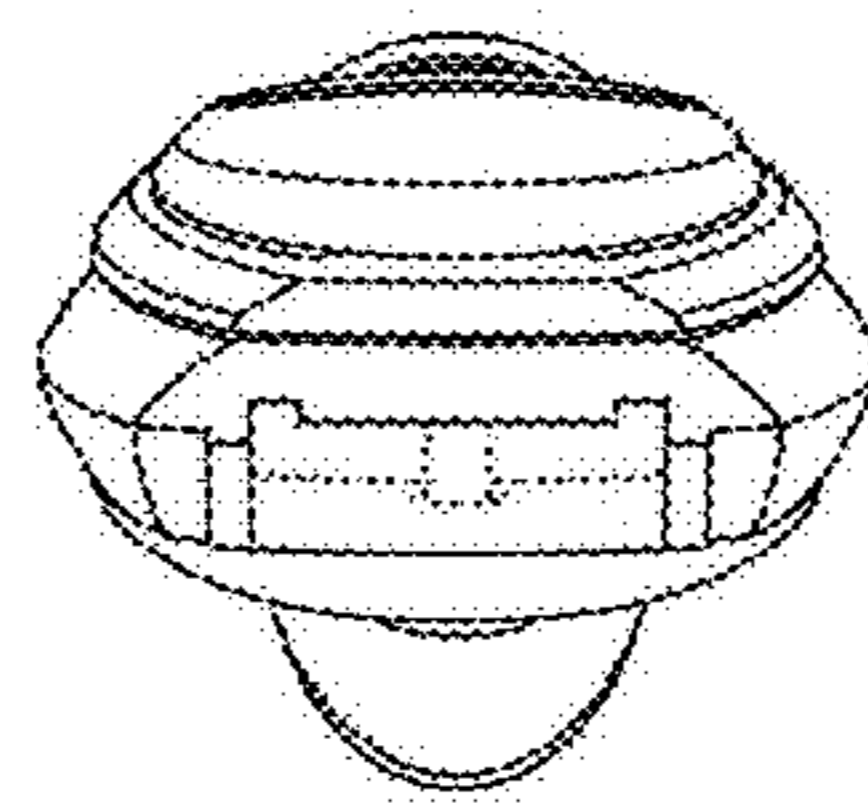
**1 Claim, 7 Drawing Sheets**



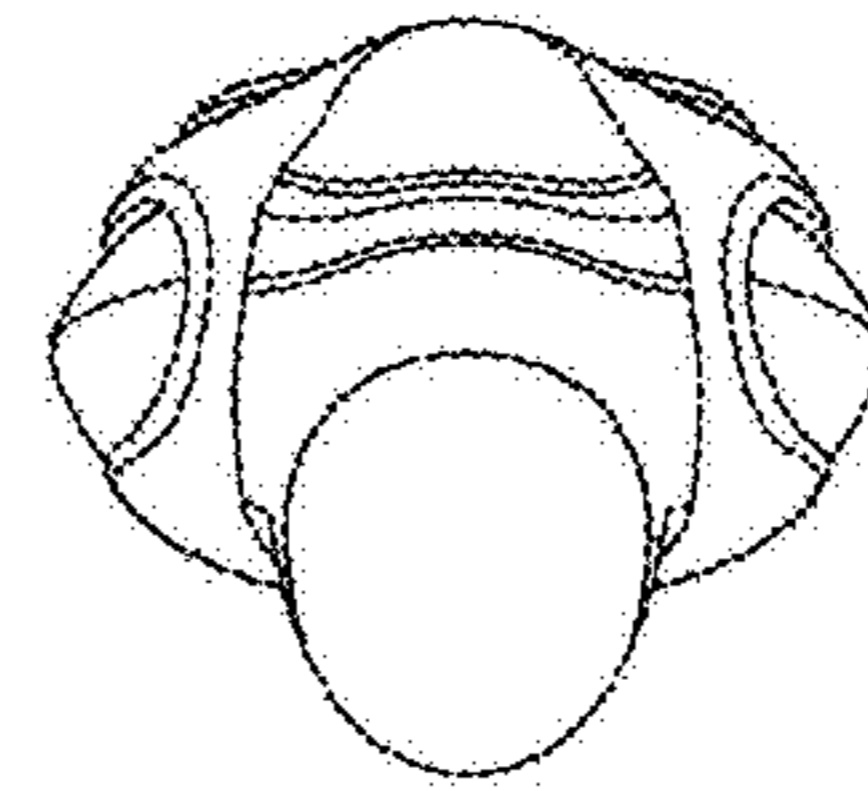
[Fig. 1]



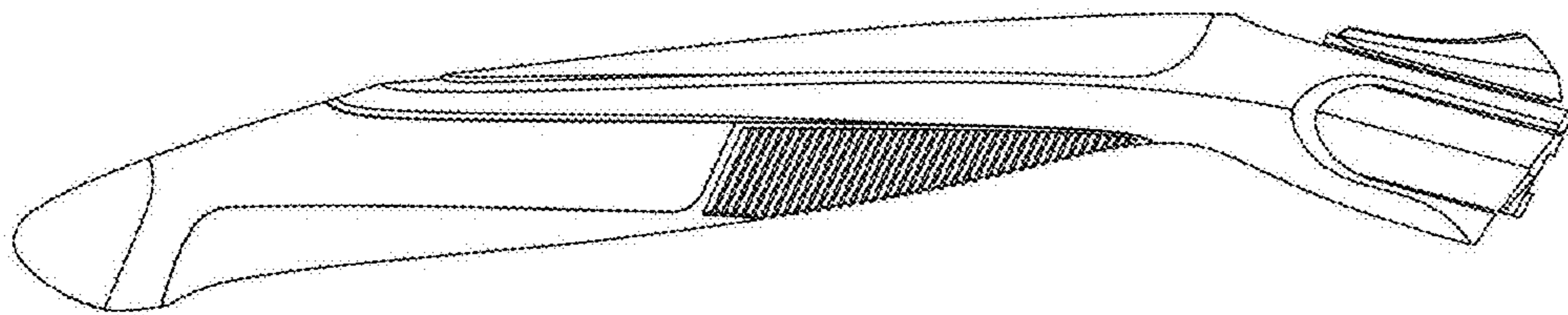
[Fig. 2]



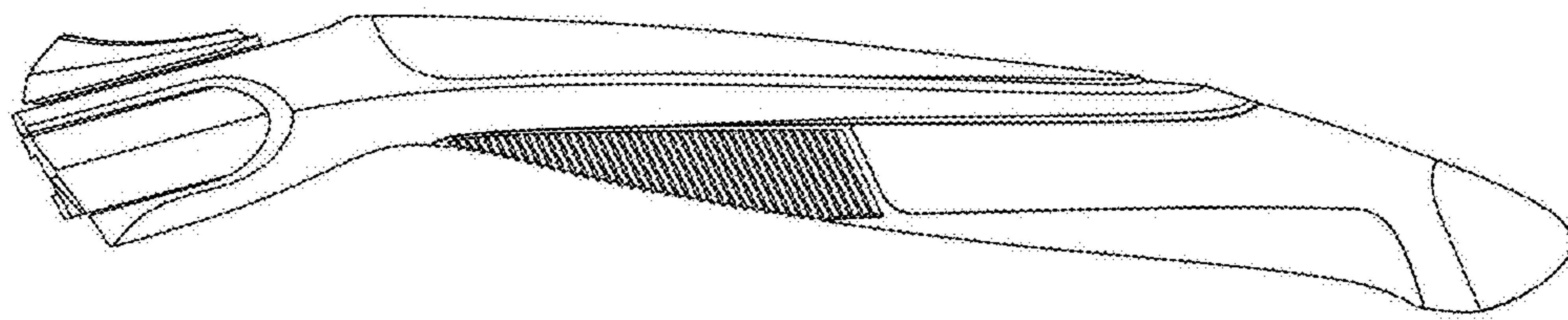
[Fig. 3]



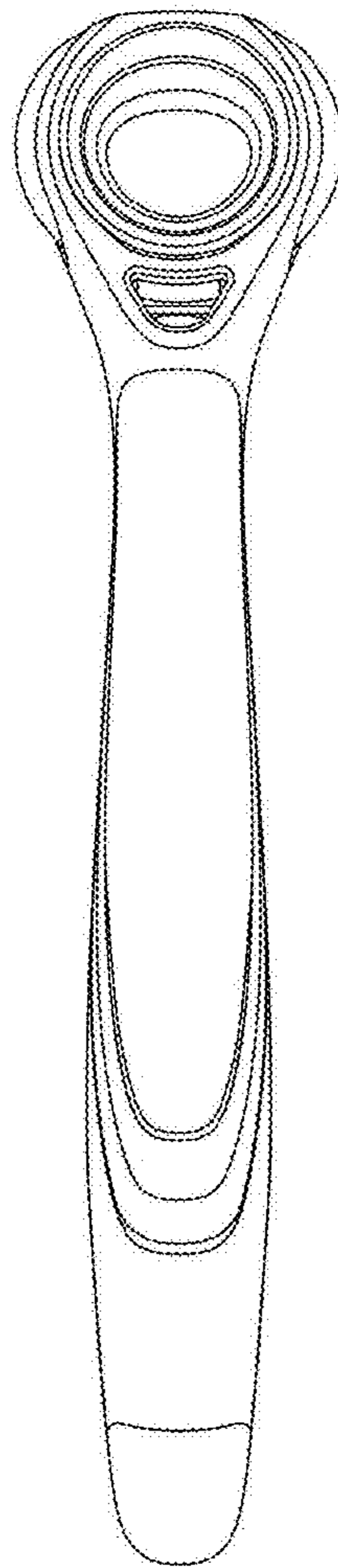
[Fig. 4]



[Fig. 5]



[Fig. 6]



[Fig. 7]

