



US00D899687S

(12) **United States Design Patent** (10) **Patent No.:** **US D899,687 S**  
**Chen** (45) **Date of Patent:** **\*\* Oct. 20, 2020**

(54) **HAIR CURLER**

(71) Applicant: **Kaimei Chen**, Ruian (CN)

(72) Inventor: **Kaimei Chen**, Ruian (CN)

(\*\*) Term: **15 Years**

(21) Appl. No.: **29/720,648**

(22) Filed: **Jan. 15, 2020**

(30) **Foreign Application Priority Data**

Jul. 26, 2019 (CN) ..... 2019 30 400748

(51) **LOC (12) Cl.** ..... **28-03**

(52) **U.S. Cl.**  
USPC ..... **D28/35**

(58) **Field of Classification Search**  
USPC ..... D28/35  
CPC ..... A45D 2001/004; A45D 2/36-367; A45D 2/02; A45D 2/12; A45D 2/122; A45D 2/38; A45D 2/40; A45D 2/01; A45D 1/28; A45D 1/00; A45D 1/06; A45D 1/14; A45D 1/16; A45D 2001/045; A45D 1/04

See application file for complete search history.

(56) **References Cited**

**U.S. PATENT DOCUMENTS**

8,132,571 B1 \* 3/2012 Jackson ..... A45D 1/04  
132/211  
D743,624 S \* 11/2015 Richmond ..... D28/35  
9,185,957 B2 \* 11/2015 Richmond ..... A45D 2/36  
D759,306 S 6/2016 Delassus  
D769,523 S \* 10/2016 Fan ..... D28/35  
D797,994 S \* 9/2017 Yan ..... D28/35  
10,537,162 B2 \* 1/2020 Yeung ..... A45D 6/02  
D876,014 S \* 2/2020 Lin ..... D28/35  
D876,015 S \* 2/2020 Lin ..... D28/35

2005/0268933 A1 \* 12/2005 Kimata ..... A45D 2/10  
132/238  
2015/0114425 A1 \* 4/2015 Park ..... A45D 1/04  
132/229  
2015/0196105 A1 \* 7/2015 Leung ..... A45D 1/04  
132/228  
2019/0328100 A1 \* 10/2019 Duan ..... A45D 6/02  
2020/0060405 A1 \* 2/2020 Wang ..... A45D 1/28

**OTHER PUBLICATIONS**

World's first automated curling iron, 1 page, reviewed as early as Sep. 1, 2019, www.youtube.com.\*  
Air spin n curl, 1 page, www.amazon.com, downloaded Mar. 16, 2020.\*  
CHI Spin n curl vs Calista Zen Waver, 1 page, reviewed as early as Oct. 8, 2019, www.youtube.com.\*  
Ibeautyliss hair curler, 1 page, reviewed as early as Jan. 24, 2020, www.youtube.com.\*

\* cited by examiner

*Primary Examiner* — Jennifer Rivard  
(74) *Attorney, Agent, or Firm* — ScienBiziP, P.C.

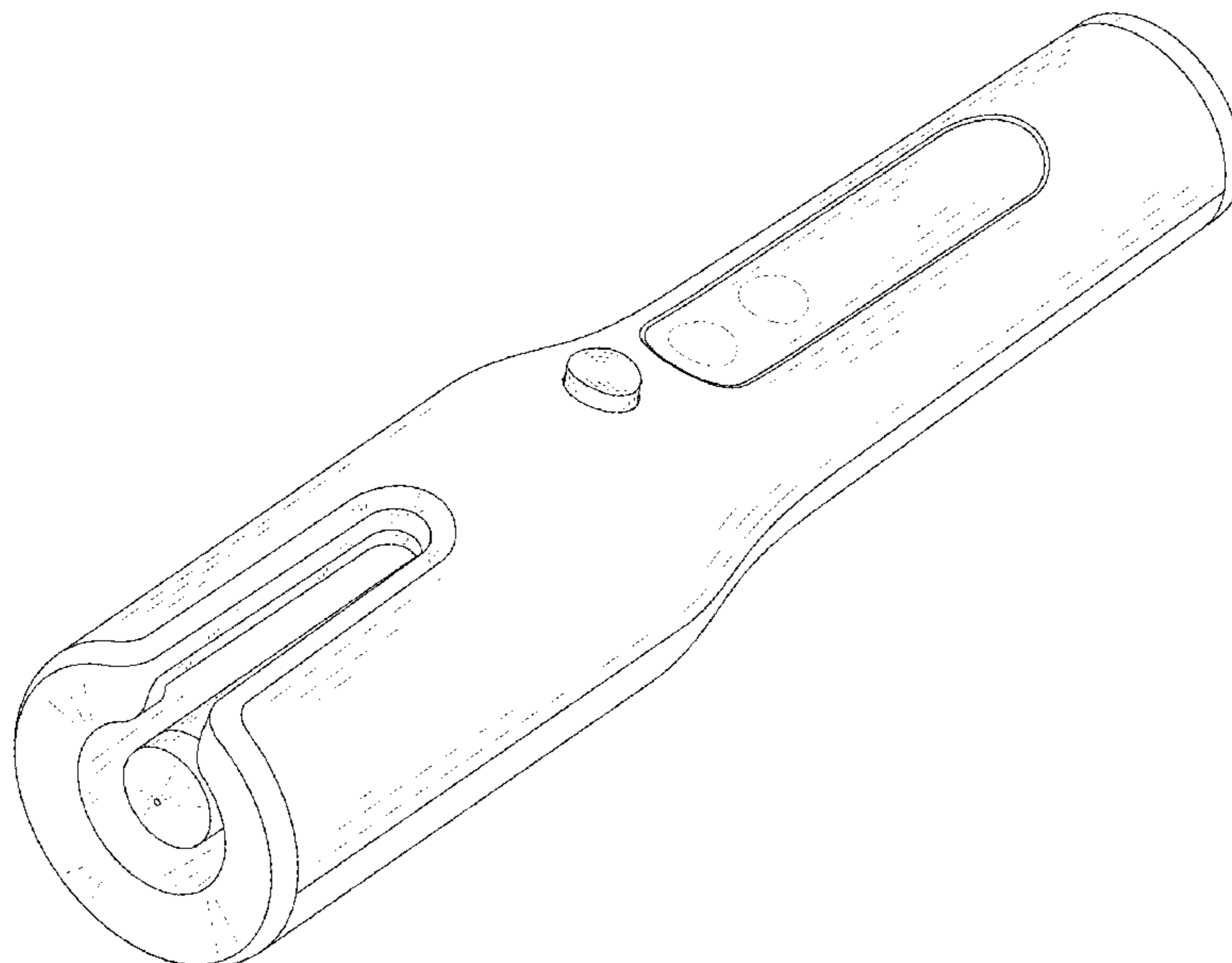
(57) **CLAIM**

The ornamental design for a hair curler, as shown and described.

**DESCRIPTION**

FIG. 1 is a perspective view of a hair curler;  
FIG. 2 is a front elevational view thereof;  
FIG. 3 is a rear elevational view thereof;  
FIG. 4 is a left elevational view thereof;  
FIG. 5 is a right elevational view thereof;  
FIG. 6 is a top plan view thereof; and,  
FIG. 7 is a bottom plan view thereof.  
The evenly spaced broken lines illustrate the buttons, power connection, and interior bottom of the hair curler. None of the broken line disclosure forms part of the claimed design.

**1 Claim, 7 Drawing Sheets**



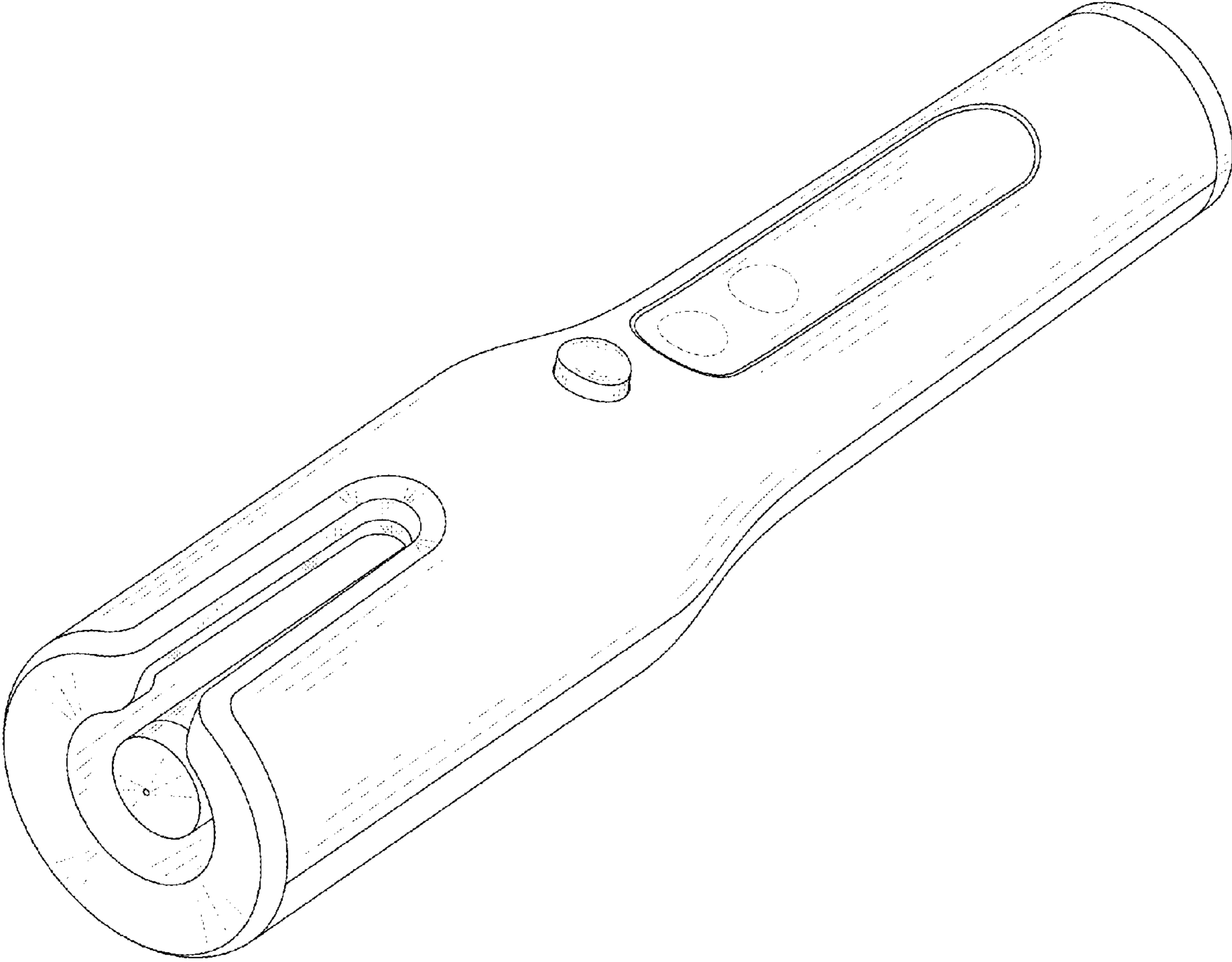


FIG.1

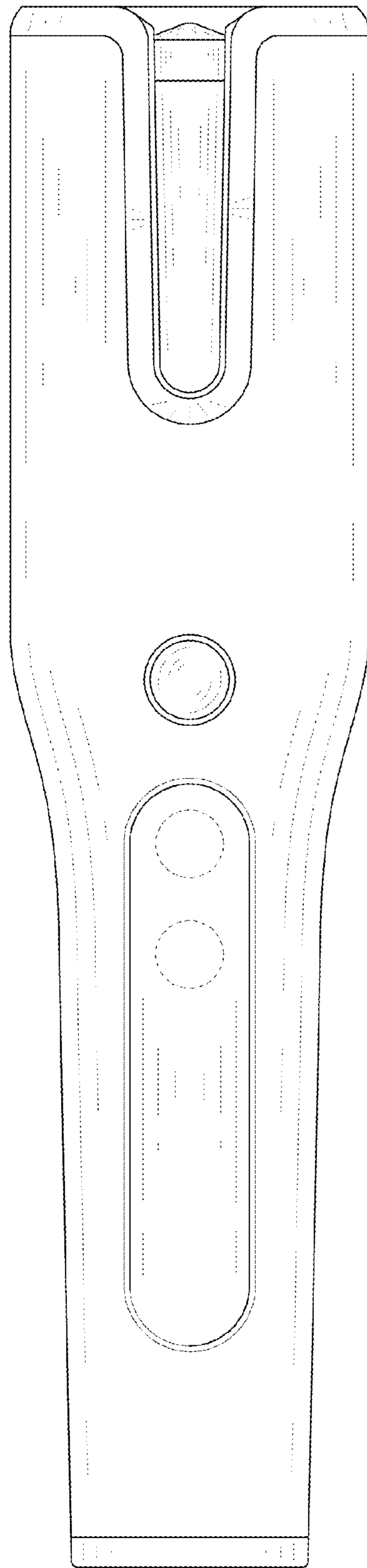


FIG. 2

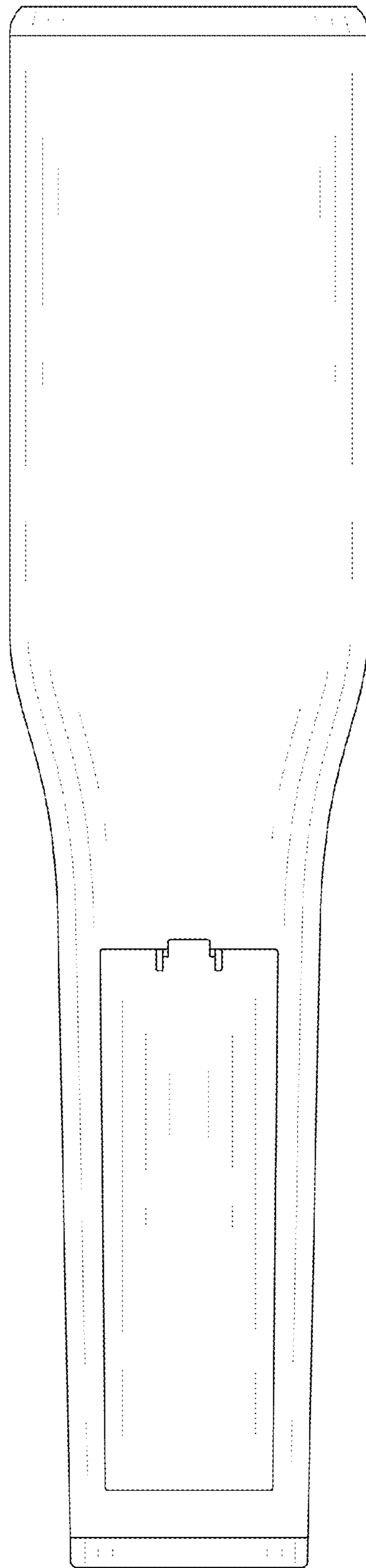


FIG. 3

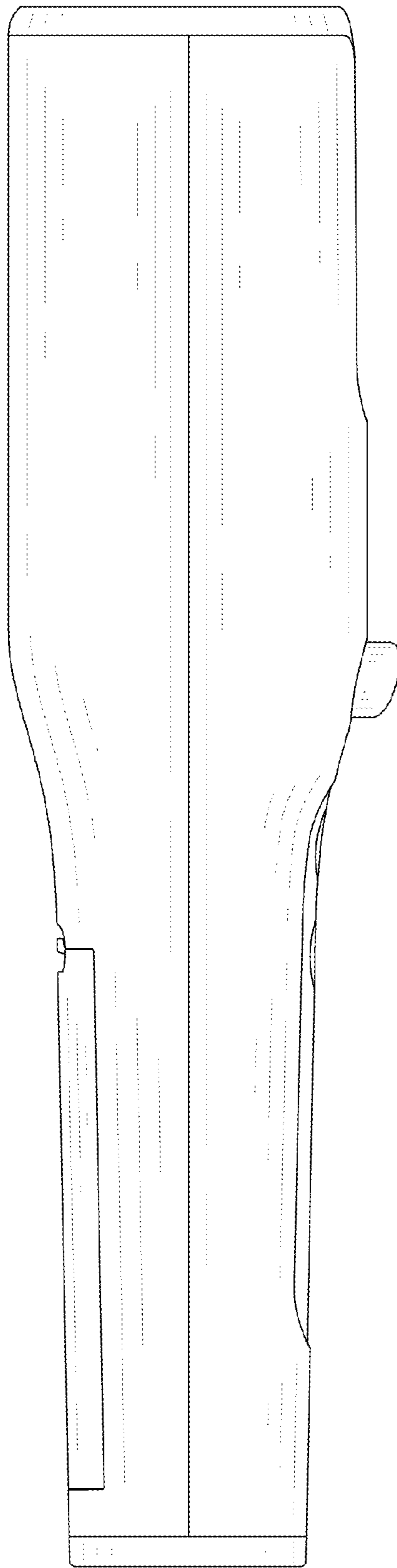


FIG. 4

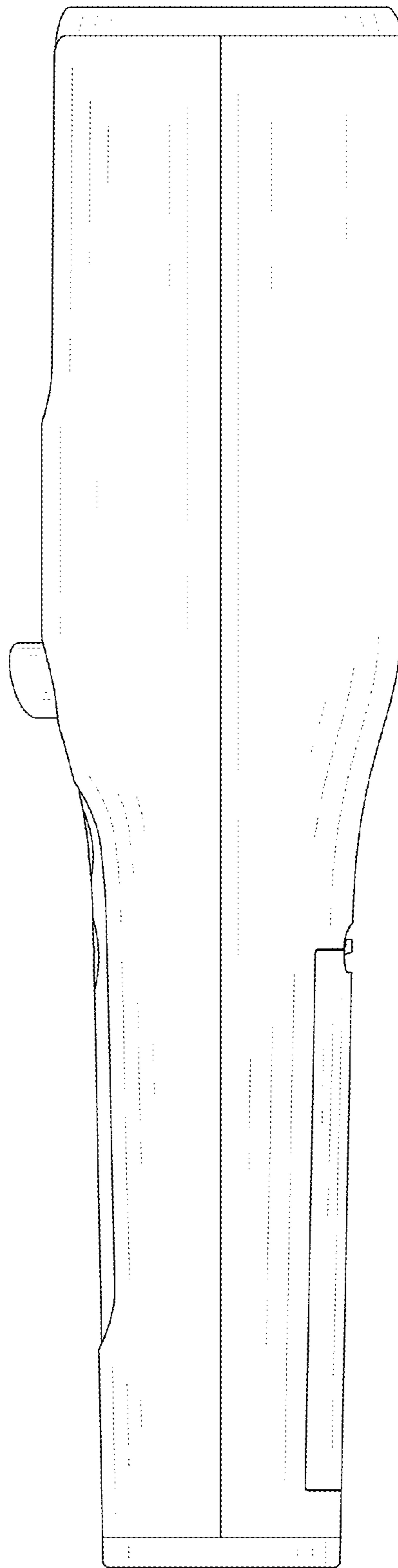


FIG. 5

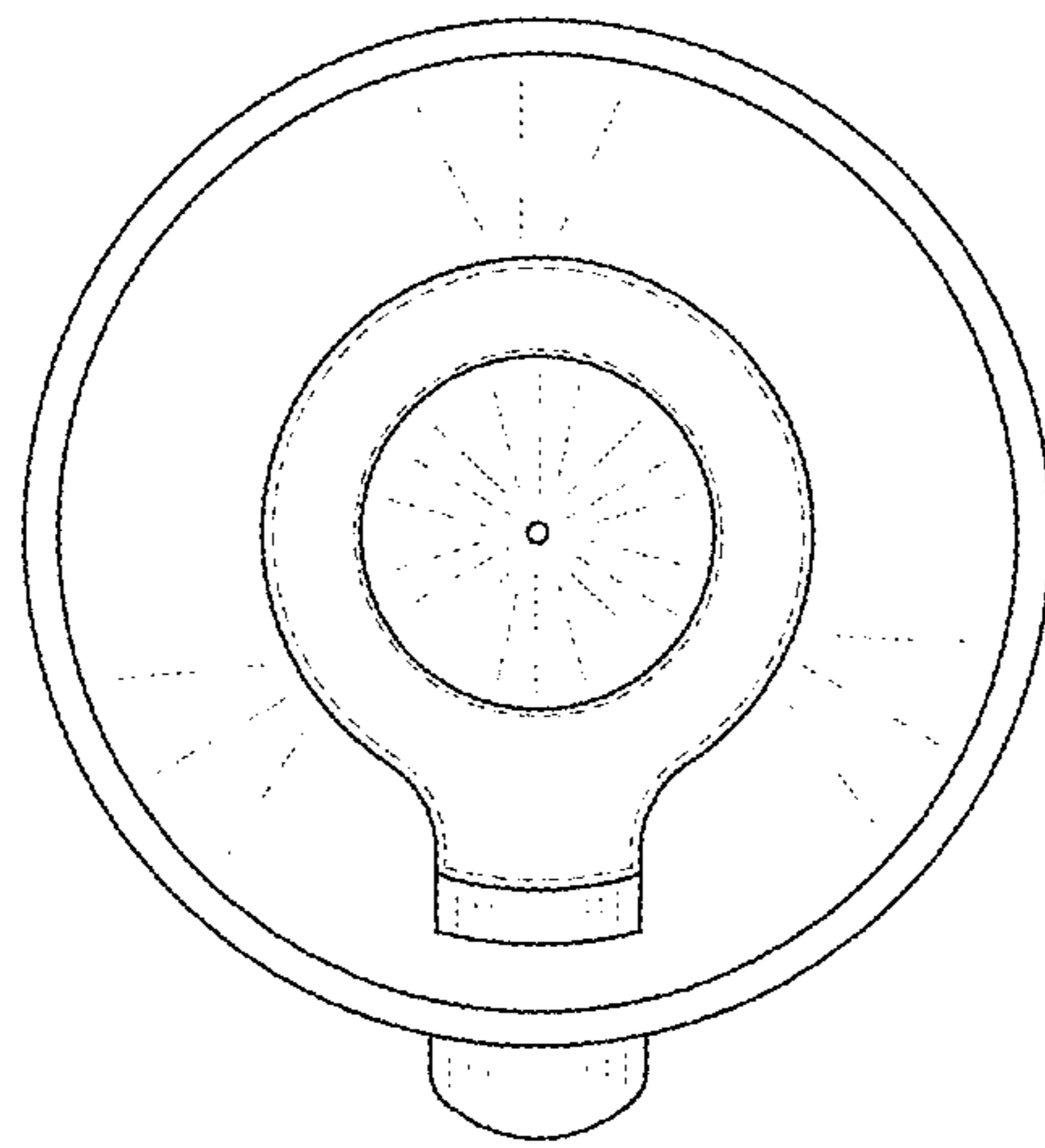


FIG. 6

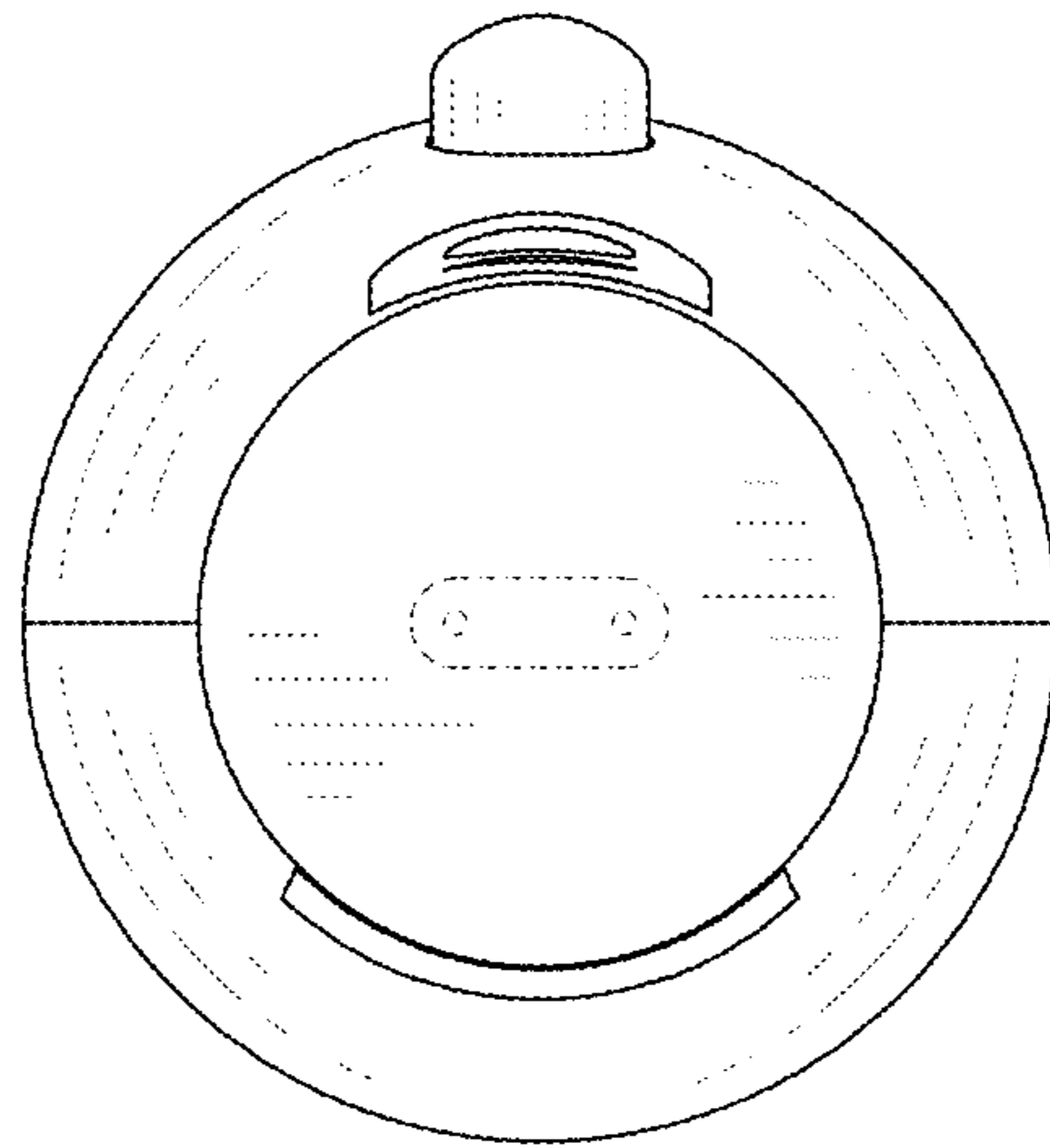


FIG. 7