



US00D899686S

(12) **United States Design Patent**
Lin

(10) **Patent No.:** **US D899,686 S**
(45) **Date of Patent:** **** Oct. 20, 2020**

(54) **HAIRDRYER**

(71) Applicant: **SHENZHEN WIZEVO TECHNOLOGY CO., LTD.**, Shenzhen (CN)

(72) Inventor: **Yuan Lin**, Shenzhen (CN)

(**) Term: **15 Years**

(21) Appl. No.: **29/736,920**

(22) Filed: **Jun. 4, 2020**

(51) **LOC (12) Cl.** **28-03**

(52) **U.S. Cl.**
USPC **D28/13**

(58) **Field of Classification Search**
USPC D28/12-19
CPC A45D 20/04; A45D 20/06; A45D 20/08;
A45D 20/10; A45D 20/128
See application file for complete search history.

(56) **References Cited**

U.S. PATENT DOCUMENTS

- D716,492 S * 10/2014 Dyson A45D 20/12 D28/13
- D731,117 S * 6/2015 Bates D28/13

- D741,544 S * 10/2015 Gammack D28/13
- D757,361 S * 5/2016 Gammack D28/13
- D757,362 S * 5/2016 Dyson D28/13
- D782,733 S * 3/2017 Smith D28/13
- D791,407 S * 7/2017 Smith D28/13
- D849,320 S 5/2019 Park
- D884,965 S 5/2020 Liu

* cited by examiner

Primary Examiner — Zenia I Bennett

(74) *Attorney, Agent, or Firm* — Erson IP (Nelson IP)

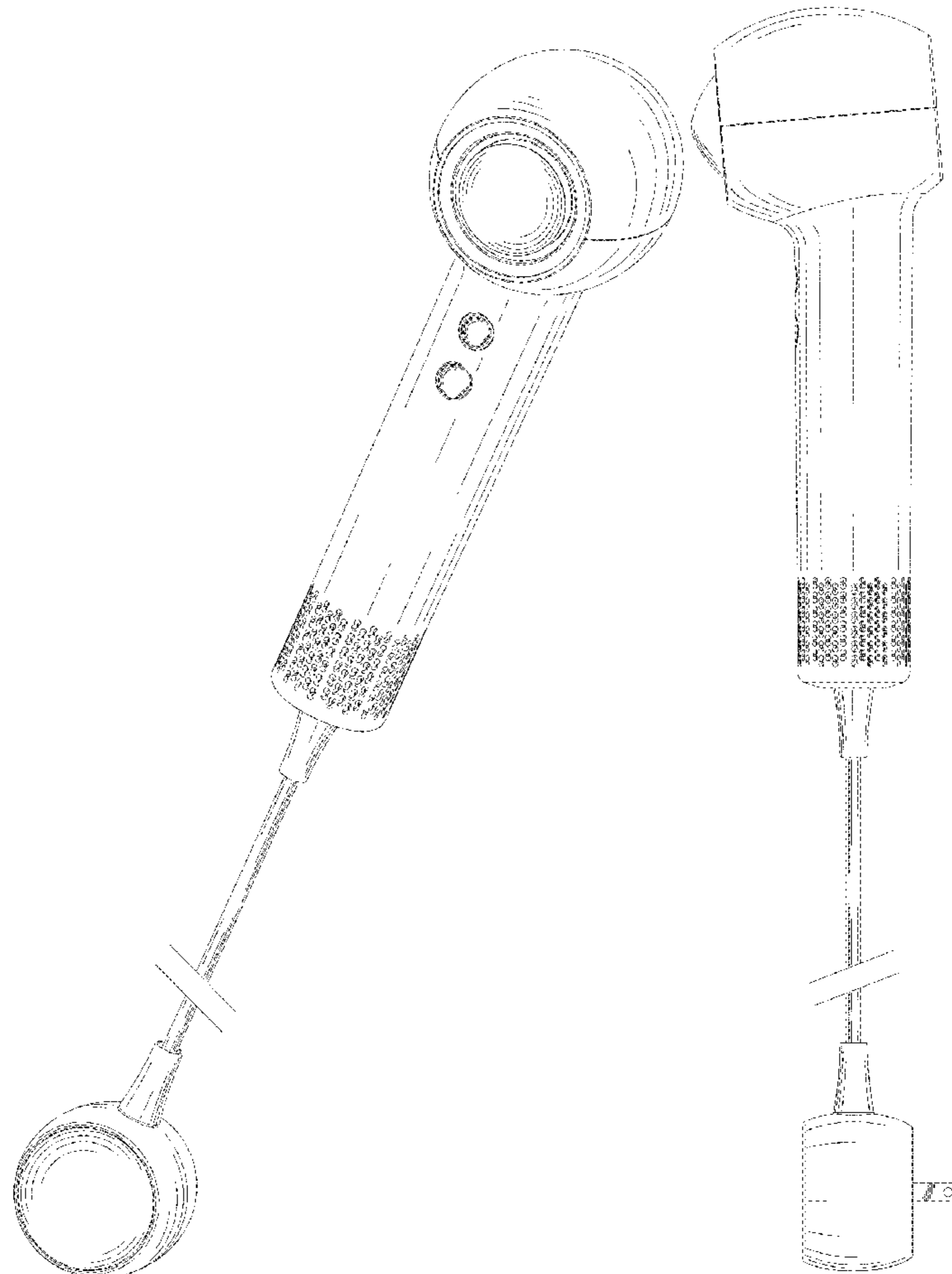
(57) **CLAIM**

The ornamental design for a hairdryer, as shown and described.

DESCRIPTION

FIG. 1 is a perspective view of a hairdryer showing my new design;
 FIG. 2 is another perspective view thereof;
 FIG. 3 is a front view thereof;
 FIG. 4 is a rear view thereof;
 FIG. 5 is a left side view thereof;
 FIG. 6 is a right side view thereof;
 FIG. 7 is a top plan view thereof; and,
 FIG. 8 is a bottom plan, view thereof.
 The broken away symbols in the drawings indicate the appearance of any portion of the hairdryer between the break lines forms no part of the claimed design.

1 Claim, 8 Drawing Sheets



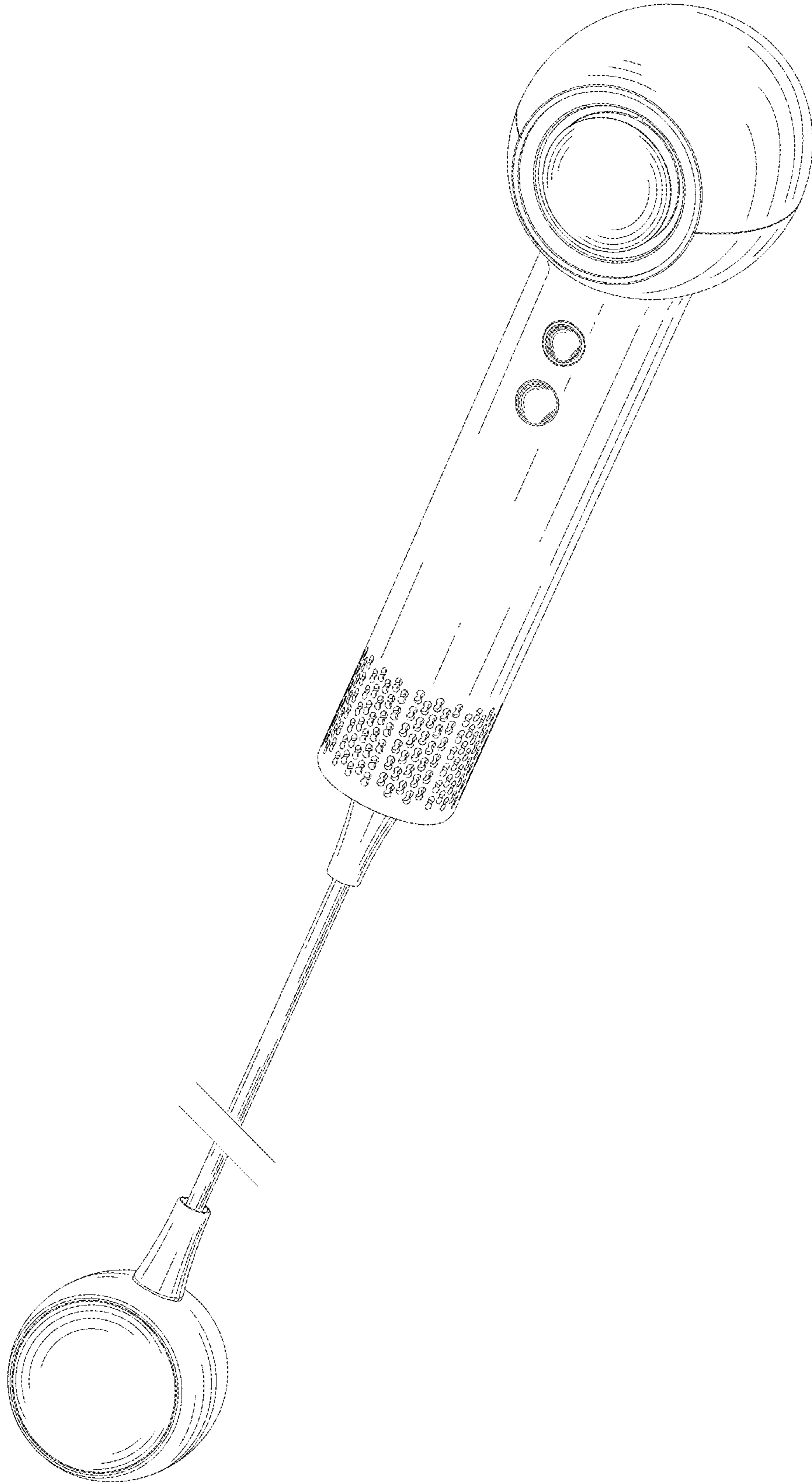


FIG. 1

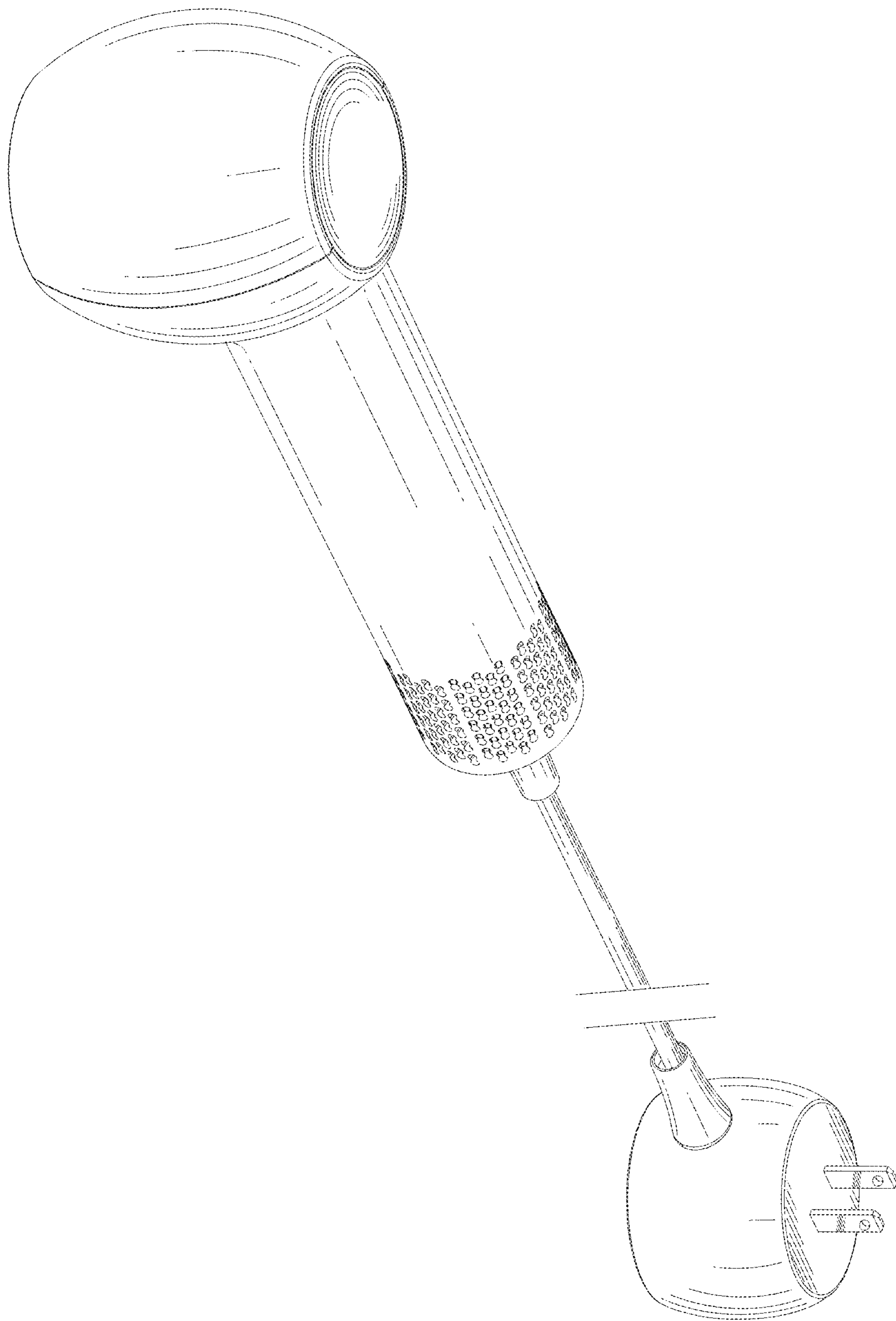


FIG. 2

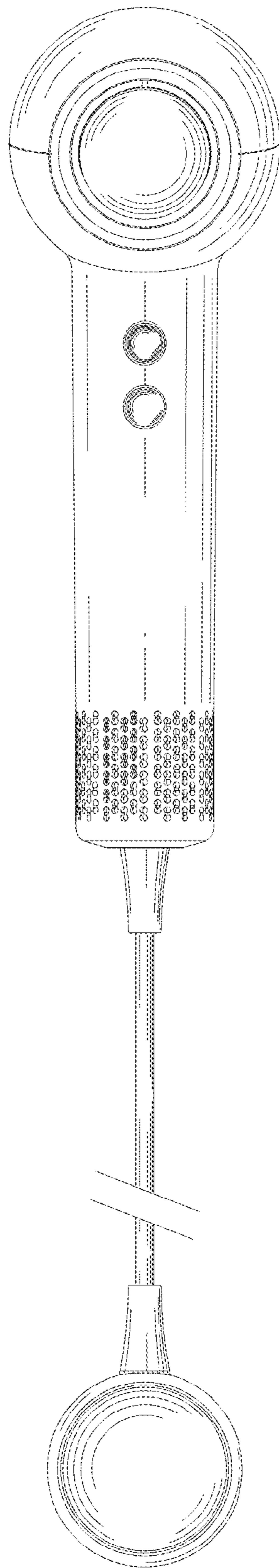


FIG. 3

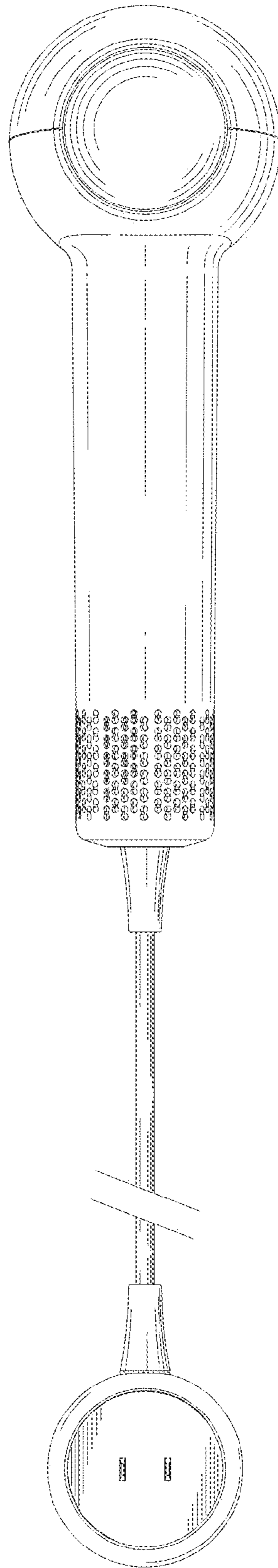


FIG. 4

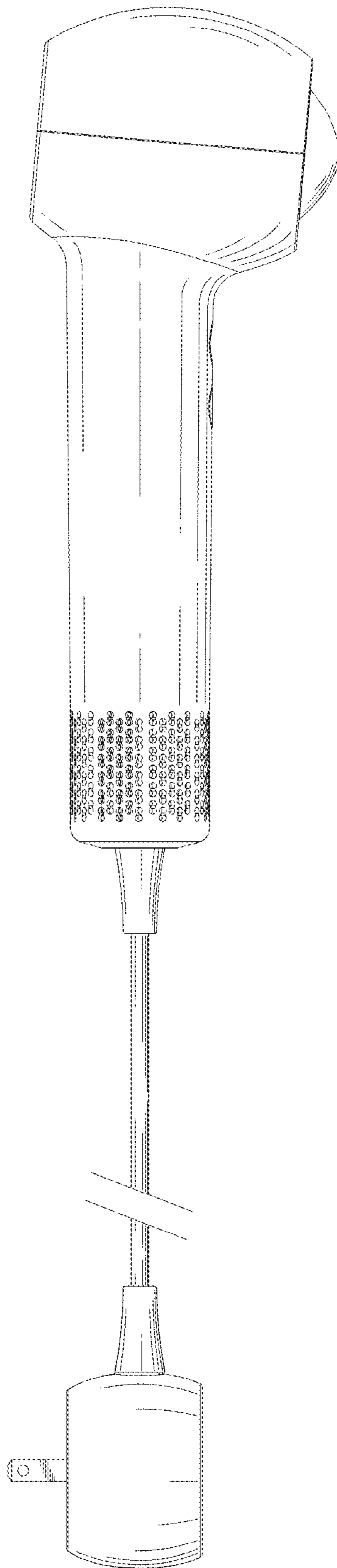


FIG. 5

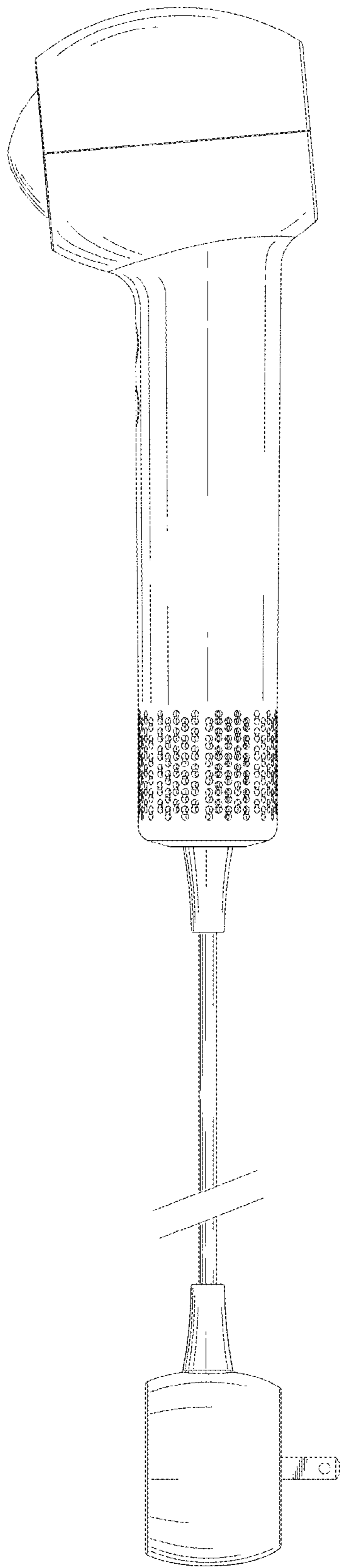


FIG. 6

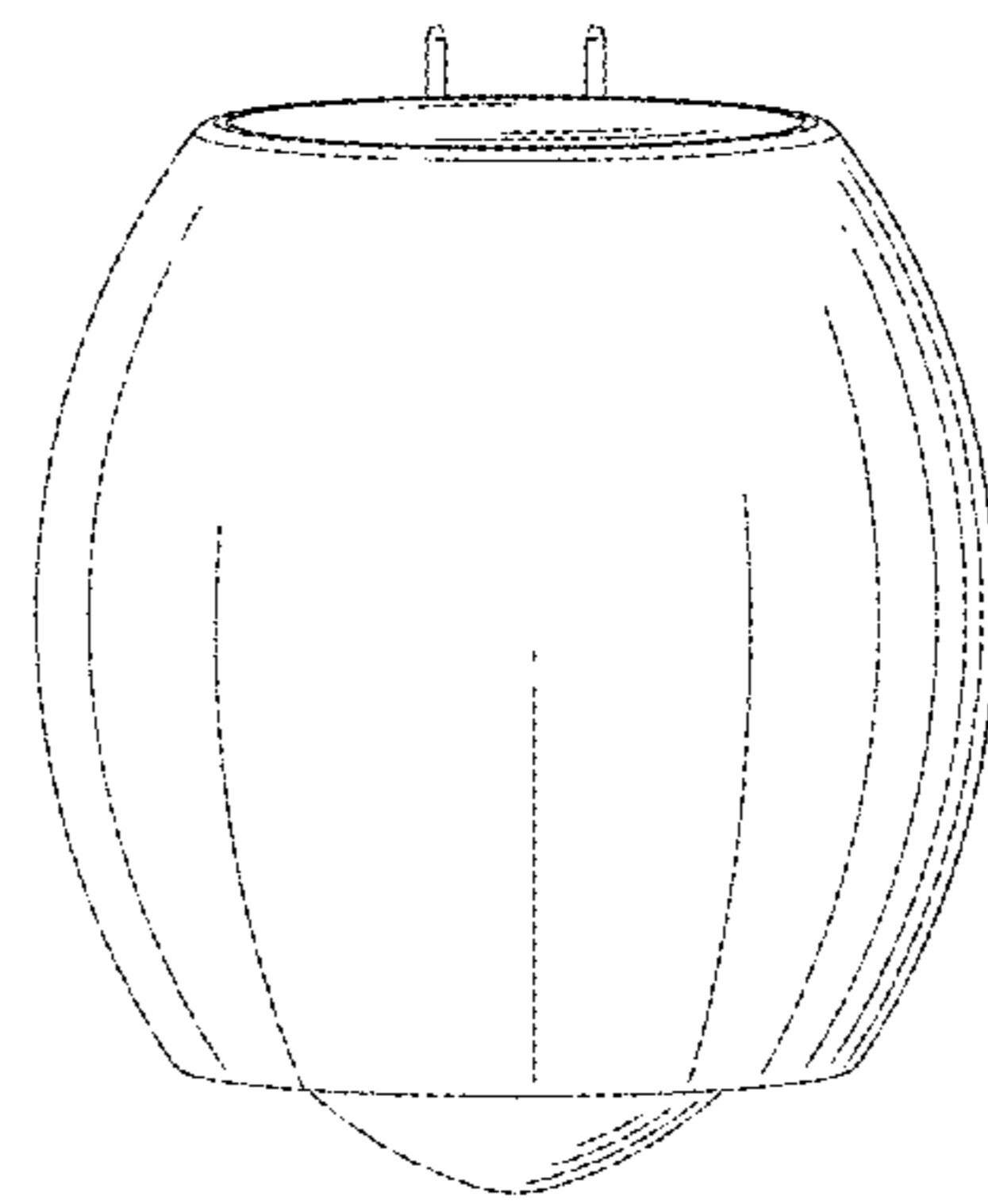


FIG. 7

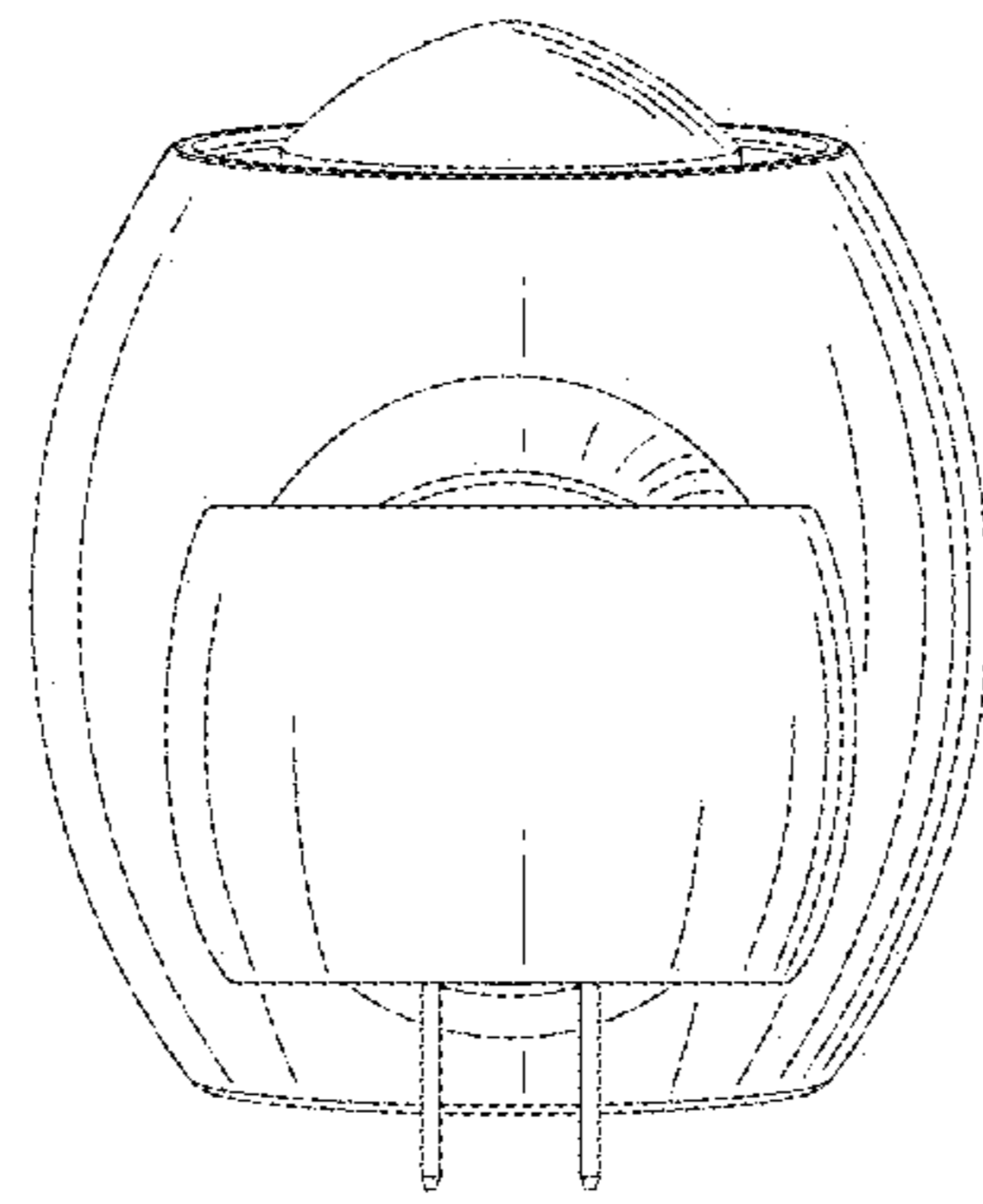


FIG. 8