



US00D899685S

(12) **United States Design Patent** (10) **Patent No.:** **US D899,685 S**  
**Lin** (45) **Date of Patent:** **\*\* Oct. 20, 2020**

(54) **HAIRDRYER**

(71) Applicant: **SHENZHEN WIZEVO TECHNOLOGY CO., LTD.**, Shenzhen (CN)

(72) Inventor: **Yuan Lin**, Shenzhen (CN)

(\*\*) Term: **15 Years**

(21) Appl. No.: **29/736,918**

(22) Filed: **Jun. 4, 2020**

(51) **LOC (12) Cl.** ..... **28-03**

(52) **U.S. Cl.**  
USPC ..... **D28/13**

(58) **Field of Classification Search**  
USPC ..... D28/12-19  
CPC ..... A45D 20/00; A45D 20/04; A45D 20/06;  
A45D 20/08; A45D 20/10; A45D 20/128  
See application file for complete search history.

(56) **References Cited**

**U.S. PATENT DOCUMENTS**

D372,336 S \* 7/1996 Kip ..... D28/18  
D757,362 S \* 5/2016 Dyson ..... D28/13  
D758,011 S \* 5/2016 Gammack ..... D28/13

10,226,112 B2 \* 3/2019 Kerr ..... A45D 20/04  
D849,320 S 5/2019 Park  
D866,067 S \* 11/2019 Thompson ..... D28/13  
D872,358 S \* 1/2020 Liao ..... D28/13  
D884,965 S 5/2020 Liu  
D890,426 S \* 7/2020 Liao ..... D28/13

\* cited by examiner

*Primary Examiner* — Zenia I Bennett

(74) *Attorney, Agent, or Firm* — Erson IP (Nelson IP)

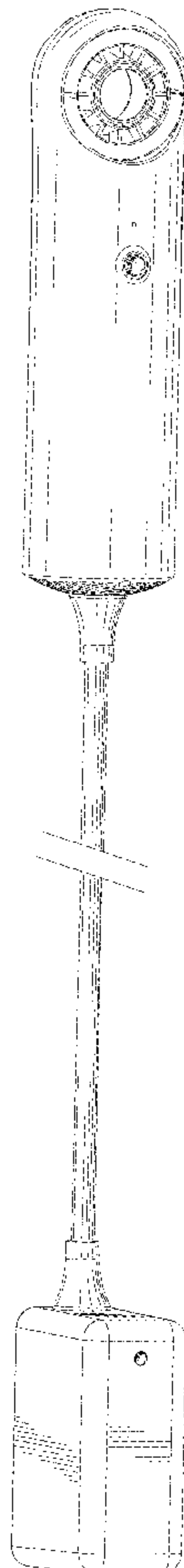
(57) **CLAIM**

The ornamental design for a hairdryer, as shown and described.

**DESCRIPTION**

FIG. 1 is a perspective view of a hairdryer showing my new design;  
FIG. 2 is another perspective view thereof;  
FIG. 3 is a front view thereof;  
FIG. 4 is a rear view thereof;  
FIG. 5 is a left side view thereof;  
FIG. 6 is a right side view thereof;  
FIG. 7 is a top plan view thereof; and,  
FIG. 8 is a bottom plan, view thereof.  
The broken away symbols in the drawings indicate the appearance of any portion of the hairdryer between the break lines forms no part of the claimed design.

**1 Claim, 8 Drawing Sheets**



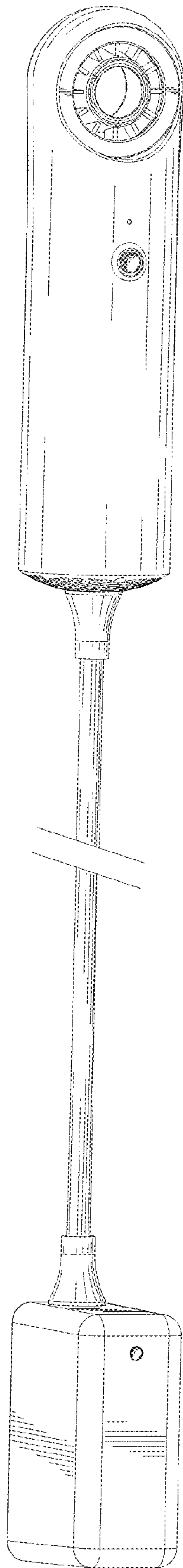


FIG. 1

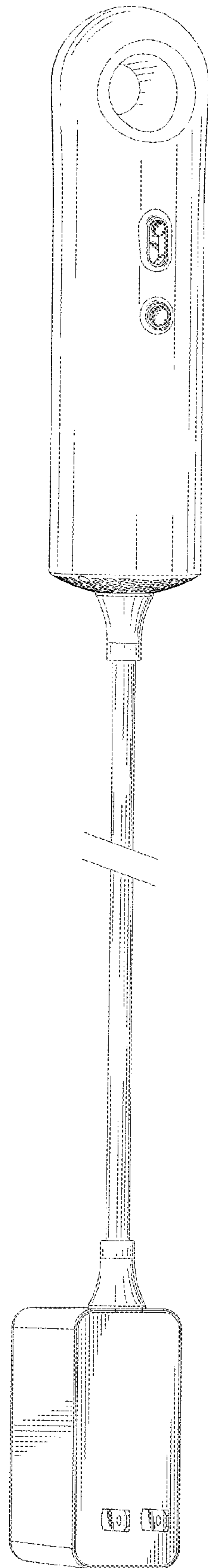


FIG. 2

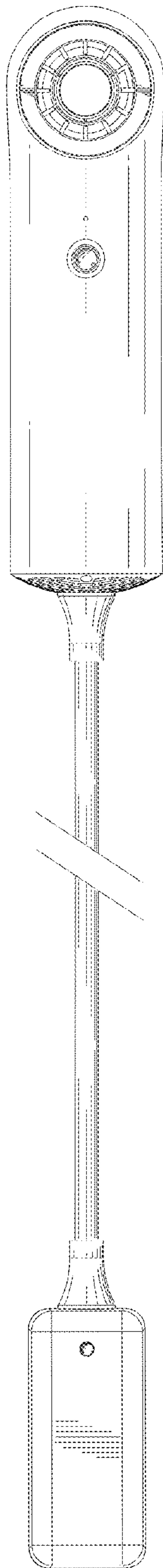


FIG. 3

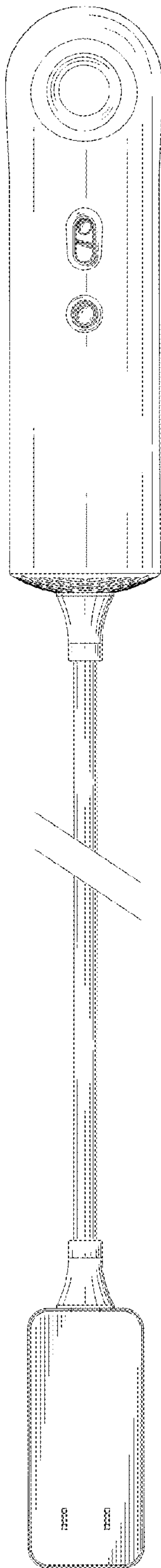


FIG. 4

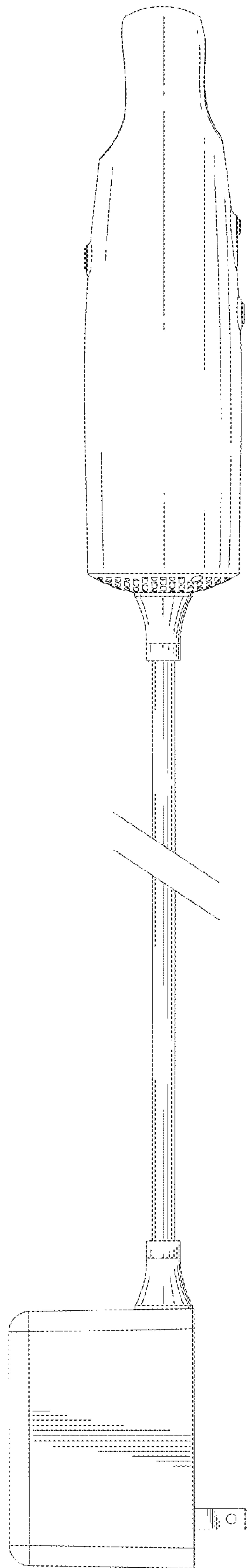


FIG. 5

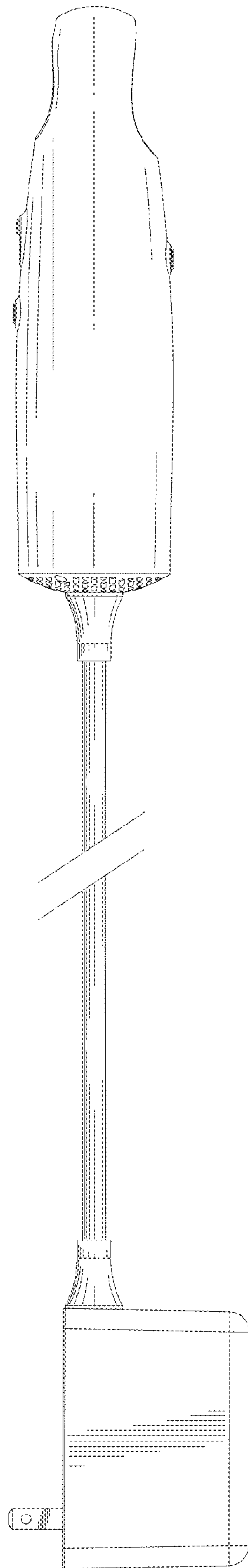


FIG. 6

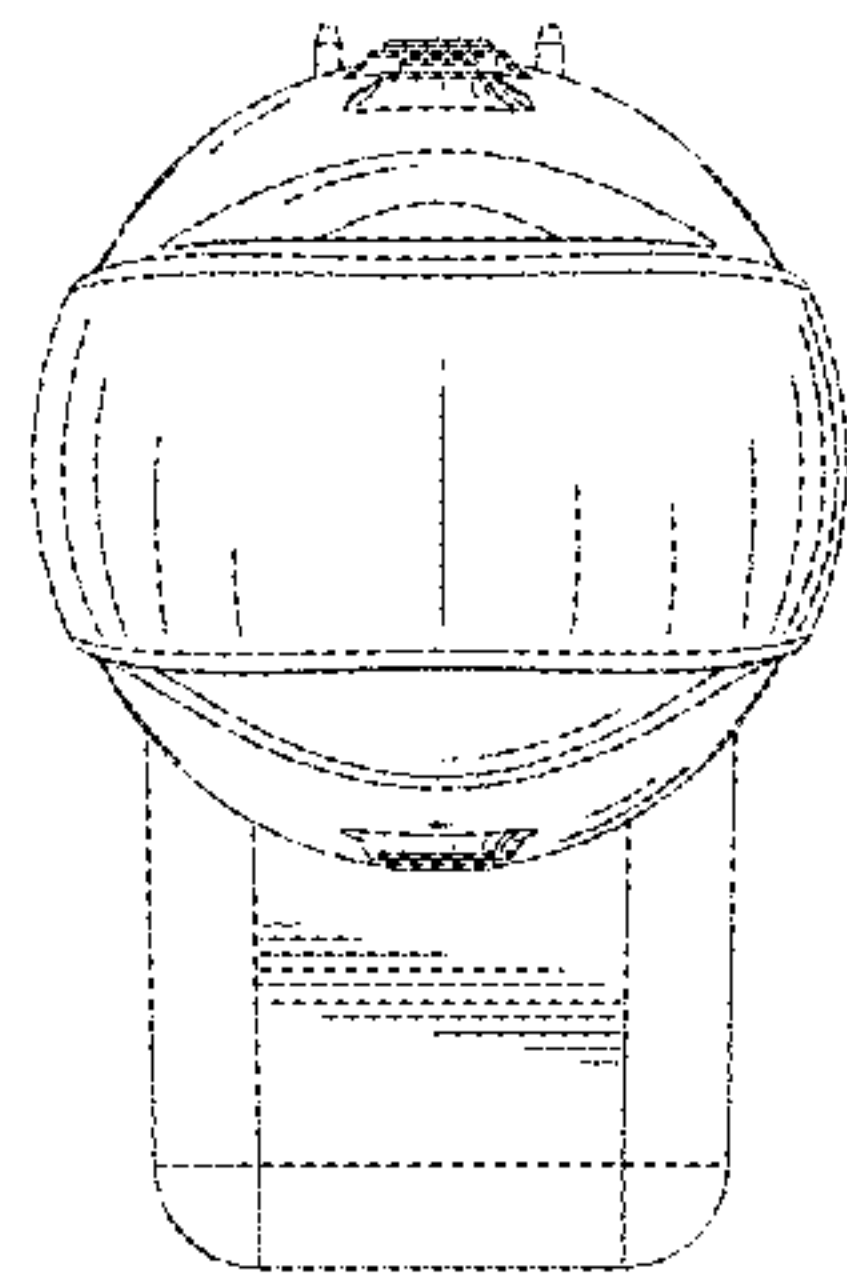


FIG. 7



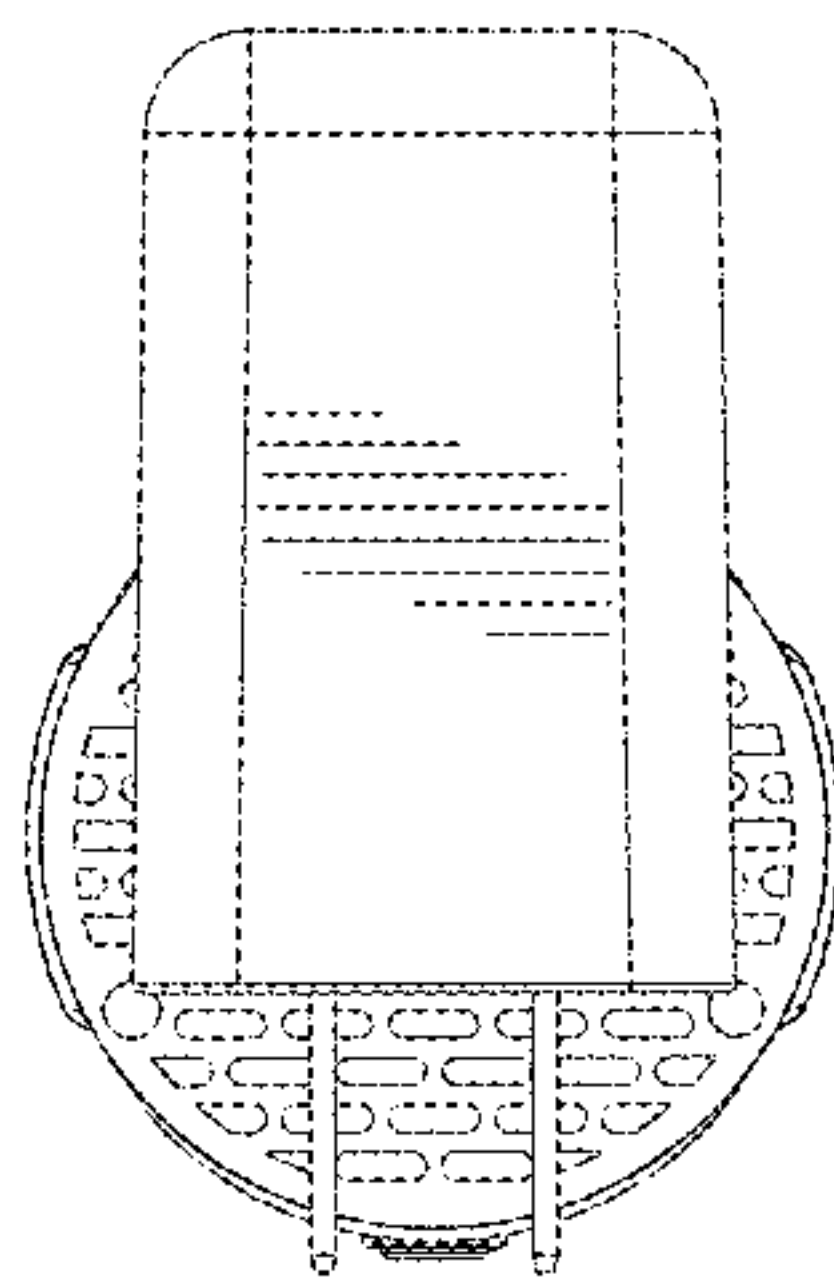


FIG. 8