

US00D899684S

(12) **United States Design Patent**
Chen et al.

(10) **Patent No.:** **US D899,684 S**
(45) **Date of Patent:** **** Oct. 20, 2020**

(54) **HAIR DRYER**
(71) Applicant: **SHENZHEN RUIPU XINKE ELECTRONICS CO., LTD.**, Shenzhen (CN)
(72) Inventors: **Bo Chen**, Ziyang (CN); **Rui Rong Ding**, Changzhou (CN)
(73) Assignee: **SHENZHEN RUIPU XINKE ELECTRONICS CO., LTD.**, Shenzhen (CN)

D350,413 S * 9/1994 Feil D28/13
D425,662 S * 5/2000 Cheung D28/13
D716,492 S * 10/2014 Dyson A45D 20/12
D28/13
D791,407 S * 7/2017 Smith D28/13
D850,717 S * 6/2019 Huang D28/13
D859,738 S * 9/2019 Huang D28/13
D861,246 S * 9/2019 Hsu D28/13
D884,965 S * 5/2020 Liu D28/13

* cited by examiner

Primary Examiner — Zenia I Bennett

(**) Term: **15 Years**
(21) Appl. No.: **29/707,579**
(22) Filed: **Sep. 30, 2019**

(57) **CLAIM**

The ornamental design for a hair dryer, as shown and described.

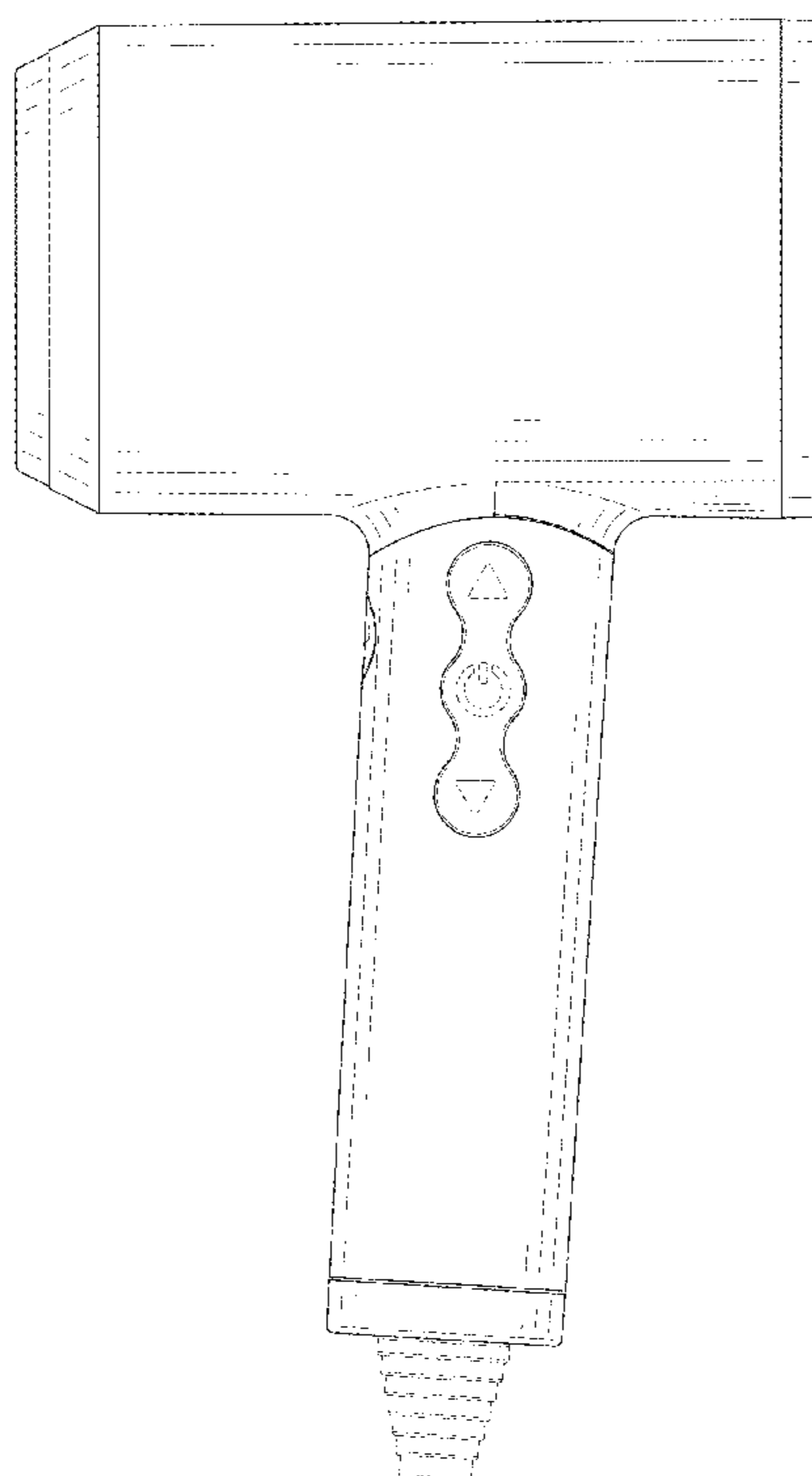
(30) **Foreign Application Priority Data**
Jul. 19, 2019 (CN) 2019 3 0385272
(51) **LOC (12) Cl.** **28-03**
(52) **U.S. Cl.**
USPC **D28/13**
(58) **Field of Classification Search**
USPC D28/12-19
CPC A45D 20/04; A45D 20/06; A45D 20/08;
A45D 20/10; A45D 20/128
See application file for complete search history.

DESCRIPTION

FIG. 1 is a perspective view of a hair dryer showing my new design;
FIG. 2 is another perspective view thereof;
FIG. 3 is a front elevational view thereof;
FIG. 4 is a rear elevational view thereof;
FIG. 5 is a left side elevational view thereof;
FIG. 6 is a right side elevational view thereof;
FIG. 7 is a top plan view thereof;
FIG. 8 is a bottom plan view thereof;
FIG. 9 is an enlarged view of portion 9 shown in FIG. 1; and,
FIG. 10 is an enlarged view of portion 10 shown in FIG. 2.
The broken lines in the drawings depict portions of the hair dryer that form no part of the claimed design.

(56) **References Cited**
U.S. PATENT DOCUMENTS
D262,062 S * 11/1981 Nagelkerke D28/13
D265,767 S * 8/1982 Stewart D28/13

1 Claim, 10 Drawing Sheets



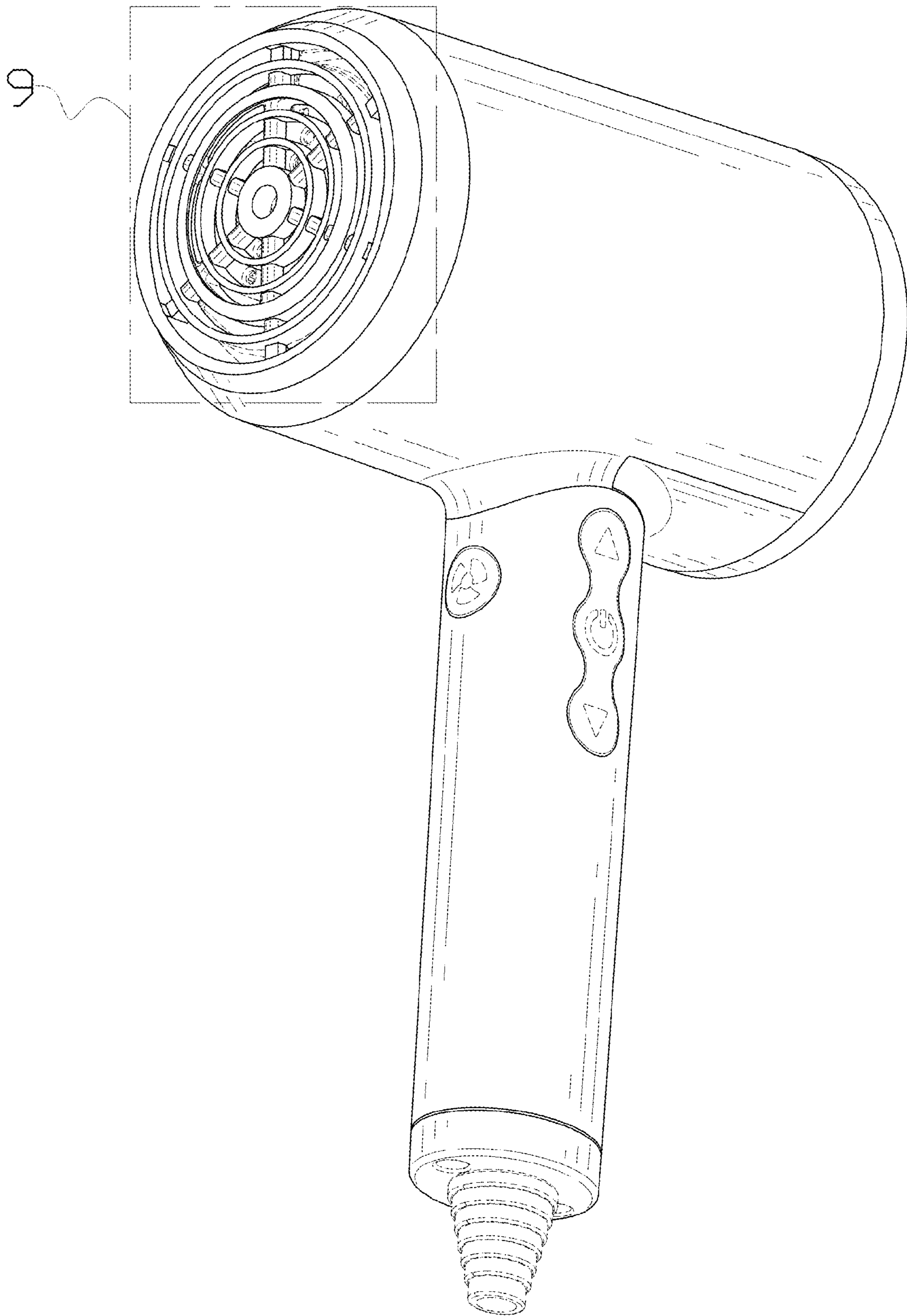


FIG. 1

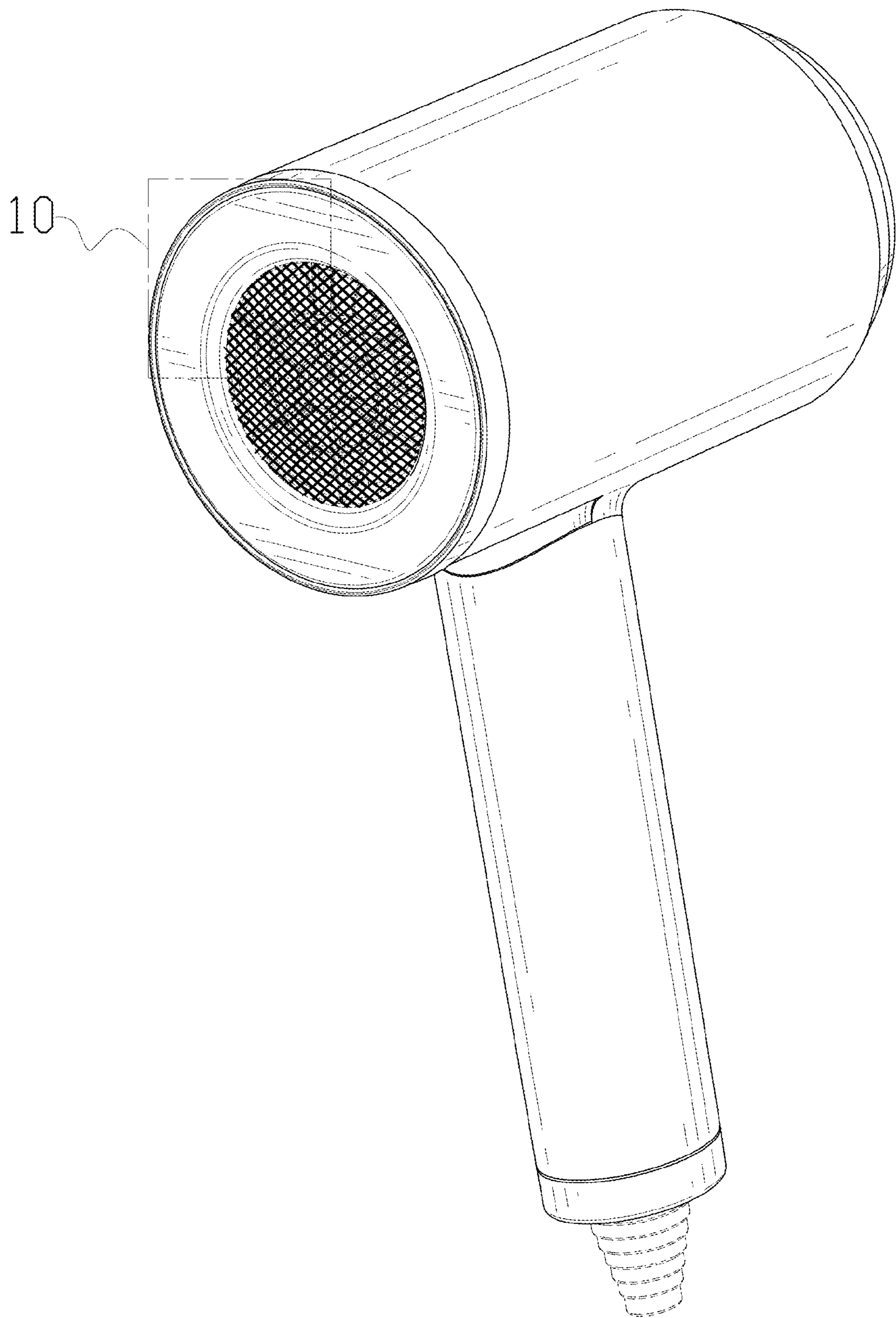


FIG. 2

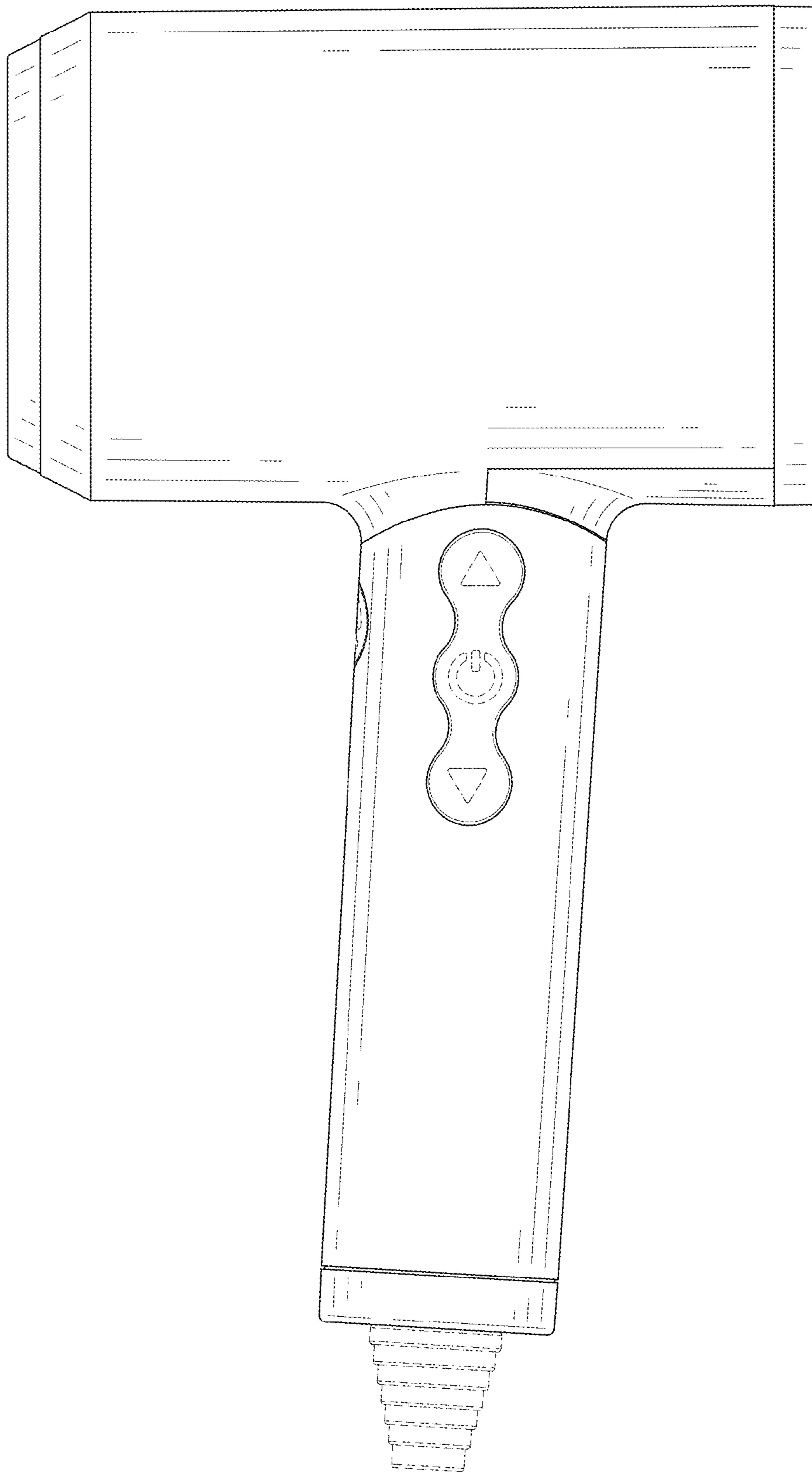


FIG. 3

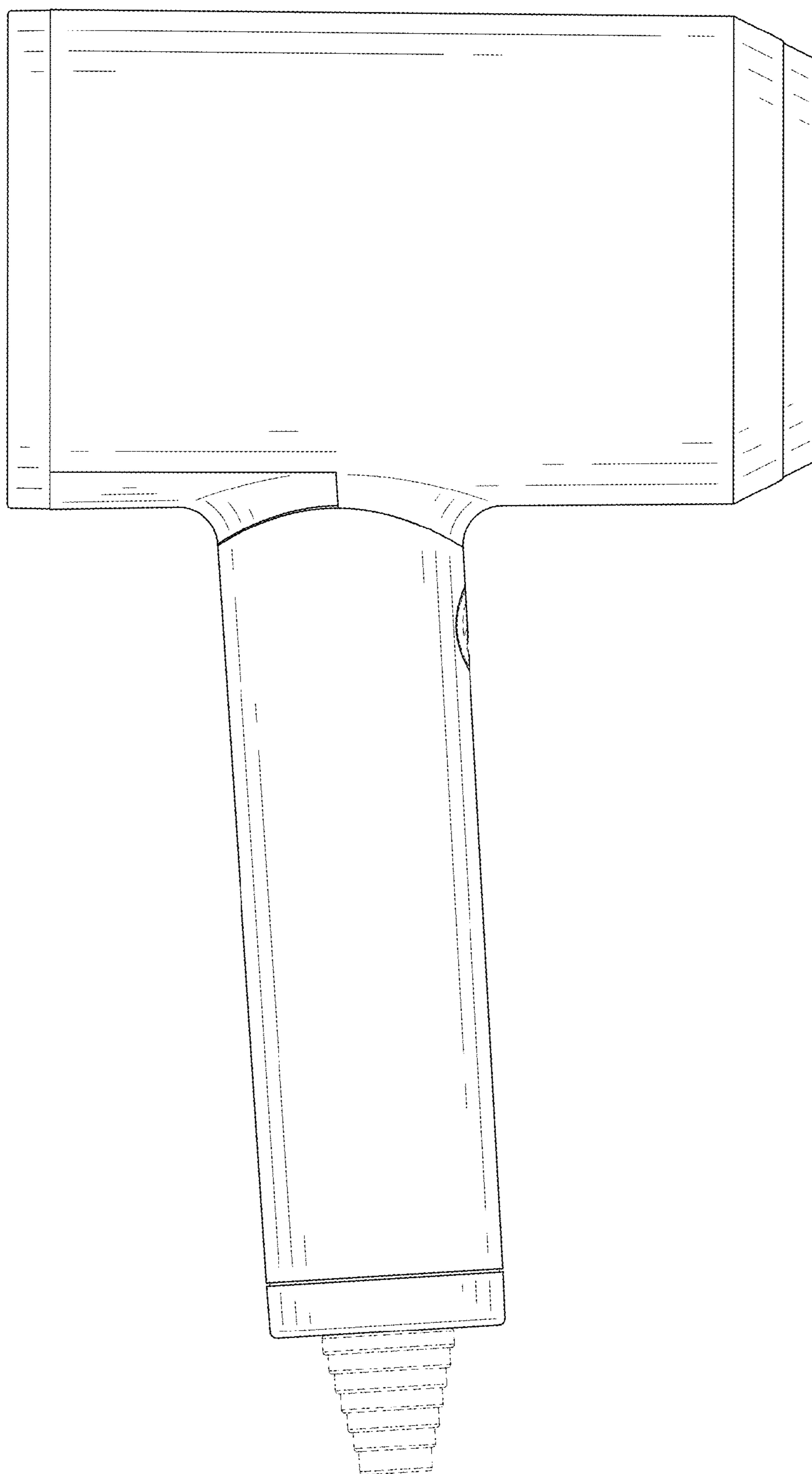


FIG. 4

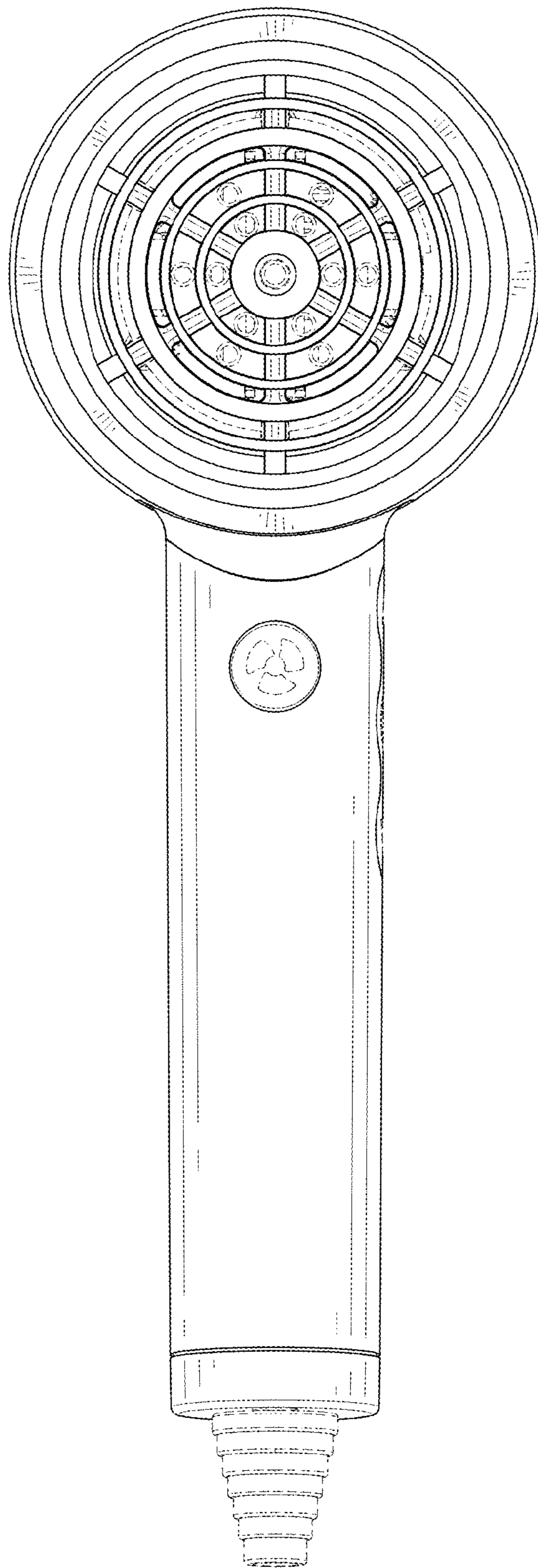


FIG. 5

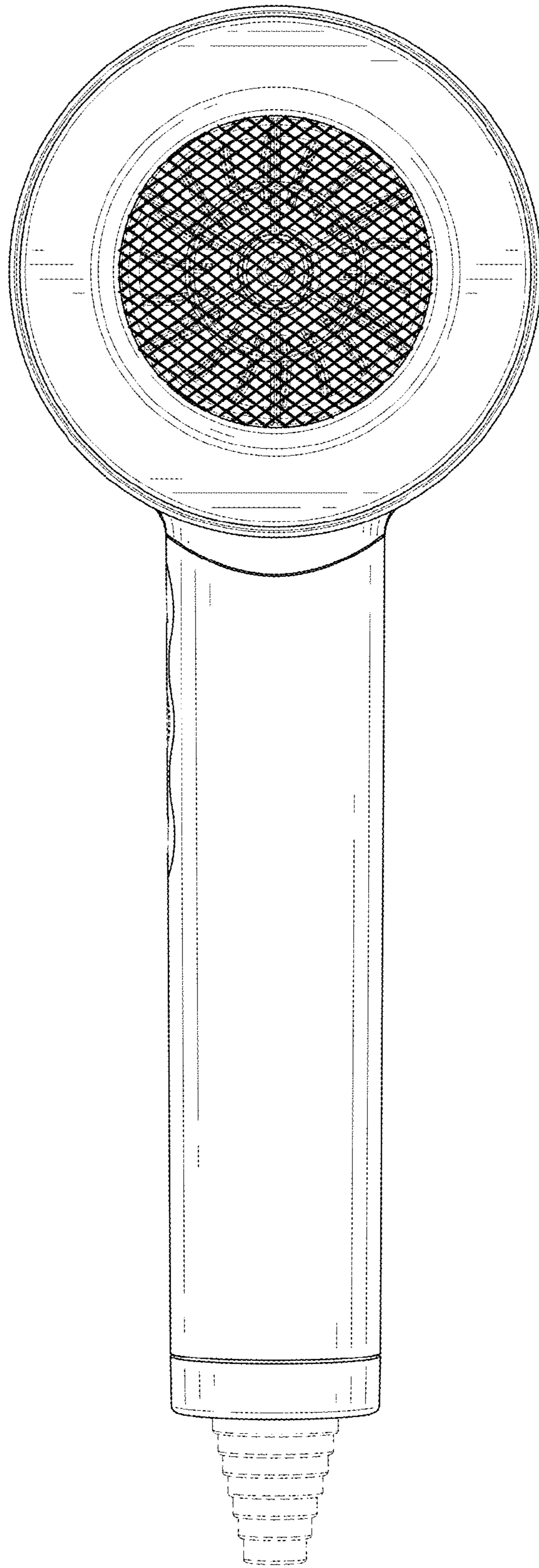


FIG. 6

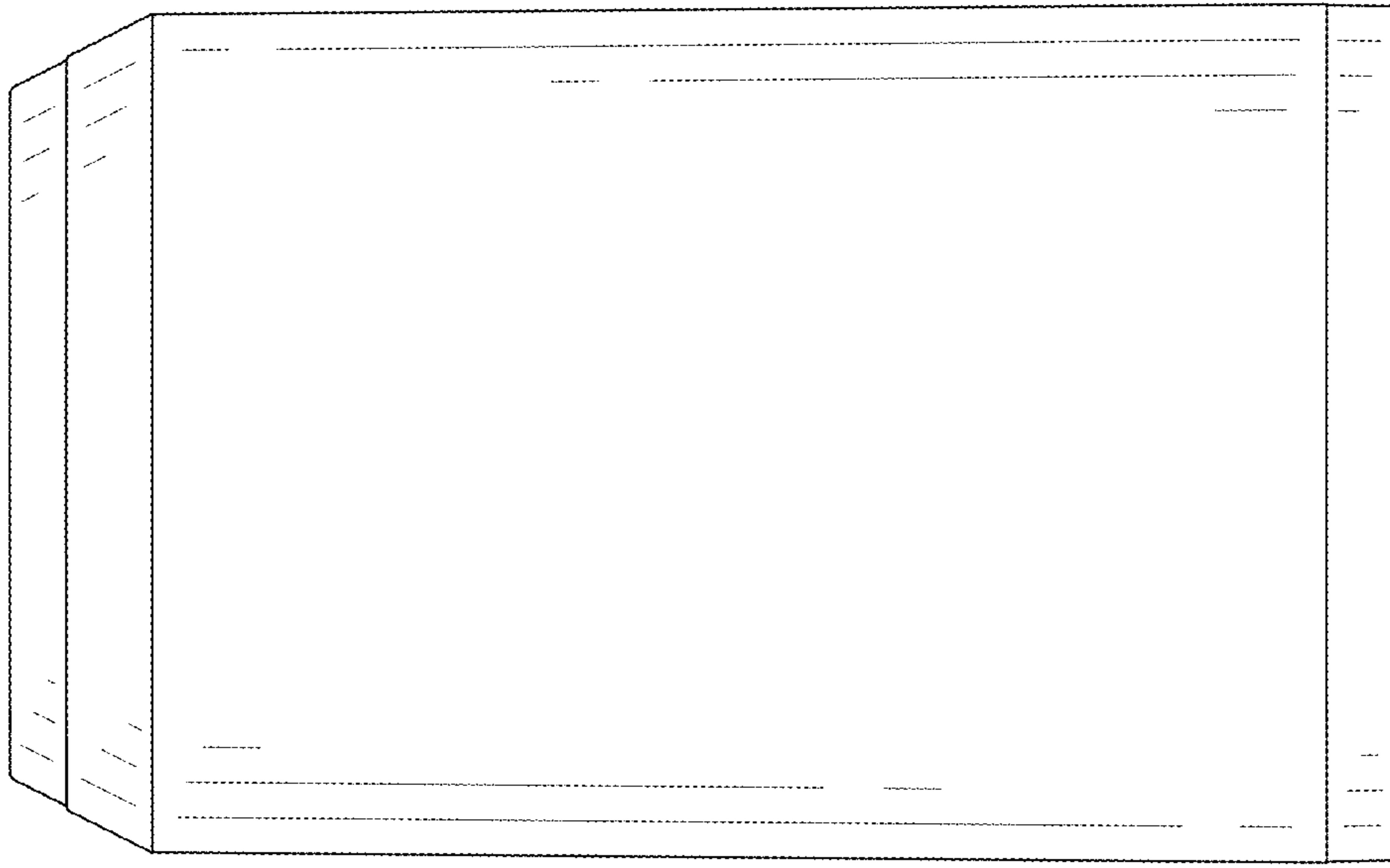


FIG. 7

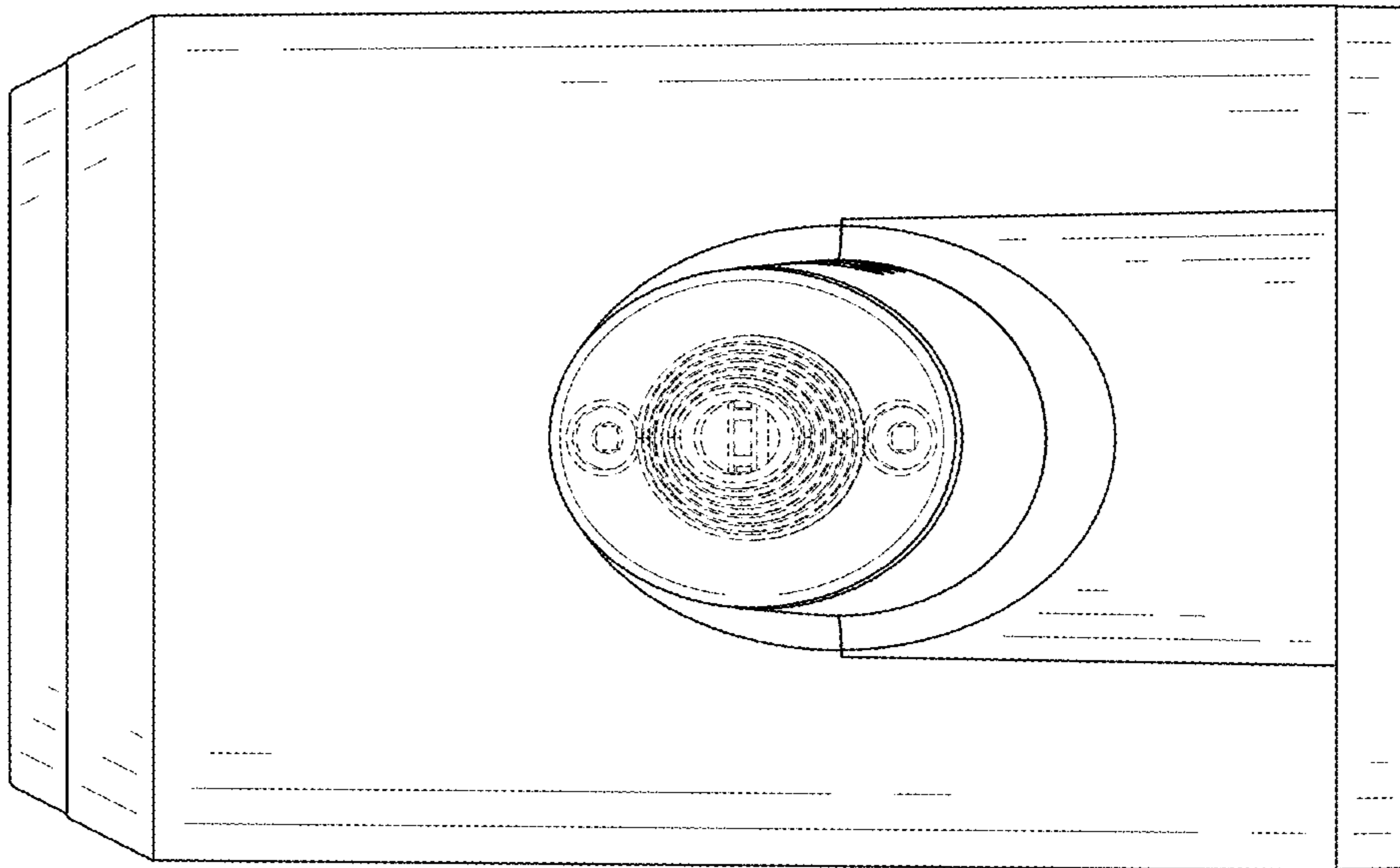


FIG. 8

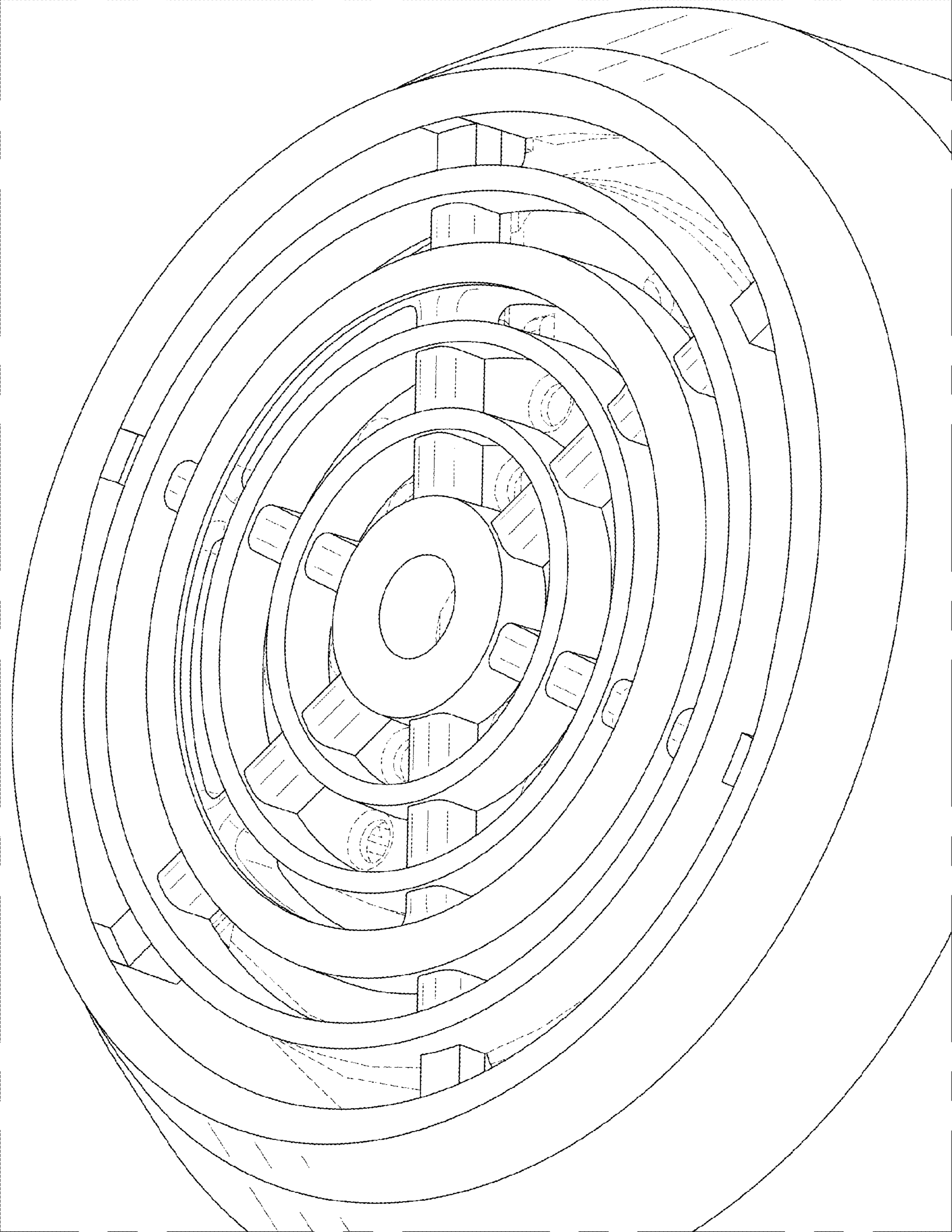


FIG. 9

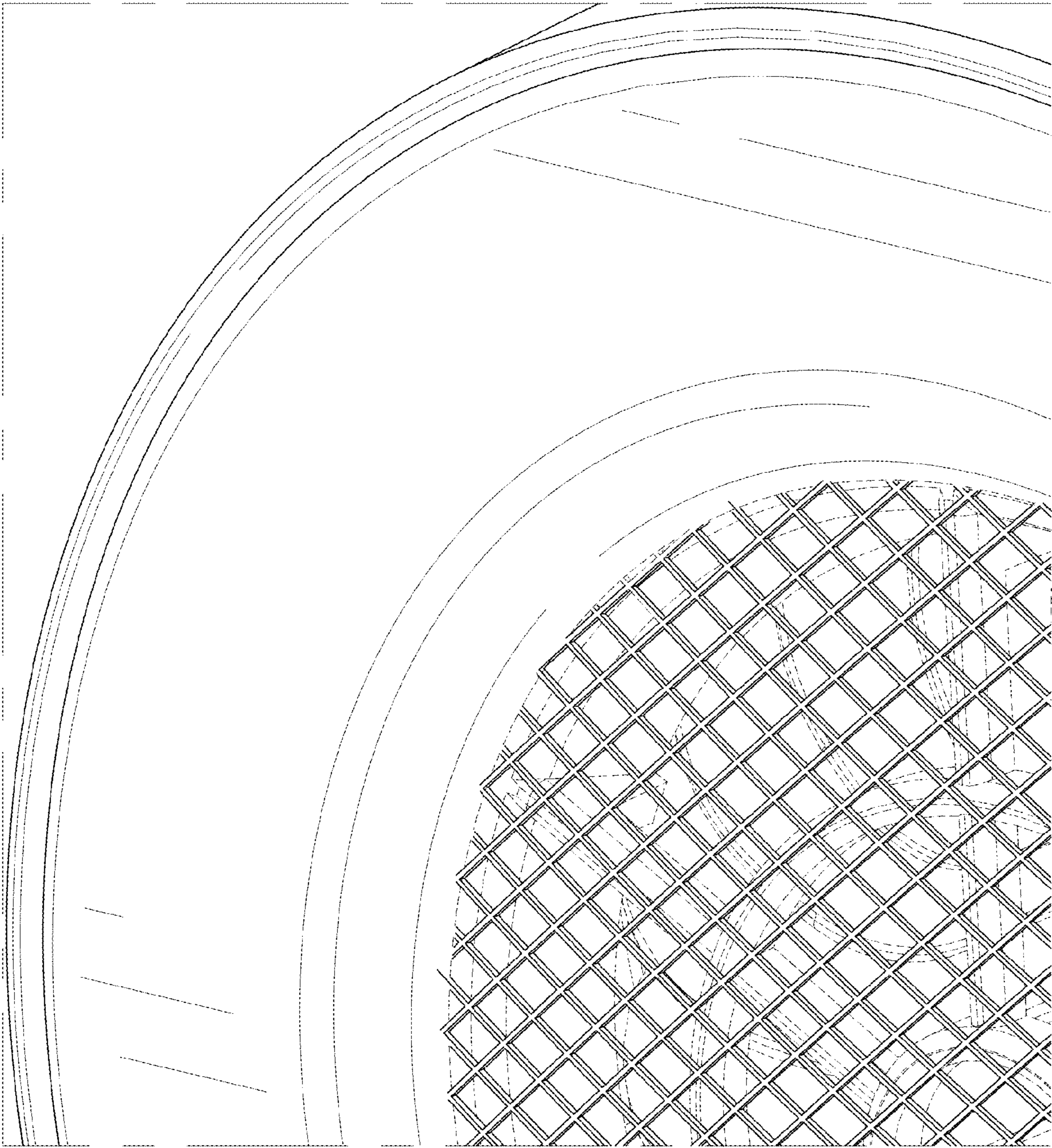


FIG. 10