



US00D899683S

(12) **United States Design Patent**  
**Brady et al.**

(10) **Patent No.:** **US D899,683 S**

(45) **Date of Patent:** **\*\* Oct. 20, 2020**

(54) **DRYER**

(71) Applicant: **JEMELLA GROUP LIMITED**, Leeds (GB)

(72) Inventors: **Daniel Brady**, Berkshire (GB); **Simon Kirby**, Milton Keynes (GB); **Adam Stone**, Richmond (GB)

(73) Assignee: **JEMELLA GROUP LIMITED**, Leeds (GB)

(\*\*) Term: **15 Years**

(21) Appl. No.: **29/694,995**

(22) Filed: **Jun. 14, 2019**

(30) **Foreign Application Priority Data**

Feb. 13, 2019 (EM) ..... 006243168-0005

Feb. 13, 2019 (EM) ..... 006243168-0006

(51) **LOC (12) Cl.** ..... **28-03**

(52) **U.S. Cl.**  
USPC ..... **D28/13**

(58) **Field of Classification Search**  
USPC ..... D28/12-19  
CPC ..... A45D 20/00; A45D 20/10; A45D 20/12;  
A45D 20/18  
See application file for complete search history.

(56) **References Cited**

**U.S. PATENT DOCUMENTS**

D462,140 S \* 8/2002 Watanabe ..... D28/13  
D580,594 S \* 11/2008 Leung ..... D28/13

D603,094 S \* 10/2009 Piard ..... D28/13  
D672,496 S \* 12/2012 Julemont ..... D28/13  
D676,195 S \* 2/2013 Julemont ..... D28/13  
D717,490 S \* 11/2014 Sayers ..... A45D 20/12  
D28/13  
D758,657 S \* 6/2016 Hary ..... D28/13  
D773,118 S \* 11/2016 Soresina ..... D28/13  
D841,881 S \* 2/2019 Lee ..... D28/13  
D849,320 S \* 5/2019 Park ..... D28/13

\* cited by examiner

*Primary Examiner* — Zenia I Bennett

(74) *Attorney, Agent, or Firm* — Stephen J. Weyer, Esq.;  
Stites & Harbison, PLLC

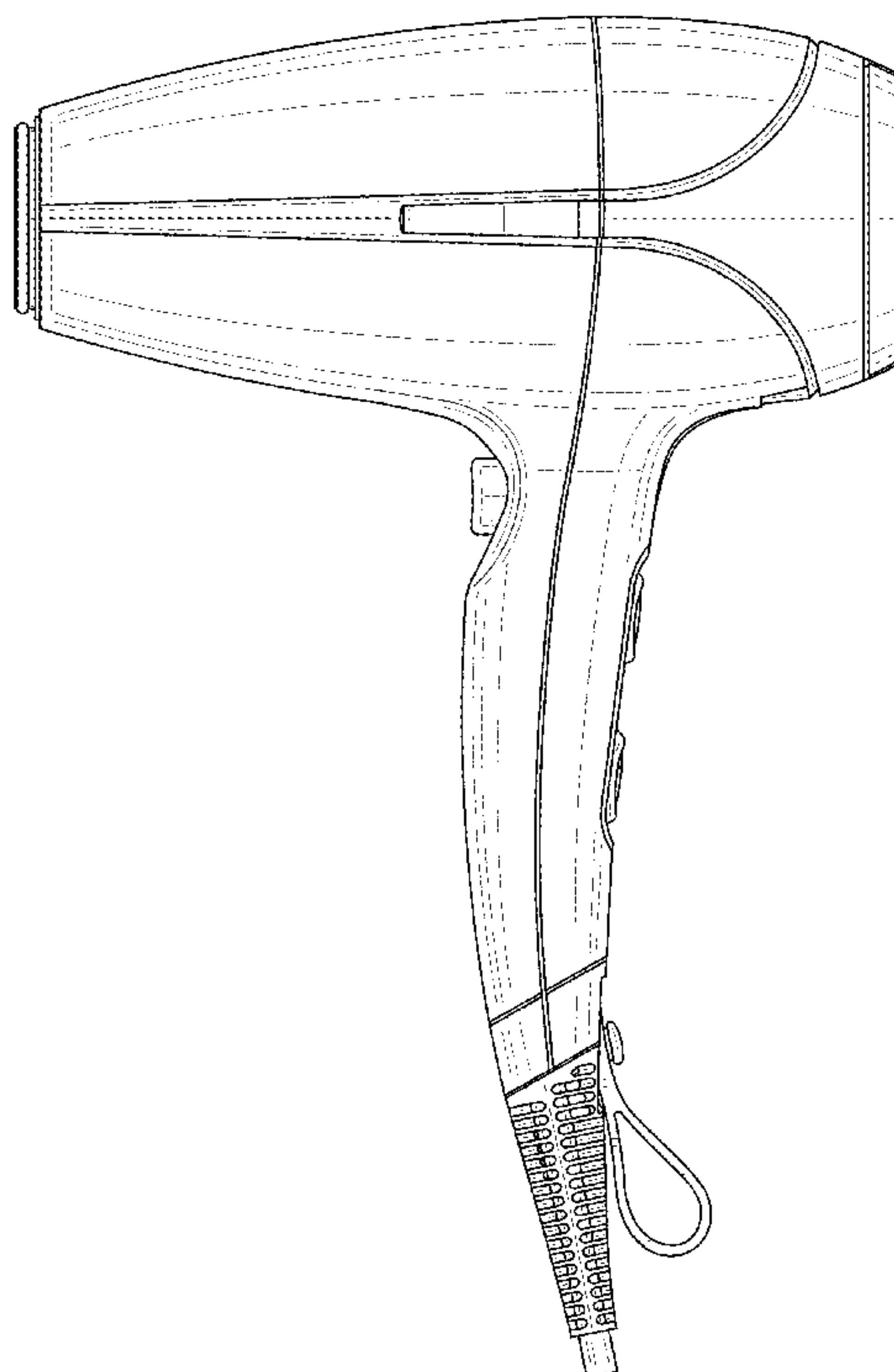
(57) **CLAIM**

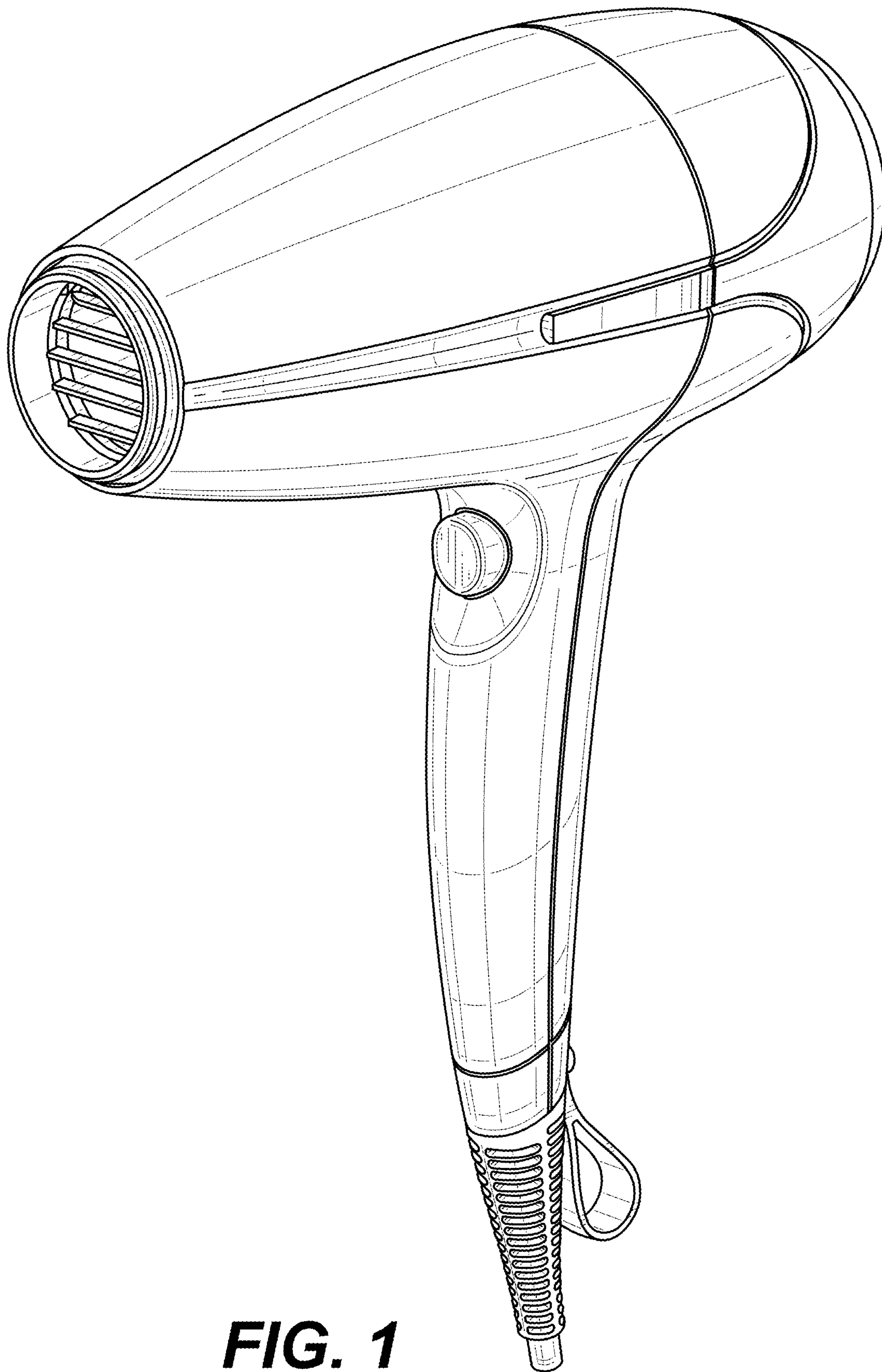
The ornamental design for a dryer, as shown and described.

**DESCRIPTION**

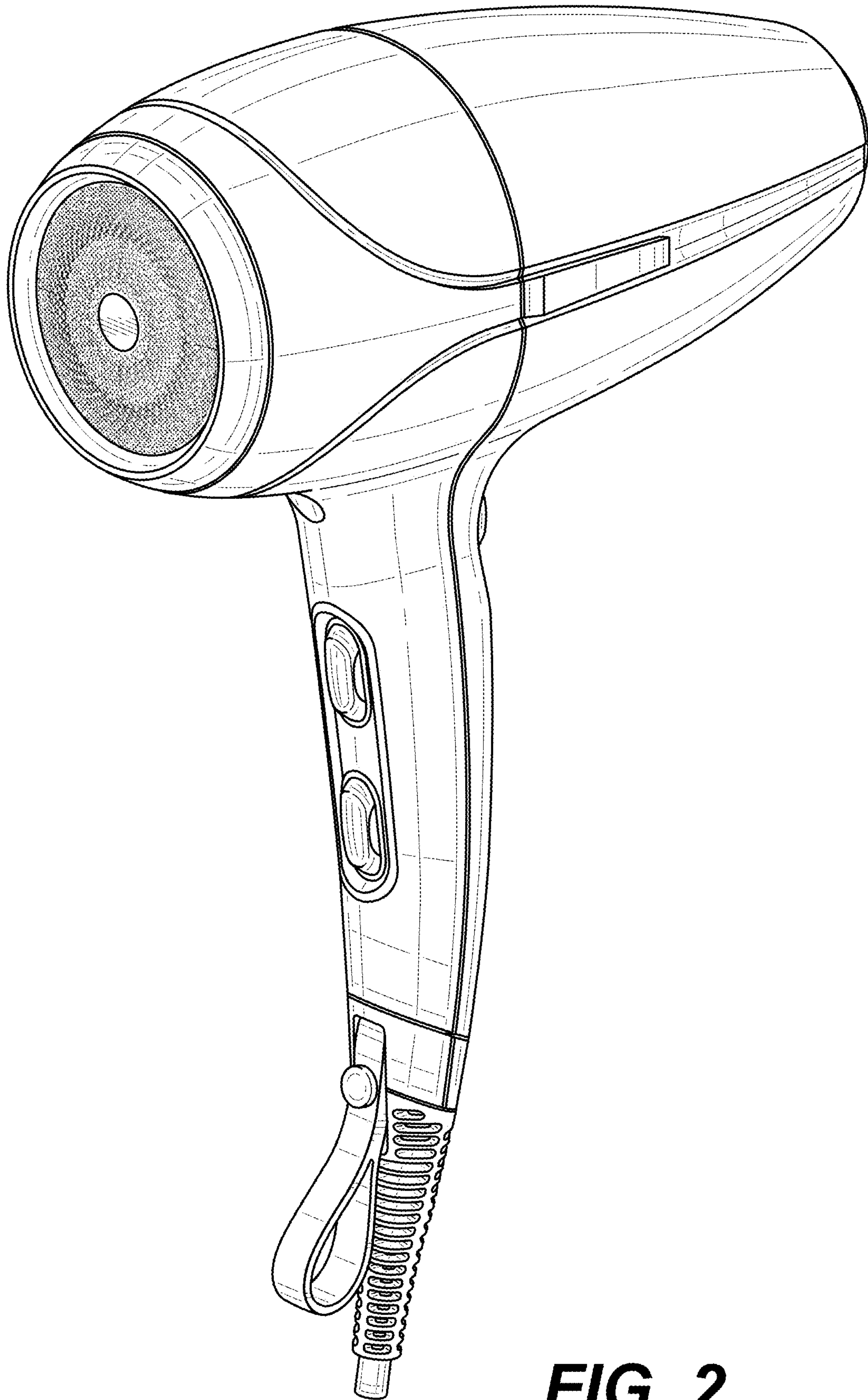
FIG. 1 is a front, left side and top side perspective view of the dryer of our design.  
FIG. 2 is a rear, right side and top side perspective view thereof.  
FIG. 3 is a front elevation view thereof.  
FIG. 4 is a rear elevation view thereof.  
FIG. 5 is a left side elevation view thereof.  
FIG. 6 is a right side elevation view thereof.  
FIG. 7 is a top plan view thereof; and,  
FIG. 8 is a bottom plan view thereof.

**1 Claim, 8 Drawing Sheets**



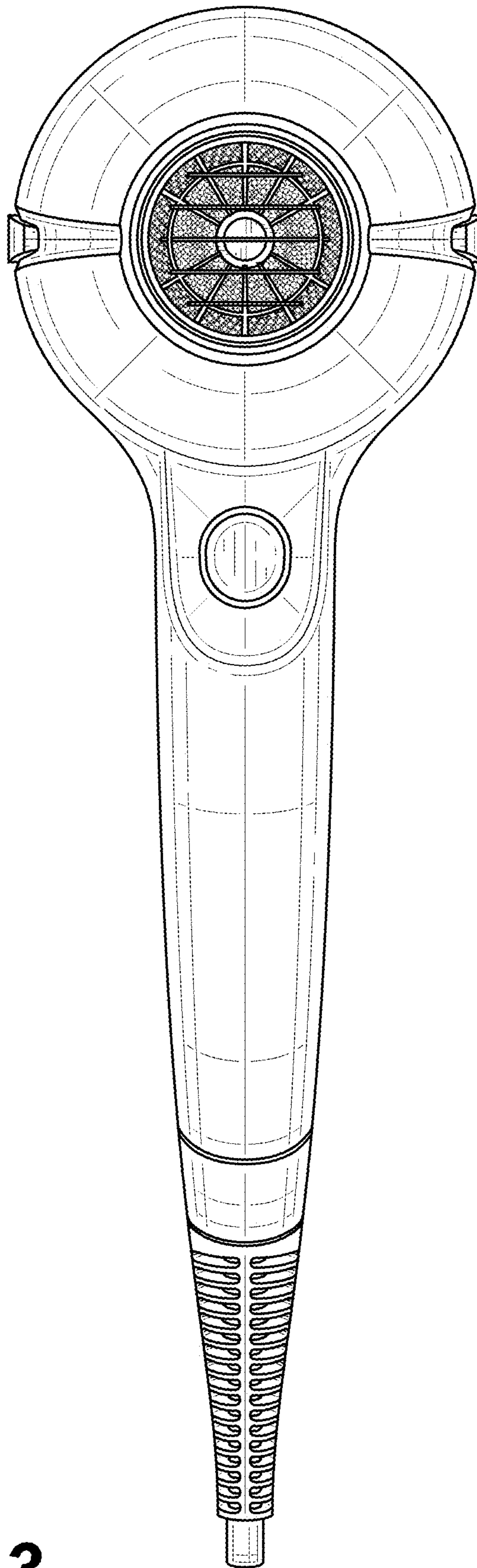


**FIG. 1**

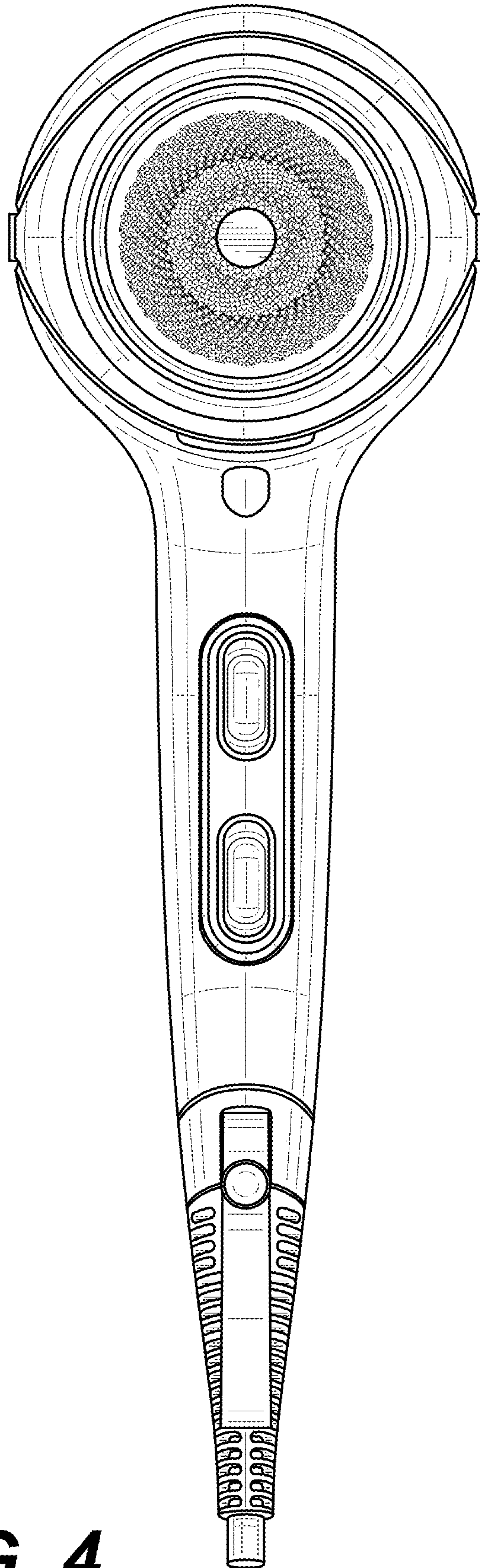


**FIG. 2**

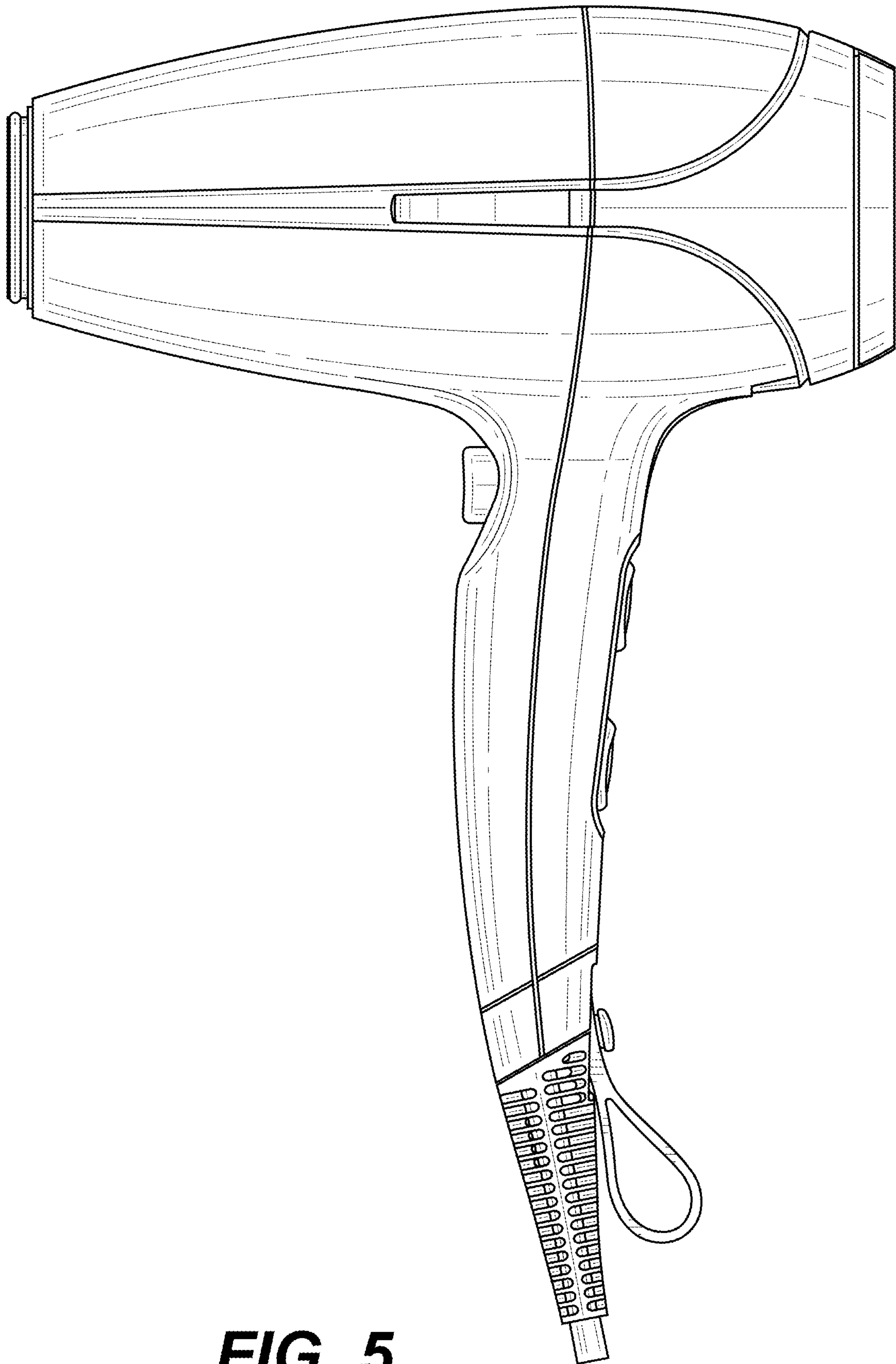




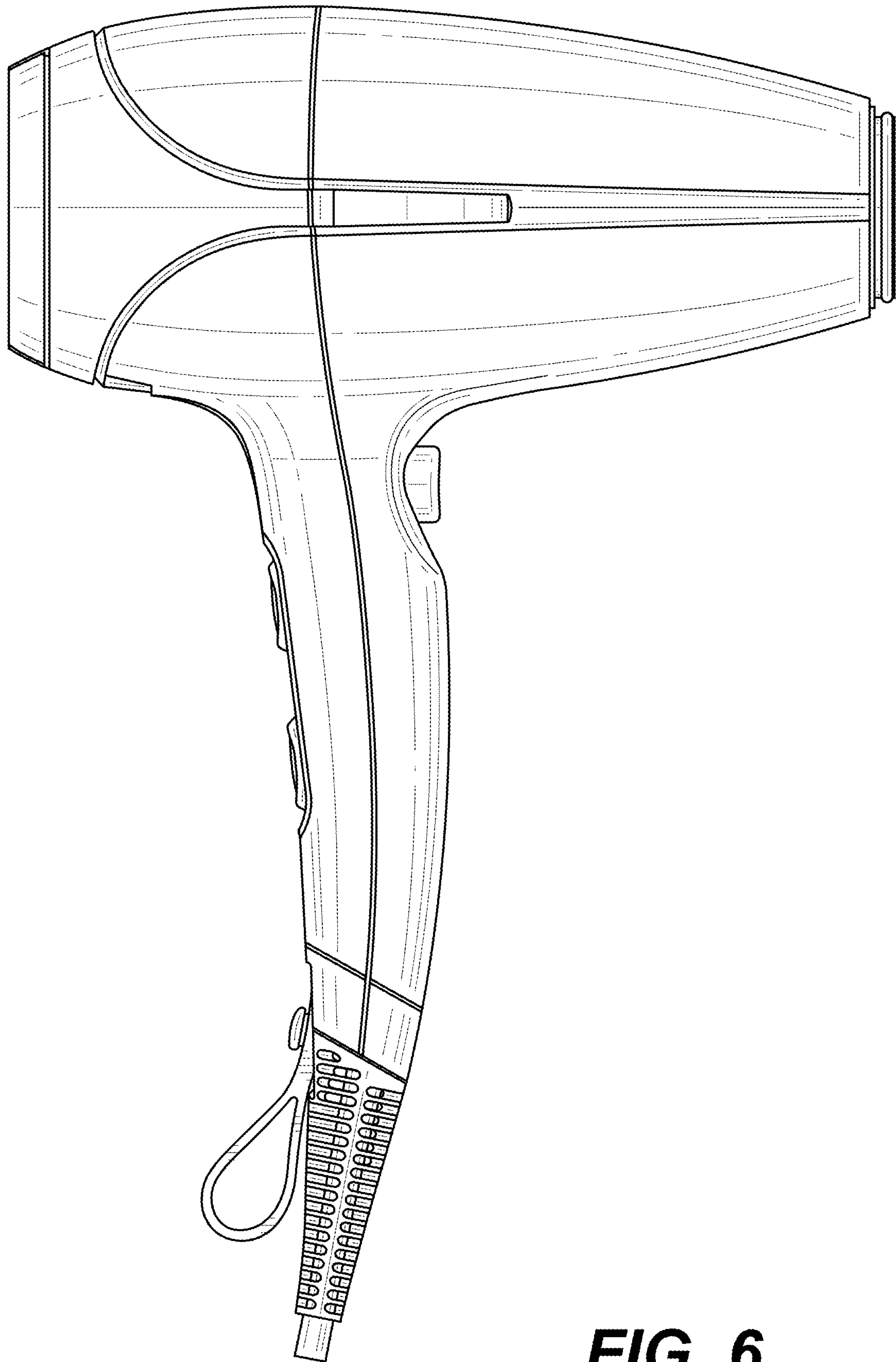
**FIG. 3**



**FIG. 4**

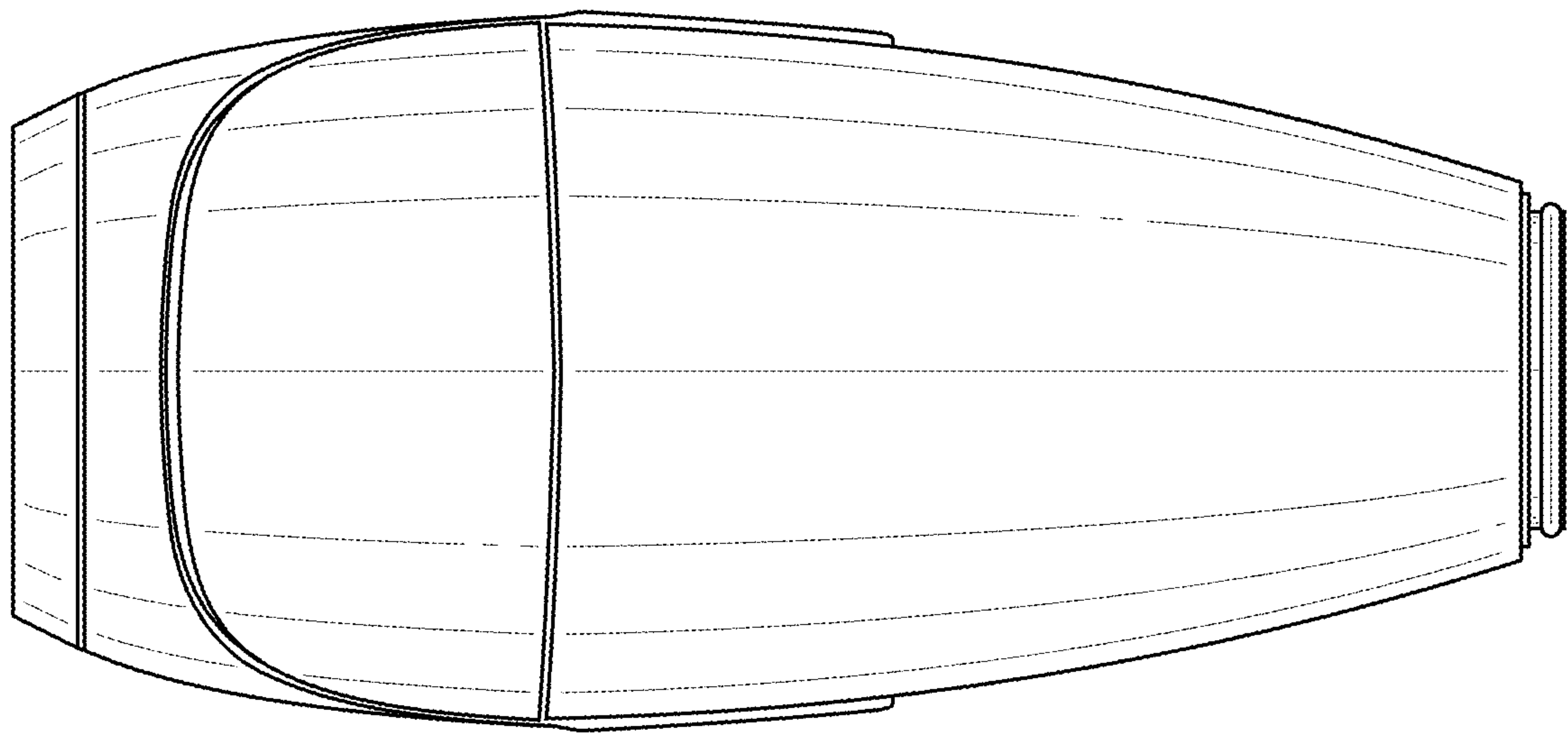


**FIG. 5**



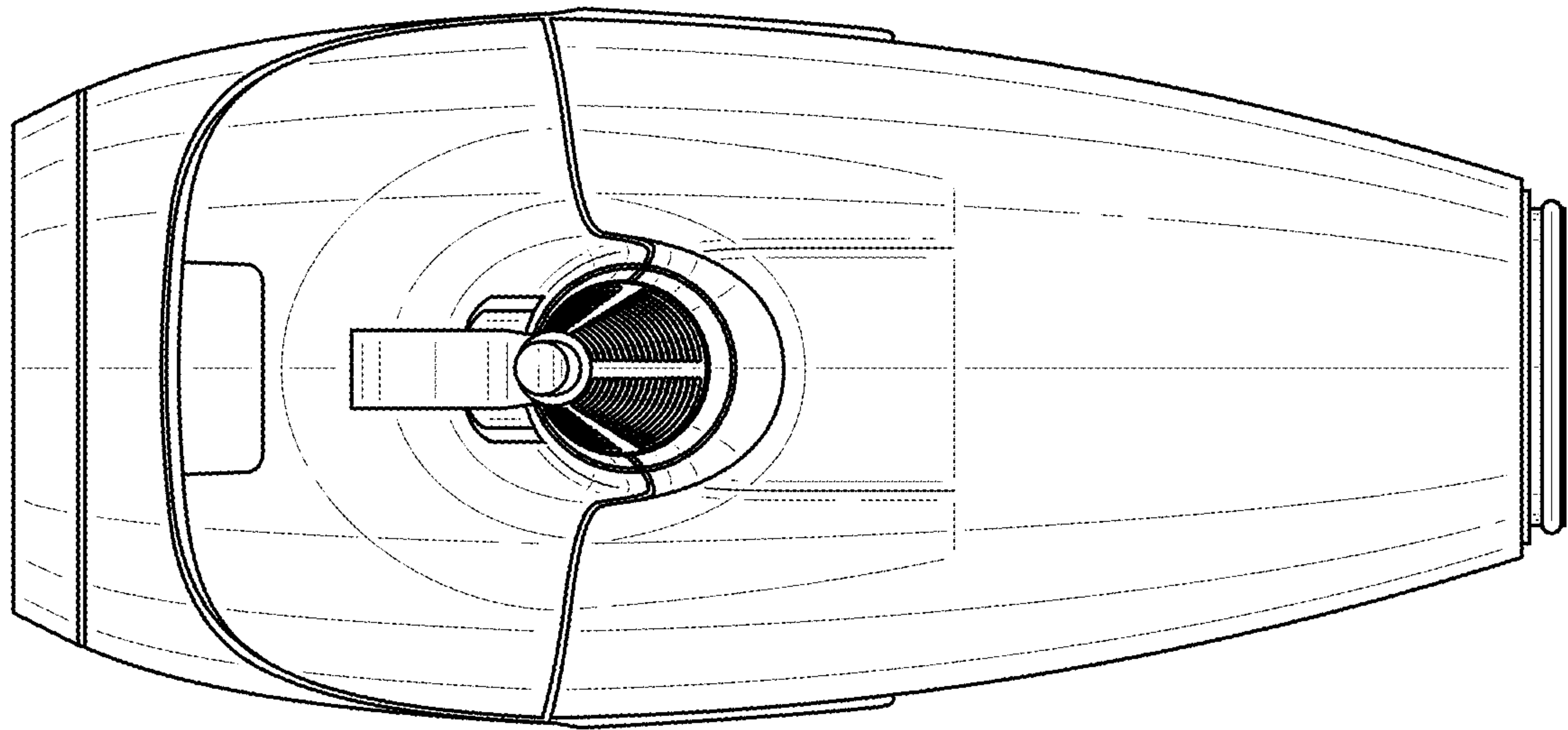
**FIG. 6**





**FIG. 7**





**FIG. 8**