



US00D899678S

(12) **United States Design Patent** (10) **Patent No.:** **US D899,678 S**
Liu (45) **Date of Patent:** **** Oct. 20, 2020**

(54) **ELECTRONIC CIGARETTE**
(71) Applicant: **Tuanfang Liu**, Shenzhen (CN)
(72) Inventor: **Tuanfang Liu**, Shenzhen (CN)
(**) Term: **15 Years**
(21) Appl. No.: **29/692,031**
(22) Filed: **May 22, 2019**
(51) **LOC (12) Cl.** **27-02**
(52) **U.S. Cl.**
USPC **D27/162**
(58) **Field of Classification Search**
USPC D27/162, 100, 101, 163-165, 172, 183,
D27/185-194; D24/110, 110.5;
128/202.21, 203.12; 131/273, 274, 270,
131/191, 328, 329, 330, 360-365
CPC A24F 47/002; A24F 47/006; A24F 47/008;
A61M 15/00; A61M 15/06
See application file for complete search history.

D874,059 S * 1/2020 Bailey D27/162
D875,306 S * 2/2020 Pan D27/167
D877,976 S * 3/2020 Ding D27/162
D881,457 S * 4/2020 Ouyang D27/162
D881,459 S * 4/2020 Ouyang D27/162

* cited by examiner

Primary Examiner — Marissa J Cash
Assistant Examiner — Rebecca Tsehaye
(74) *Attorney, Agent, or Firm* — Matthias Scholl P.C.;
Matthias Scholl

(57) **CLAIM**

The ornamental design for an electronic cigarette, as shown and described.

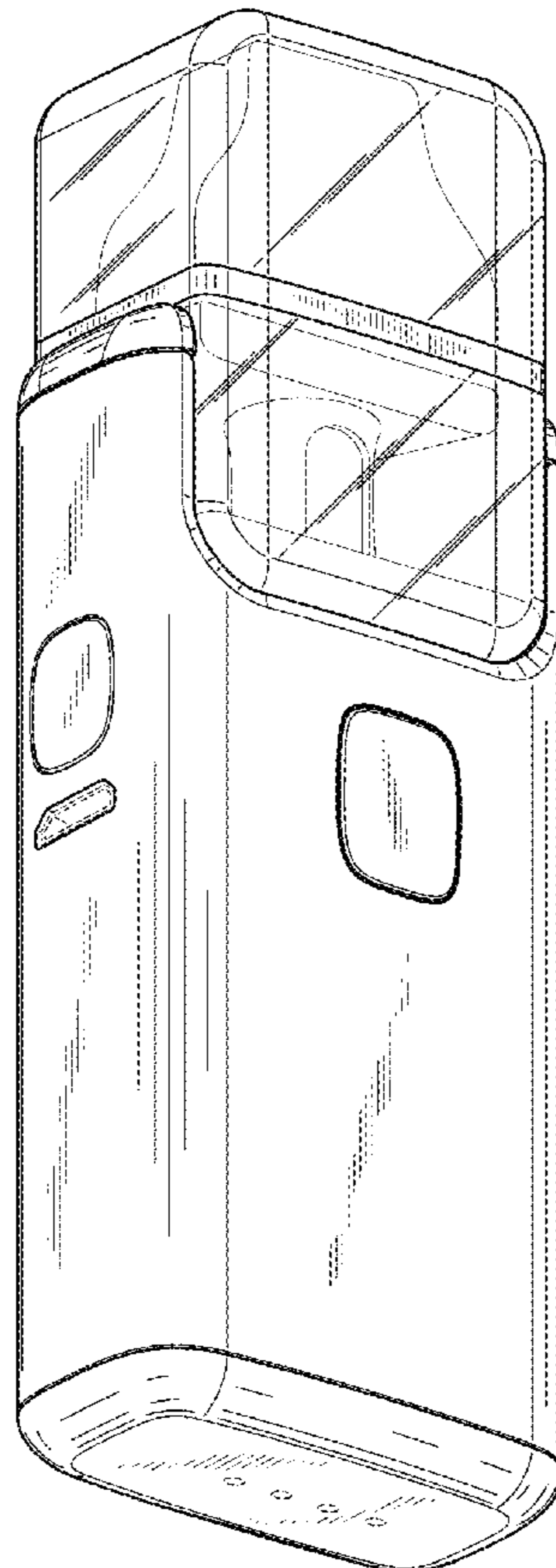
DESCRIPTION

FIG. 1 is a front elevation view of an electronic cigarette; FIG. 2 is a rear elevation view thereof; FIG. 3 is a left-side elevation view thereof; FIG. 4 is a right-side elevation view thereof; FIG. 5 is a top plan view thereof; FIG. 6 is a bottom plan view thereof; and, FIG. 7 is a perspective view thereof. The broken lines in the drawings depict portions of the electronic cigarette that forms no part of the claimed design.

(56) **References Cited**
U.S. PATENT DOCUMENTS

D786,497 S * 5/2017 Sudlow D27/162
D802,206 S * 11/2017 Huang D27/101
D832,499 S * 10/2018 Qiu D27/162
D866,852 S * 11/2019 Cividi D27/101
D870,372 S * 12/2019 Zhu D27/167

1 Claim, 7 Drawing Sheets



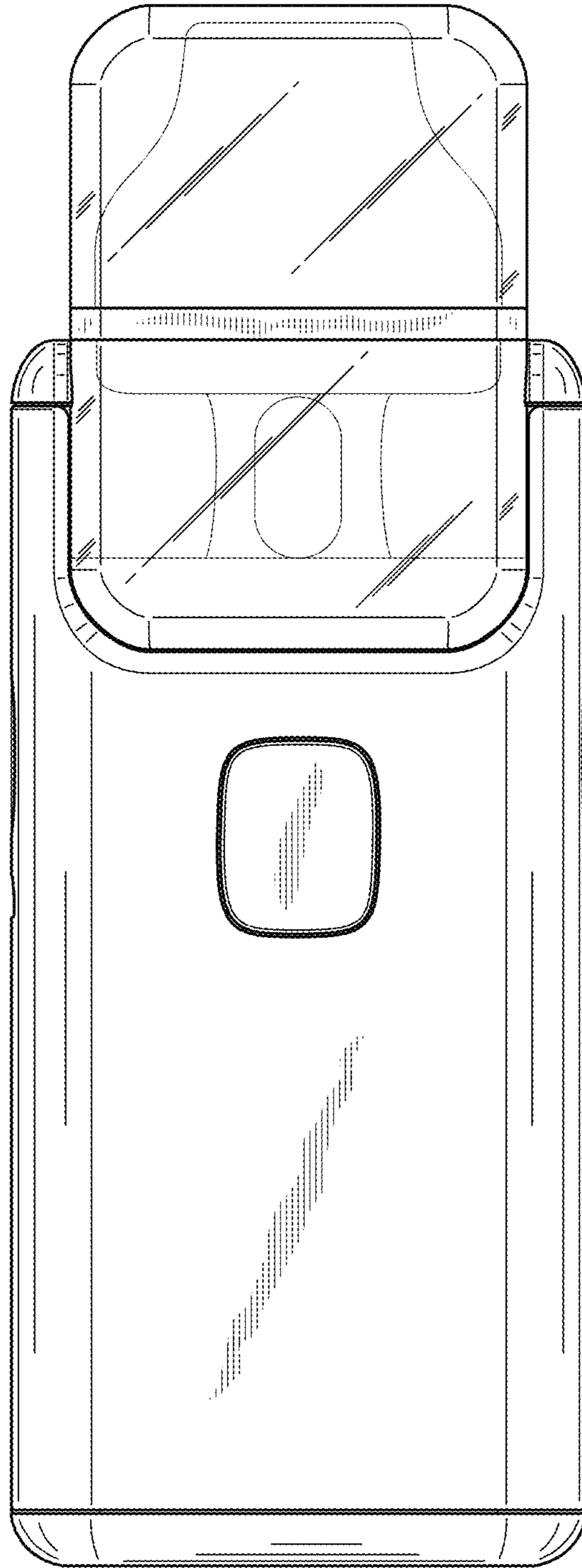


FIG. 1

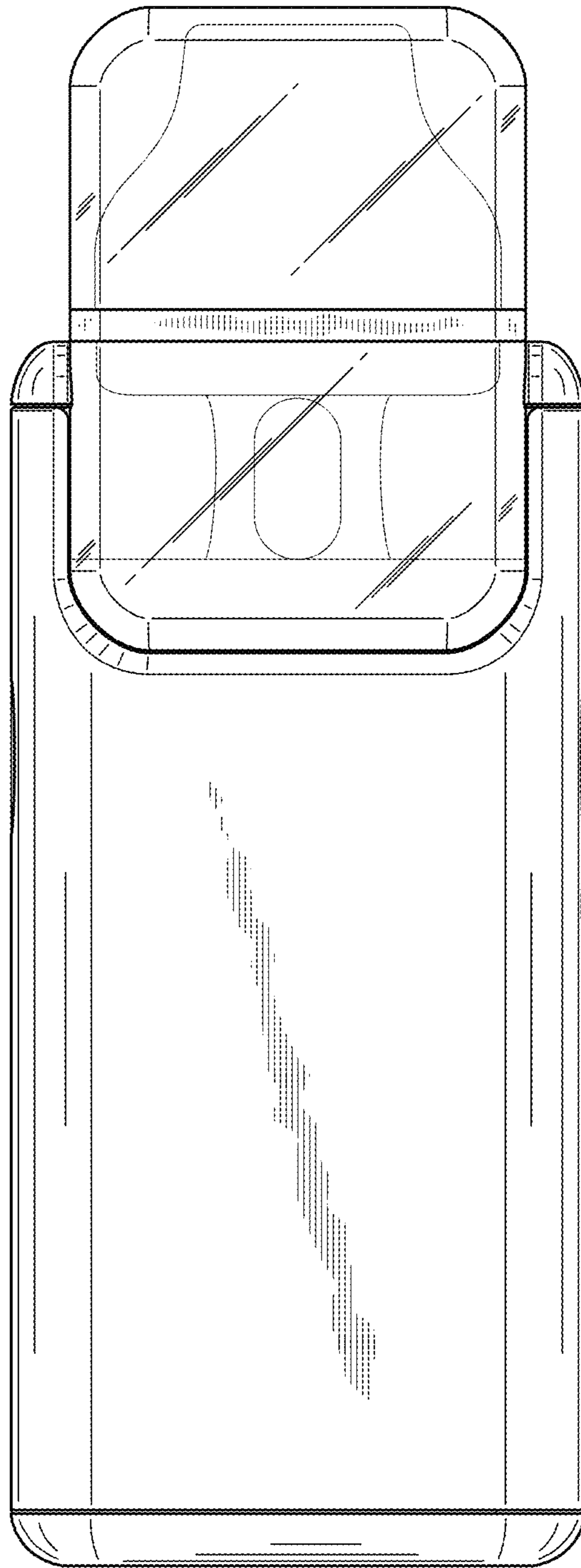


FIG. 2

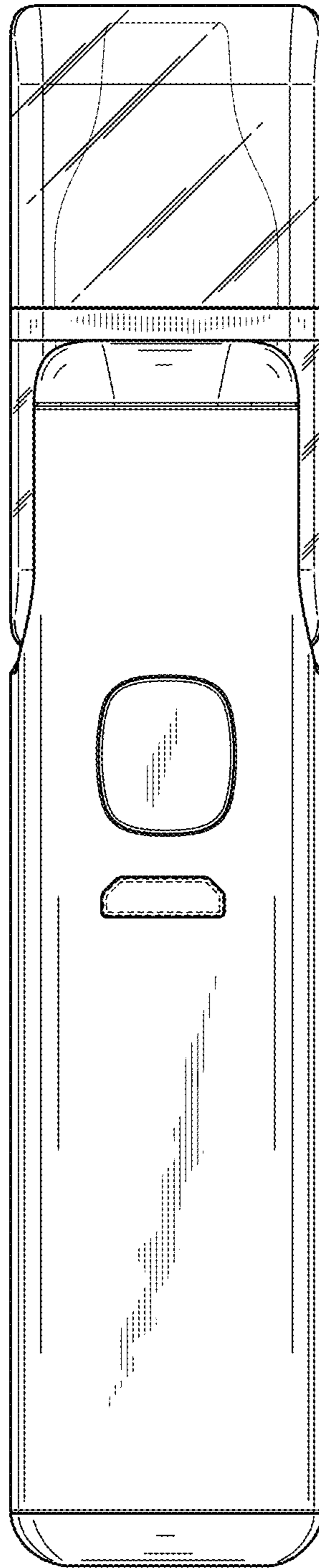


FIG. 3

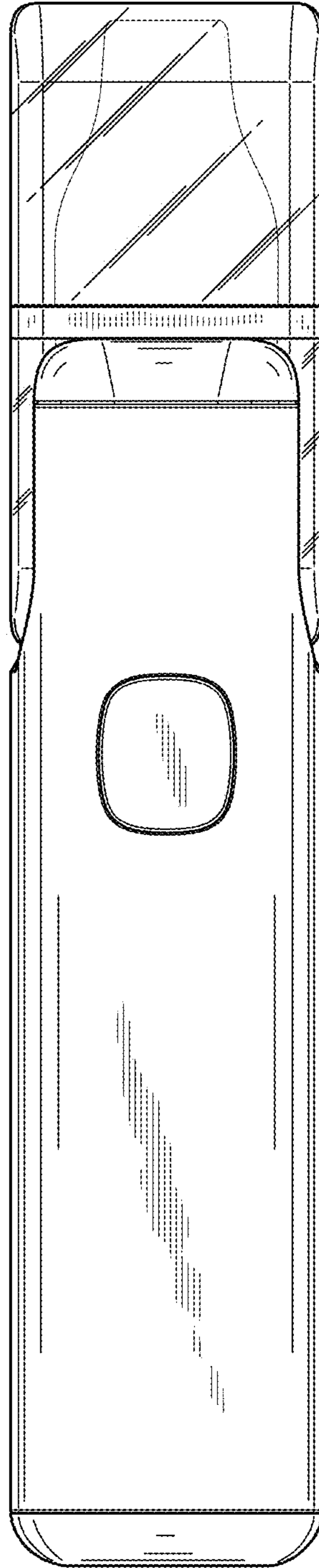


FIG. 4

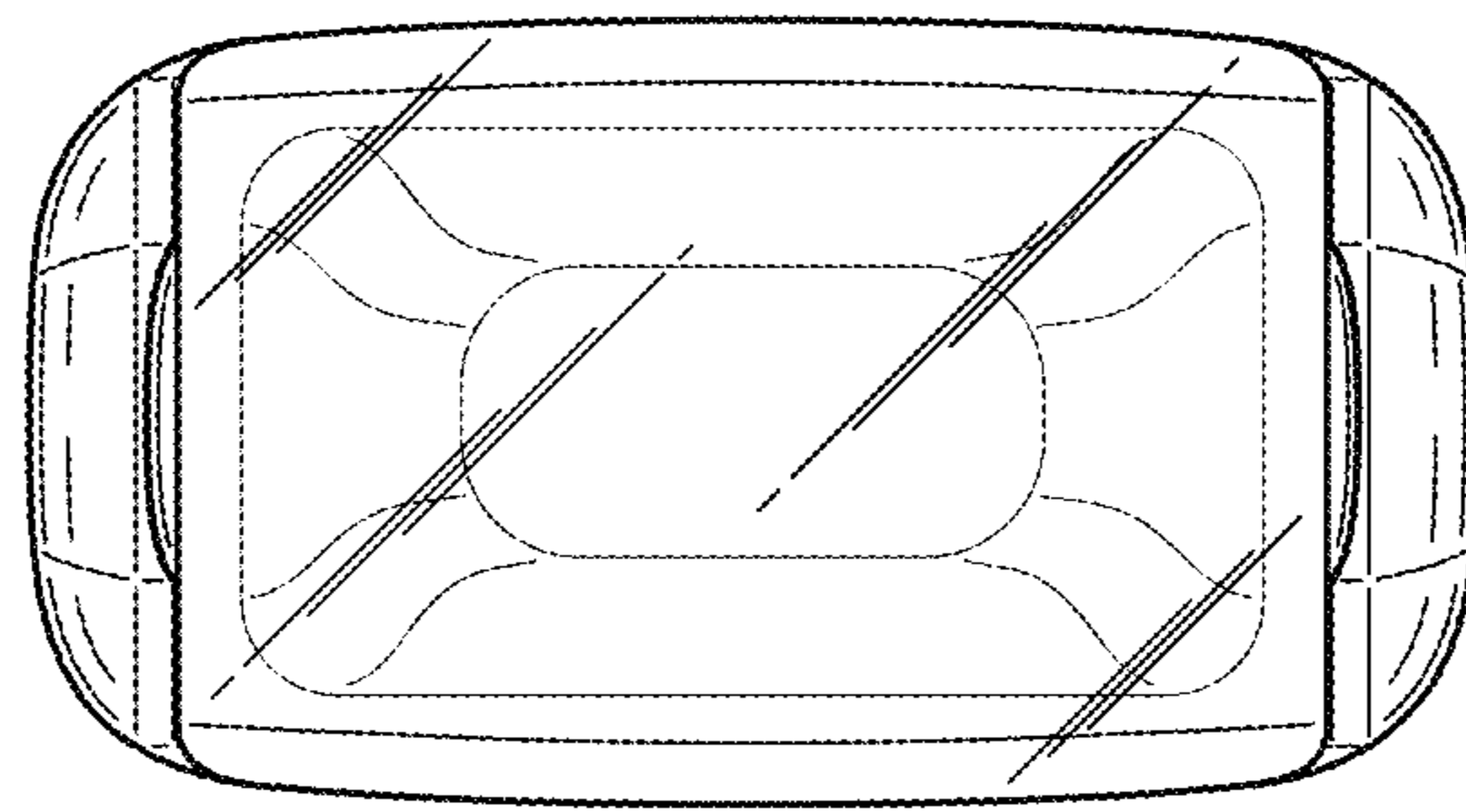


FIG. 5

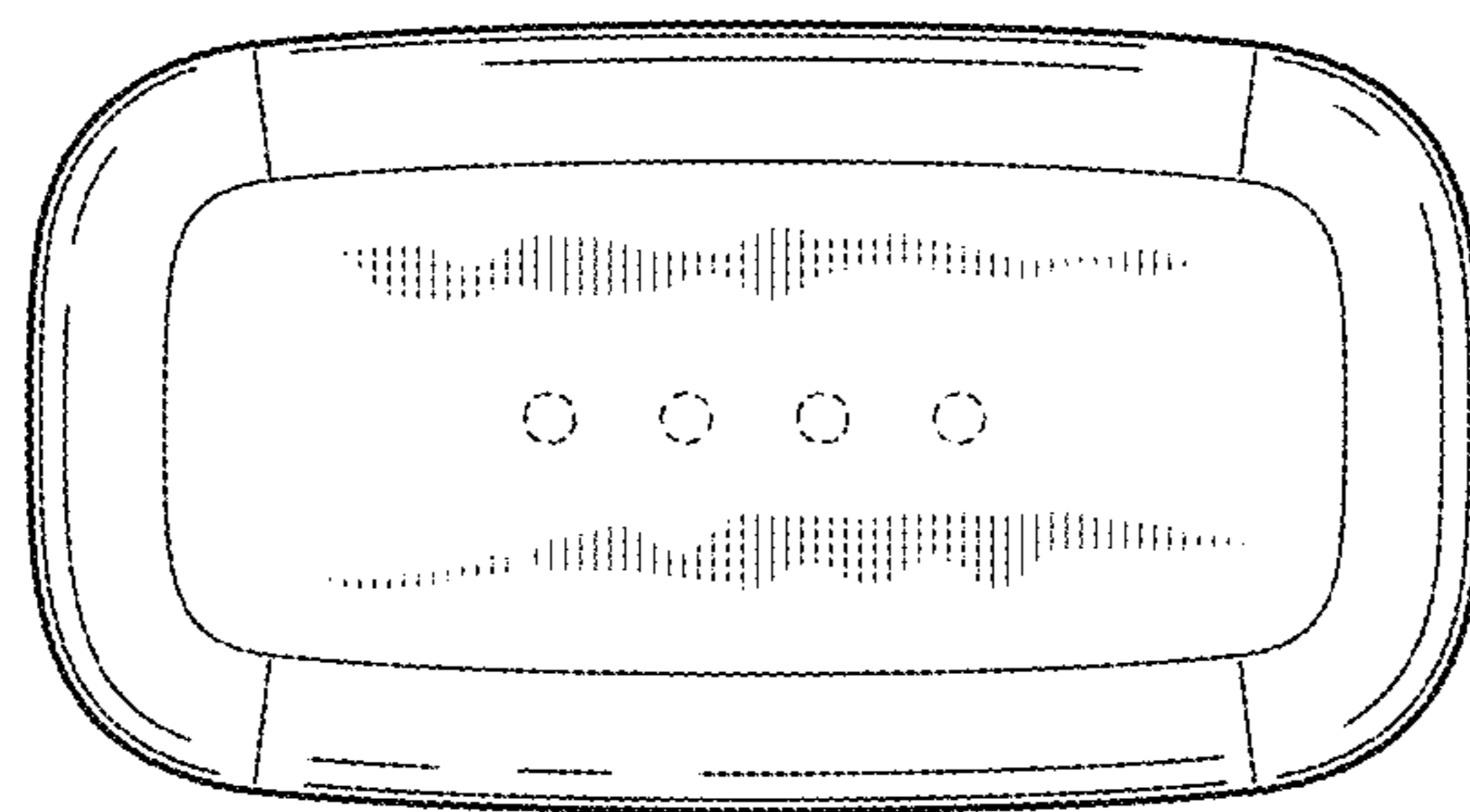


FIG. 6

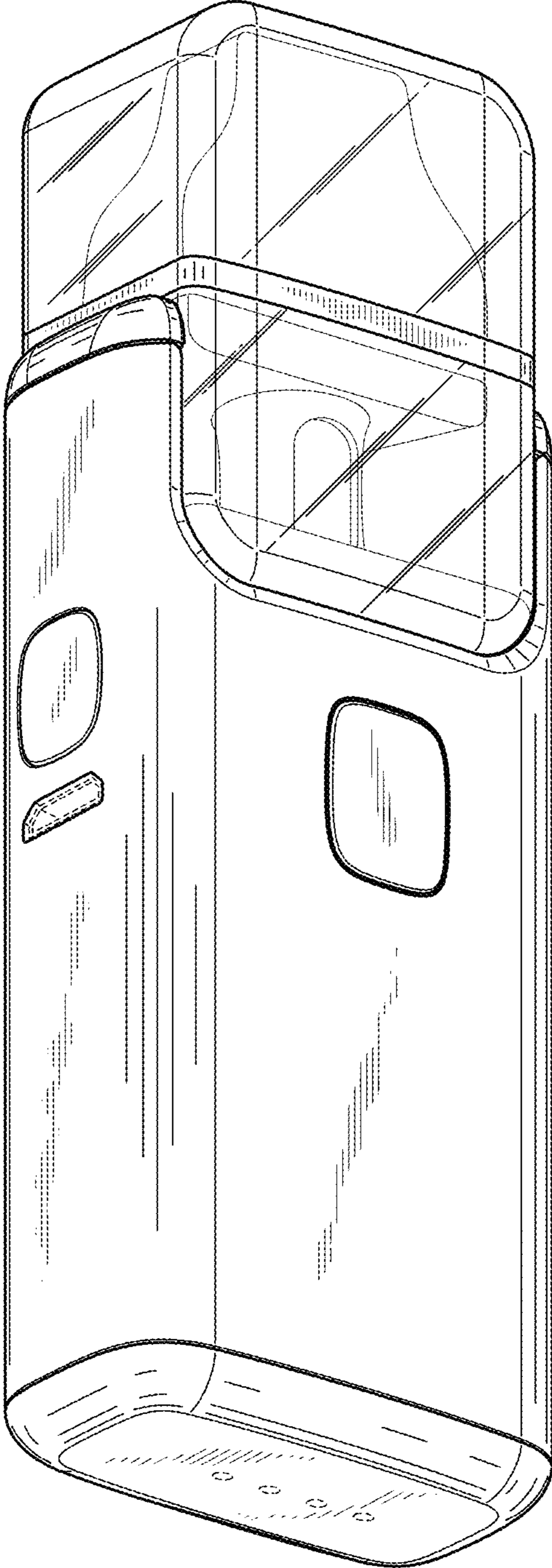


FIG. 7