



US00D899674S

(12) **United States Design Patent** (10) **Patent No.:** **US D899,674 S**  
**He** (45) **Date of Patent:** **\*\* Oct. 20, 2020**

(54) **HEADLAMP BRACKET**

(71) Applicant: **Ningboo Haichen Auto Parts CO., LTD**, Ningbo (CN)

(72) Inventor: **Qiyu He**, Ningbo (CN)

(\*\*) Term: **15 Years**

(21) Appl. No.: **29/689,929**

(22) Filed: **May 3, 2019**

(51) **LOC (12) Cl.** ..... **26-05**

(52) **U.S. Cl.**  
USPC ..... **D26/138**

(58) **Field of Classification Search**  
USPC ..... D26/63, 72, 74, 76, 78–83, 85, 86, 88, D26/90, 93, 111, 113, 118, 119, 120, 121, D26/122, 138, 139, 140, 141, 142, 152  
CPC ..... F21S 2/00; F21S 4/00; F21S 4/003; F21S 4/005; F21S 4/006; F21S 4/007; F21S 4/008; F21S 6/00; F21S 8/00; F21S 8/024; F21S 8/026; F21S 8/031; F21S 8/033; F21S 8/035–8/037; F21S 8/04; F21S 8/043; F21S 8/063  
See application file for complete search history.

(56) **References Cited**

**U.S. PATENT DOCUMENTS**

D359,225 S *	6/1995	Reed	.....	D26/138
D369,957 S *	5/1996	Blanton	.....	D26/138
D397,468 S *	8/1998	Zeller	.....	D26/60
D457,418 S *	5/2002	Ferrer Beltrán	.....	D8/363
D507,673 S *	7/2005	Martin	.....	D26/60
D537,196 S *	2/2007	Summerford	.....	D26/155
D570,534 S *	6/2008	Wilcox	.....	D26/142
D608,047 S *	1/2010	Scheper	.....	D26/138
D636,927 S *	4/2011	Lin	.....	D26/138
D636,928 S *	4/2011	Lin	.....	D26/138

D668,379 S *	10/2012	Storey	.....	D26/138
D762,917 S *	8/2016	Nankil	.....	D26/142
D779,312 S *	2/2017	Stanley	.....	D26/138
D808,576 S *	1/2018	Clarke	.....	D26/138
D818,517 S *	5/2018	Szarawarski	.....	D16/242
D847,410 S *	4/2019	Stanley	.....	D26/138
D859,966 S *	9/2019	Rassat	.....	D8/380
D876,713 S *	2/2020	Rothbauer	.....	D26/138
D882,862 S *	4/2020	Antoni	.....	D26/138

\* cited by examiner

*Primary Examiner* — Natasha Vujcic  
(74) *Attorney, Agent, or Firm* — W&K IP

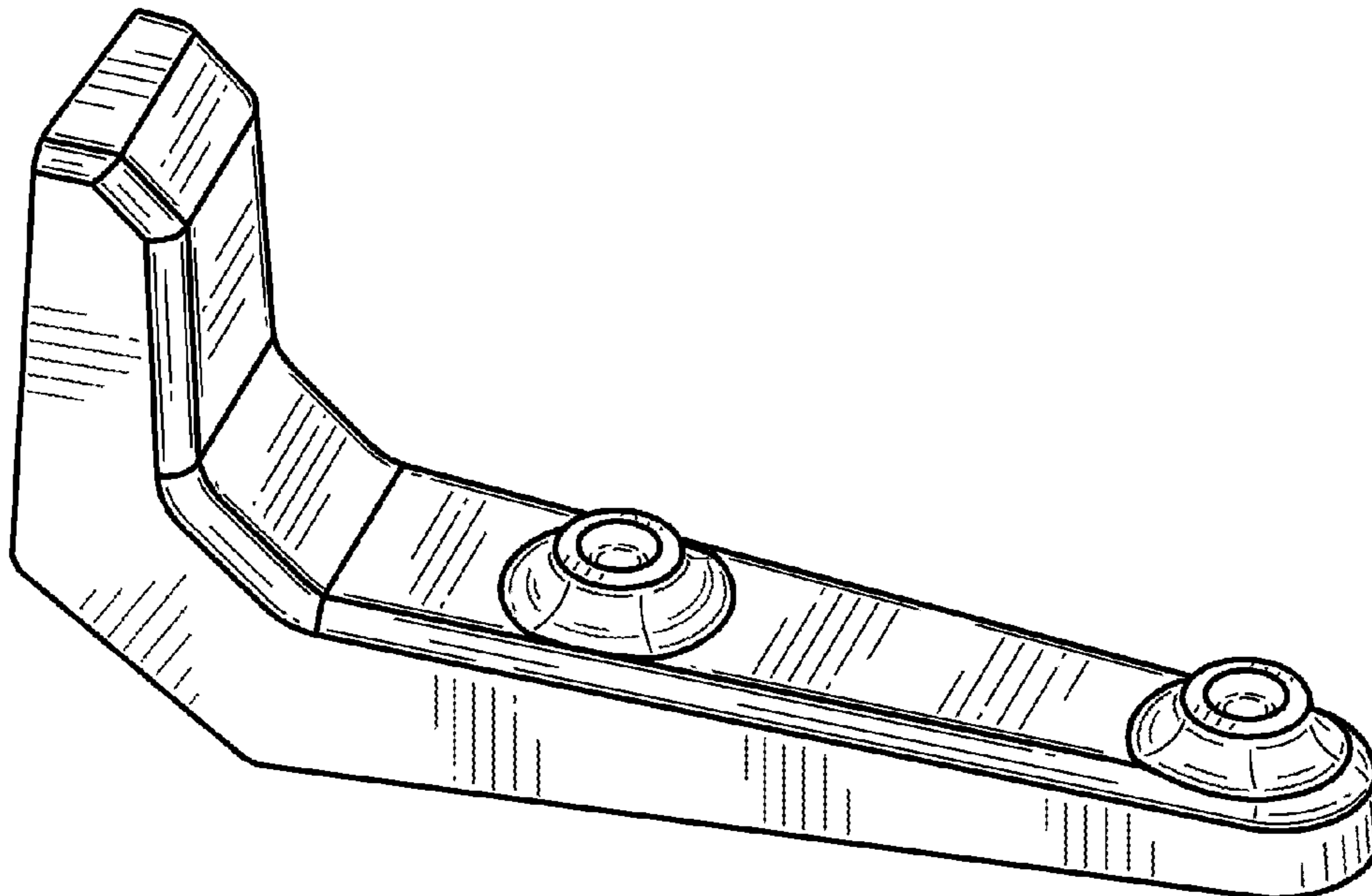
(57) **CLAIM**

The ornamental design for a headlamp bracket, as shown and described.

**DESCRIPTION**

FIG. 1 is a perspective view of a first embodiment of a headlamp bracket;  
FIG. 2 is a front elevational view thereof;  
FIG. 3 is a rear elevational view thereof;  
FIG. 4 is a left elevational view thereof;  
FIG. 5 is a right elevational view thereof;  
FIG. 6 is a top plan view thereof;  
FIG. 7 is a bottom plan view thereof;  
FIG. 8 is a perspective view of a second embodiment of a headlamp bracket;  
FIG. 9 is a front elevational view thereof;  
FIG. 10 is a rear elevational view thereof;  
FIG. 11 is a left elevational view thereof;  
FIG. 12 is a right elevational view thereof;  
FIG. 13 is a top plan view thereof; and,  
FIG. 14 is a bottom plan view thereof.  
The broken lines where present illustrate portions of the headlamp bracket that form no part of the claimed design.

**1 Claim, 14 Drawing Sheets**



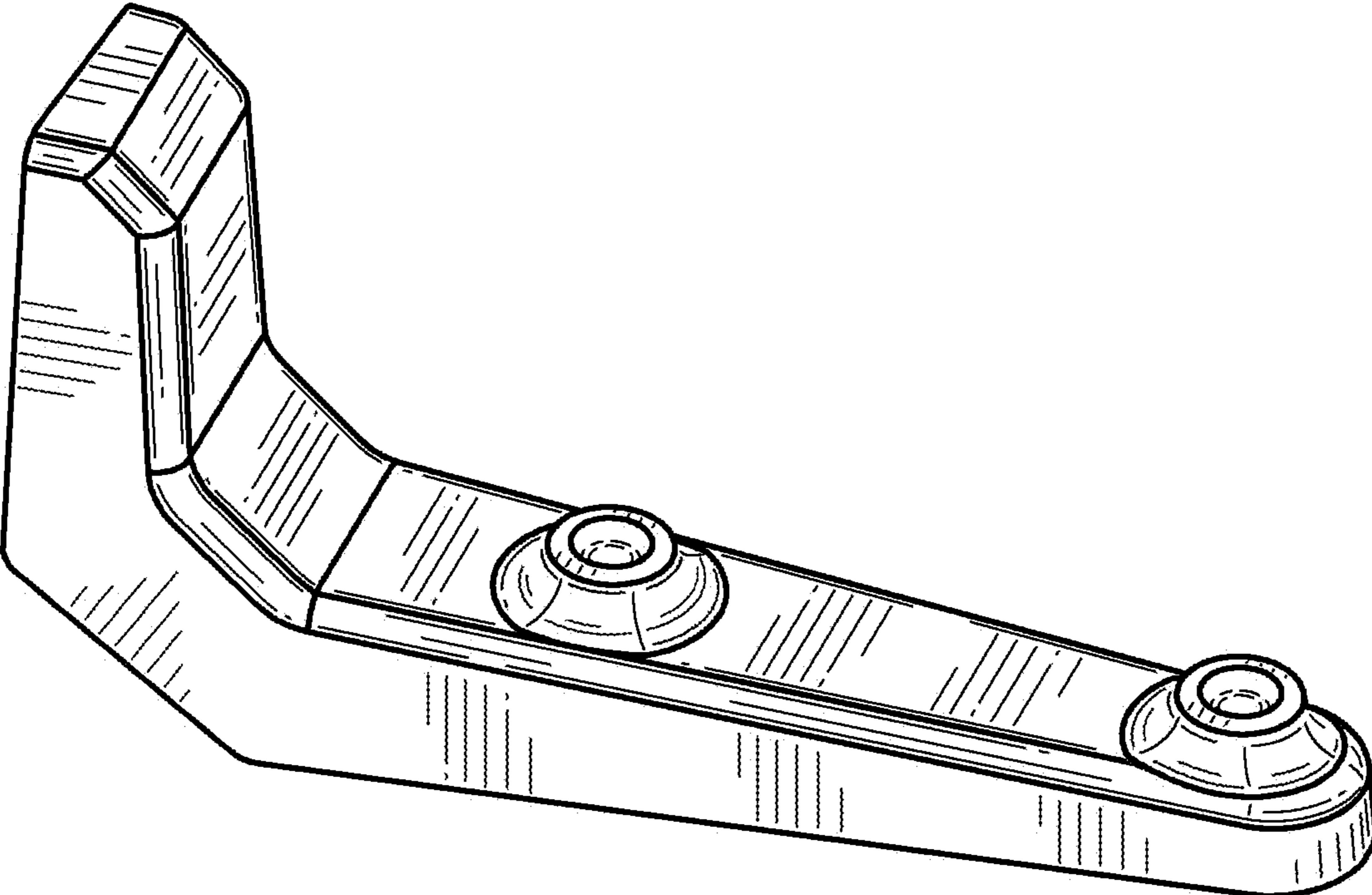


FIG. 1

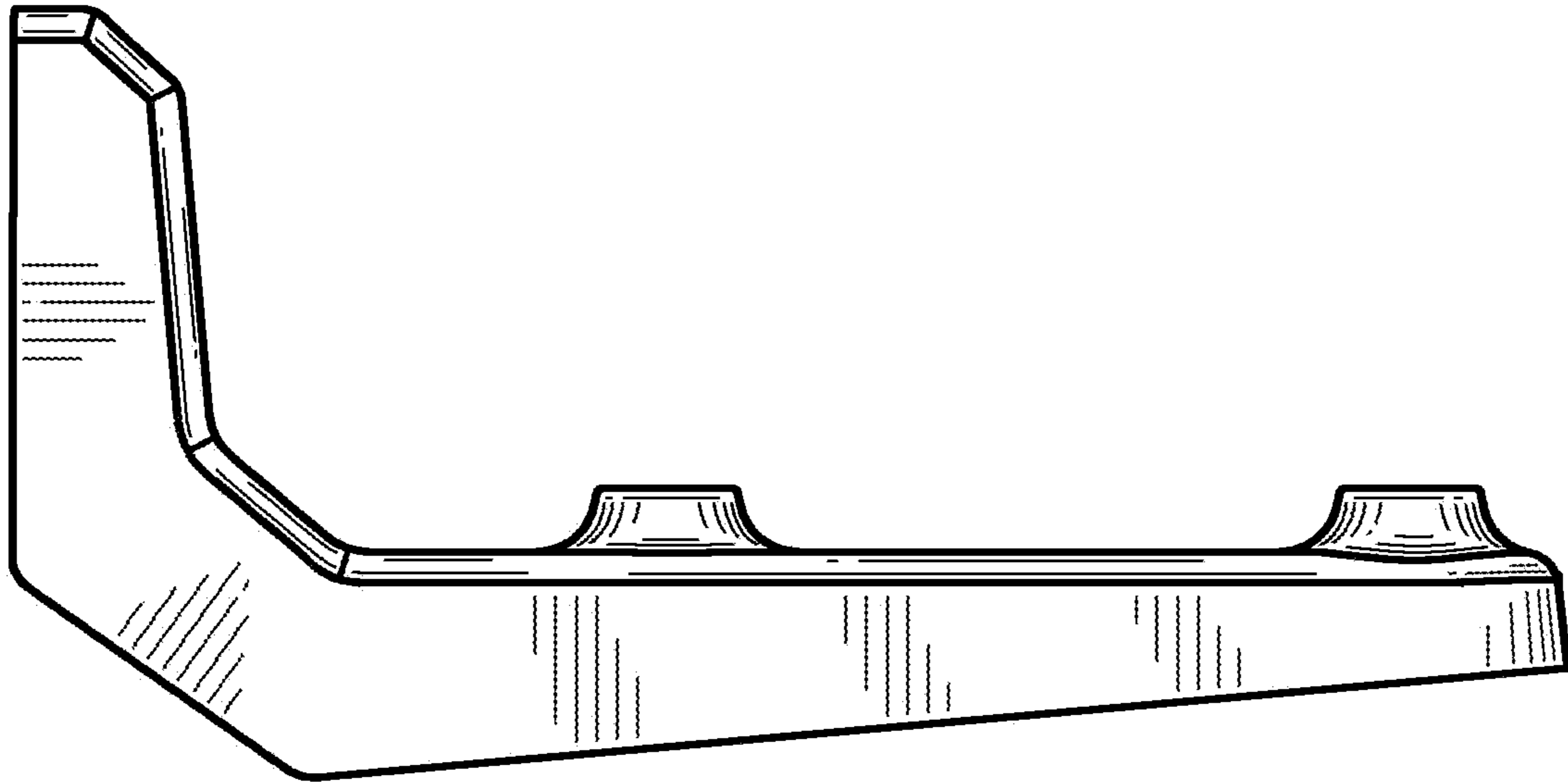


FIG. 2

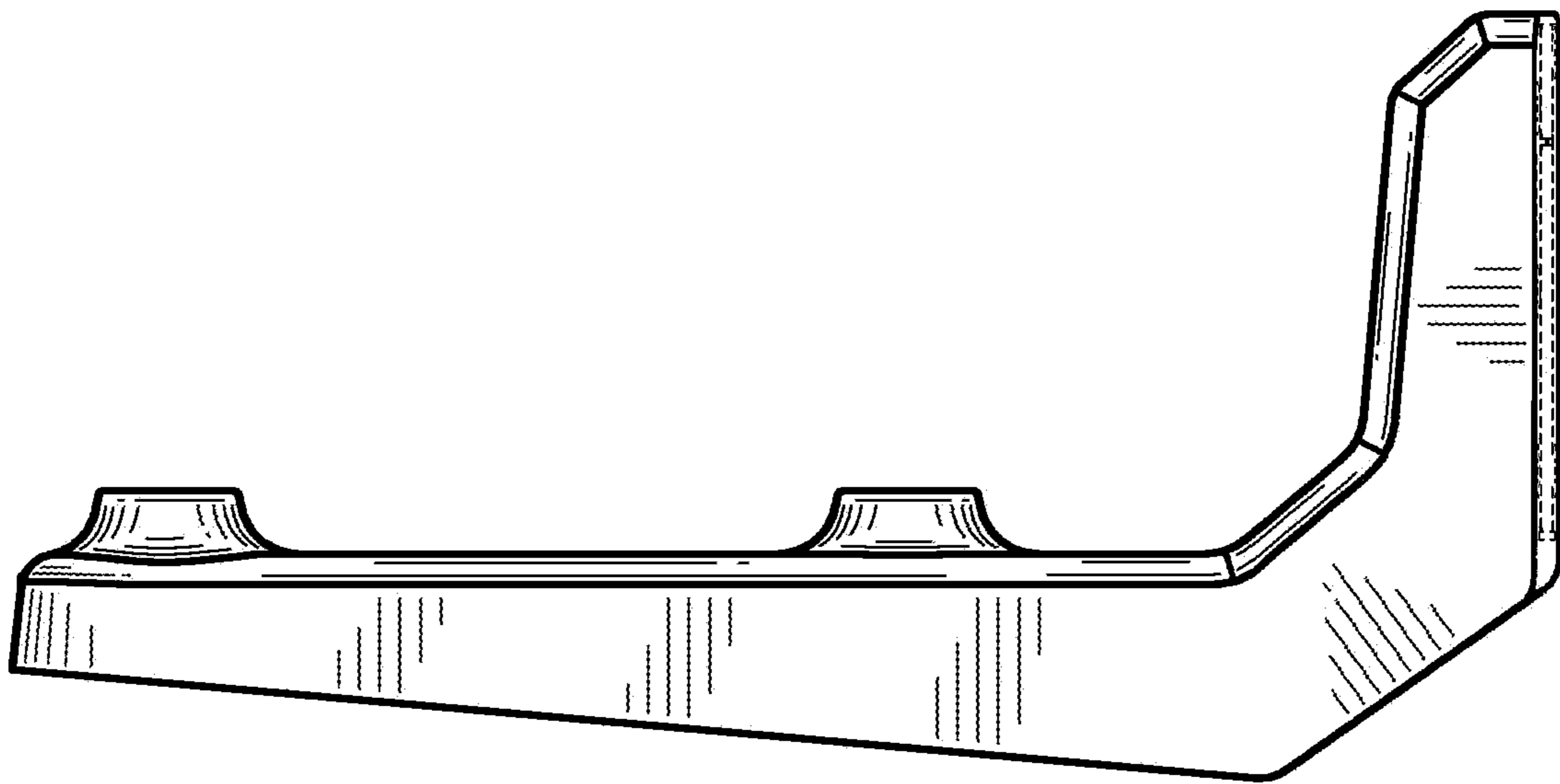


FIG. 3

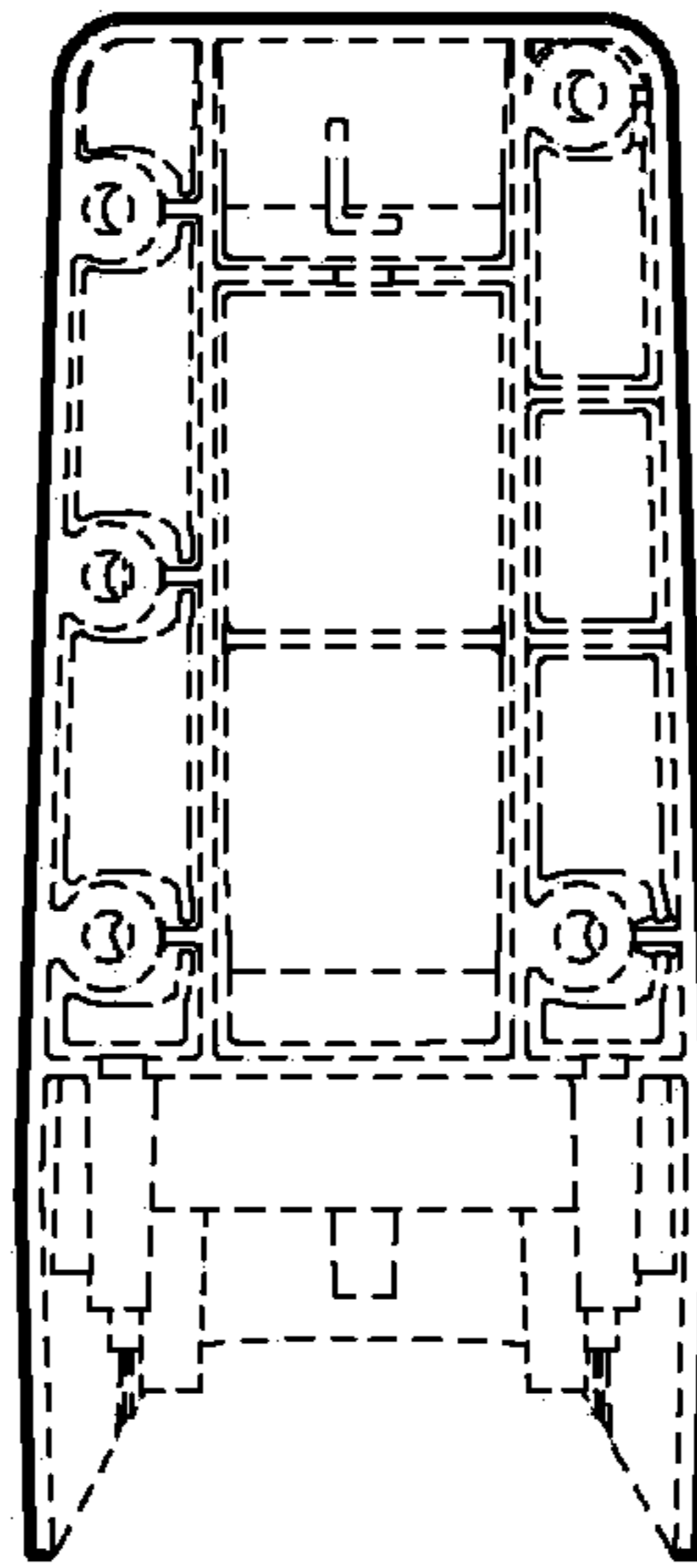


FIG. 4

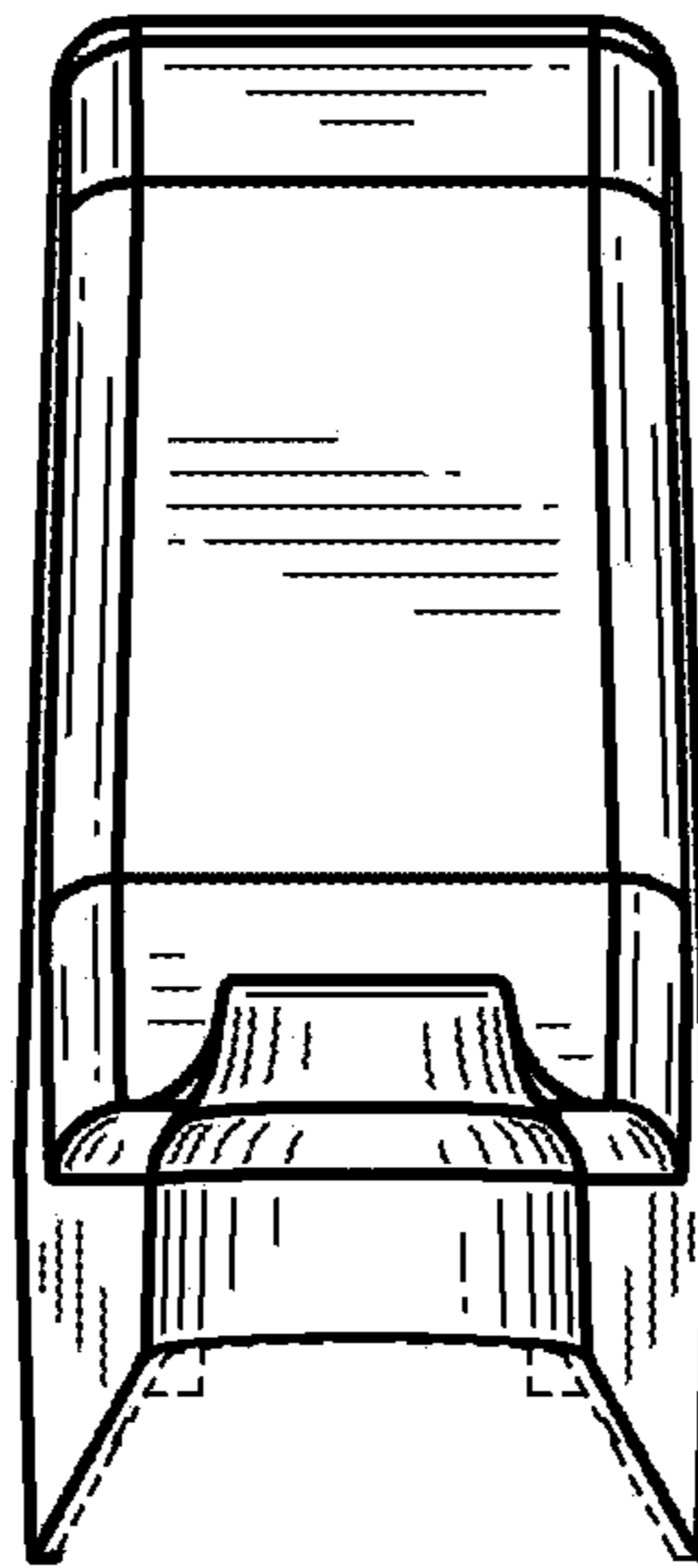


FIG. 5

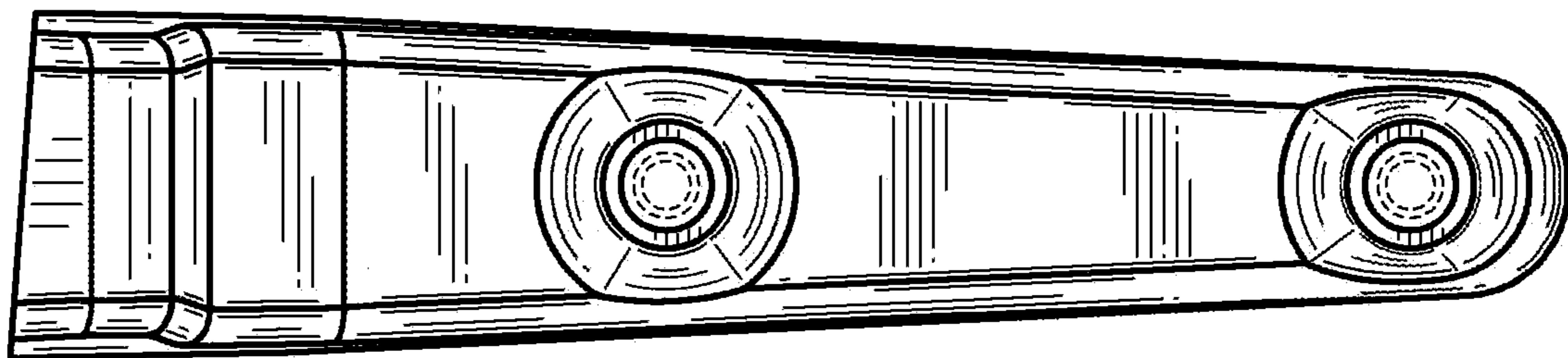


FIG. 6

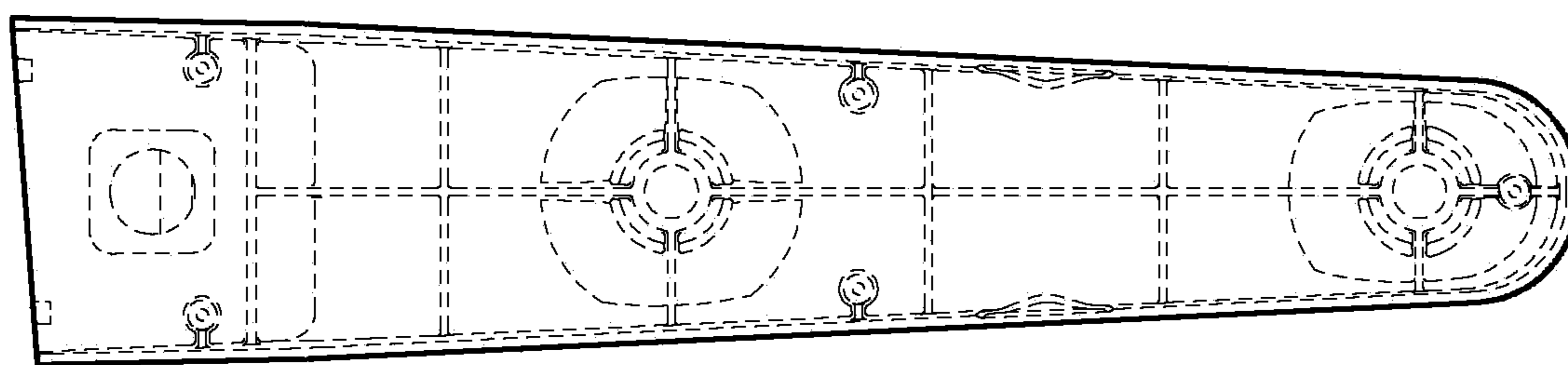


FIG. 7



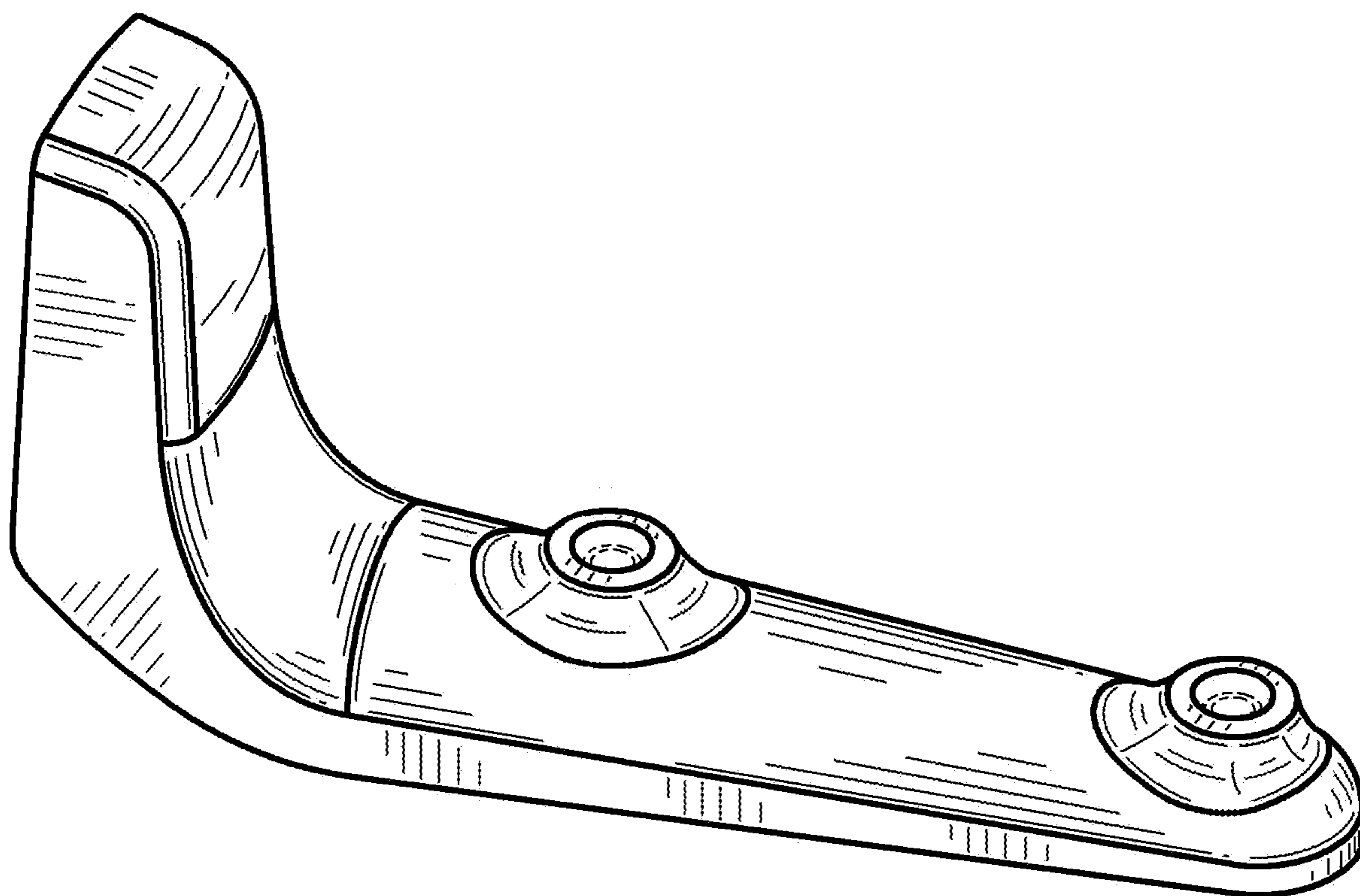


FIG. 8

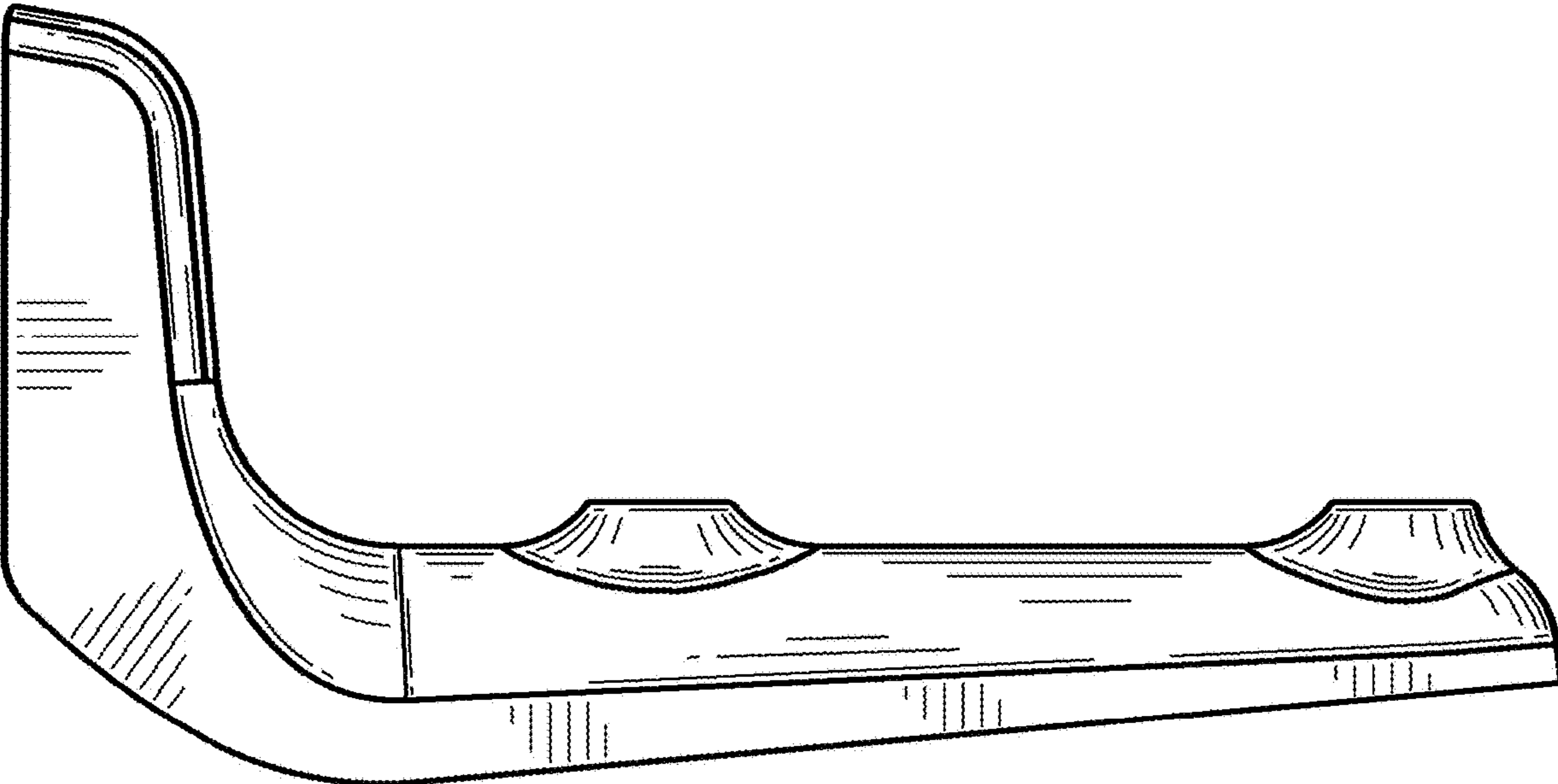


FIG. 9

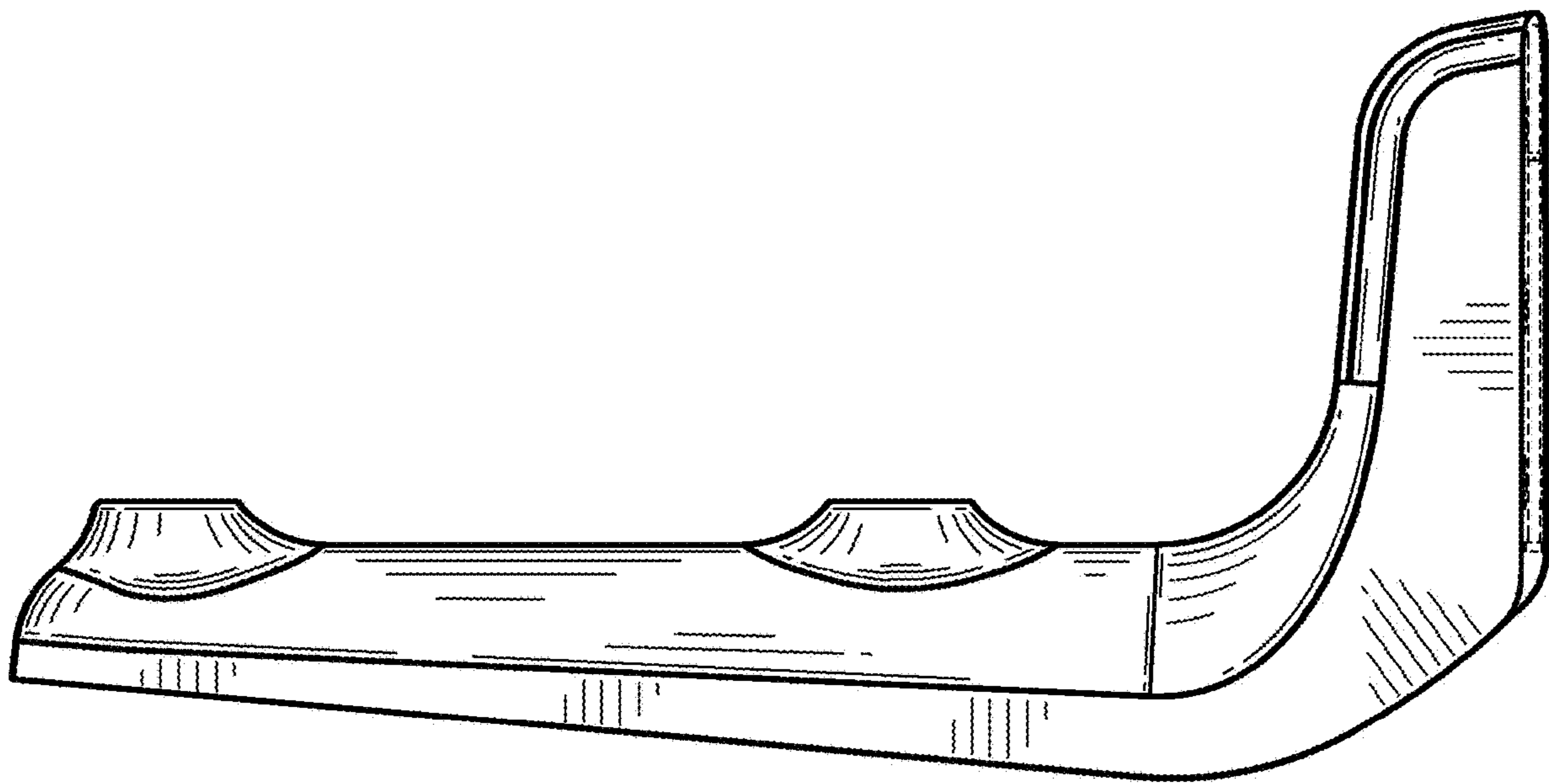


FIG. 10

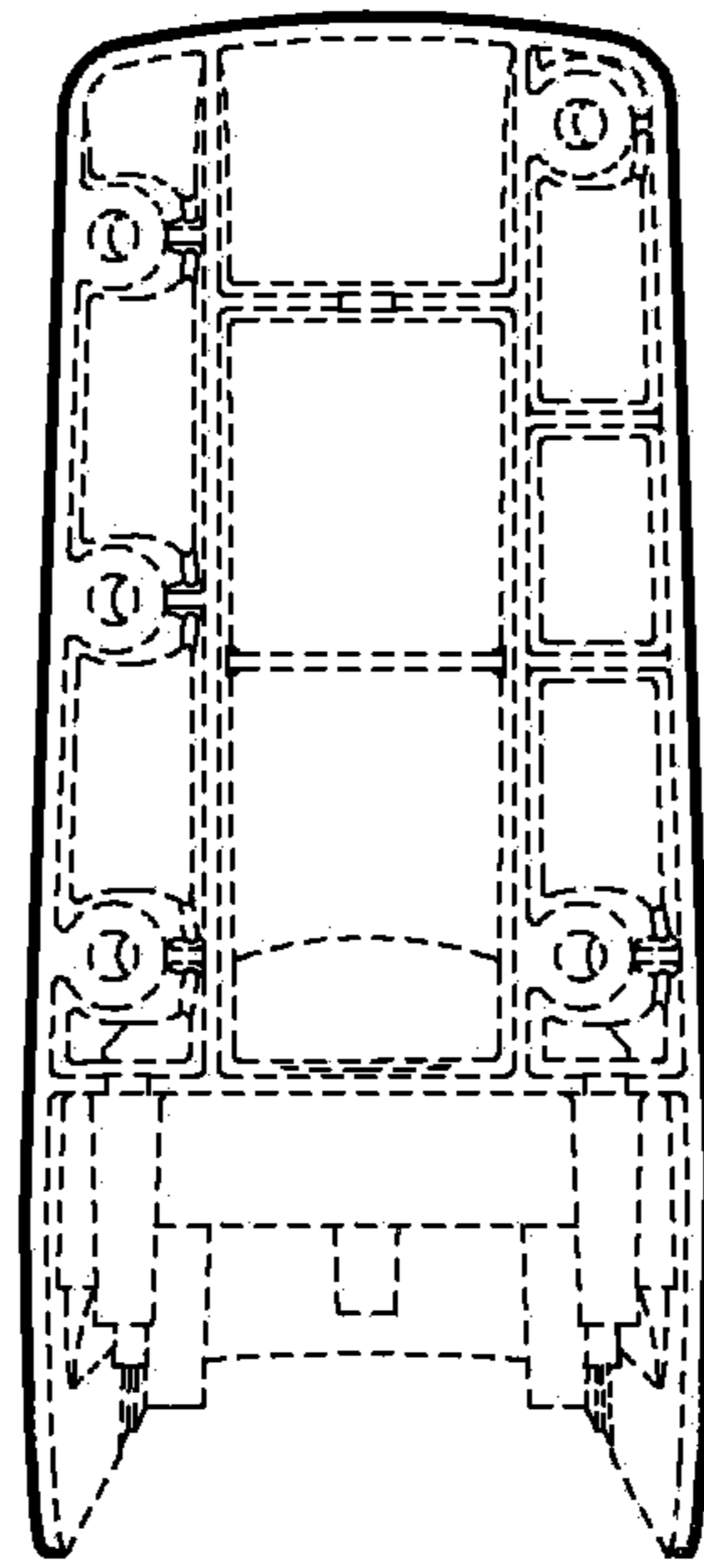


FIG. 11

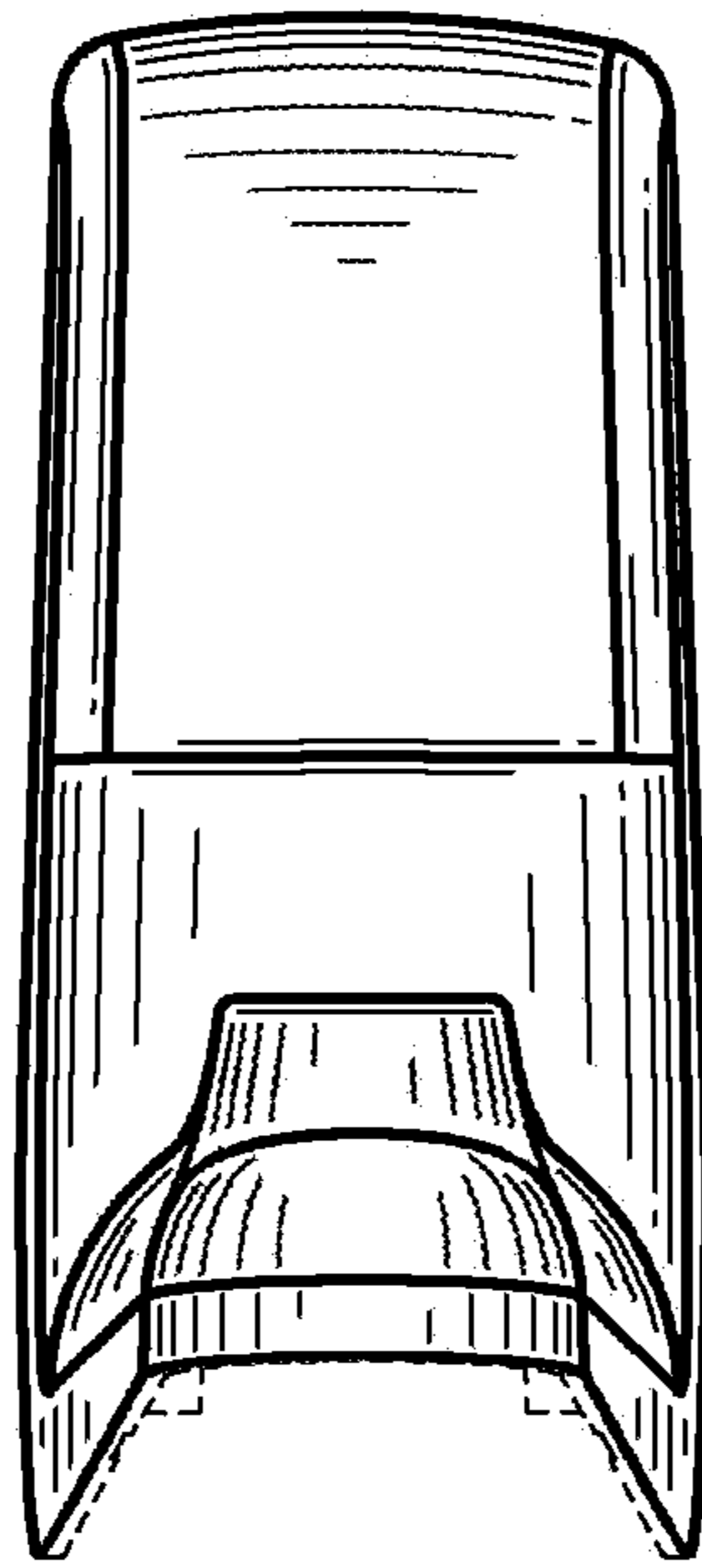


FIG. 12

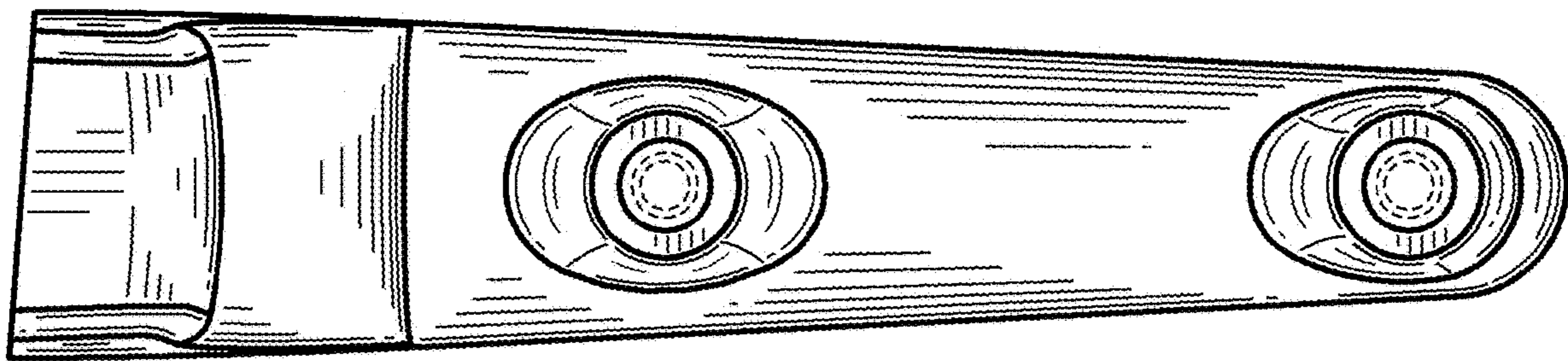


FIG. 13

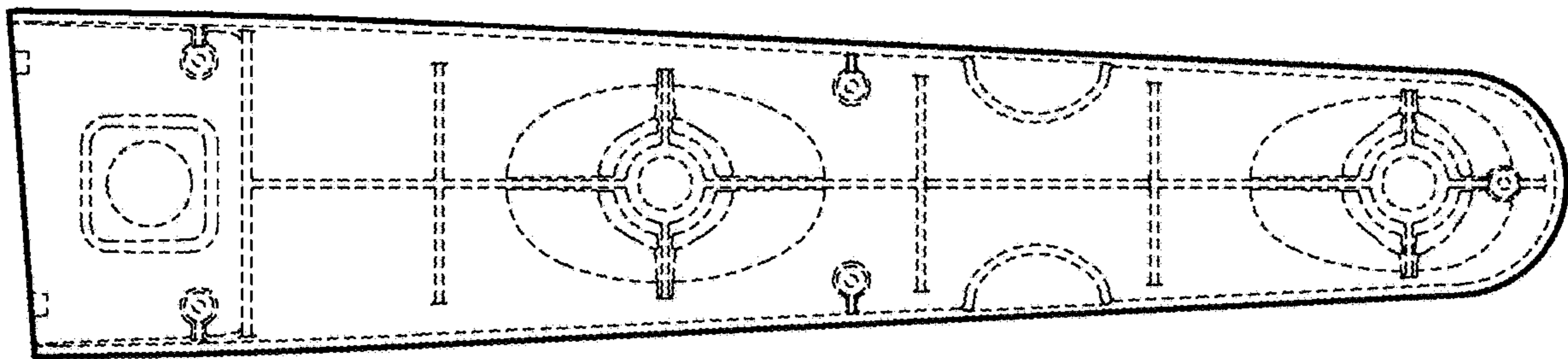


FIG. 14