



US00D899672S

(12) **United States Design Patent** (10) **Patent No.:** **US D899,672 S**
Schrama et al. (45) **Date of Patent:** **** Oct. 20, 2020**

(54) **OPTICAL MODULES INSTALLED IN BASE PLATE**
(71) Applicant: **Lumileds LLC**, San Jose, CA (US)
(72) Inventors: **Charles André Schrama**, San Jose, CA (US); **Emanuel Nicolaas Hermanus Johannes Stassar**, Sprang Capelle (NL)

9,946,003 B2 * 4/2018 Guo G02B 6/0008
D843,613 S * 3/2019 Hodohara D26/1
10,228,119 B2 * 3/2019 Hong F21V 29/74
10,292,782 B2 * 5/2019 Haverich F21L 4/00
2006/0262533 A1 * 11/2006 Lin F21S 4/10
362/249.01
2010/0002450 A1 * 1/2010 Pachler H01L 33/58
362/311.02

(73) Assignee: **Lumileds LLC**, San Jose, CA (US)
(**) Term: **15 Years**

(Continued)
Primary Examiner — Wan Laymon
Assistant Examiner — Clint A Samuel
(74) *Attorney, Agent, or Firm* — Seyfarth Shaw LLP

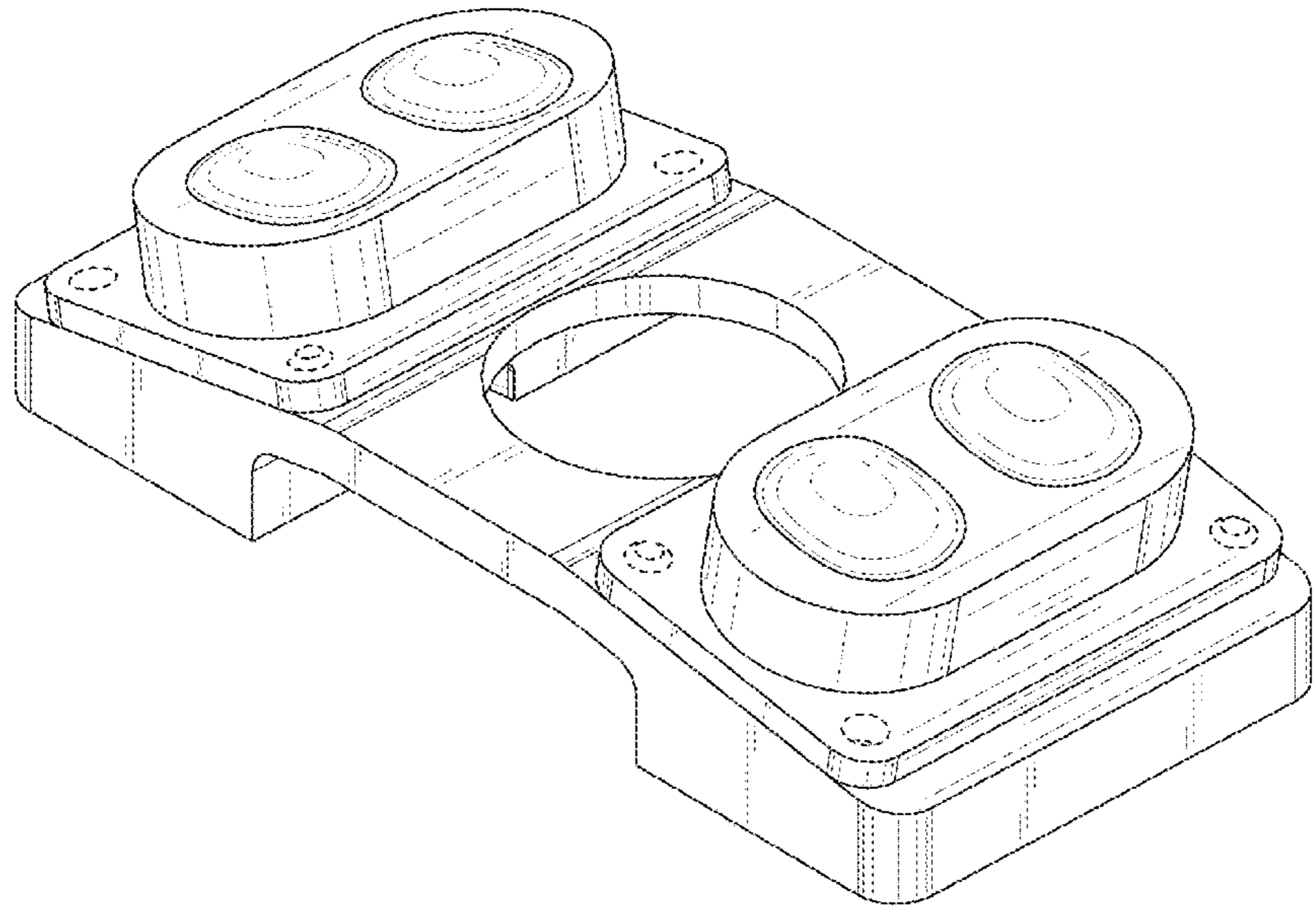
(21) Appl. No.: **29/695,261**
(22) Filed: **Jun. 18, 2019**
(51) **LOC (12) Cl.** **26-05**
(52) **U.S. Cl.**
USPC **D26/120**
(58) **Field of Classification Search**
USPC D26/1, 24, 25, 28, 35, 80, 86, 120;
D13/133, 180; 362/249.02, 249.04, 224,
362/225, 227, 240
CPC F21L 4/00; F21L 4/02; F21L 4/025; F21L
4/027; F21V 5/007; H01J 3/38; H01S
3/034; H01S 5/022; H01S 5/02208; F21Y
2115/10; F21S 2/005
See application file for complete search history.

(57) **CLAIM**
The ornamental design for an optical modules installed in a base plate, as shown and described.

(56) **References Cited**
U.S. PATENT DOCUMENTS
5,893,633 A * 4/1999 Uchio F21K 9/00
257/E25.02
D500,292 S * 12/2004 Ishida D13/180
D502,449 S * 3/2005 Ishida D13/180
D592,162 S * 5/2009 Sugimoto D13/180
D726,347 S * 4/2015 Soong D26/1
D797,362 S * 9/2017 Deyaf D26/120
9,899,582 B2 * 2/2018 Min H01L 33/486
D812,256 S * 3/2018 Huntley D26/28
9,939,144 B2 * 4/2018 Kwak F21S 2/005

DESCRIPTION
FIG. 1 is a top perspective view of an optical modules installed in a base plate, showing our new invention;
FIG. 2 is bottom perspective view of the optical modules installed in the base plate of FIG. 1;
FIG. 3 is a first side view of the optical modules installed in the base plate of FIG. 1;
FIG. 4 is a second side view of the optical modules installed in the base plate of FIG. 1;
FIG. 5 is a third side view of the optical modules installed in the base plate of FIG. 1;
FIG. 6 is a fourth side view of the optical modules installed in the base plate of FIG. 1;
FIG. 7 is a top view of the optical modules installed in the base plate of FIG. 1; and,
FIG. 8 is a bottom view of the optical modules installed in the base plate of FIG. 1.
The broken lines showing in the drawings are included for the purpose of illustrating unclaimed portions of the optical modules installed in a base plate and forms no part of the claimed design.

1 Claim, 7 Drawing Sheets



(56)

References Cited

U.S. PATENT DOCUMENTS

2012/0020086 A1* 1/2012 Kataoka F21V 19/0055
362/249.02
2012/0081907 A1* 4/2012 Kato G02B 19/0061
362/308
2019/0154952 A1* 5/2019 Zheng G02B 7/04
2019/0227338 A1* 7/2019 Bachar G02B 27/646

* cited by examiner

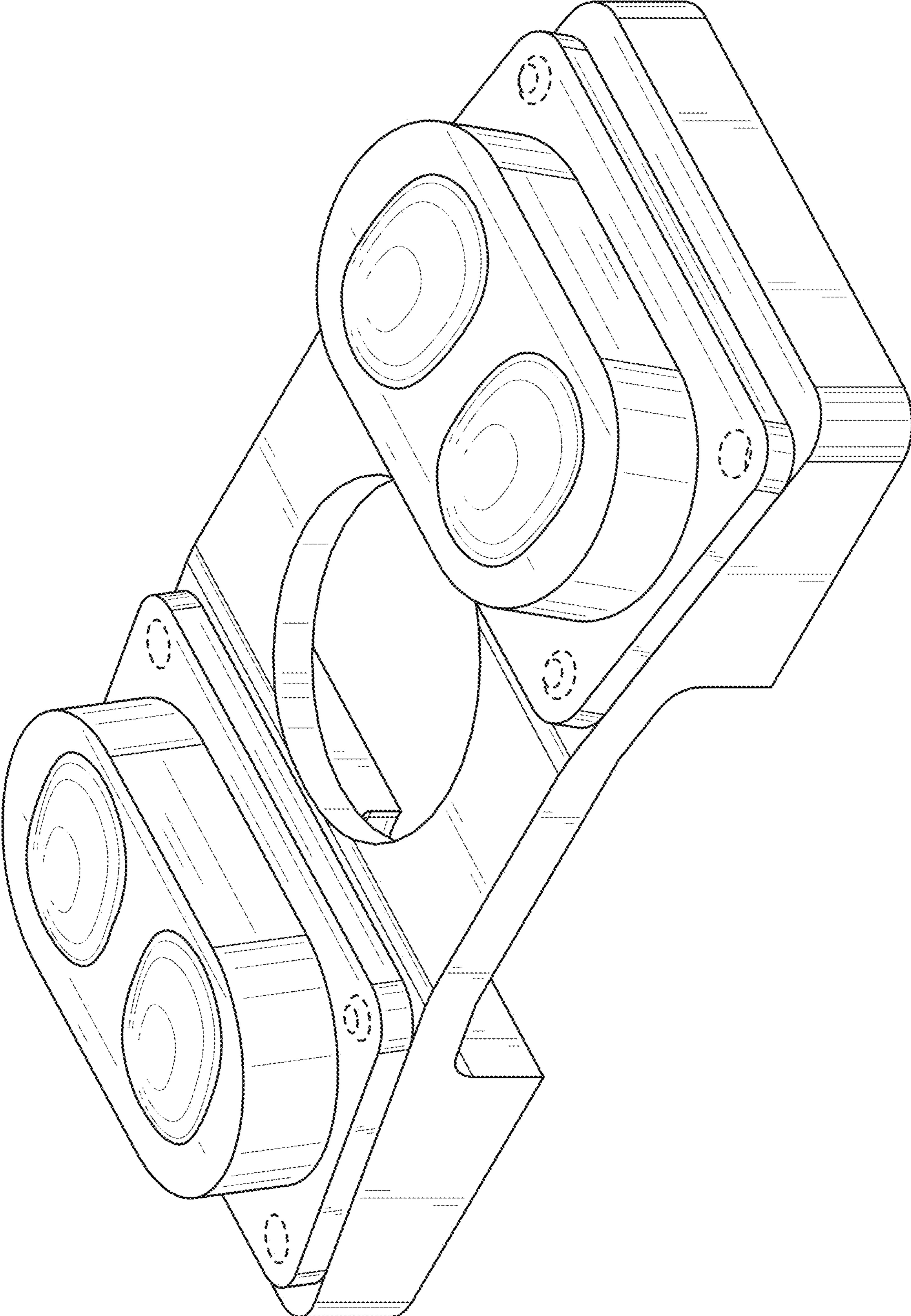


FIG. 1

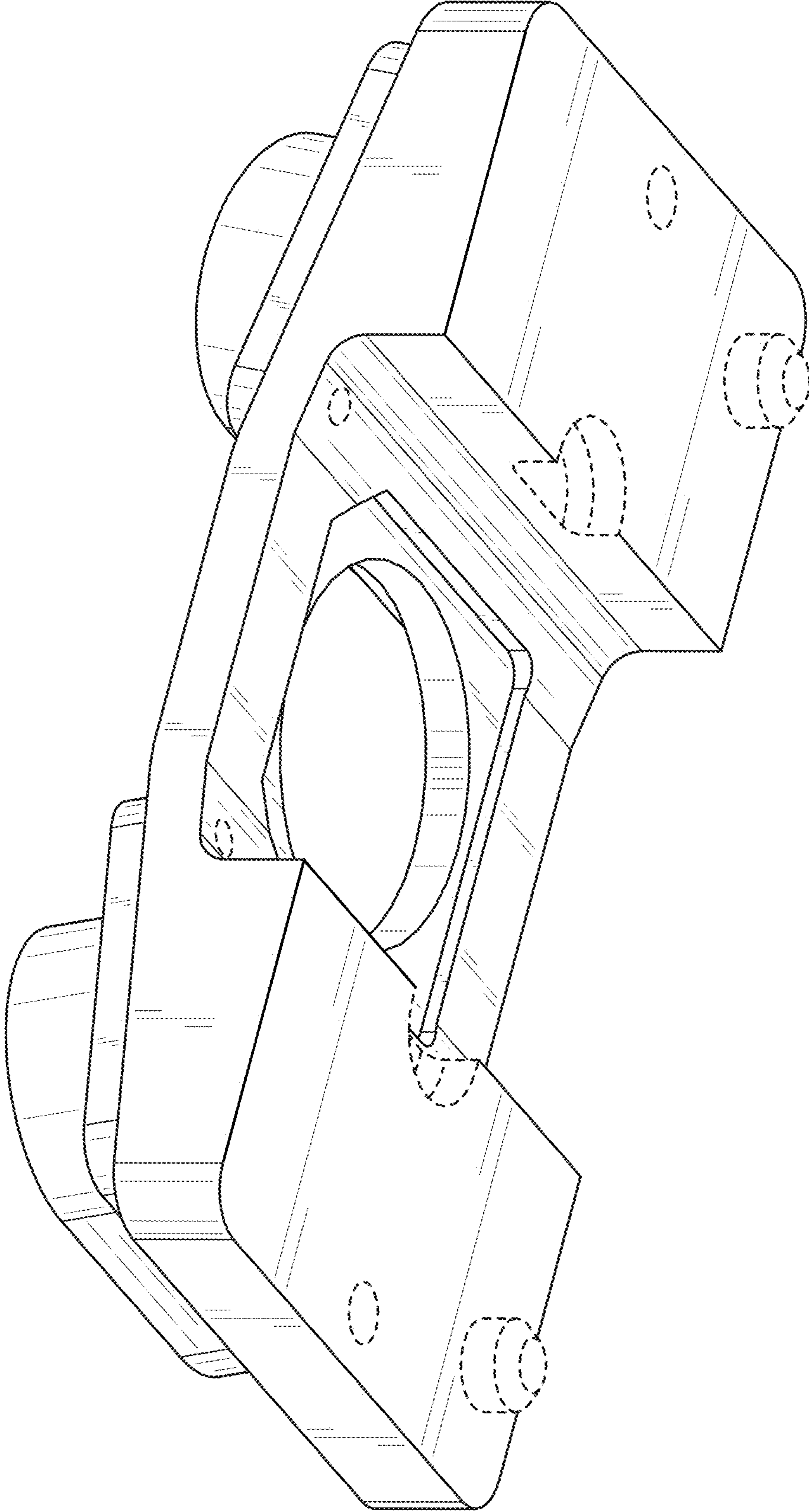


FIG. 2

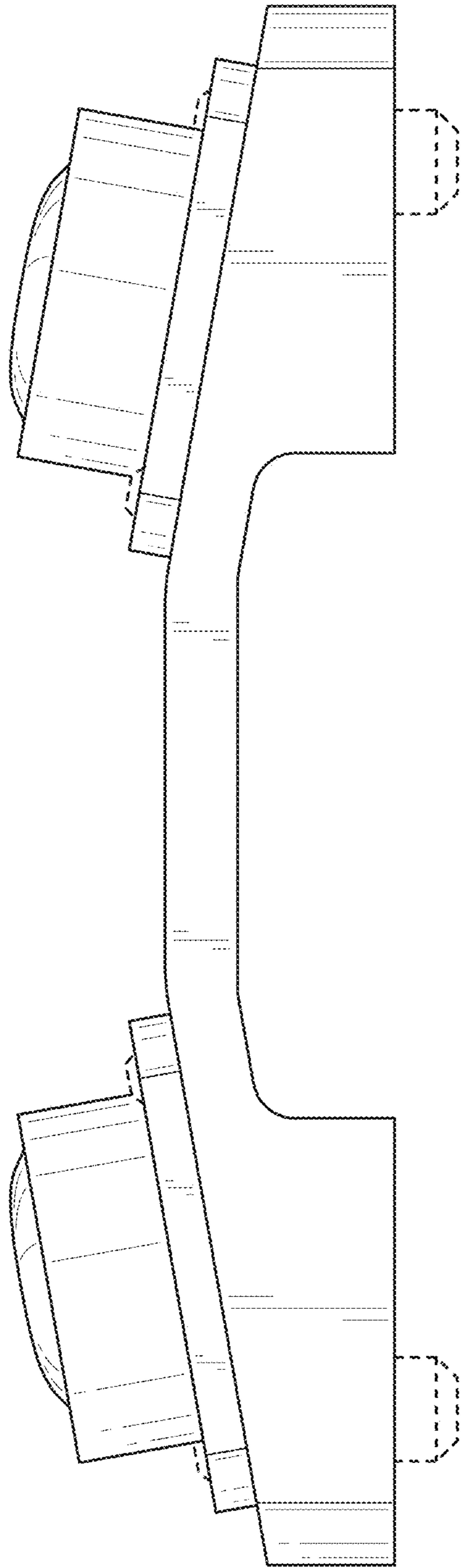


FIG. 3

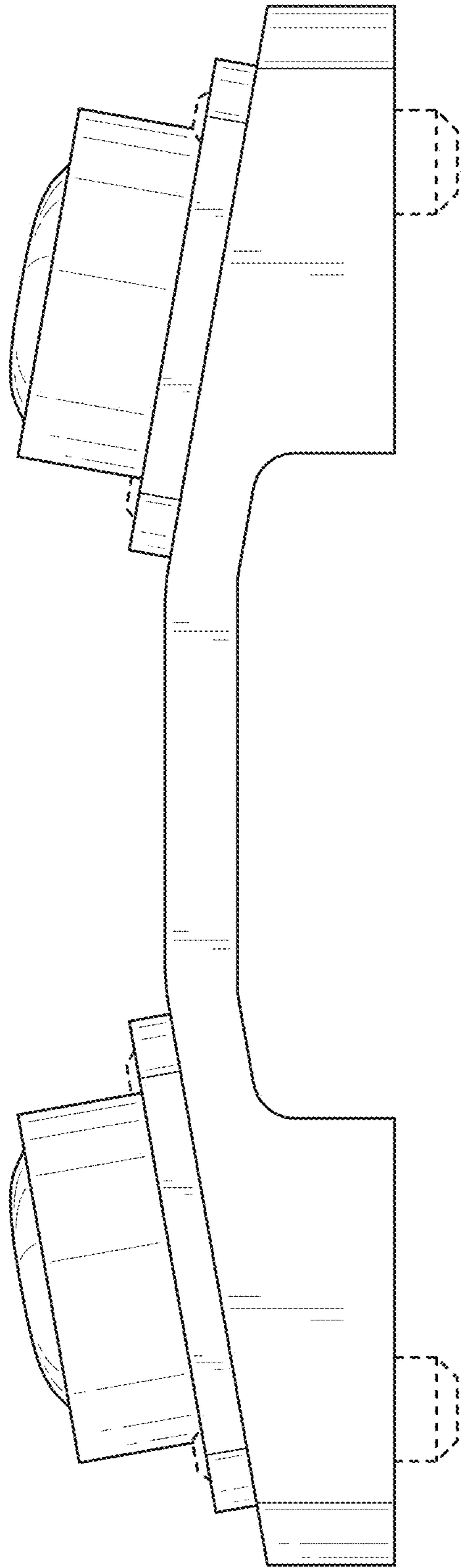


FIG. 4

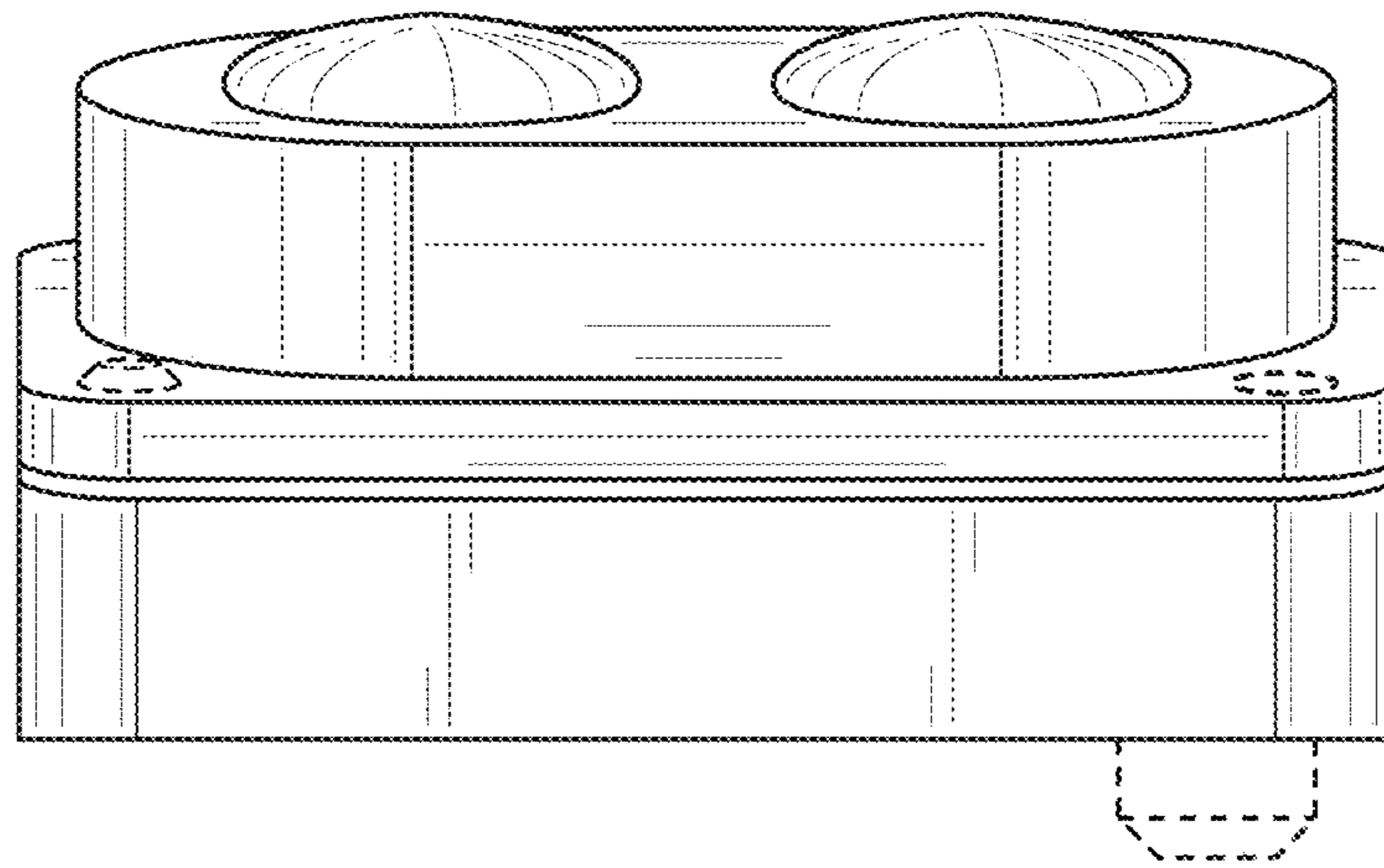


FIG. 5

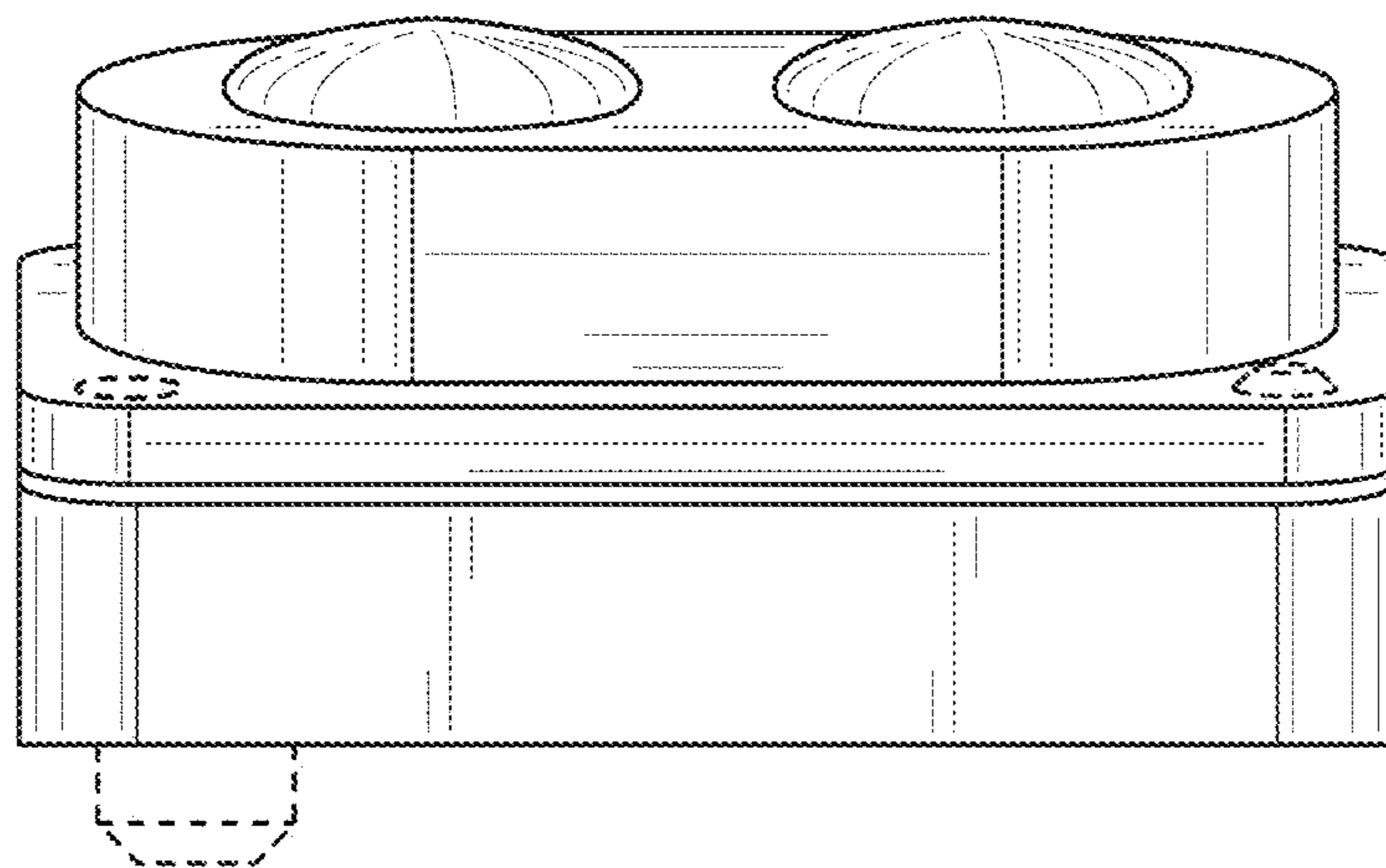


FIG. 6

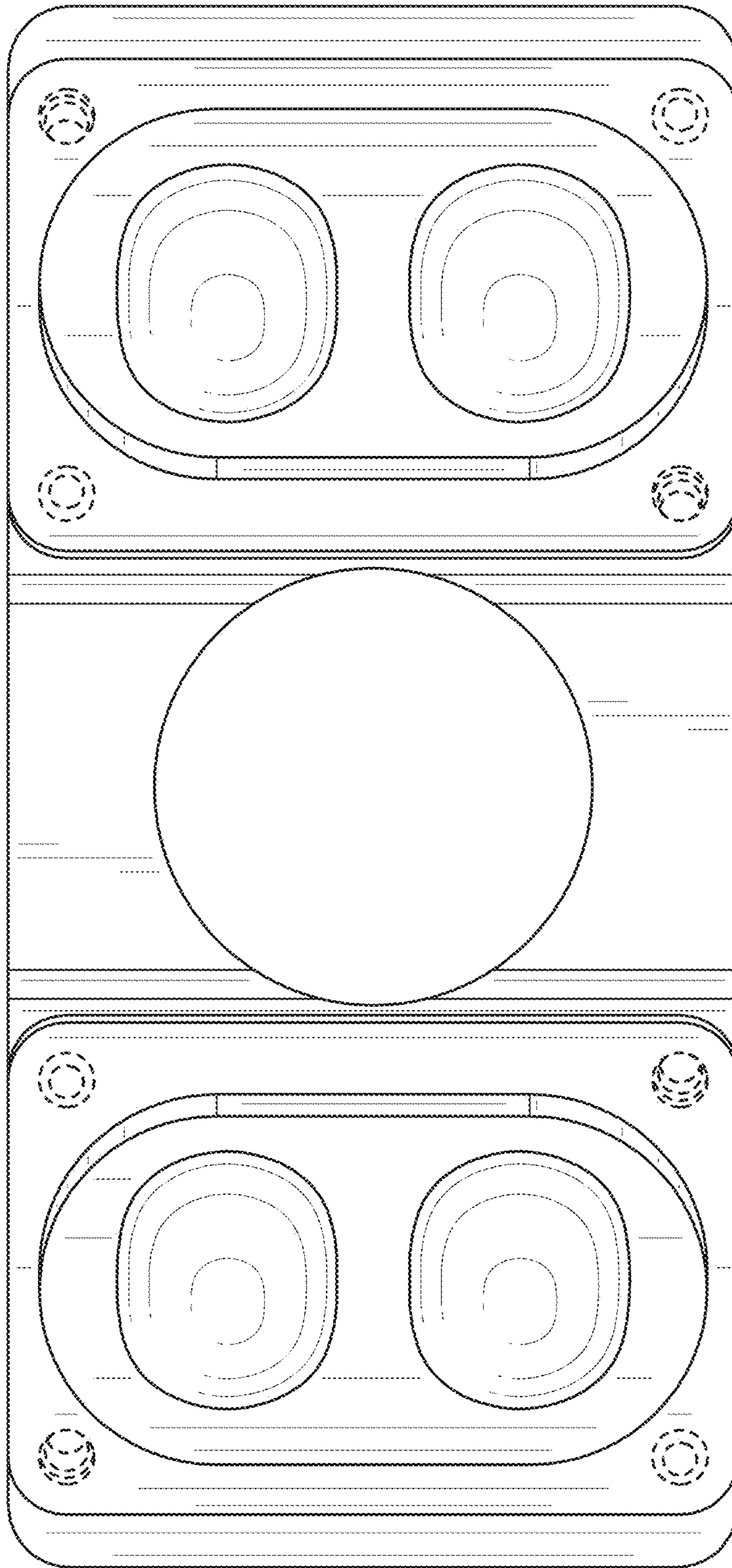


FIG. 7

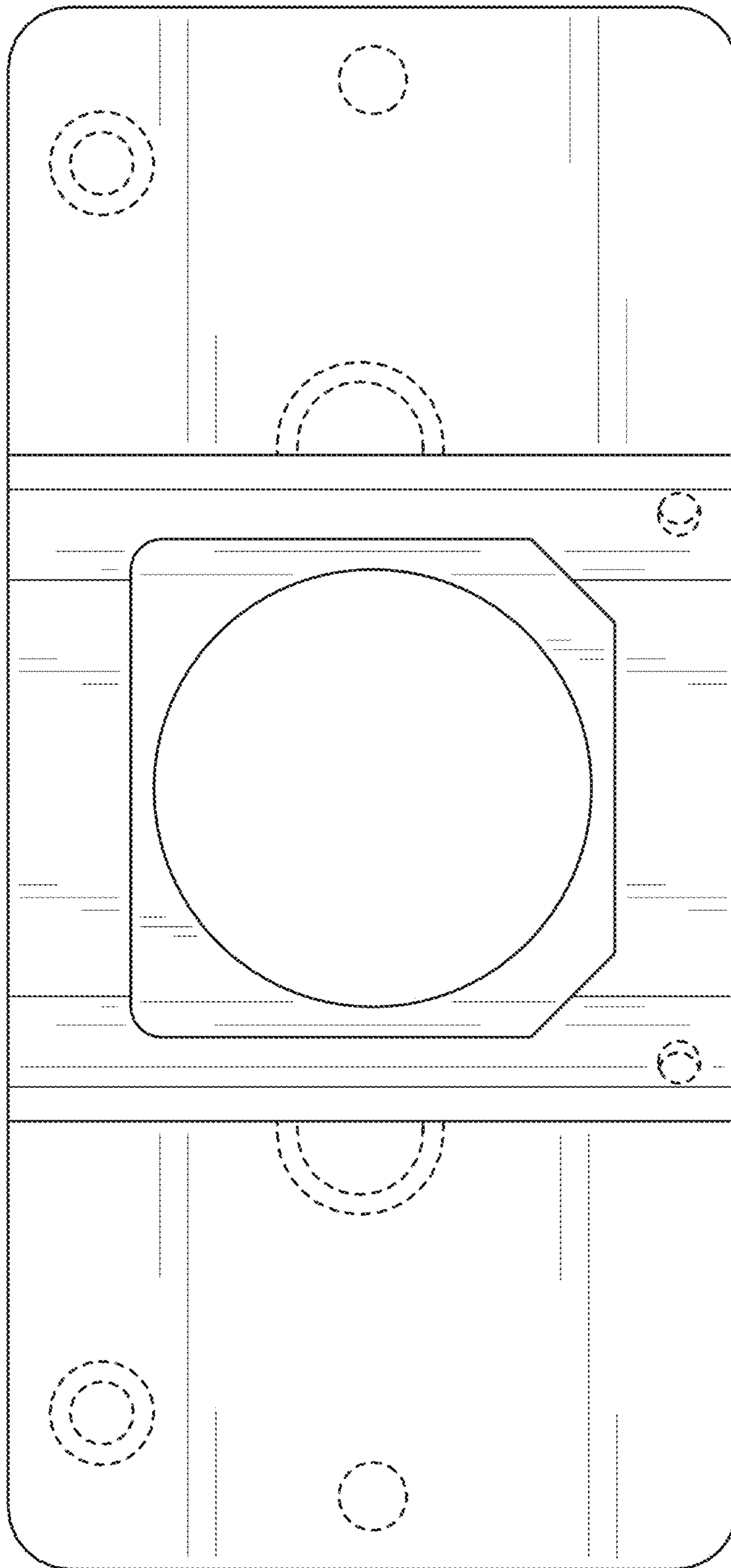


FIG. 8