



(12) **United States Design Patent**
Arni et al.

(10) **Patent No.:** **US D899,668 S**
(45) **Date of Patent:** **** Oct. 20, 2020**

- (54) **SUSPENDED PYRAMIDAL LUMINAIRE WITH SOUND DAMPENING**
- (71) Applicant: **SIGNIFY HOLDING B.V.**, Eindhoven (NL)
- (72) Inventors: **Sohana Arni**, Aurora, CO (US);
Alexander James Ross, Aurora, CO (US)
- (73) Assignee: **SIGNIFY HOLDING B.V.**, Eindhoven (NL)
- (**) Term: **15 Years**
- (21) Appl. No.: **29/691,672**
- (22) Filed: **May 17, 2019**
- (51) **LOC (12) Cl.** **26-03**
- (52) **U.S. Cl.**
USPC **D26/88; D26/135**
- (58) **Field of Classification Search**
USPC D26/84, 85, 86, 88, 89, 91, 118, 128,
D26/129, 131-133, 135, 136, 137
CPC F21S 8/04; F21S 8/046; F21S 8/06; F21S
8/061; F21S 8/063; F21S 8/065; F21V
1/20
See application file for complete search history.

D596,338 S * 7/2009 Sabernig D26/88
D633,645 S 3/2011 Verelst
D686,363 S * 7/2013 Smith D26/118
D760,420 S * 6/2016 Tomlinson D26/81
(Continued)

FOREIGN PATENT DOCUMENTS

DE 102008026504 12/2009
DE 102015101480 8/2016
(Continued)

OTHER PUBLICATIONS

Nordic Style Pyramid Pendant Light Paper 1 Bulb Drop Ceiling Lighting in Brown for Restaurant Code:# HL503234 from beautifulhalo.com, visited Jun. 21, 2020. (Year: 2020).*
(Continued)

Primary Examiner — Clare E Heflin

(57) **CLAIM**

The ornamental design for a suspended pyramidal luminaire with sound dampening, as shown and described.

DESCRIPTION

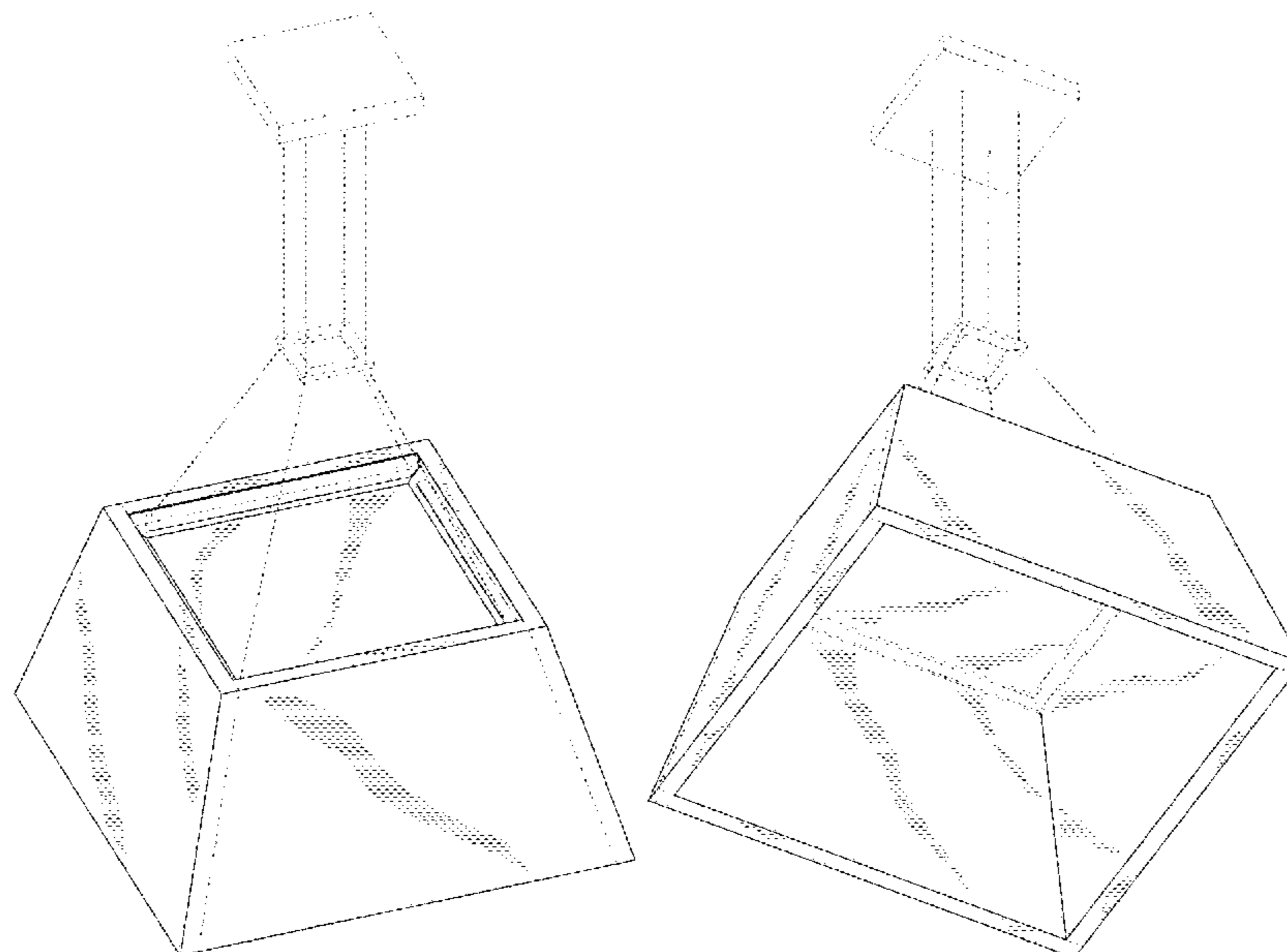
FIG. 1 is a top perspective view of a suspended pyramidal luminaire with sound dampening, showing our new design; FIG. 2 is a bottom perspective view thereof; FIG. 3 is a top plan view thereof; FIG. 4 is a bottom view thereof; FIG. 5 is a front elevation view thereof, the back elevation view being the mirror image of the front elevation view; and, FIG. 6 is a right side elevation view thereof, the left side elevation view thereof being the mirror image of the right side elevation view.
The broken lines shown in the figures illustrate portions of the suspended pyramidal luminaire with sound dampening that form no part of the claimed design.

1 Claim, 6 Drawing Sheets

(56) **References Cited**

U.S. PATENT DOCUMENTS

D221,181 S 7/1971 Bobrick
D267,900 S 2/1983 Ishii
5,541,824 A * 7/1996 Perkins B44F 1/00
362/163
D377,402 S * 1/1997 Perkins D26/135
D459,525 S 6/2002 Barry
D469,562 S 1/2003 Crasset
D547,483 S 7/2007 Pickett
D575,444 S * 8/2008 Lissoni D26/137



(56)

References Cited

U.S. PATENT DOCUMENTS

D806,929 S * 1/2018 Clark D26/88
 D814,691 S 4/2018 Clark
 D817,537 S * 5/2018 Clark D26/88
 D878,663 S * 3/2020 Kwon D26/88
 D880,754 S * 4/2020 Ross D26/88
 D880,756 S * 4/2020 Cornelissen D26/88
 2012/0137550 A1 * 6/2012 Stafford G09F 7/18
 40/541
 2013/0027927 A1 1/2013 Wegger
 2014/0153257 A1 * 6/2014 Smith F21V 1/14
 362/355
 2014/0211457 A1 7/2014 Tarsa
 2015/0300605 A1 * 10/2015 Clark F21V 1/22
 362/367
 2015/0338038 A1 * 11/2015 Feit F21V 19/0045
 362/147
 2016/0245488 A1 * 8/2016 Clark F21S 2/00
 2017/0276327 A1 * 9/2017 Clark F21V 3/00
 2018/0039014 A1 2/2018 Hung
 2018/0274769 A1 * 9/2018 Vavruskova F21V 21/008
 2018/0334804 A1 11/2018 Patterson
 2019/0339443 A1 * 11/2019 Ross F21V 23/023

FOREIGN PATENT DOCUMENTS

EP 2573461 3/2013
 EP 2653775 10/2013
 EP 2765354 8/2014

OTHER PUBLICATIONS

Coolie Square Lampshade by Cooper and Silk, from eporta.com visited Jun. 21, 2020. (Year: 2020).
 Boxhaped Pendants in photo accompanying Interiors and Sources article titled 'Acoustic Lighting Offers Defense Against Noise Pollution' by Rachel Kats Nov. 6, 2018. From <<https://www.interiorsandsources.com/article-details/articleid/22386/title/lightart-merges-acoustics-lighting>>. (Year: 2018).
 Vapor Echo Rectilinear by Luxxbox. Spec Sheet © Sep. 2019 from luxxbox.com. (Year: 2019).
 Lightart.com; I/O LightArt Brochure; Aug. 2017.
 Acoustic Solutions. <https://www.focalpointlights.com/acousticsolutions> Retrieved Jun. 20, 2019. pp. 1-6.
 International Search Report for PCT/EP2019/025140, dated Jul. 1, 2019.

* cited by examiner

FIGURE 1

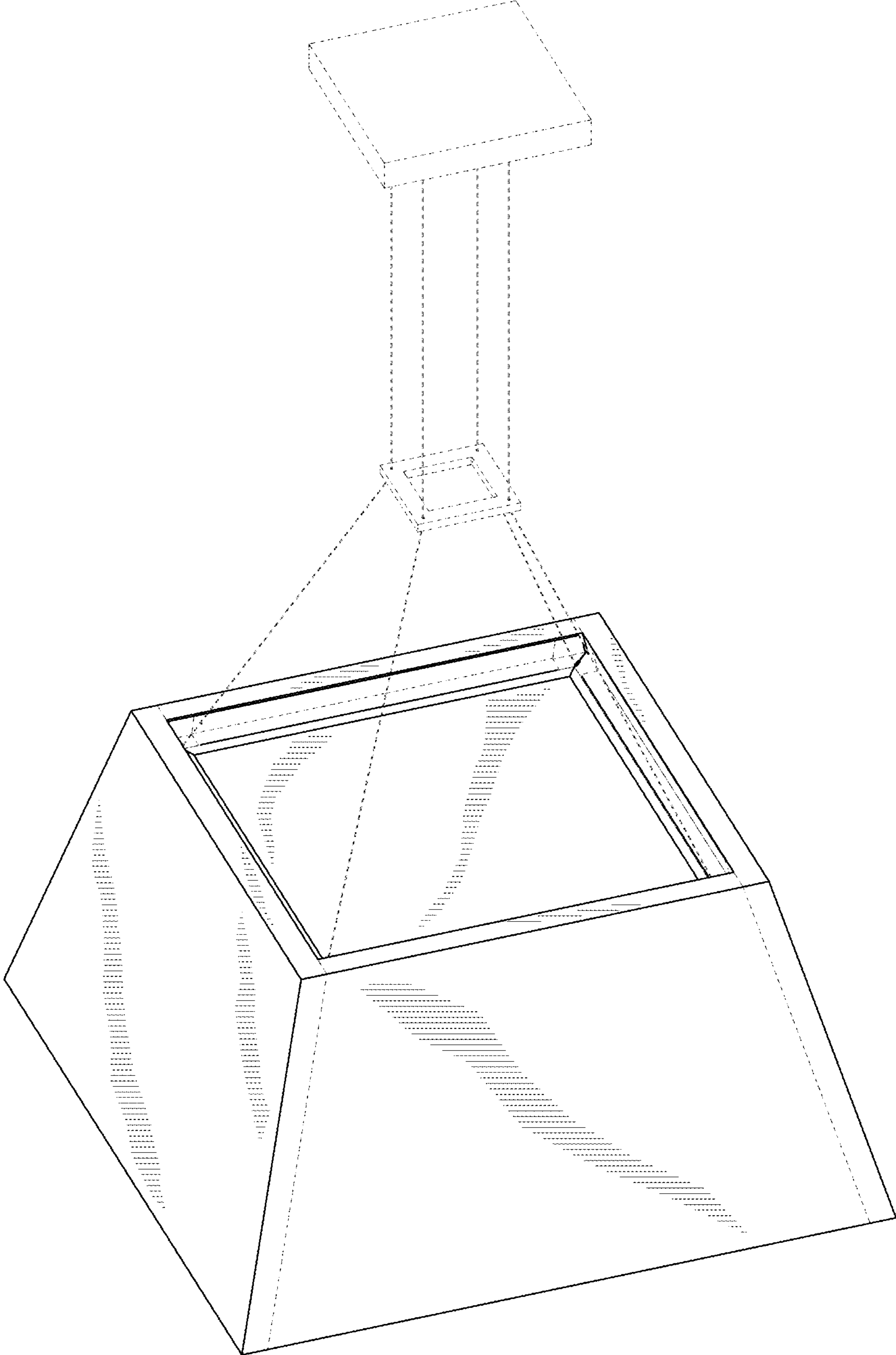


FIGURE 2

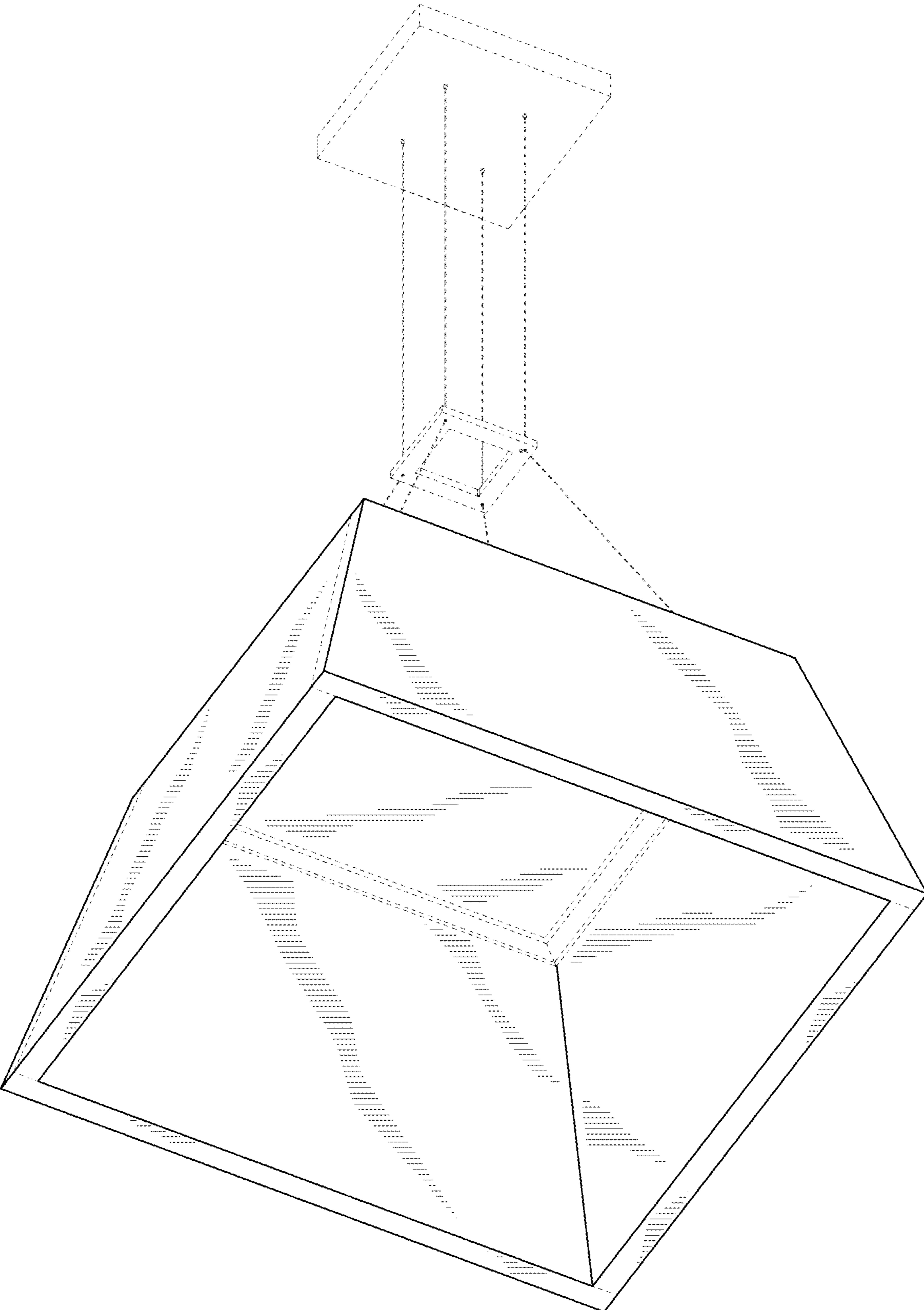


FIGURE 3

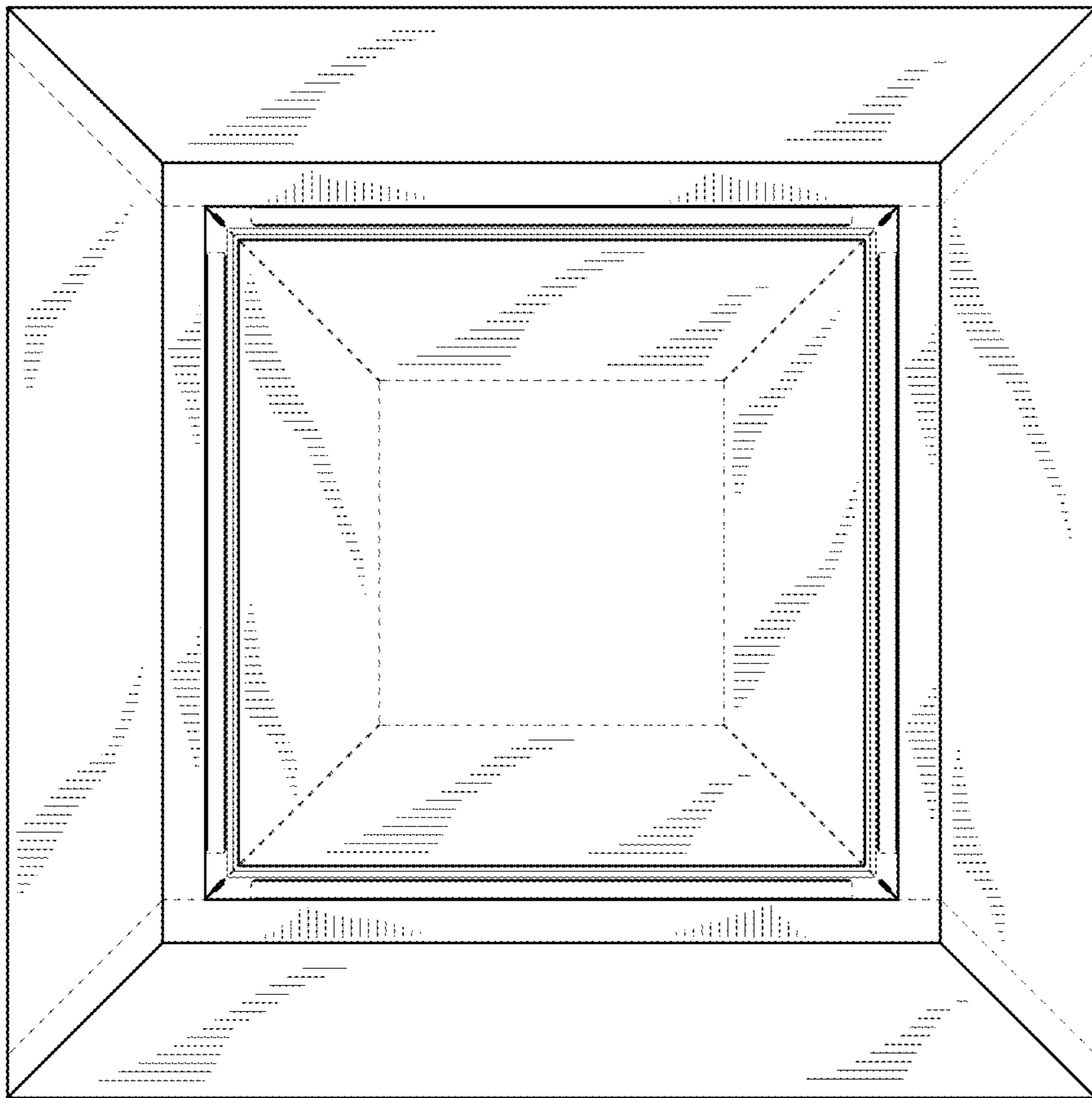


FIGURE 4

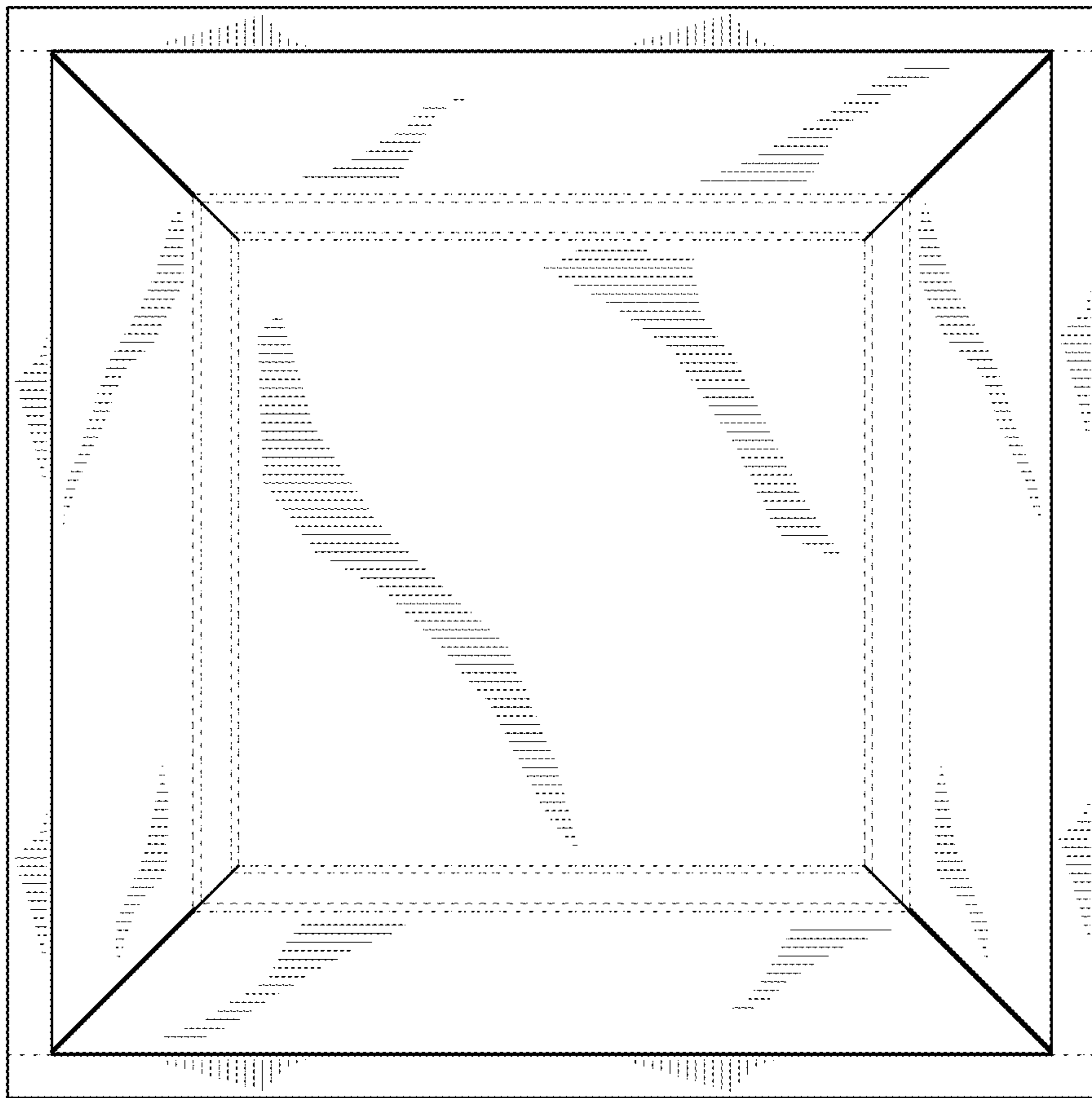


FIGURE 5

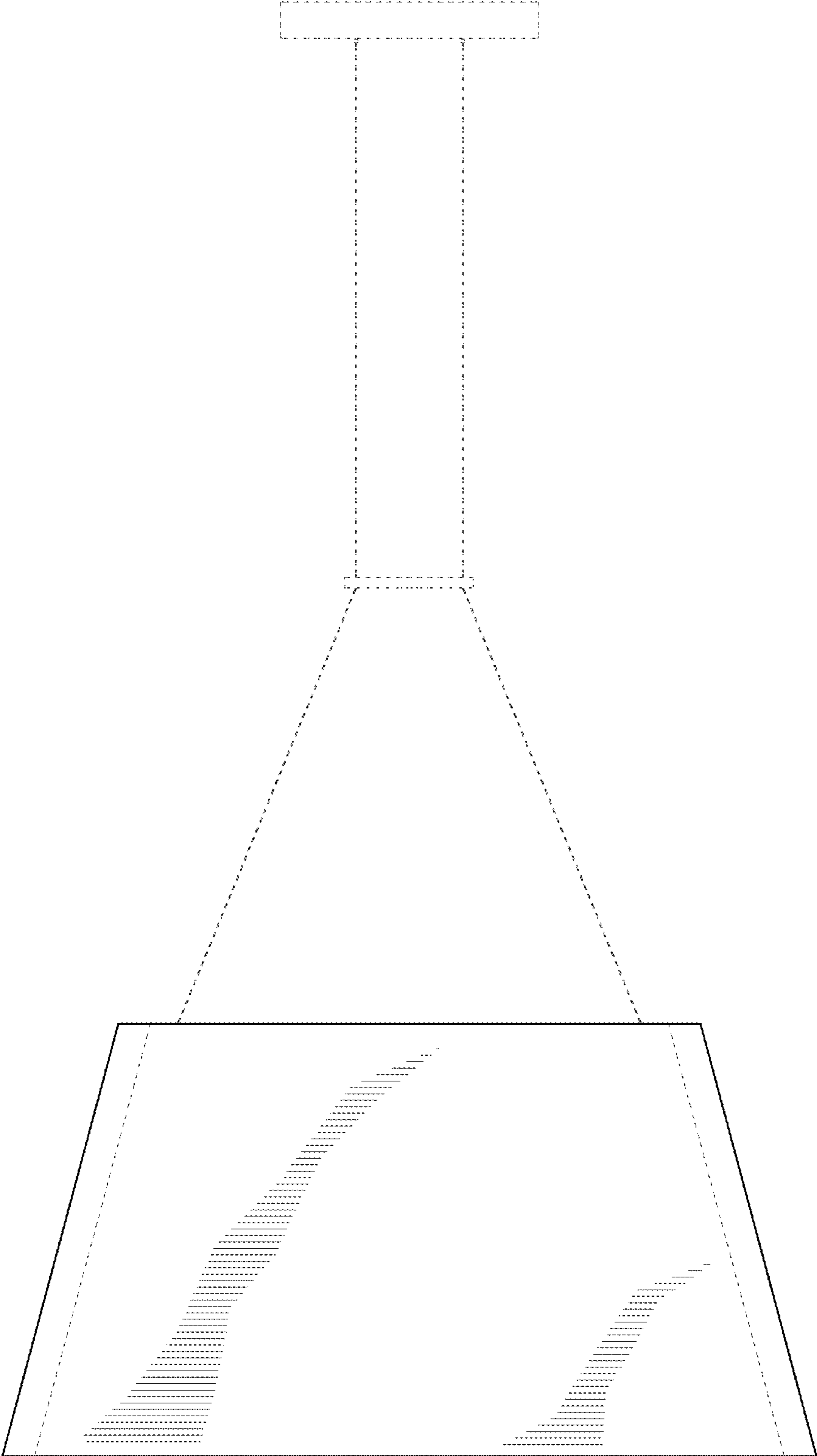


FIGURE 6

