



US00D899667S

(12) **United States Design Patent**
Arni et al.

(10) **Patent No.:** **US D899,667 S**

(45) **Date of Patent:** **** Oct. 20, 2020**

(54) **SUSPENDED CYLINDRICAL LUMINAIRE WITH SOUND DAMPENING**

D686,363 S * 7/2013 Smith D26/118
D716,486 S * 10/2014 Martin D26/141
D770,665 S * 11/2016 Sonneman D26/88
D806,929 S * 1/2018 Clark D26/88

(71) Applicant: **SIGNIFY HOLDING B.V.**, Eindhoven (NL)

(Continued)

(72) Inventors: **Sohana Arni**, Aurora, CO (US);
Alexander James Ross, Aurora, CO (US)

FOREIGN PATENT DOCUMENTS

DE 102008026504 12/2009
DE 102015101480 8/2016

(Continued)

(73) Assignee: **SIGNIFY HOLDING B.V.**, Eindhoven (NL)

OTHER PUBLICATIONS

(**) Term: **15 Years**

Video titled "LightArt 6ft Acoustic Ring: Case Study—Conference Room Before & After" posted at youtube.com on Sep. 22, 2018. (Year: 2018).*

(Continued)

(21) Appl. No.: **29/691,667**

(22) Filed: **May 17, 2019**

Primary Examiner — Clare E Heflin

(51) **LOC (12) Cl.** **26-03**

(52) **U.S. Cl.**
USPC **D26/88; D26/137**

(58) **Field of Classification Search**
USPC D26/84, 85, 86, 88, 89, 91, 118, 128,
D26/129, 131–133, 135, 136, 137
CPC F21S 8/04; F21S 8/046; F21S 8/06; F21S
8/061; F21S 8/063; F21S 8/065; F21V
1/20

(57) **CLAIM**

The ornamental design for a suspended cylindrical luminaire with sound dampening, as shown and described.

DESCRIPTION

See application file for complete search history.

FIG. 1 is a top perspective view of a suspended cylindrical luminaire with sound dampening, showing our new design; FIG. 2 is a bottom perspective view thereof; FIG. 3 is a top plan view thereof; FIG. 4 is a bottom view thereof; FIG. 5 is a front elevation view thereof, the back elevation view being the mirror image of the front elevation view; and, FIG. 6 is a right side elevation view thereof, the left side elevation view thereof being the mirror image of the right side elevation view.

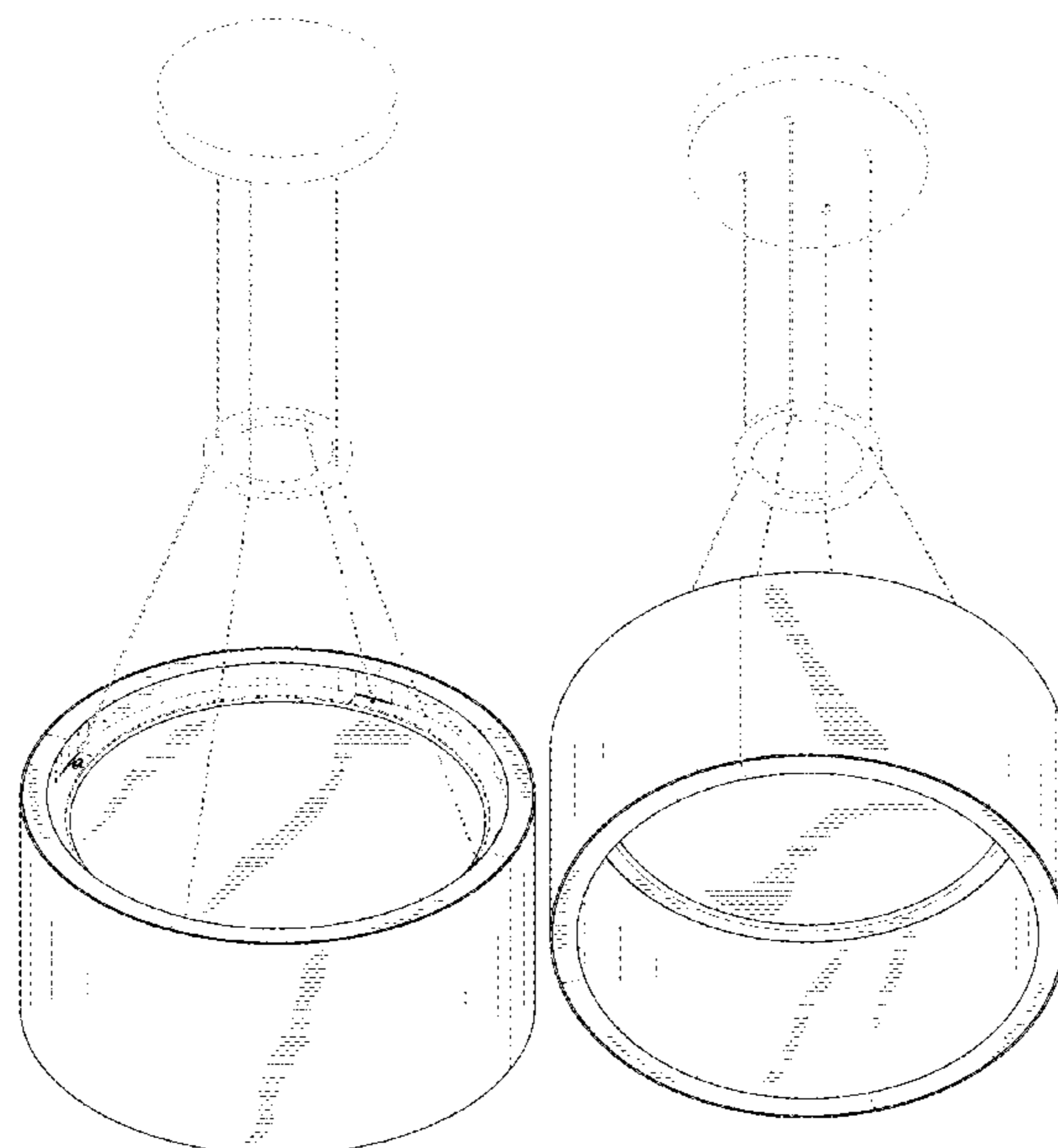
The broken lines shown in the figures illustrate portions of the suspended cylindrical luminaire with sound dampening that form no part of the claimed design.

(56) **References Cited**

U.S. PATENT DOCUMENTS

D221,181 S 7/1971 Bobrick
D267,900 S 2/1983 Ishii
D459,525 S 6/2002 Barry
D469,562 S 1/2003 Crasset
D547,483 S 7/2007 Pickett
D575,444 S * 8/2008 Lissoni D26/137
D596,338 S * 7/2009 Sabernig D26/88
D633,645 S 3/2011 Verelst
D674,962 S * 1/2013 Drake D26/118

1 Claim, 5 Drawing Sheets



(56)

References Cited

U.S. PATENT DOCUMENTS

D817,537 S * 5/2018 Clark D26/88
 D878,663 S * 3/2020 Kwon D26/88
 D880,754 S * 4/2020 Ross D26/88
 D880,756 S * 4/2020 Cornelissen D26/88
 2012/0137550 A1* 6/2012 Stafford G09F 7/18
 40/541
 2013/0027927 A1 1/2013 Wegger
 2014/0153257 A1* 6/2014 Smith F21V 1/14
 362/355
 2014/0211457 A1 7/2014 Tarsa
 2015/0300605 A1* 10/2015 Clark F21V 1/22
 362/367
 2016/0245488 A1* 8/2016 Clark F21S 2/00
 2017/0138561 A1* 5/2017 Van Strander F21V 17/08
 2017/0276327 A1* 9/2017 Clark F21V 3/00
 2018/0039014 A1 2/2018 Hung
 2018/0274769 A1* 9/2018 Vavruskova F21V 21/008
 2019/0339443 A1* 11/2019 Ross F21V 23/023

FOREIGN PATENT DOCUMENTS

EP 2573461 3/2013
 EP 2653775 10/2013
 EP 2765354 8/2014

OTHER PUBLICATIONS

Accoustic Solutions. <https://www.focalpointlights.com/acousticsolutions> Retrieved Jun. 20, 2019. pp. 1-6.
 International Search Report for PCT/EP2019/025140, dated Jul. 1, 2019.
 Boxhaped Pendants in photo accompanying Interiors and Sources article titled 'Acoustic Lighting Offers Defense Against Noise Pollution' by Rachel Kats Nov. 6, 2018. From <<https://www.interiorsandsources.com/article-details/articleid/22386/title/lightart-merges-acoustics-lighting>>. (Year: 2018).
 Vapor Echo Rectilinear by Luxxbox. Spec Sheet © Sep. 2019 from luxxbox.com. (Year: 2019).

* cited by examiner

FIGURE 1

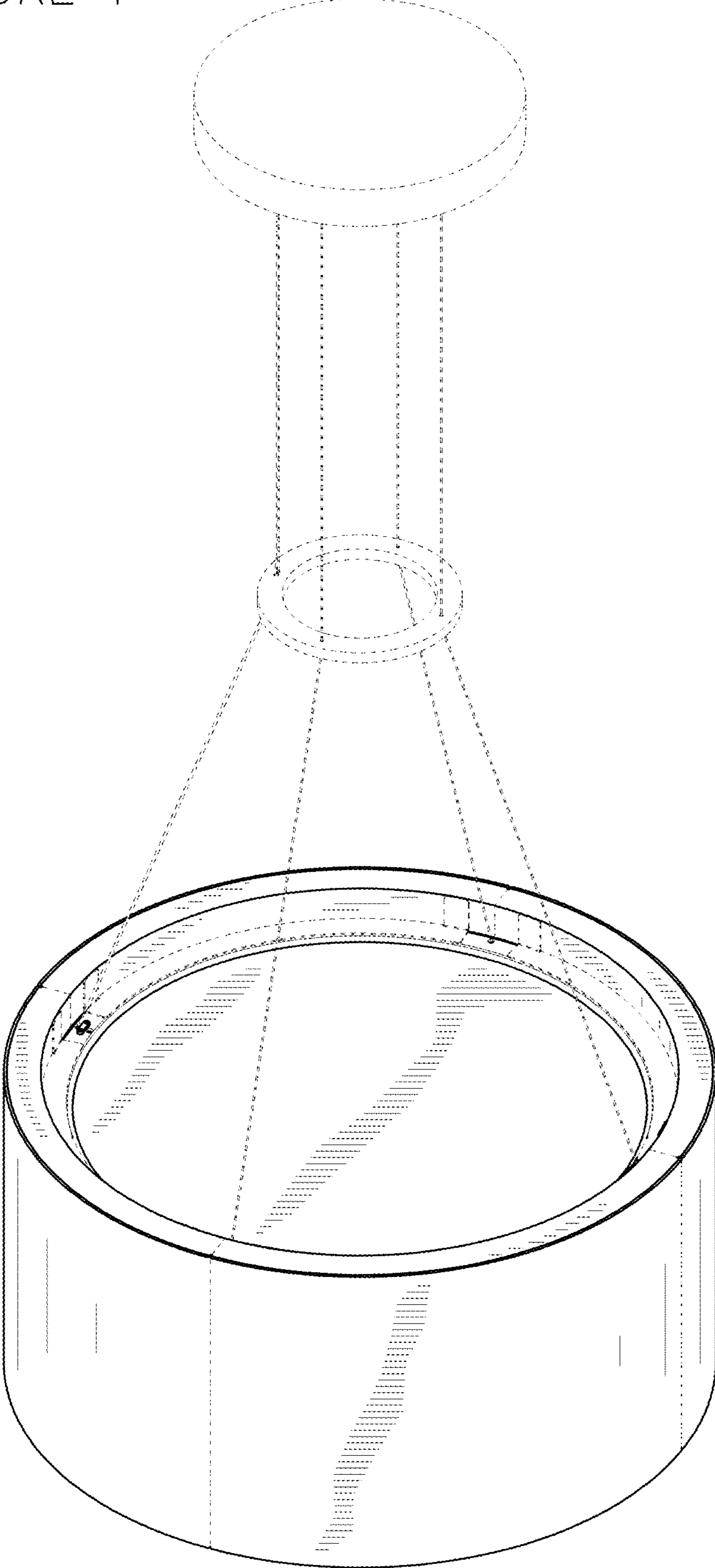


FIGURE 2

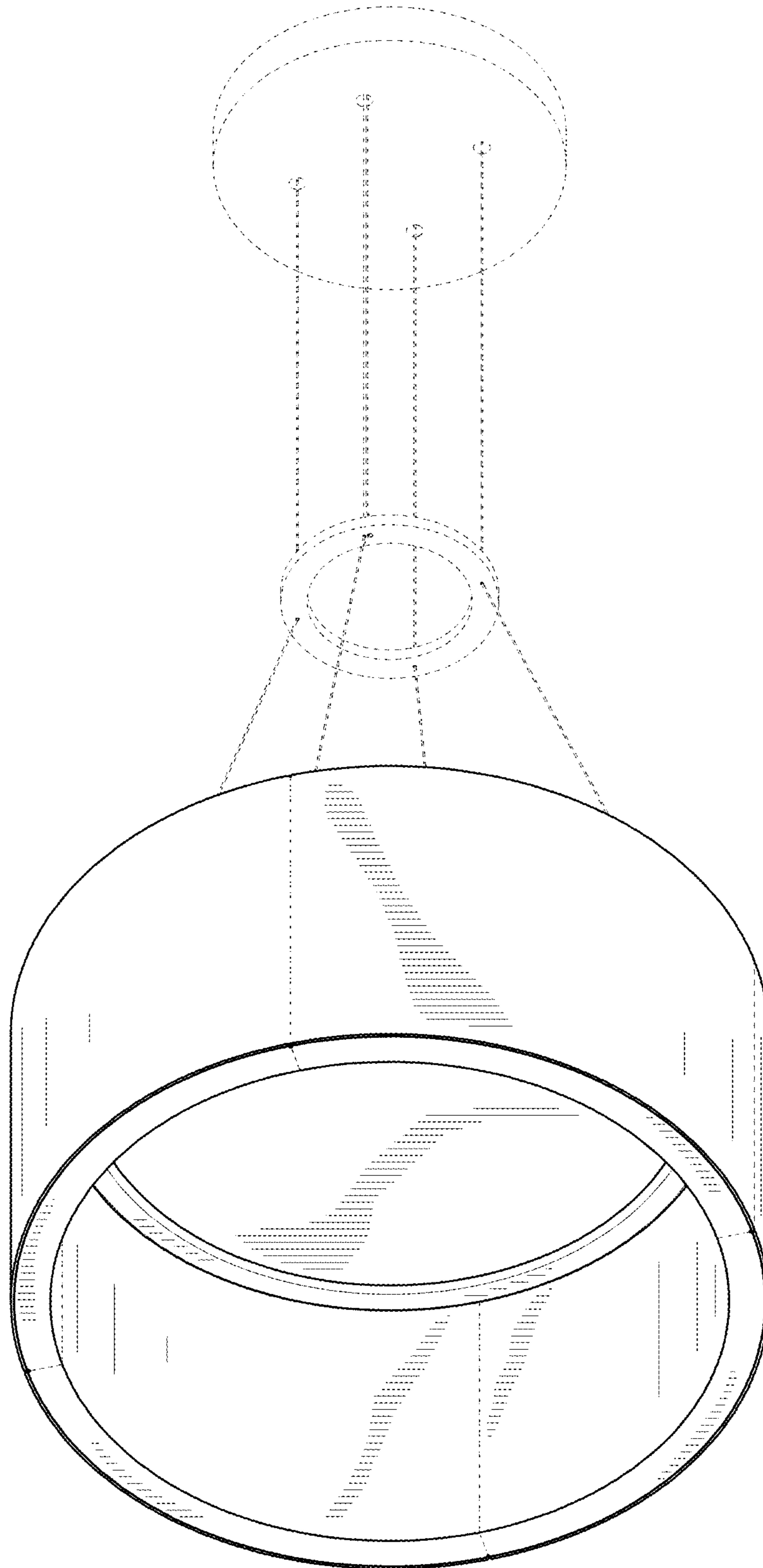


FIGURE 3

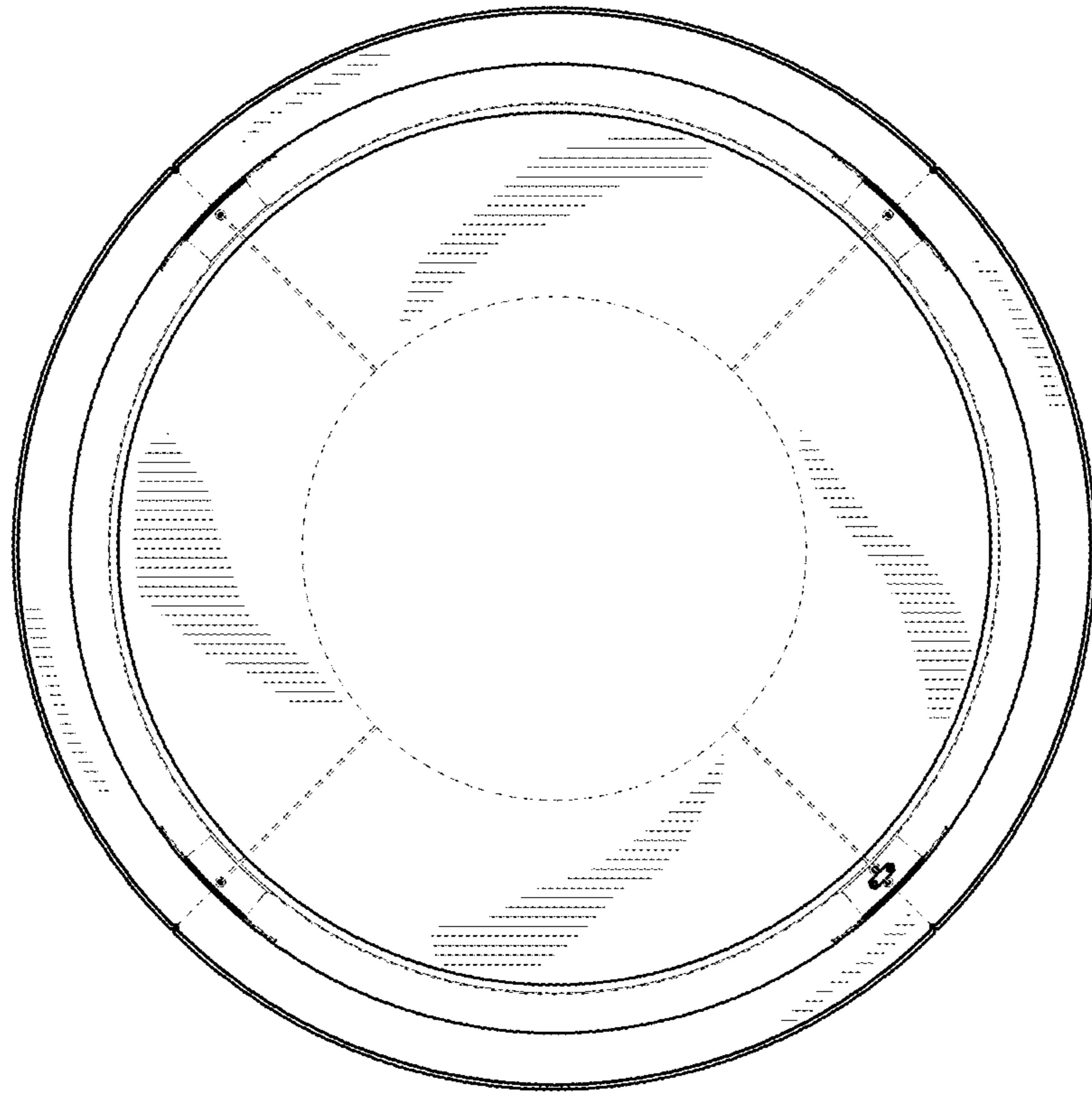


FIGURE 4

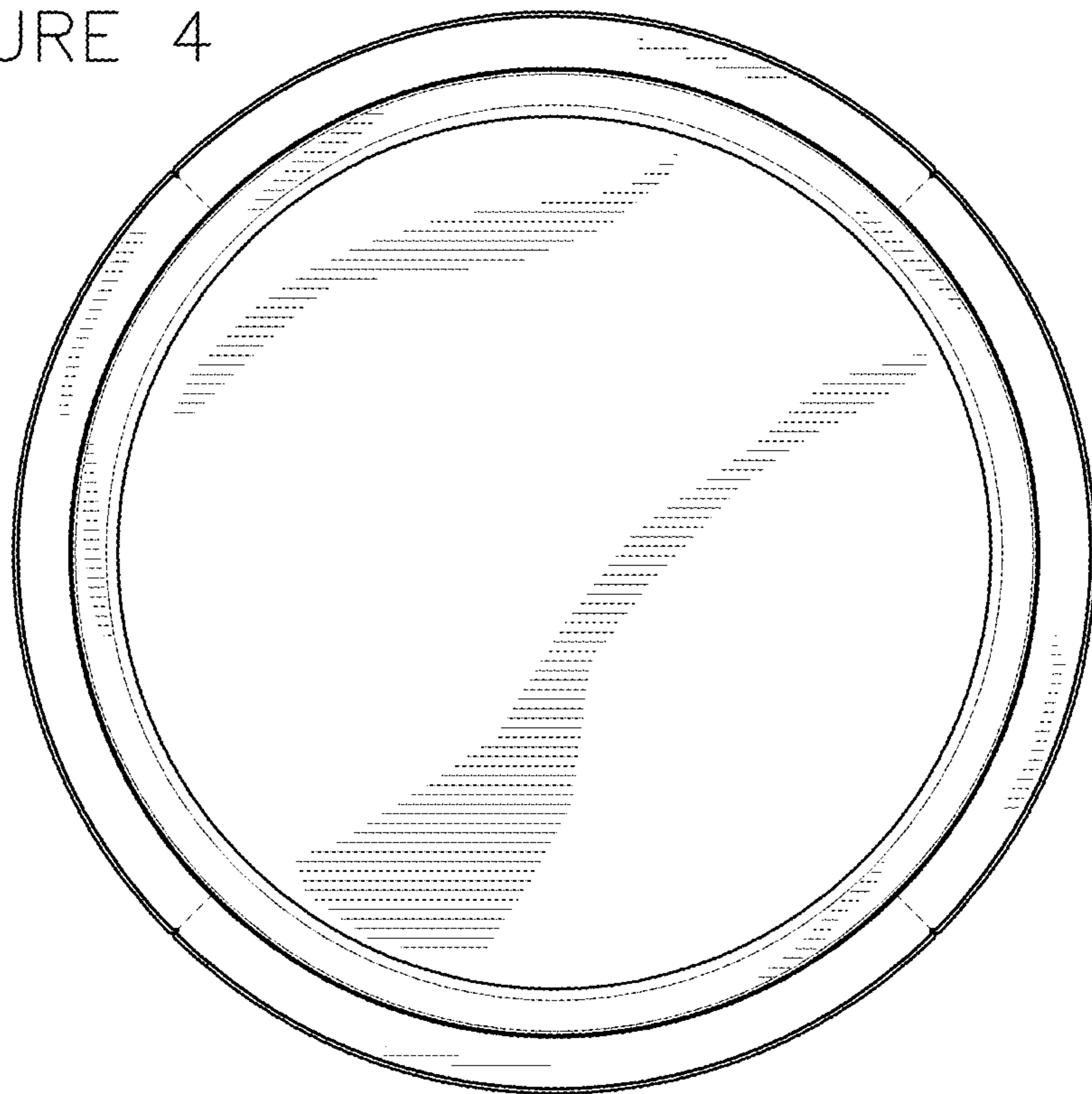


FIGURE 5

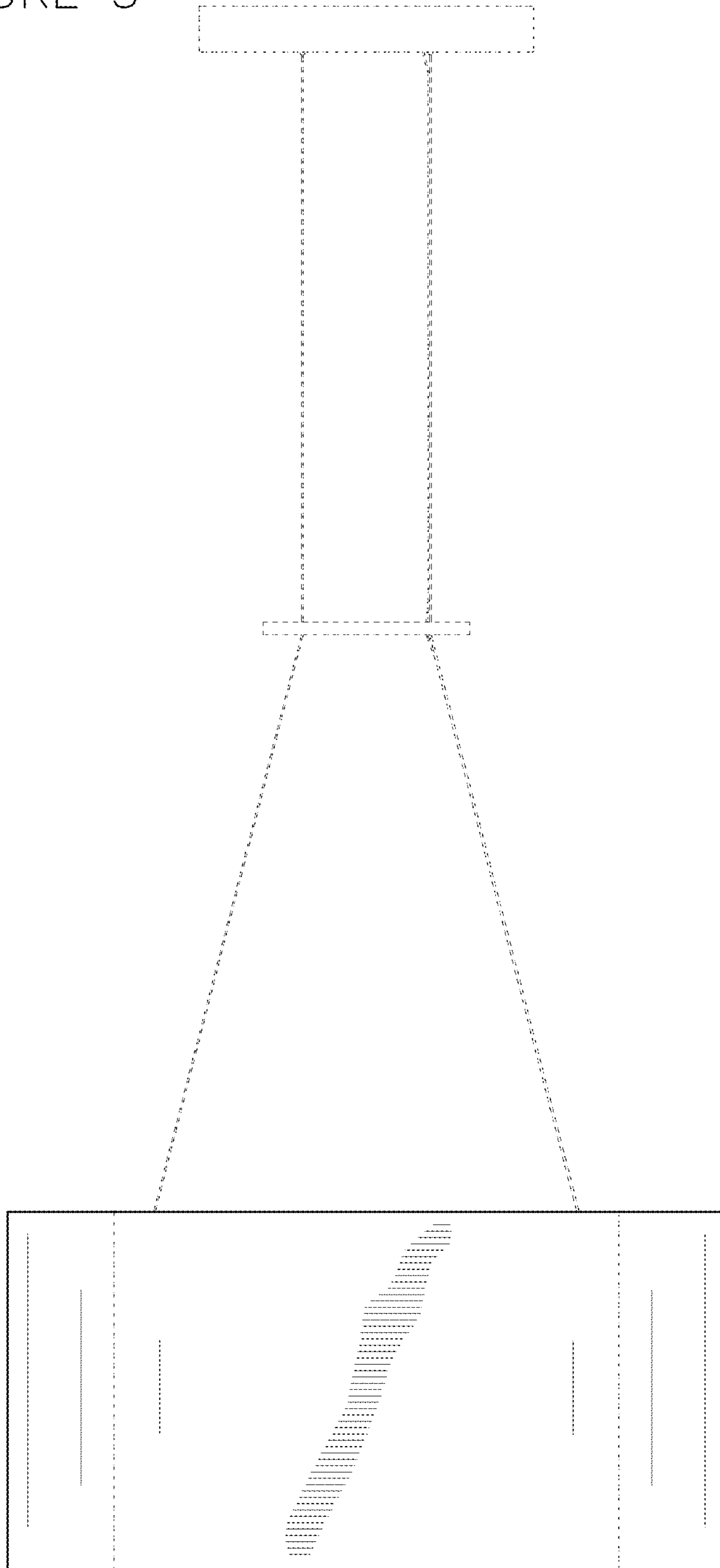


FIGURE 6

