

US00D899664S

(12) **United States Design Patent**  
**Mai**

(10) **Patent No.:** **US D899,664 S**

(45) **Date of Patent:** **\*\* Oct. 20, 2020**

(54) **SOLAR WALL LIGHT**

(71) Applicant: **Quanhua Mai**, Zhongshan (CN)

(72) Inventor: **Quanhua Mai**, Zhongshan (CN)

(\*\*) Term: **15 Years**

(21) Appl. No.: **29/728,836**

(22) Filed: **Mar. 21, 2020**

(51) **LOC (12) Cl.** ..... **26-03**

(52) **U.S. Cl.**  
USPC ..... **D26/85**

(58) **Field of Classification Search**  
USPC ..... D26/72, 85, 92; D10/106.6, 106.8  
CPC .... F21S 8/03; F21S 8/033; F21S 8/036; F21S  
8/037; F21S 9/022; F21S 9/024; F21S  
9/03; F21S 9/035; F21S 9/037; F21W  
2131/107; G08B 13/193  
See application file for complete search history.

(56) **References Cited**

**U.S. PATENT DOCUMENTS**

D189,857 S *	3/1961	Lasker	.....	D26/85
D213,391 S *	2/1969	Bruno	.....	D26/86
D255,106 S *	5/1980	Bodenrader	.....	D10/111
4,217,629 A *	8/1980	Russell	.....	F21S 8/037 362/147
D272,193 S	1/1984	Sangiamo		
D307,245 S *	4/1990	Biersdorff	.....	D10/106.6
5,307,254 A *	4/1994	Russello	.....	F21V 21/02 362/368
5,309,341 A *	5/1994	Russello	.....	F21S 8/033 362/300
5,349,134 A *	9/1994	Russell	.....	F21S 8/033 174/492
D465,593 S	11/2002	Chang		
D481,819 S	11/2003	Cheong et al.		
D482,478 S	11/2003	Cheong		
D500,157 S	12/2004	Chen		

7,055,992 B1 *	6/2006	Accornero	.....	F21S 8/033 362/368
D530,037 S	10/2006	Bucher et al.		
D562,491 S	2/2008	DiCola		
D668,810 S	10/2012	Bryant		
D716,990 S	11/2014	Yu		
D774,681 S	12/2016	Liang et al.		
D782,720 S	3/2017	Moghal et al.		
D791,994 S	7/2017	Liu		
D808,569 S	1/2018	Ban		
D816,880 S *	5/2018	Mou	.....	D26/85
D844,213 S *	3/2019	Liu	.....	D26/85

(Continued)

**OTHER PUBLICATIONS**

Motion Sensor Solar Gutter Light with Hook, Item #44209 from collectionset.com visited Jun. 30, 2020. (Year: 2020).\*

(Continued)

*Primary Examiner* — Clare E Heflin

(74) *Attorney, Agent, or Firm* — Law Offices of Steven W. Weinrieb

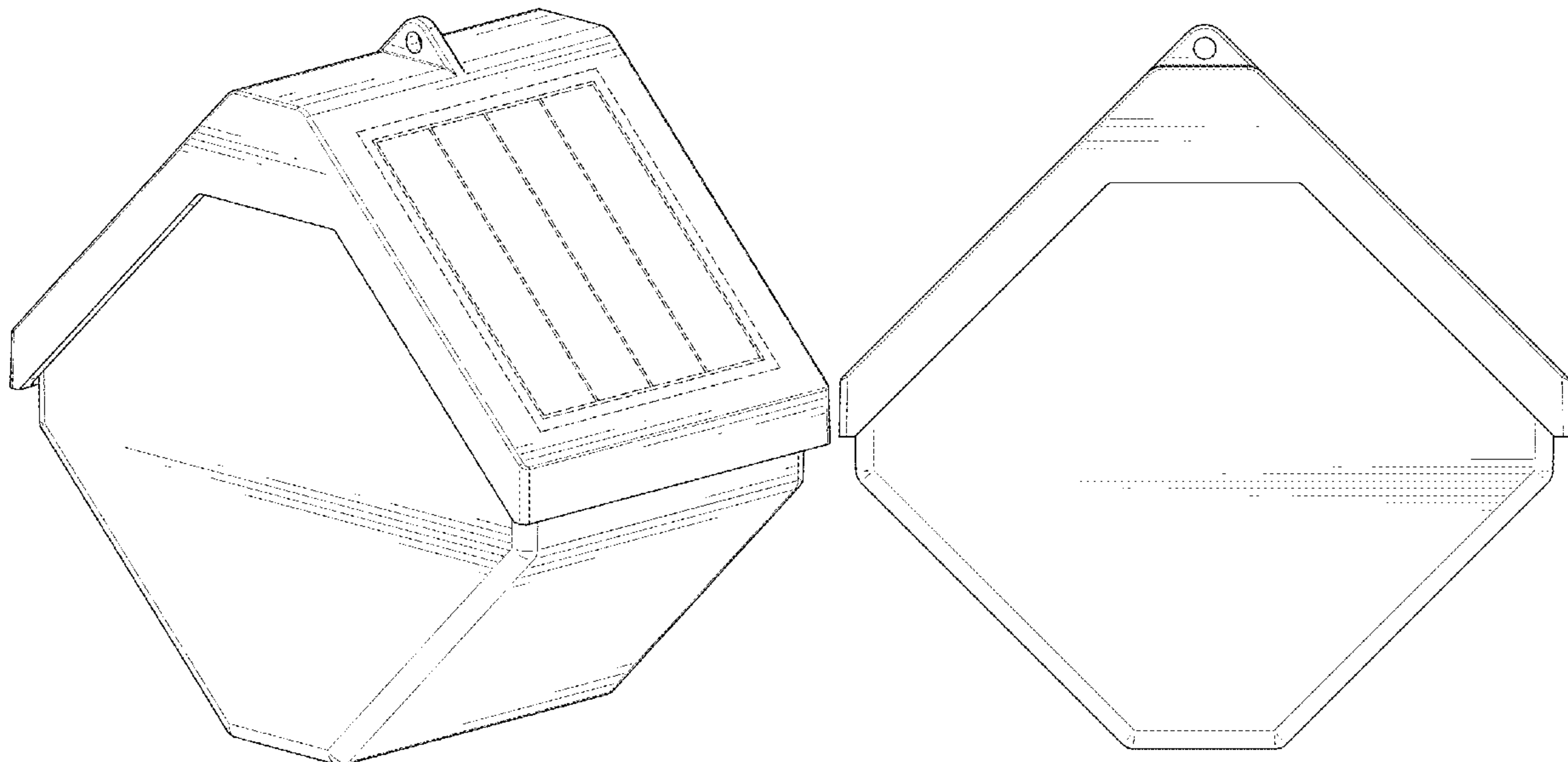
(57) **CLAIM**

The ornamental design for a solar wall light, as shown and described.

**DESCRIPTION**

FIG. 1 is a front, right side, top perspective view of a solar wall light showing my new design; FIG. 2 is a rear, left side, bottom perspective view thereof; FIG. 3 is a front elevational view thereof; FIG. 4 is a rear elevational view thereof; FIG. 5 is a left side elevational view thereof; FIG. 6 is a right side elevational view thereof; FIG. 7 is a top plan view thereof; and, FIG. 8 is a bottom plan view thereof. The broken lines depict portions of the solar wall light that form no part of the claimed design.

**1 Claim, 8 Drawing Sheets**



(56)

**References Cited**

U.S. PATENT DOCUMENTS

D853,008 S 7/2019 Joyeux  
2006/0034080 A1\* 2/2006 Tsao ..... F21V 1/08  
362/253  
2015/0330587 A1\* 11/2015 Lax ..... F21V 23/04  
362/191

OTHER PUBLICATIONS

Designers Edge Solar Light model #38NH74 from grainger.com,  
visited Jun. 29, 2020. (Year: 2020).\*

X-Power Diamond Shape Solar Light. ASIN: B07H5NSPFJ. Avail-  
able at amazon.com Sep. 7, 2018. (Year: 2018).\*

\* cited by examiner

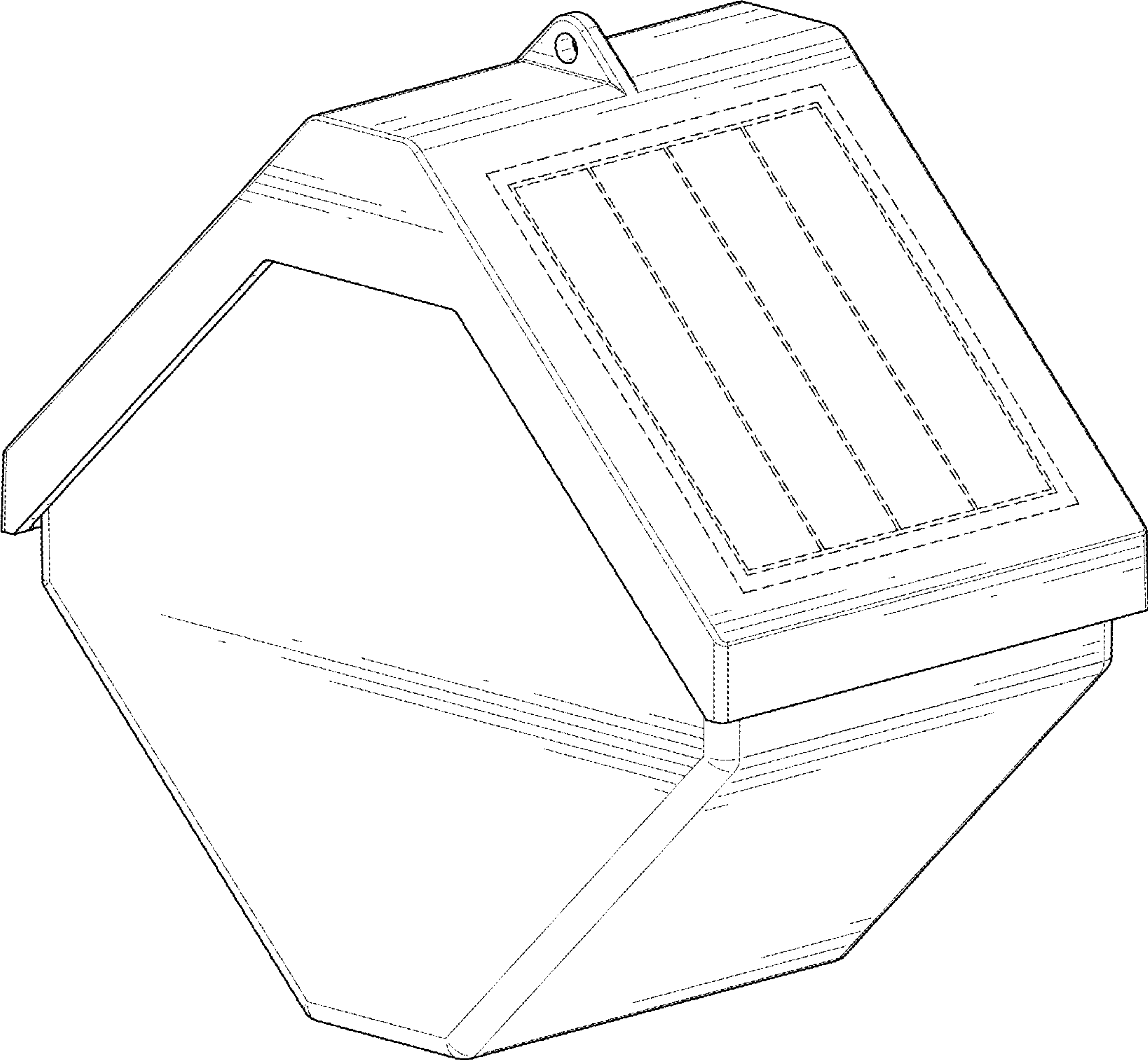


FIG.1

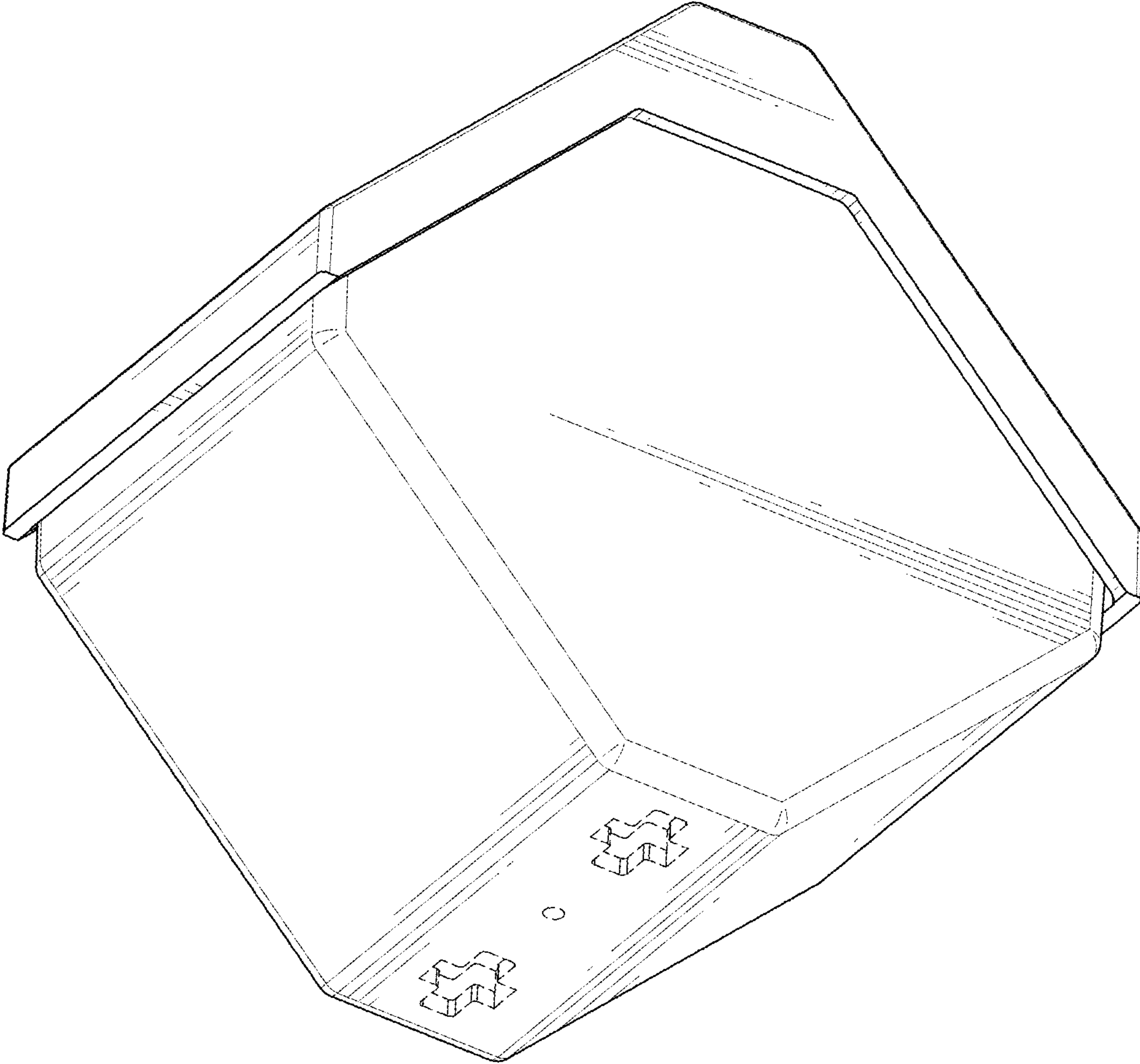


FIG.2

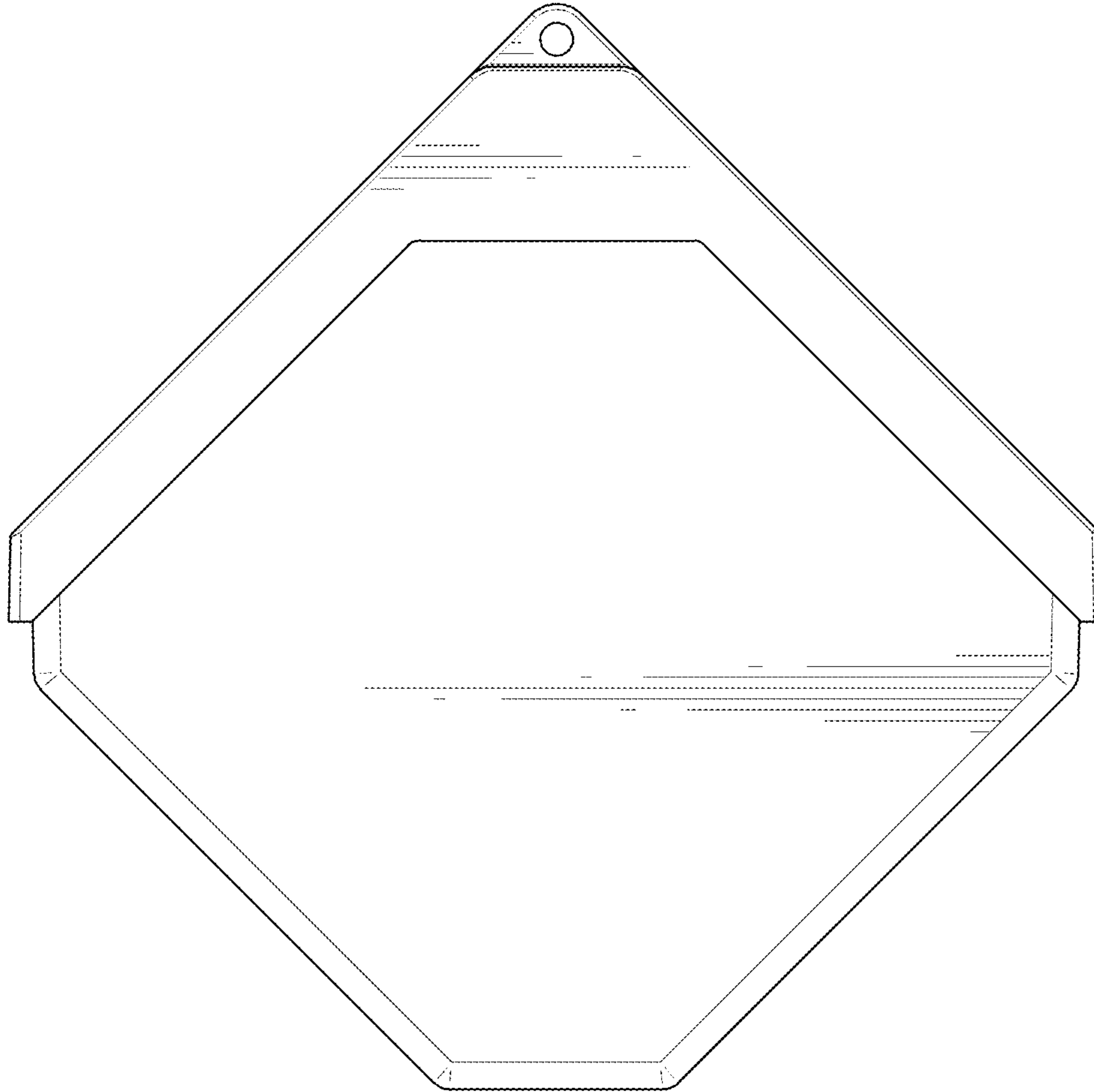


FIG.3



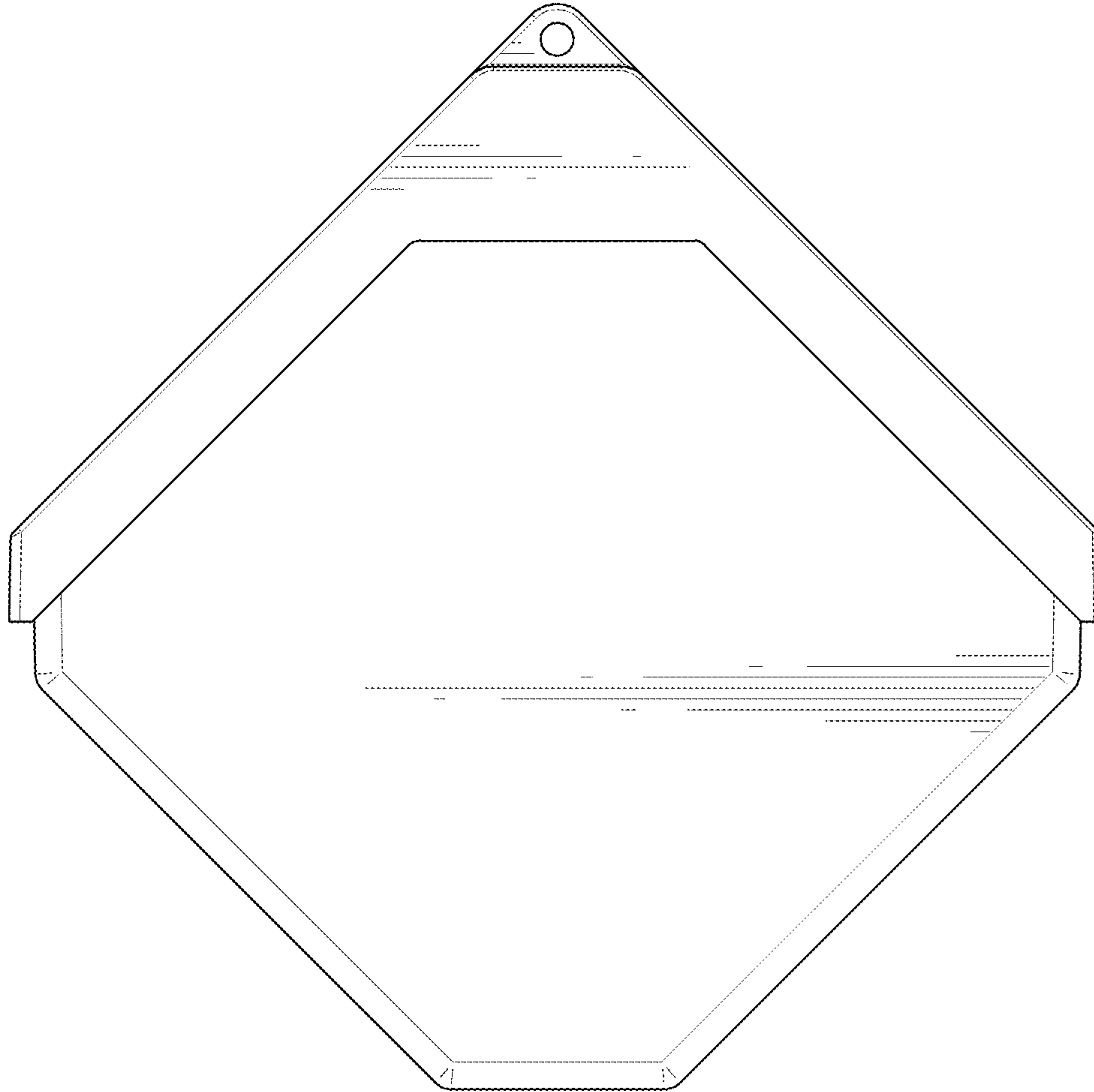


FIG.4

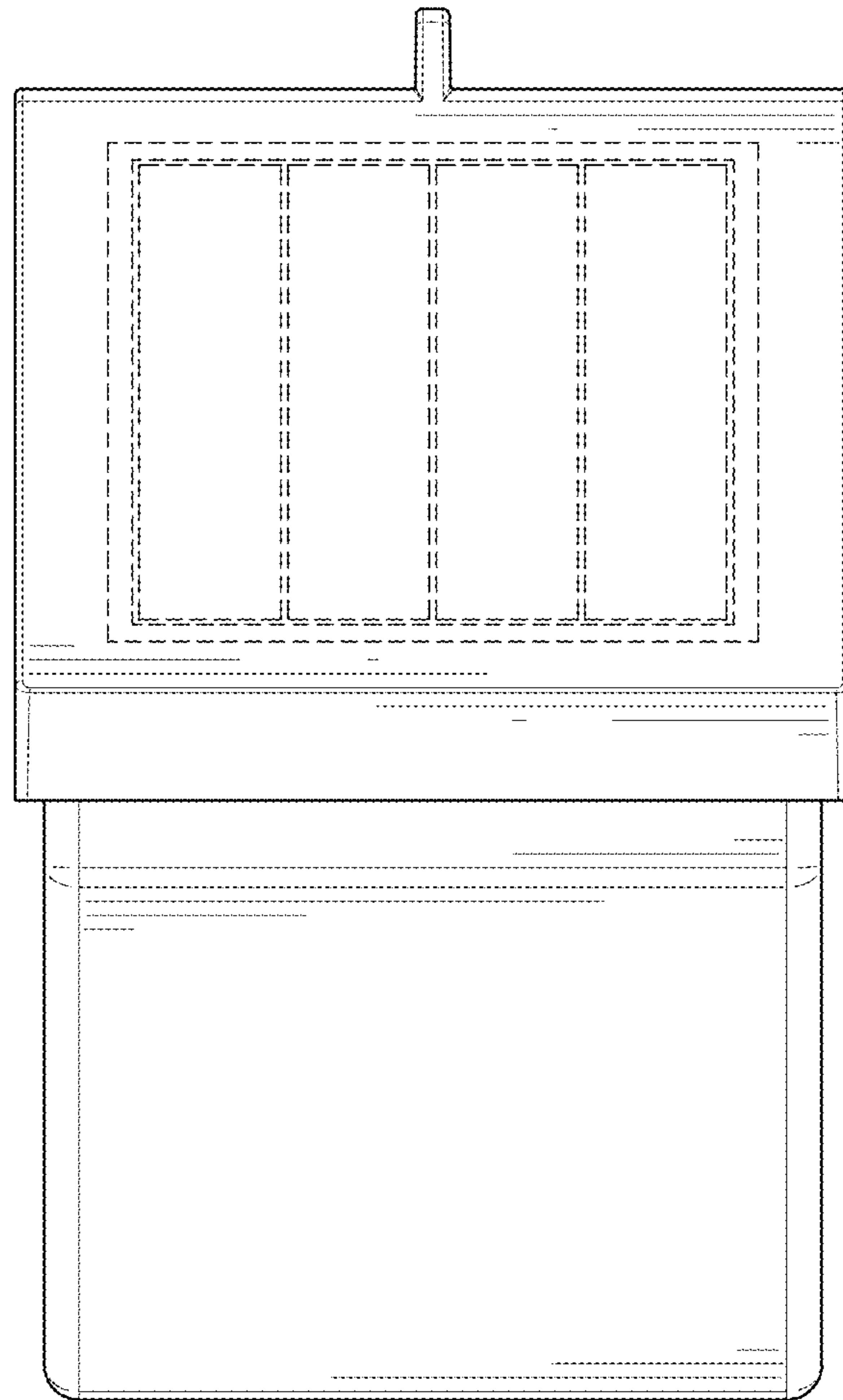


FIG.5

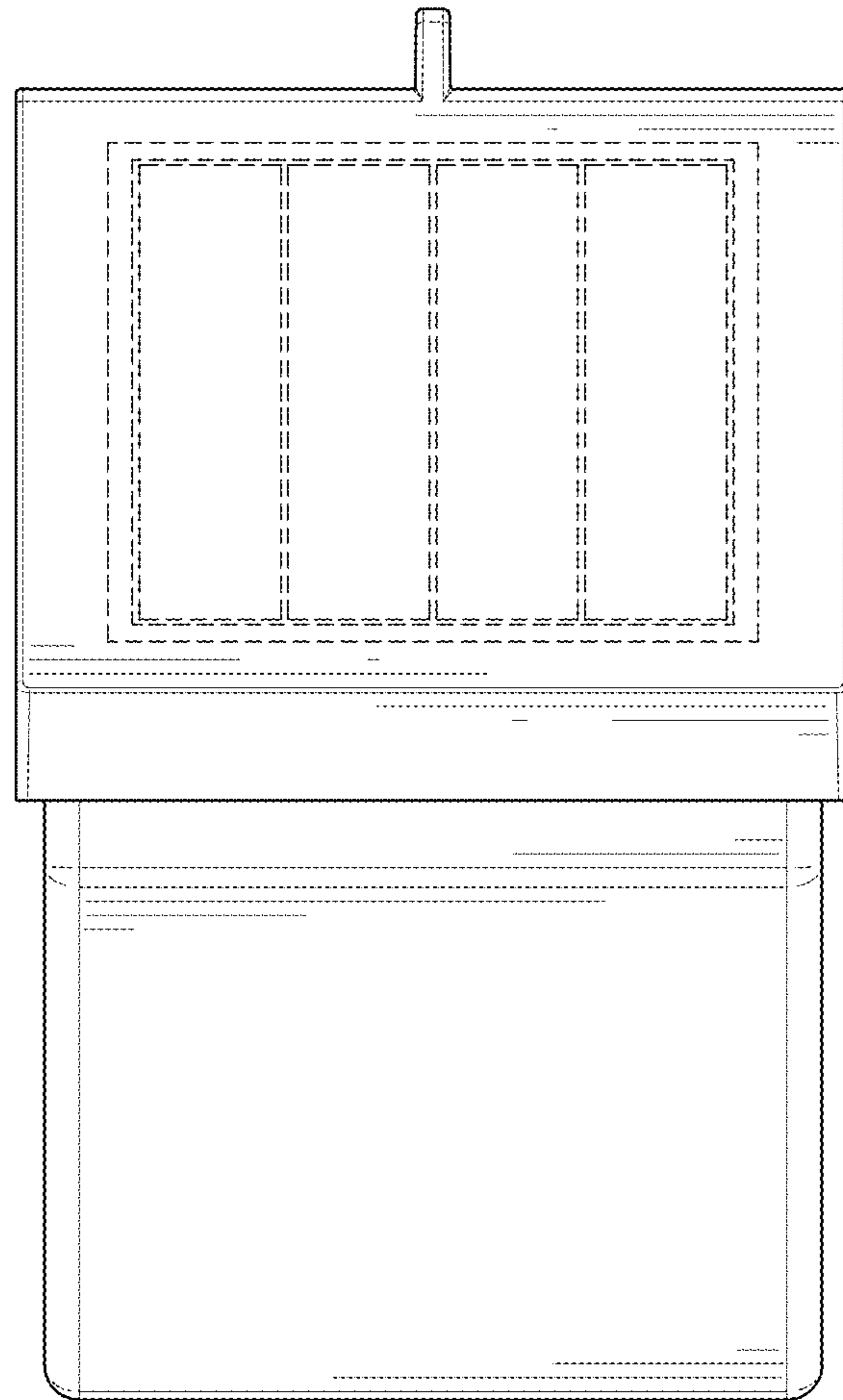


FIG.6



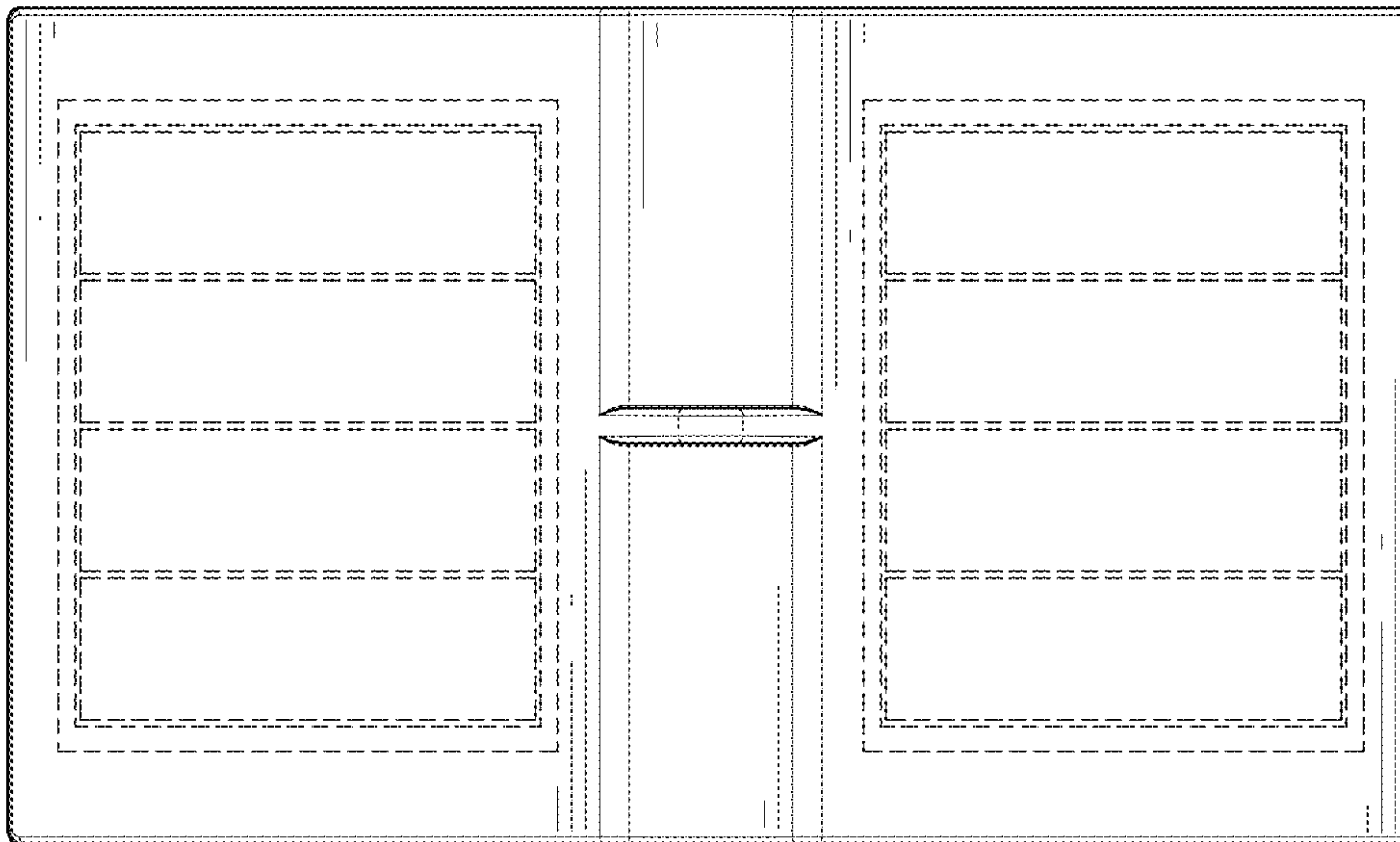


FIG. 7

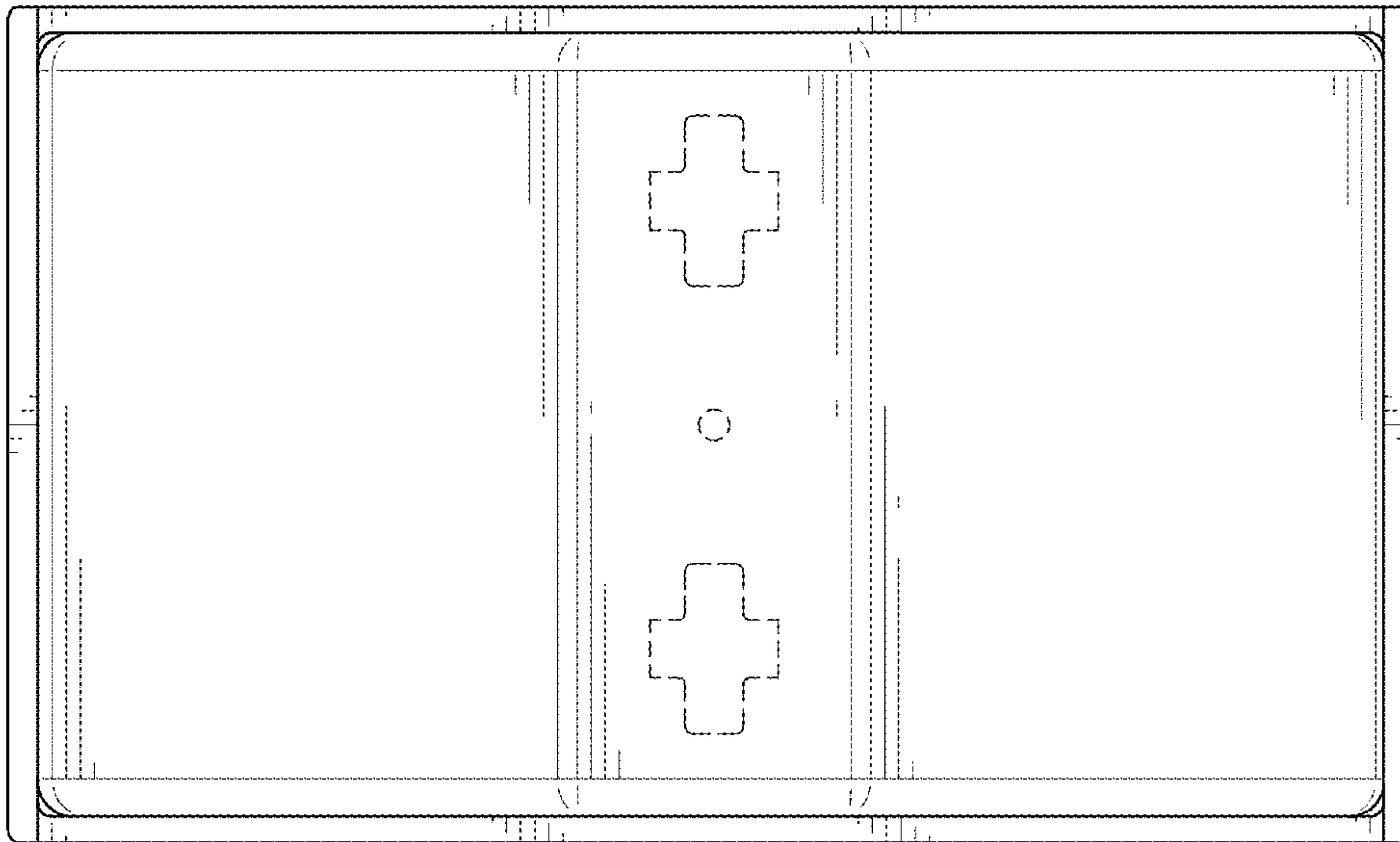


FIG.8