

US00D899660S

(12) **United States Design Patent** (10) **Patent No.:** **US D899,660 S**
Dal Ponte et al. (45) **Date of Patent:** **** Oct. 20, 2020**

(54) **LUMINAIRE**

- (71) Applicant: **Hubbell Incorporated**, Shelton, CT (US)
- (72) Inventors: **Dean B. Dal Ponte**, Glendale, CA (US); **Michael S. Neuer**, Covina, CA (US); **Syed A. Raza**, Rancho Palos Verdes, CA (US); **Gerald E. Taaffe, III**, Buena Park, CA (US)
- (73) Assignee: **Hubbell Incorporated**, Shelton, CT (US)

(**) Term: **15 Years**

(21) Appl. No.: **29/667,443**

(22) Filed: **Oct. 22, 2018**

Related U.S. Application Data

(62) Division of application No. 29/576,997, filed on Sep. 8, 2016, now Pat. No. Des. 835,334, which is a division of application No. 29/524,492, filed on Apr. 21, 2015, now Pat. No. Des. 769,500.

(51) **LOC (12) Cl.** **26-05**

(52) **U.S. Cl.**
USPC **D26/71**

(58) **Field of Classification Search**
USPC D26/63, 67-72, 87, 92, 118
CPC .. F21S 8/085; F21S 8/086; F21S 8/068; F21S 9/03; F21S 9/037; F21W 2131/103; F21W 2131/107; F21W 2131/109
See application file for complete search history.

(56) **References Cited**

U.S. PATENT DOCUMENTS

- D203,065 S 11/1965 Izzi et al.
- D323,897 S 2/1992 Compton
- D352,126 S 11/1994 Ruud

(Continued)

OTHER PUBLICATIONS

ArcheType X Advantage Brochure dated Aug. 24, 2016, by Hubbell Lighting and Kim Lighting. (Year: 2016).*

Primary Examiner — Clare E Heflin

(74) *Attorney, Agent, or Firm* — Michael Best & Friedrich, LLP

(57) **CLAIM**

We claim the ornamental design for a luminaire, as shown and described.

DESCRIPTION

FIG. 1 is a perspective view of a luminaire showing our new design.

FIG. 2 is a front end view of the luminaire shown in FIG. 1.

FIG. 3 is a right side view of the luminaire shown in FIG. 1.

FIG. 4 is a left side view of the luminaire shown in FIG. 1.

FIG. 5 is a top view of the luminaire shown in FIG. 1.

FIG. 6 is a bottom view of the luminaire shown in FIG. 1.

FIG. 7 is a perspective view of a luminaire showing our new design.

FIG. 8 is a front end view of the luminaire shown in FIG. 7.

FIG. 9 is a right side view of the luminaire shown in FIG. 7.

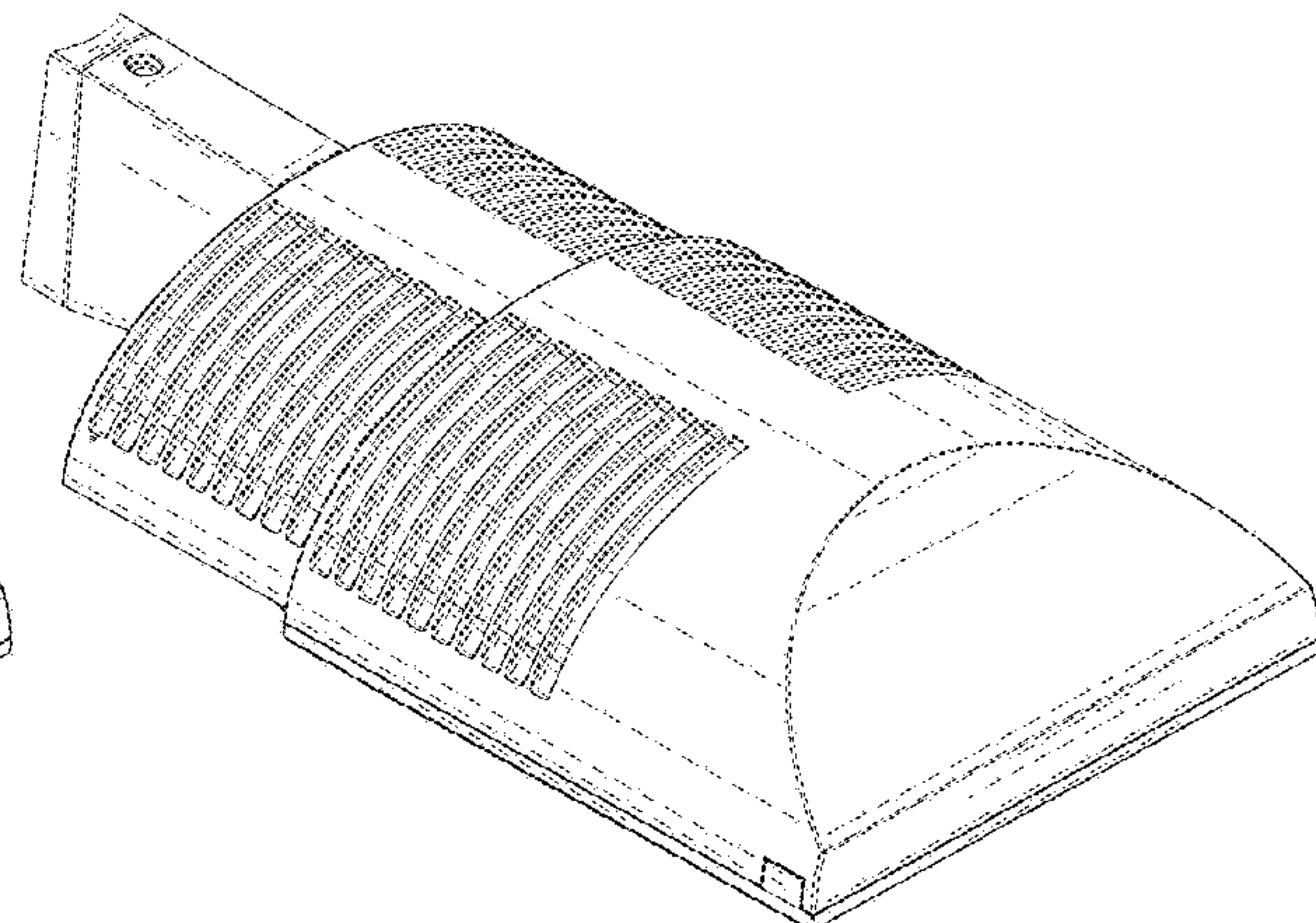
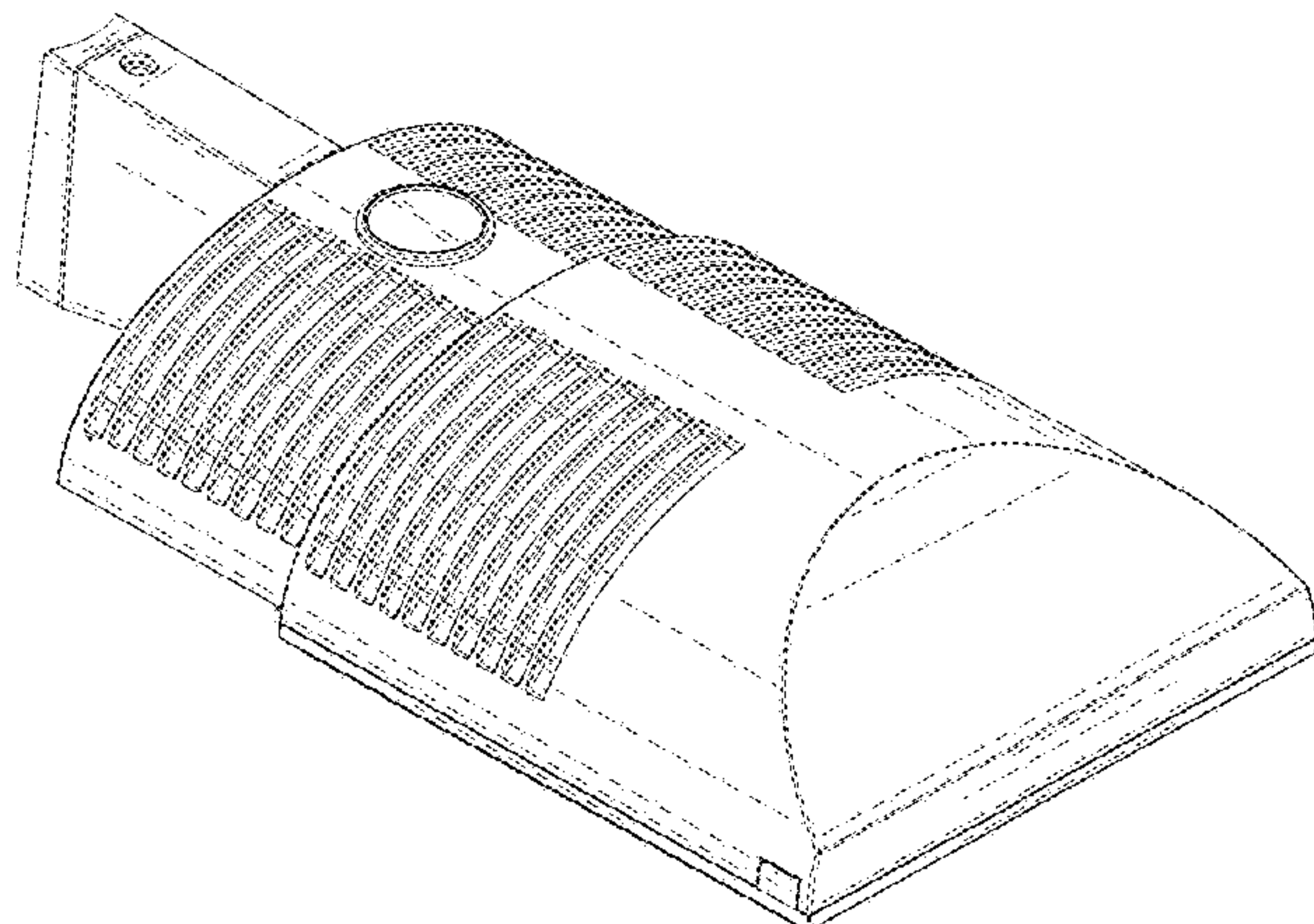
FIG. 10 is a left side view of the luminaire shown in FIG. 7.

FIG. 11 is a top view of the luminaire shown in FIG. 7; and,

FIG. 12 is a bottom view of the luminaire shown in FIG. 7.

The elements shown in broken lines are included for the purpose of illustrating portions of the luminaire that form no part of the claimed design.

1 Claim, 12 Drawing Sheets



(56)

References Cited

U.S. PATENT DOCUMENTS

D609,382	S	2/2010	Laporte	
D615,233	S	5/2010	Josefowicz	
D627,093	S	11/2010	Shiau	
D630,790	S	1/2011	Josefowicz	
D632,000	S	2/2011	Little, Jr.	
D660,496	S	5/2012	Akdag	
D674,950	S	1/2013	Lueken	
D676,178	S	2/2013	Akinrele	
D691,759	S	10/2013	Boyer	
D695,438	S	12/2013	Liu	
D695,938	S	12/2013	Galvan	
8,651,693	B2	2/2014	Josefowicz	
D700,986	S	3/2014	Chiou	
D743,081	S	11/2015	Benbridge	
D747,527	S	1/2016	Guercio	
D749,256	S	2/2016	Compton	
D769,500	S *	10/2016	Dal Ponte	D26/71
D822,255	S *	7/2018	Clark	D26/71
D835,334	S *	12/2018	Dal Ponte	D26/118
D850,691	S *	6/2019	Yang	D26/71
D863,643	S *	10/2019	Guercio	D26/71
2014/0246971	A1	9/2014	Carpenter	
2016/0169478	A1	6/2016	Johnson	

* cited by examiner

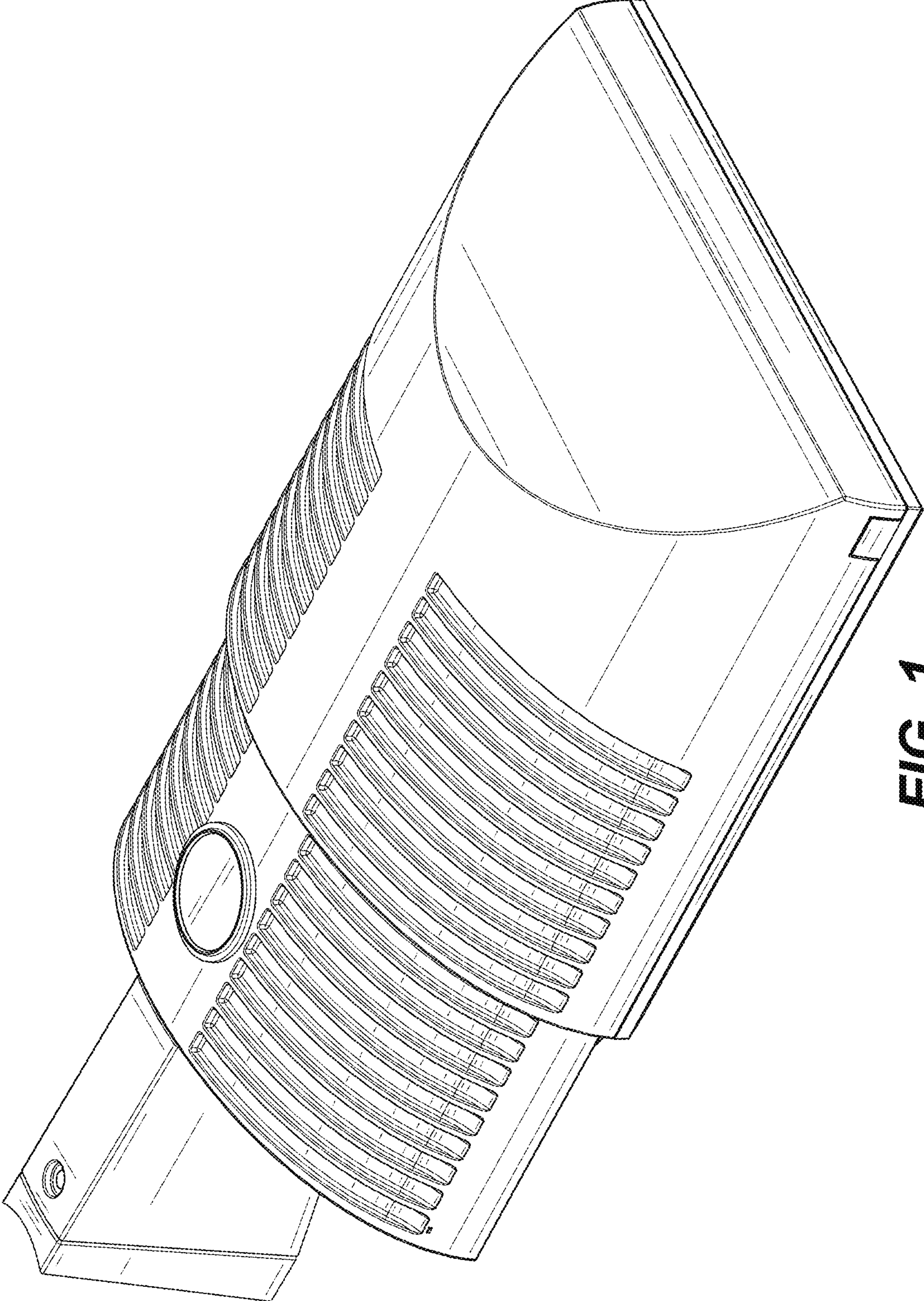


FIG. 1

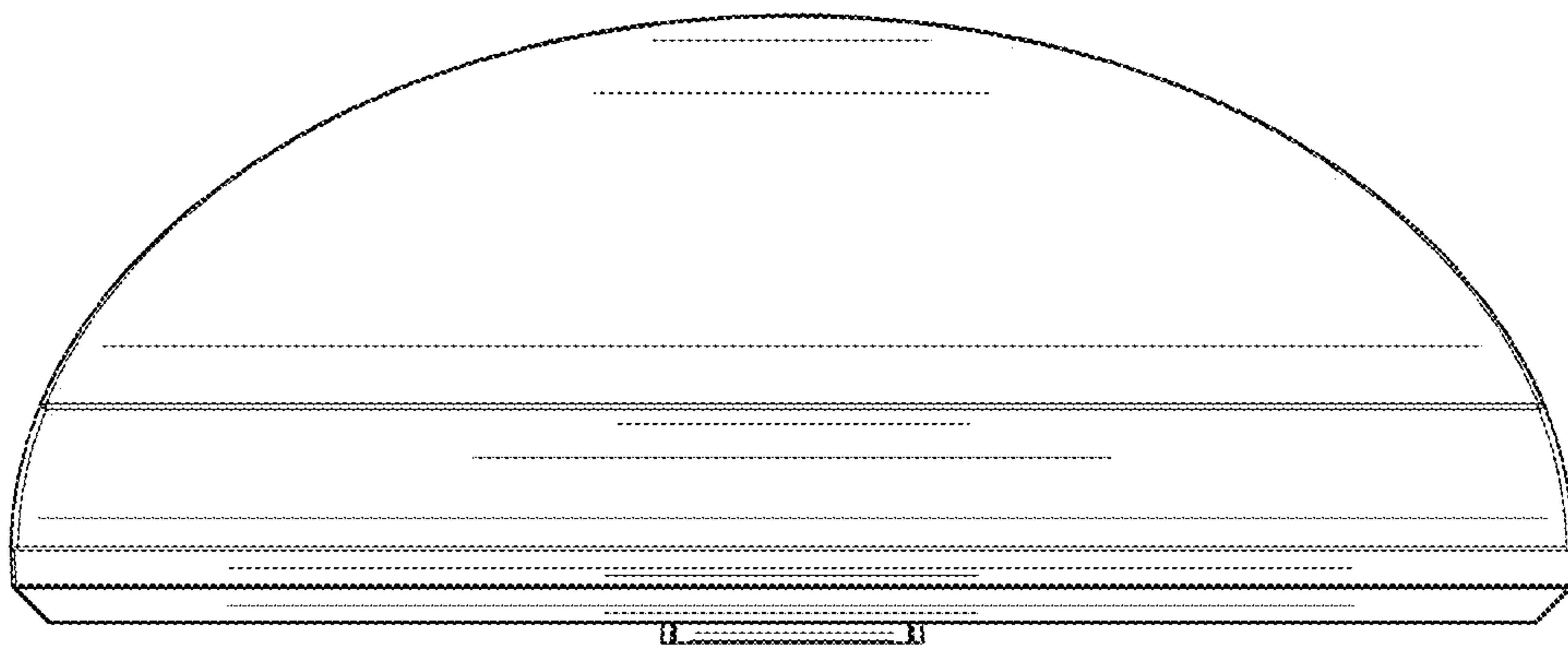


FIG. 2

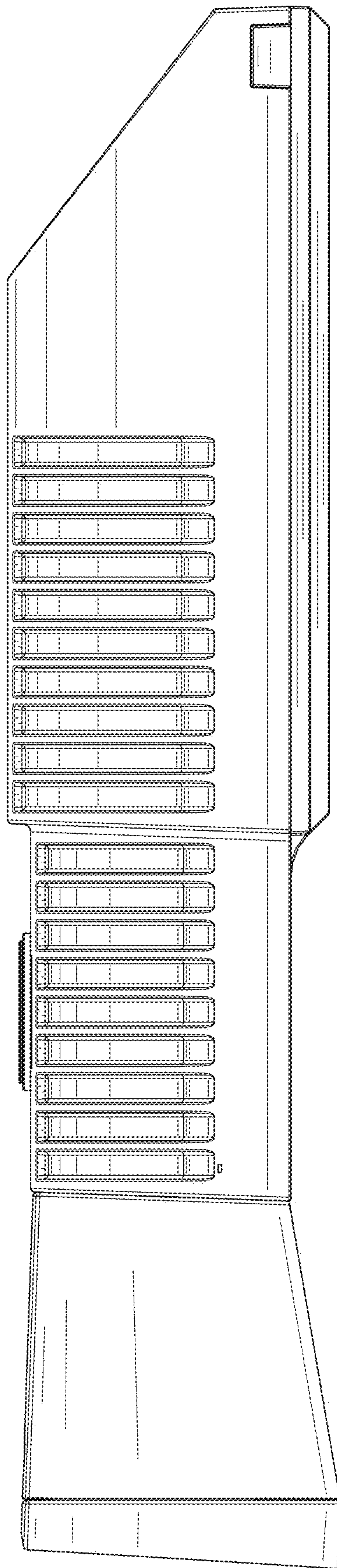


FIG. 3

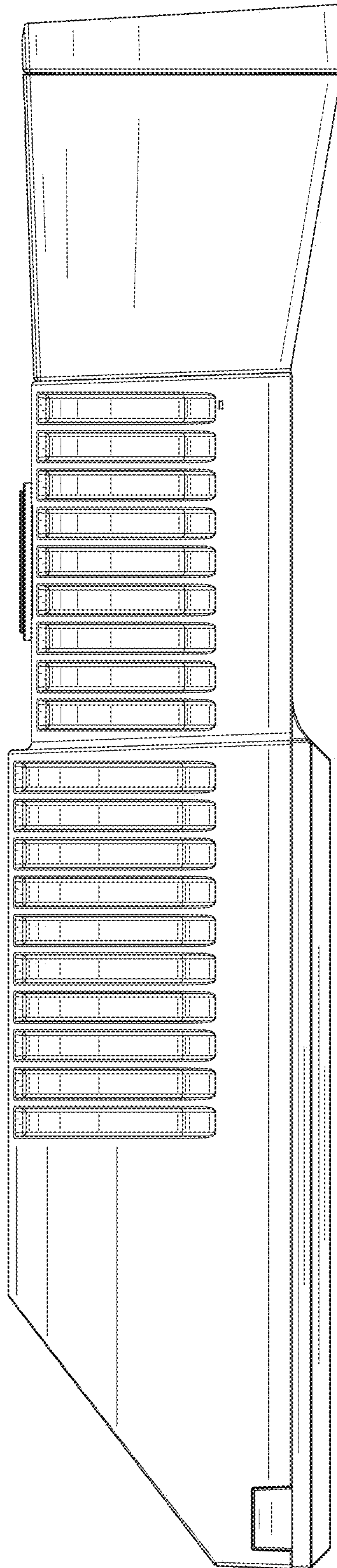


FIG. 4

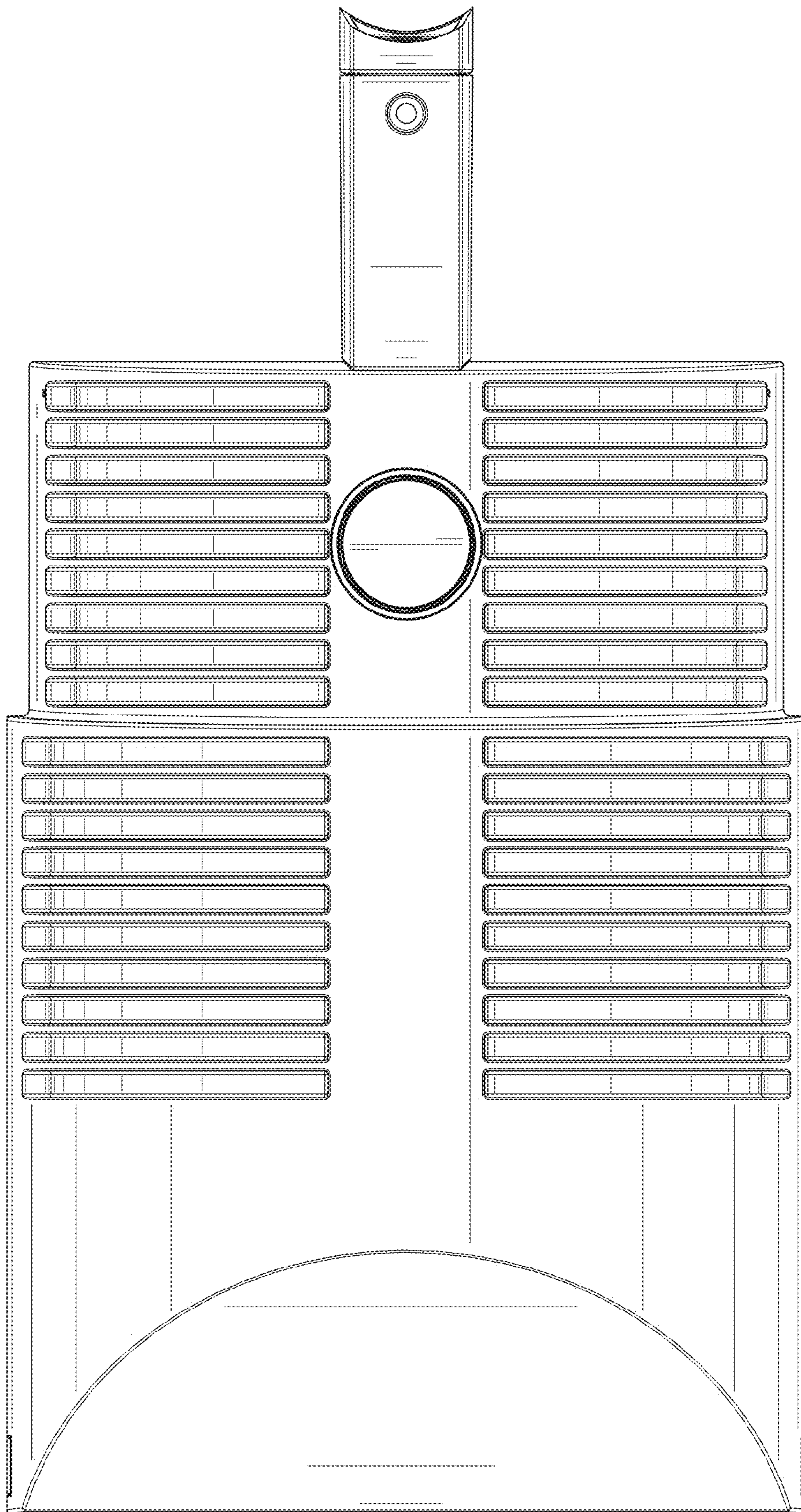


FIG. 5

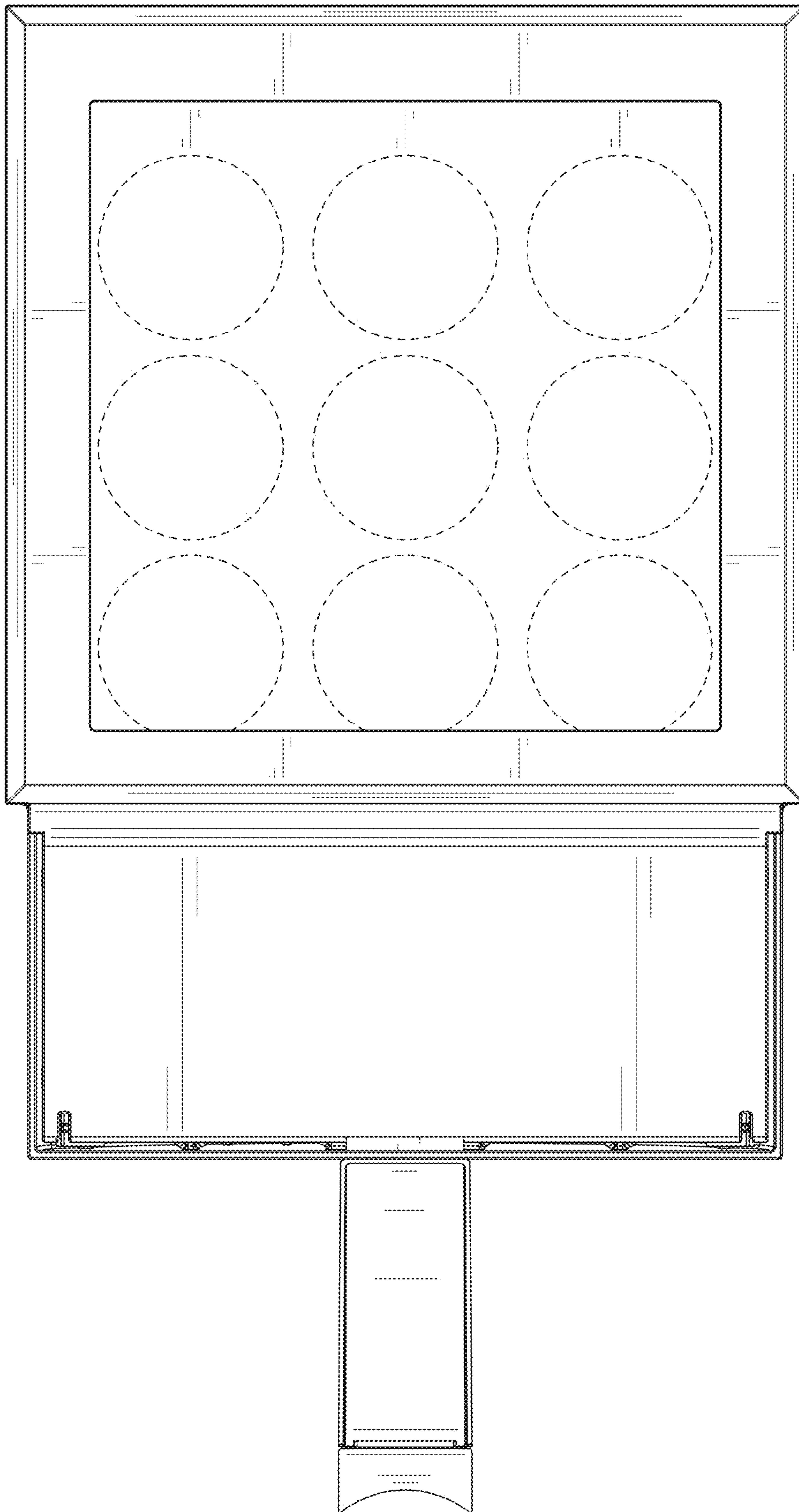


FIG. 6

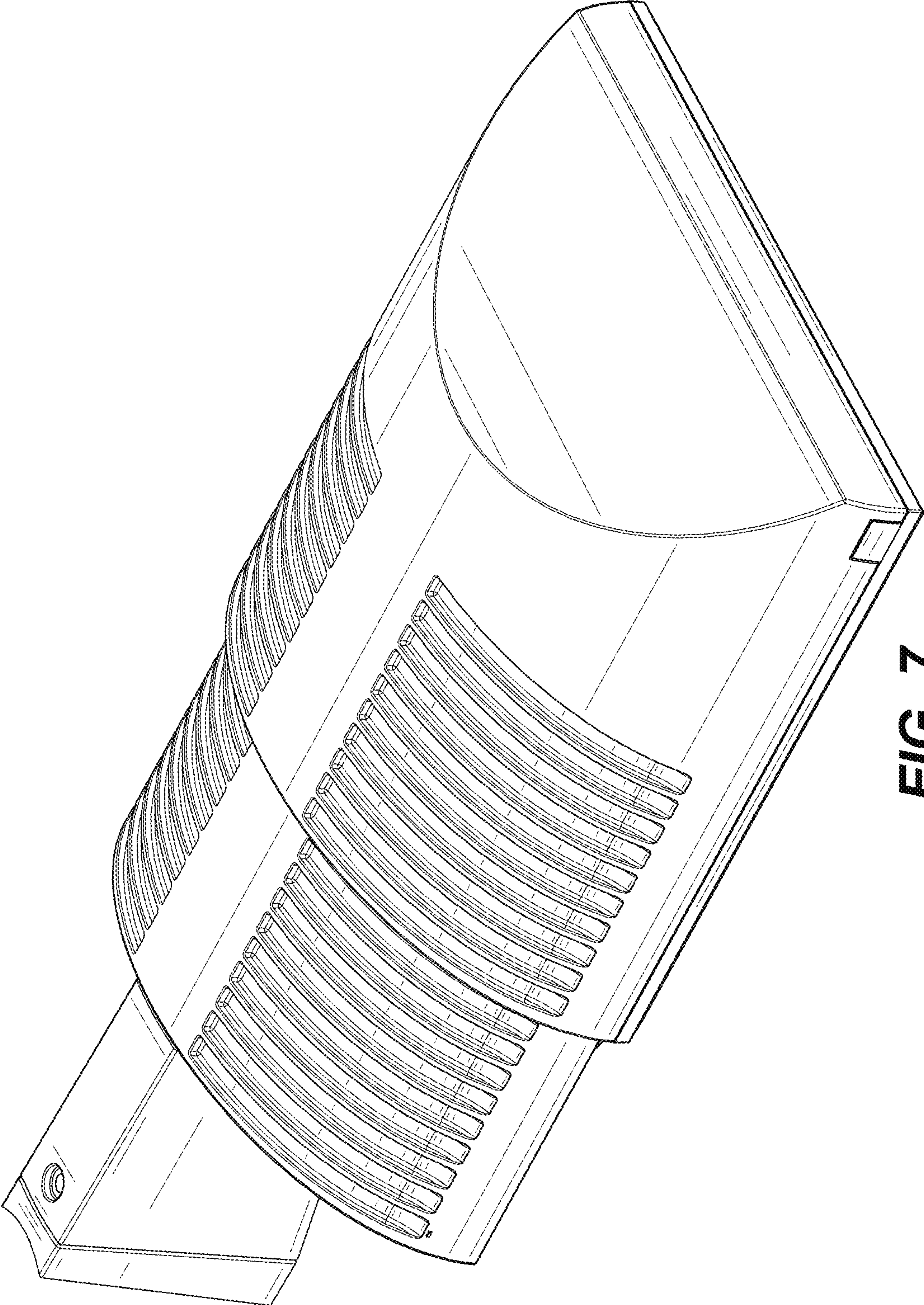


FIG. 7

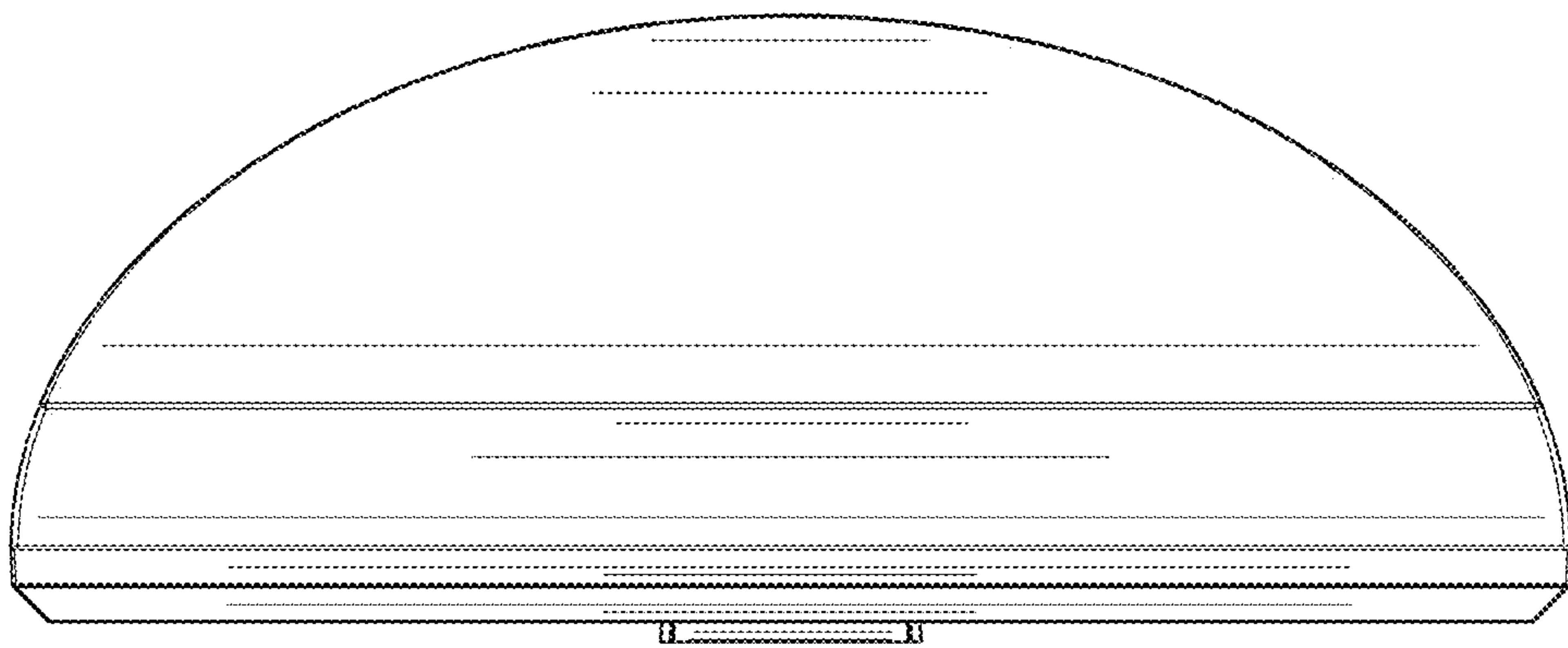


FIG. 8

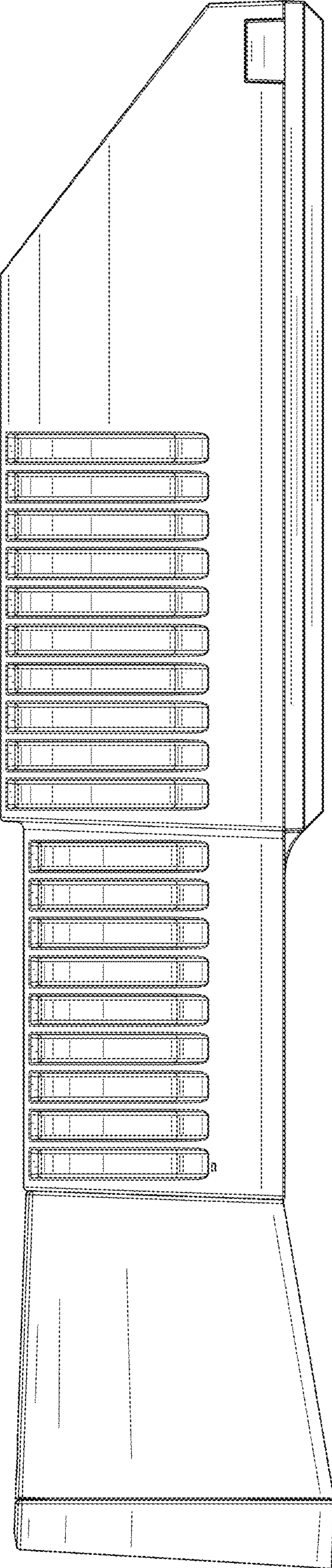


FIG. 9

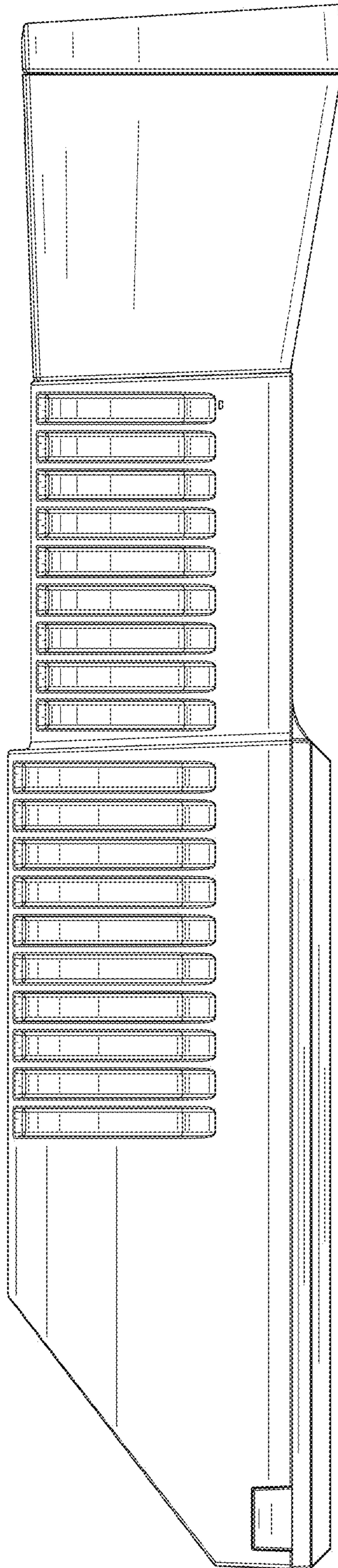


FIG. 10

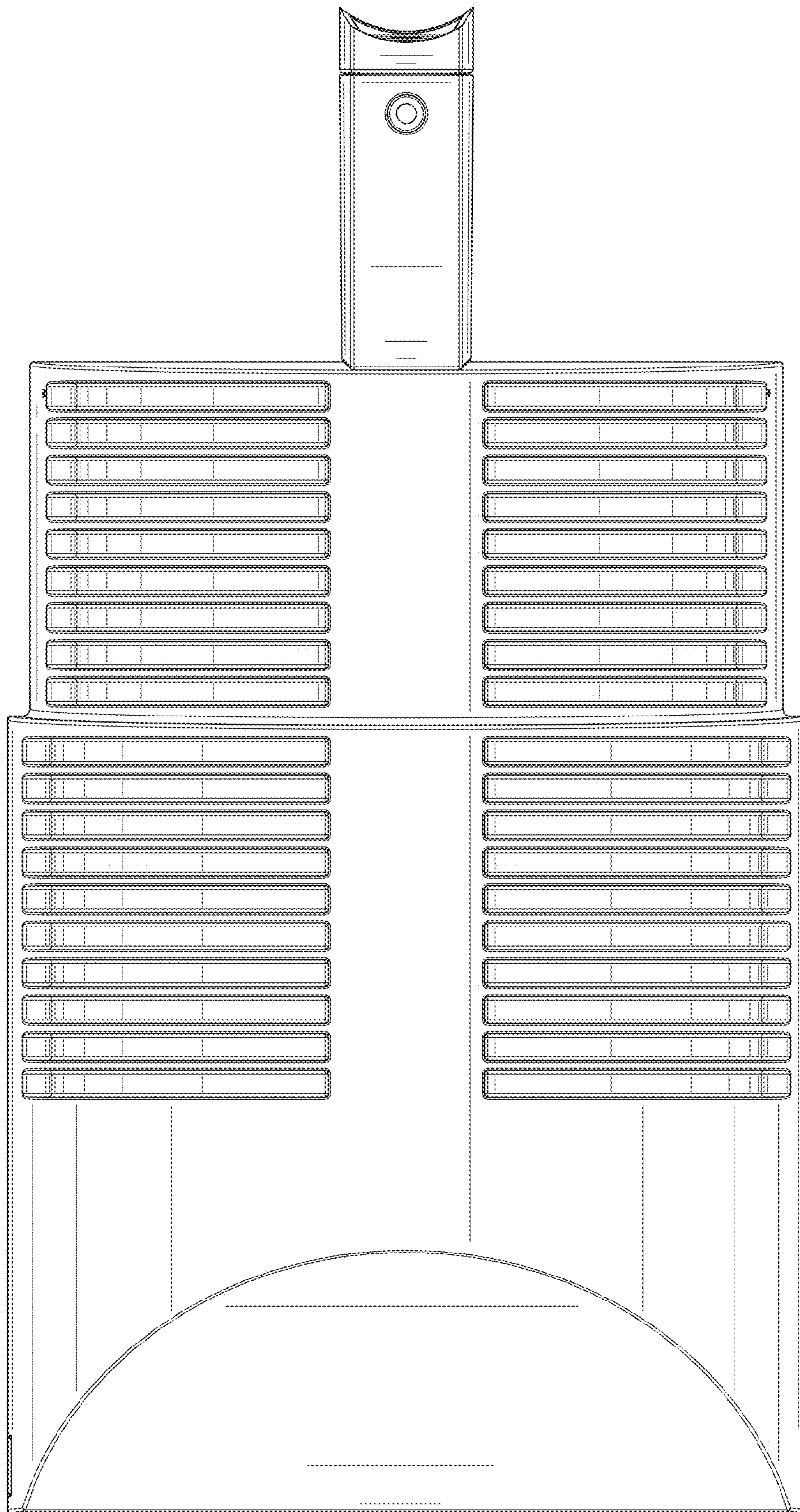


FIG. 11

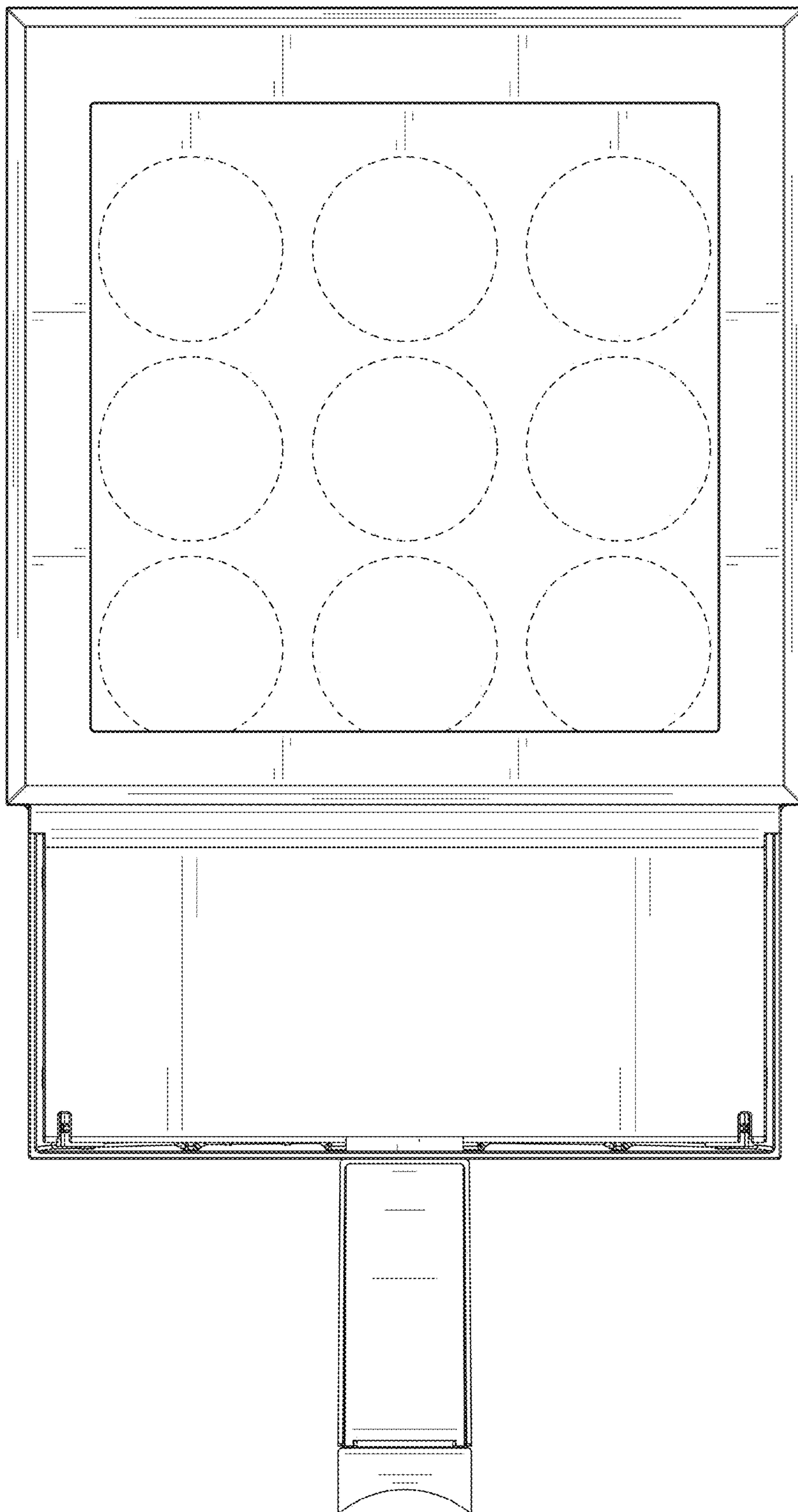


FIG. 12