



US00D899658S

(12) **United States Design Patent** (10) **Patent No.:** **US D899,658 S**
Wang (45) **Date of Patent:** **** Oct. 20, 2020**

(54) **SOLAR LIGHT**

(71) Applicant: **QuanZhou GuanMing Technology Co., Ltd., QuanZhou (CN)**

(72) Inventor: **XiaoQiong Wang, QuanZhou (CN)**

(**) Term: **15 Years**

(21) Appl. No.: **29/696,701**

(22) Filed: **Jun. 29, 2019**

(51) **LOC (12) Cl.** **26-05**

(52) **U.S. Cl.**
USPC **D26/67**

(58) **Field of Classification Search**
USPC D26/67-70, 85
CPC .. F21S 8/022; F21S 8/032; F21S 8/036; F21S 8/081; F21S 8/083; F21S 8/088; F21S 9/037; F21S 10/046; F21V 21/0824; F21W 2111/02; F21W 2111/023
See application file for complete search history.

(56) **References Cited**

U.S. PATENT DOCUMENTS

D32,529 S *	4/1900	Stenz	D26/134
3,721,516 A *	3/1973	Reese	F21V 21/0824
				431/202
D541,968 S *	5/2007	Tortel	D26/2
D574,535 S *	8/2008	Sanoner	D26/67
D615,684 S *	5/2010	Chen	D26/68
D816,254 S *	4/2018	Zhang	D26/68
D824,562 S *	7/2018	Chen	D26/68
D829,357 S *	9/2018	Chen	D26/68
D841,213 S *	2/2019	Zhuo	D26/68
D862,761 S *	10/2019	Li	D26/68

D875,290 S *	2/2020	Hwang	D26/67
D880,039 S *	3/2020	Mai	D26/67
2008/0074867 A1 *	3/2008	Chen	H05B 45/00
				362/183

OTHER PUBLICATIONS

Solar Flame Torches, sold by HaoKeYuan at amazon.com as early as Aug. 13, 2019. (Year: 2019).*
Solar Lights with 3-in-1 Table Wineglass Flickering Flame by Zeonetak. available at amazon.co.uk Sep. 18, 2017 (Year: 2017).*
Bakiya Solar Blue Flame 3 Mode Waterproof Torch Totem available at amazon.com Jun. 2, 2020. (Year: 2020).*
Walensee Solar Torch Lights with Flickering Flame, available at amazon.com as early as Nov. 8, 2019. (Year: 2019).*

* cited by examiner

Primary Examiner — Clare E Heflin

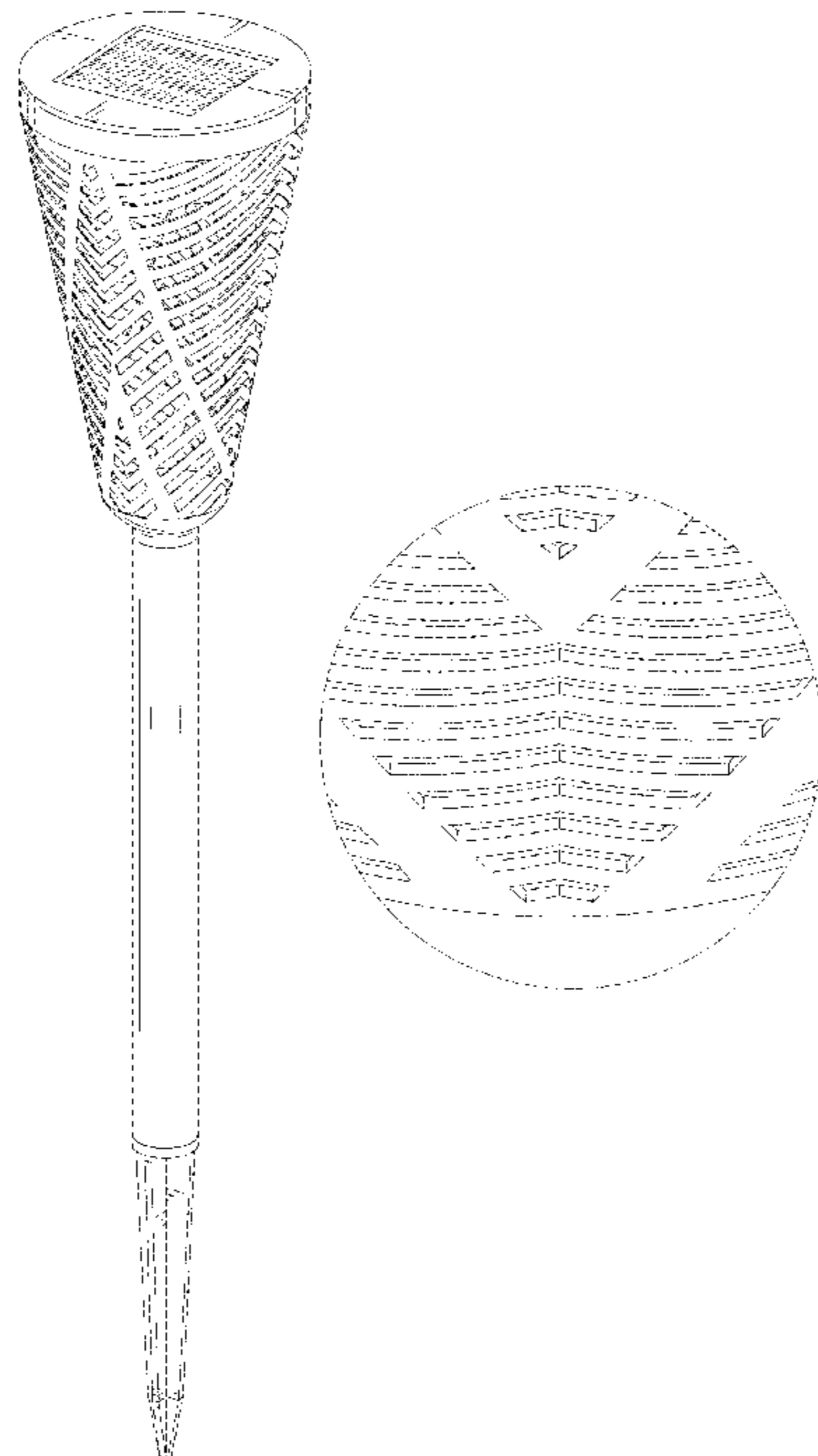
(57) **CLAIM**

The ornamental design for a solar light, as shown and described.

DESCRIPTION

FIG. 1 is a first perspective view of a solar light showing the claimed new design;
FIG. 2 is a front elevational view thereof;
FIG. 3 is a rear elevational view thereof;
FIG. 4 is a left side elevational view thereof;
FIG. 5 is a right side elevational view thereof;
FIG. 6 is a top plan view thereof;
FIG. 7 is a bottom plan view thereof; and,
FIG. 8 is an enlarged view of the region designated FIG. 8 as shown in FIG. 7.
The broken lines shown on the drawings depict portions of the solar light that form no part of the claimed design.

1 Claim, 8 Drawing Sheets



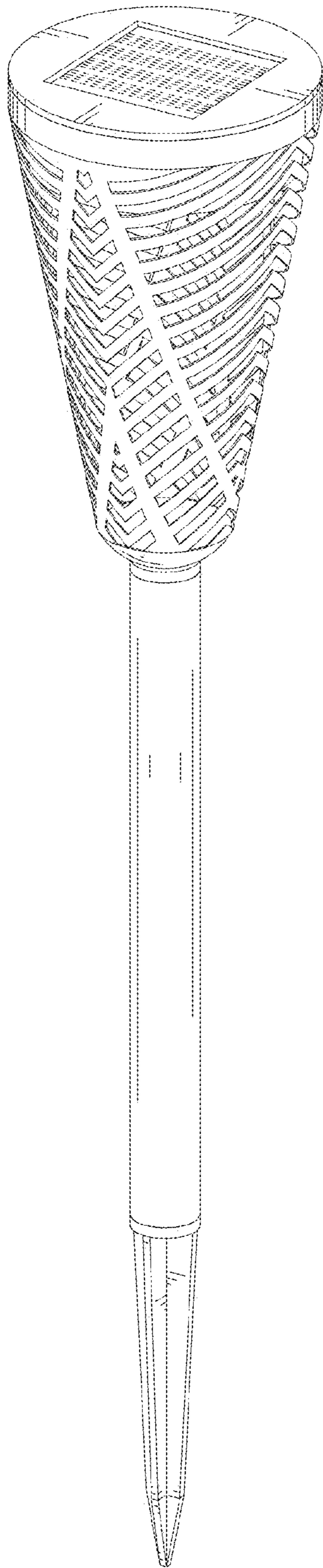


FIG.1

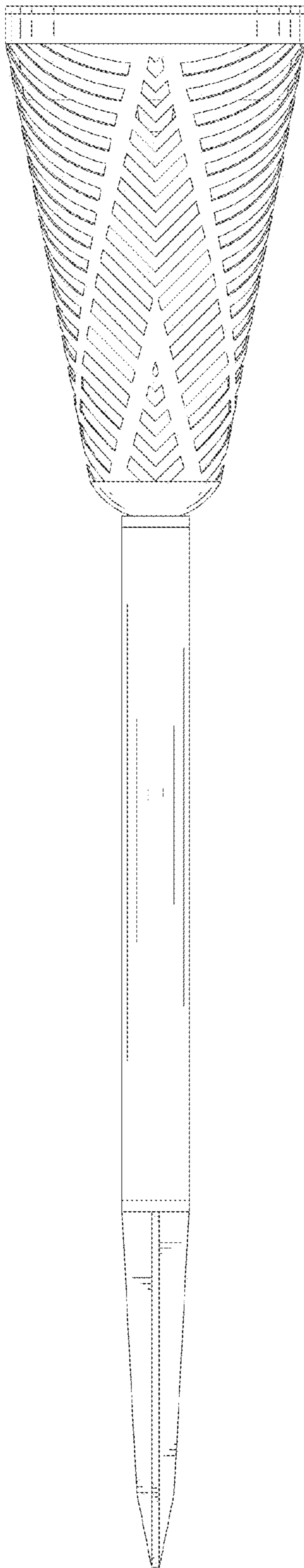


FIG. 2

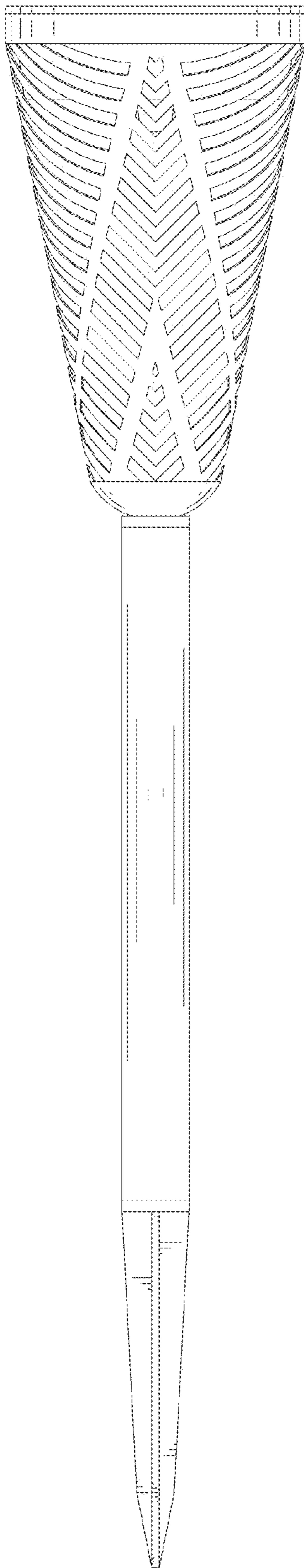


FIG. 3

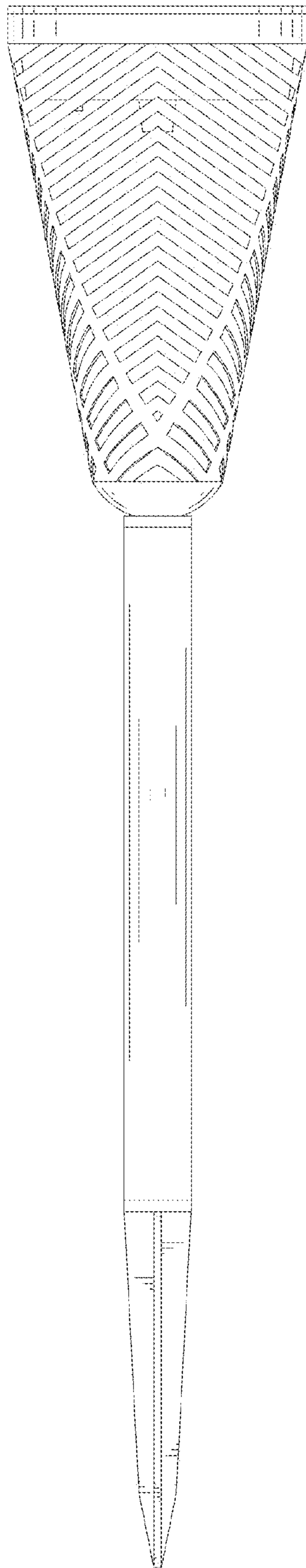


FIG. 4

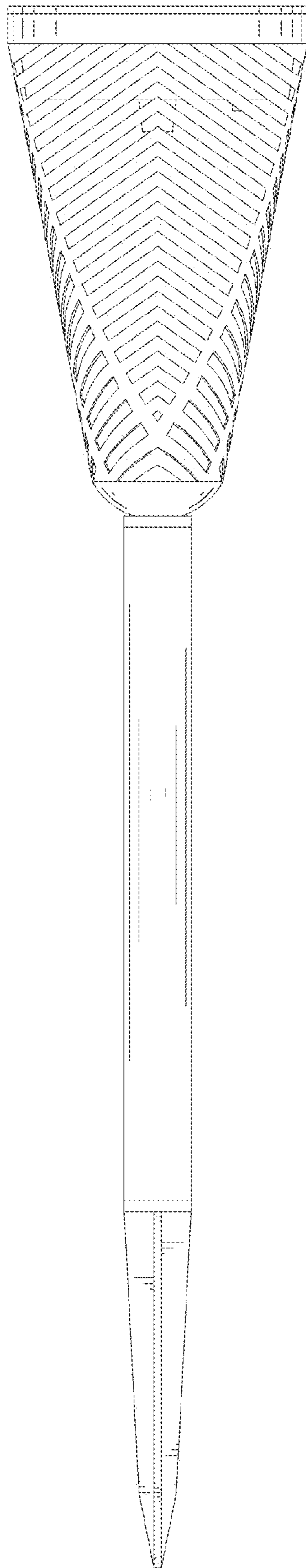


FIG. 5

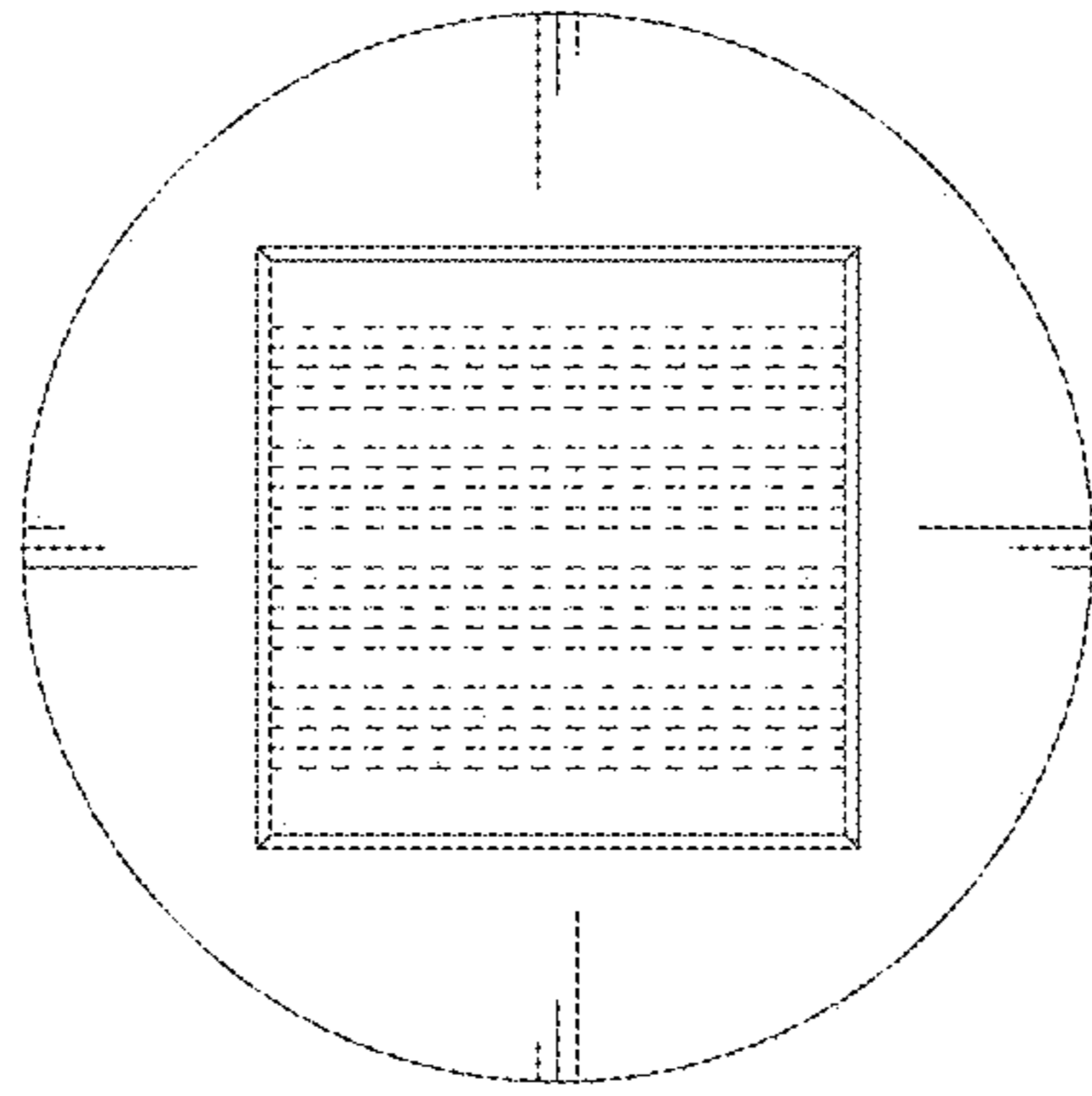


FIG.6

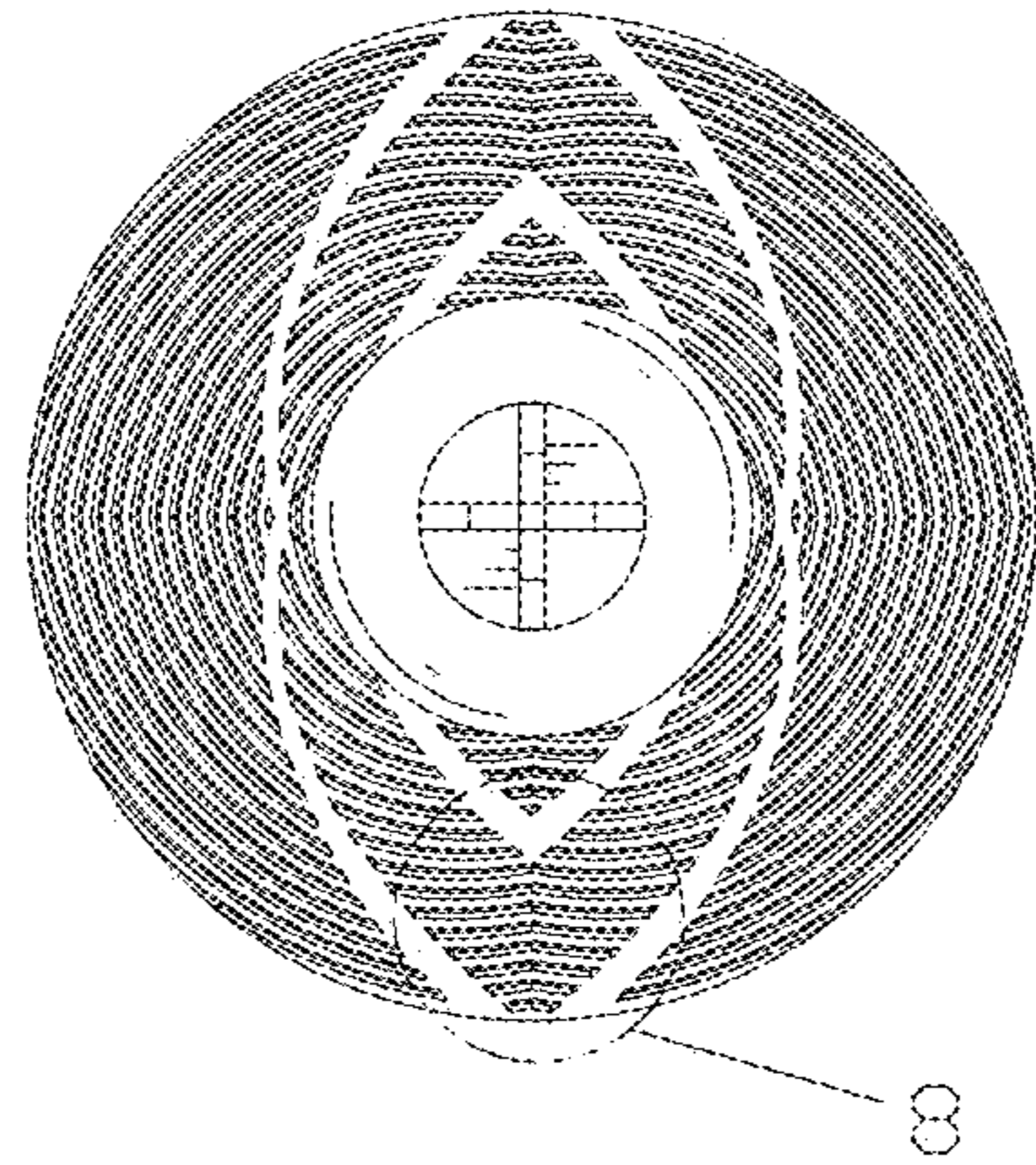


FIG.7

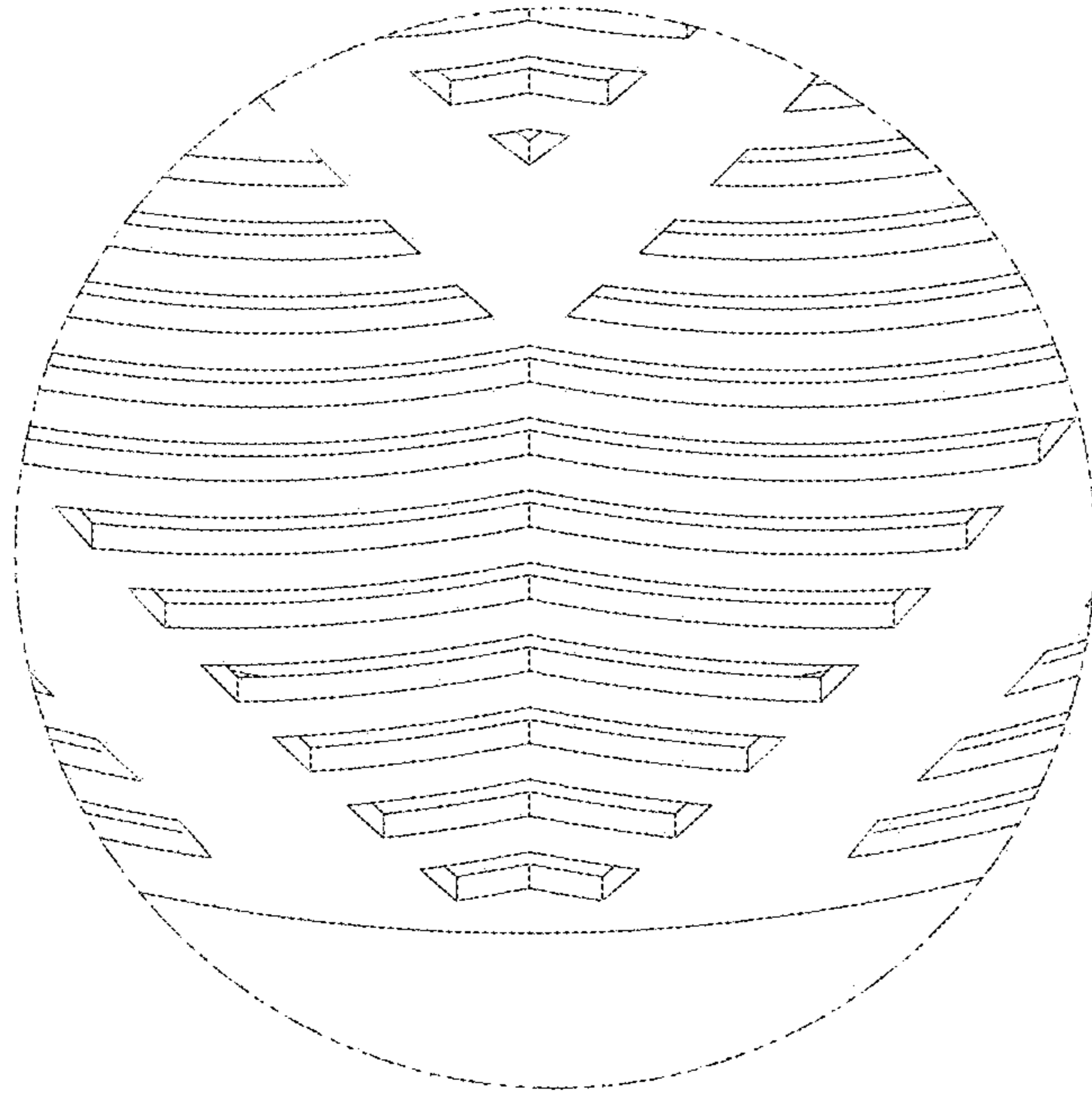


FIG.8