



US00D899657S

(12) **United States Design Patent**
You

(10) **Patent No.:** **US D899,657 S**

(45) **Date of Patent:** **** Oct. 20, 2020**

(54) **WORK LIGHT**

(71) Applicant: **E. MISHAN & SONS, INC.**, New York, NY (US)

(72) Inventor: **Changxian You**, Ningbo (CN)

(73) Assignee: **E. MISHAN & SONS, INC.**, New York, NY (US)

(**) Term: **15 Years**

(21) Appl. No.: **29/675,838**

(22) Filed: **Jan. 4, 2019**

(51) **LOC (12) Cl.** **26-05**

(52) **U.S. Cl.**
USPC **D26/63; D26/44**

(58) **Field of Classification Search**
USPC D26/24, 37, 40-41, 46, 50, 61, 63, 65,
D26/85, 92

(Continued)

(56) **References Cited**

U.S. PATENT DOCUMENTS

D558,369 S * 12/2007 O'Hern D26/42
7,578,598 B2 8/2009 Robinson et al.

(Continued)

OTHER PUBLICATIONS

www.wish.com: Folding LED Work Light USB Rechargeable Portable Flood Light Stand Working Lights with 360° Rotation. Undated online product page. Retrieved on Aug. 17, 2020 from <https://www.wish.com/product/5dca9318eefc4307f4f09dd9?hide_login_modal=true&from_ad=goog_shopping . . . > (Year: 2020).*

(Continued)

Primary Examiner — Sheryl Lane

Assistant Examiner — Stacey L Hopkins

(74) *Attorney, Agent, or Firm* — Notaro, Michalos & Zaccaria P.C.

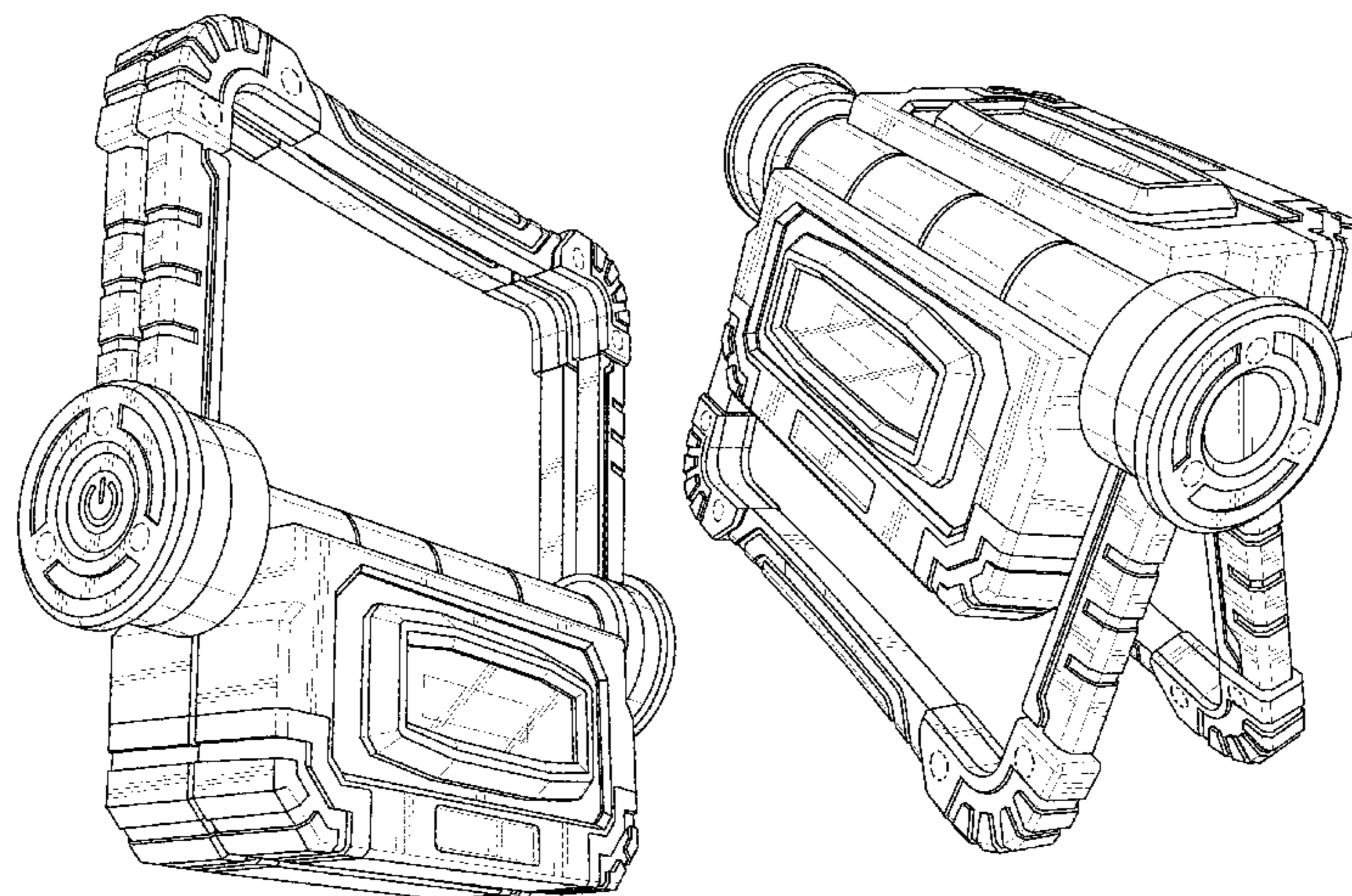
(57) **CLAIM**

The ornamental design for a work light, as shown and described.

DESCRIPTION

FIG. 1 is a front, right, bottom perspective view of a work light showing my design in a first position; FIG. 2 is a front elevational view thereof; FIG. 3 is a rear elevational view thereof; FIG. 4 is a right side elevational view thereof; FIG. 5 is a left side elevational view thereof; FIG. 6 is a top plan view thereof; FIG. 7 is a bottom plan view thereof; FIG. 8 is a view similar to FIG. 1 of the work light in another position; FIG. 9 is a front elevational view thereof; FIG. 10 is a rear elevational view thereof; FIG. 11 is a right side elevational view thereof; FIG. 12 is a left side elevational view thereof; FIG. 13 is a top plan view thereof; FIG. 14 is a bottom plan view thereof; FIG. 15 is a front, top, right perspective view of the work light in a still further position; FIG. 16 is a front elevational view thereof; FIG. 17 is a rear elevational view thereof; FIG. 18 is a right side elevational view thereof; FIG. 19 is a left side elevational view thereof; FIG. 20 is a top plan view thereof; FIG. 21 is a bottom plan view thereof; FIG. 22 is a front, top, right perspective view in a still further position; FIG. 23 is a front elevational view thereof; FIG. 24 is a rear elevational view thereof; FIG. 25 is a right side elevational view thereof; FIG. 26 is a left side elevational view thereof; FIG. 27 is a top plan view thereof; and, FIG. 28 is a bottom plan view thereof. Throughout the drawings broken lines indicate environment and form no part of the design.

1 Claim, 28 Drawing Sheets



(58) **Field of Classification Search**

CPC .. F21L 4/00; F21V 21/14; F21V 21/30; F21V 21/00; F21V 15/01; F21V 14/02; F21V 14/00; F21S 8/00; F21S 8/003; F21S 8/043

See application file for complete search history.

(56) **References Cited**

U.S. PATENT DOCUMENTS

D611,632	S	*	3/2010	Diehl	D26/50
8,721,120	B2		5/2014	Christ et al.		
8,876,329	B2		11/2014	Fields et al.		
D742,058	S	*	10/2015	Chen	D26/109
D763,492	S		8/2016	Bryant et al.		
D779,094	S	*	2/2017	Xu	D26/63
D779,097	S	*	2/2017	Xu	D26/63
9,810,385	B1		11/2017	Bonds		
9,967,920	B2		5/2018	Itoh et al.		
10,001,252	B2		6/2018	Inskeep		
D827,170	S	*	8/2018	Zhang	D26/44
D841,853	S	*	2/2019	Wu	D26/63
D843,627	S	*	3/2019	Green	D26/65
D844,208	S	*	3/2019	You	D26/63
D854,212	S	*	7/2019	Yuan	D26/63
D854,718	S	*	7/2019	Yuan	D26/63
D855,233	S	*	7/2019	Qiu	D26/74

D855,234	S	*	7/2019	Qiu	D26/74
D863,641	S	*	10/2019	Miyawaki	D26/63
D866,027	S	*	11/2019	Cacciabeve	D26/37
D877,948	S	*	3/2020	Thompson	D26/37
D880,036	S	*	3/2020	Qiu	D26/63
D880,743	S	*	4/2020	Qiu	D26/63
D883,545	S	*	5/2020	Zhang	D26/44
D889,016	S	*	6/2020	Qiu	D26/63
2017/0108197	A1	*	4/2017	Cacciabeve	F21V 15/04
2018/0202639	A1	*	7/2018	Kao	F21L 14/023
2019/0093867	A1	*	3/2019	Qiu	F21L 4/04
2019/0285257	A1	*	9/2019	Gall	F21V 21/30
2019/0353332	A1	*	11/2019	You	F21V 23/0414

OTHER PUBLICATIONS

www.amazon.com: RUNACC LED Work Light USB Rechargeable Folding Portable Waterproof 2 COB 2000LM Flood Light dated Sep. 15, 2019. Retrieved on Aug. 17, 2020 from <<https://www.amazon.com/recargable-impermeable-inundaci%C3%B3n-senderisMóvil-Iluminaci%C3%B3n/dp/B07XM2SQPR/> . . . > (Year: 2019).*
<https://www.google.com/search?q=Ozark+Trail+Portable+LED+Work+>.
<https://www.everlightmfg.com/product/folding-led-worklight-elm-8194/>.

* cited by examiner

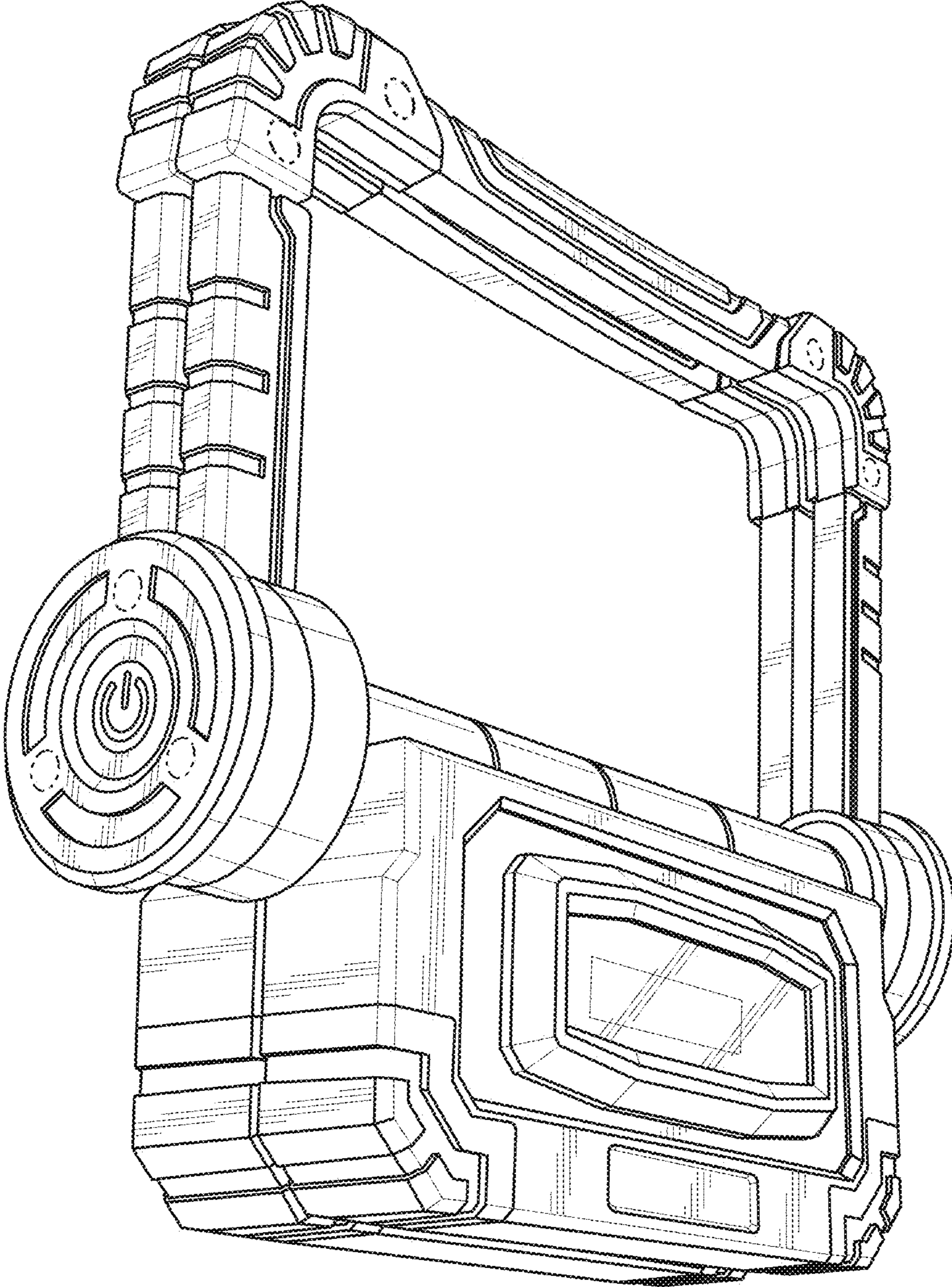


FIG. 1

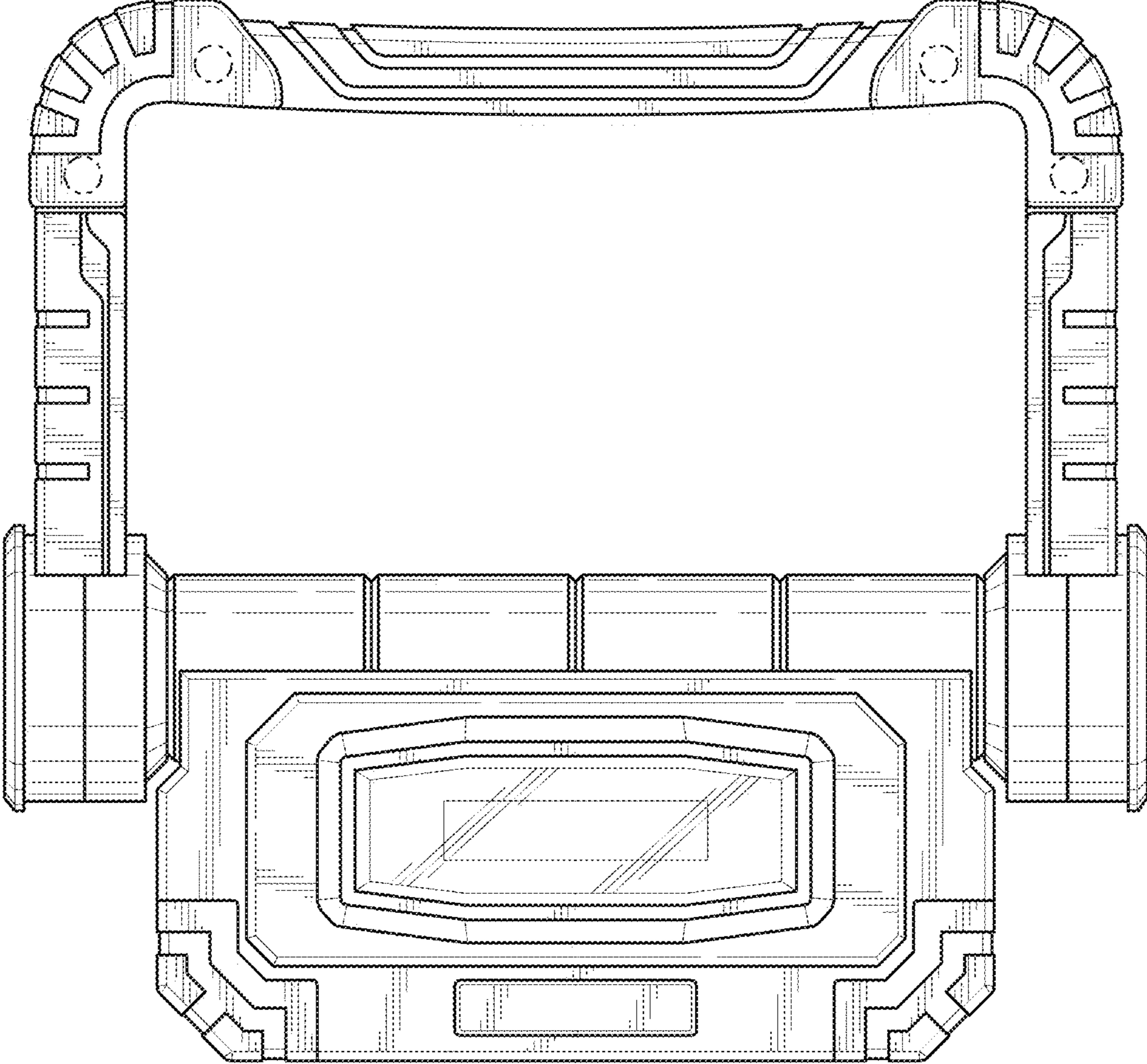


FIG. 2

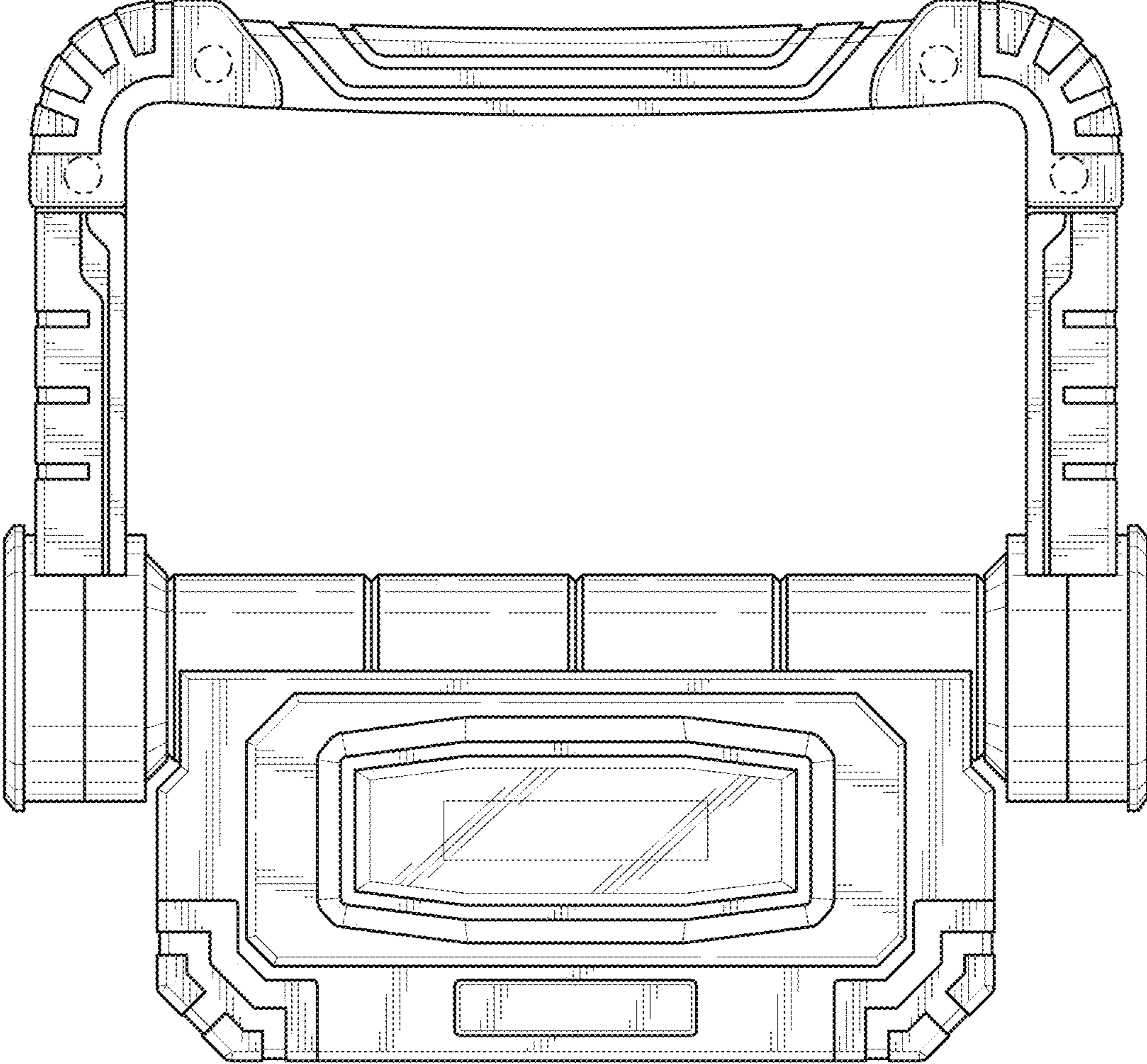


FIG. 3

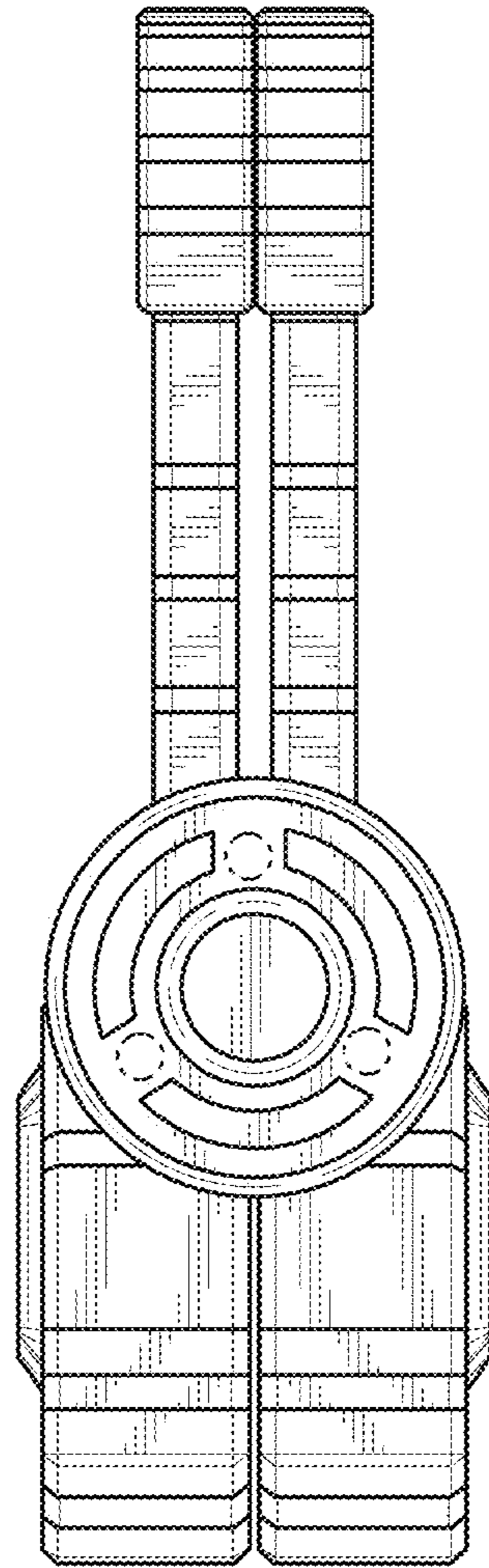


FIG. 4

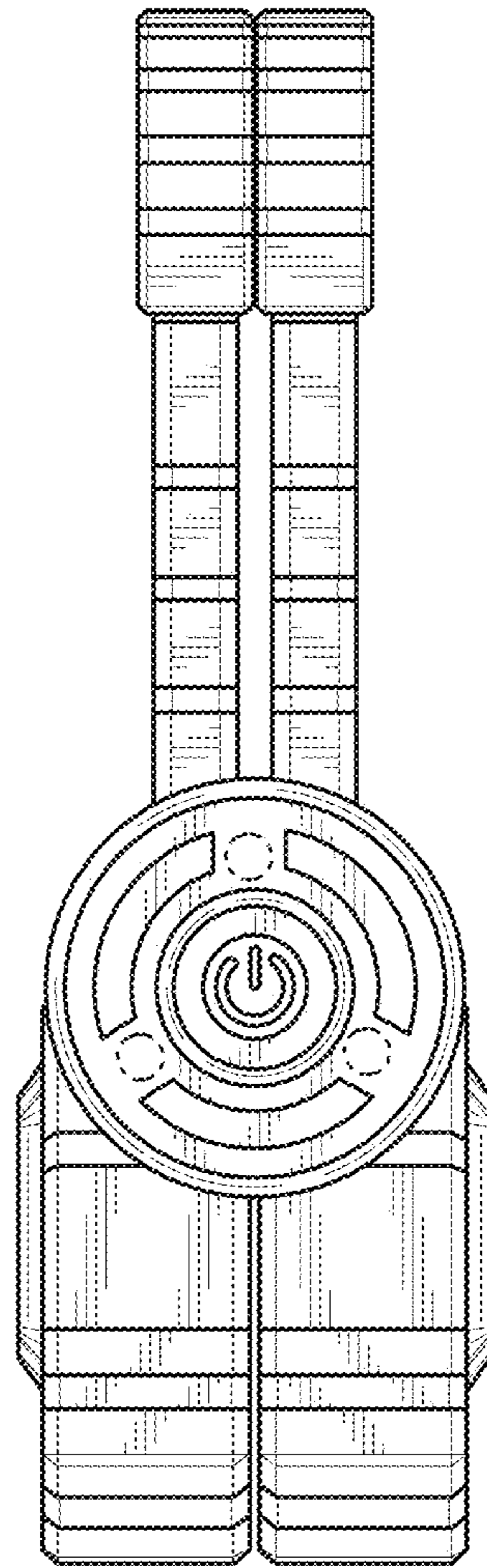


FIG. 5

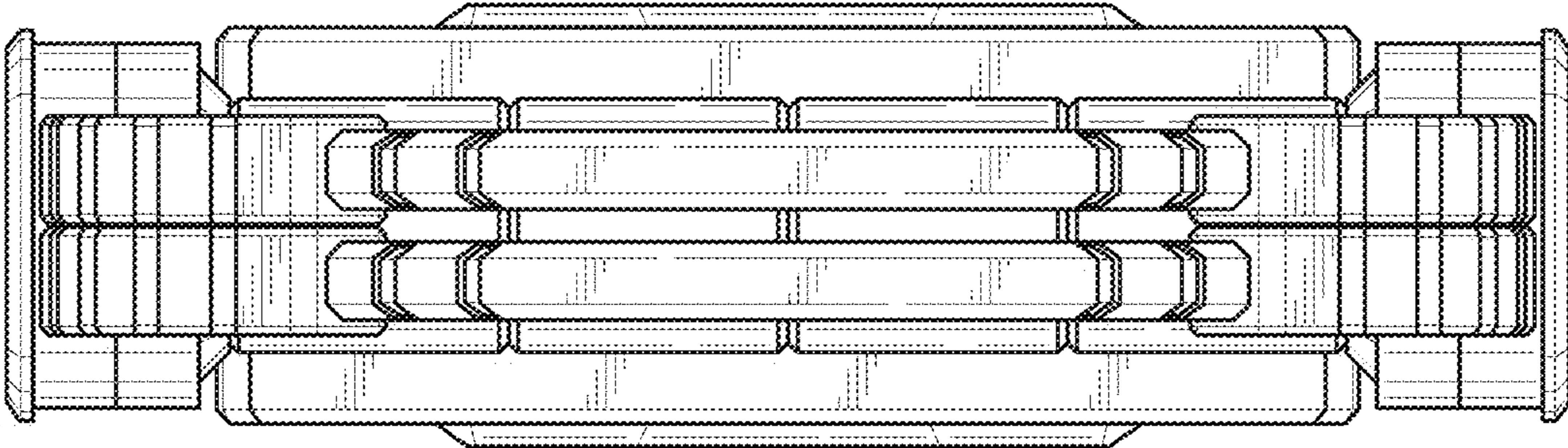


FIG. 6

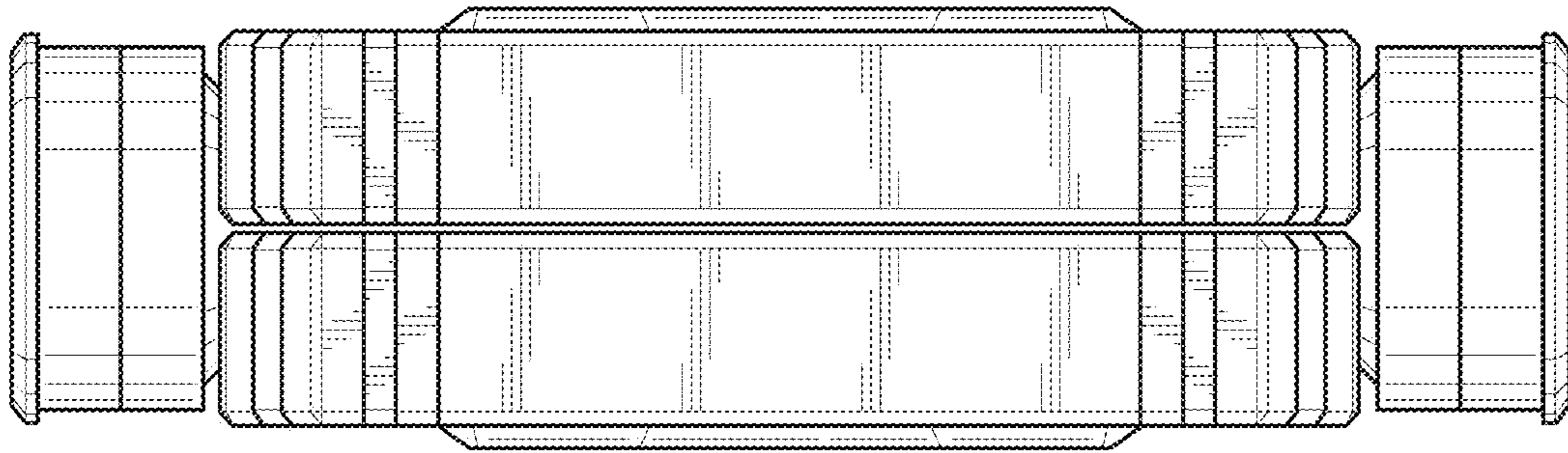


FIG. 7

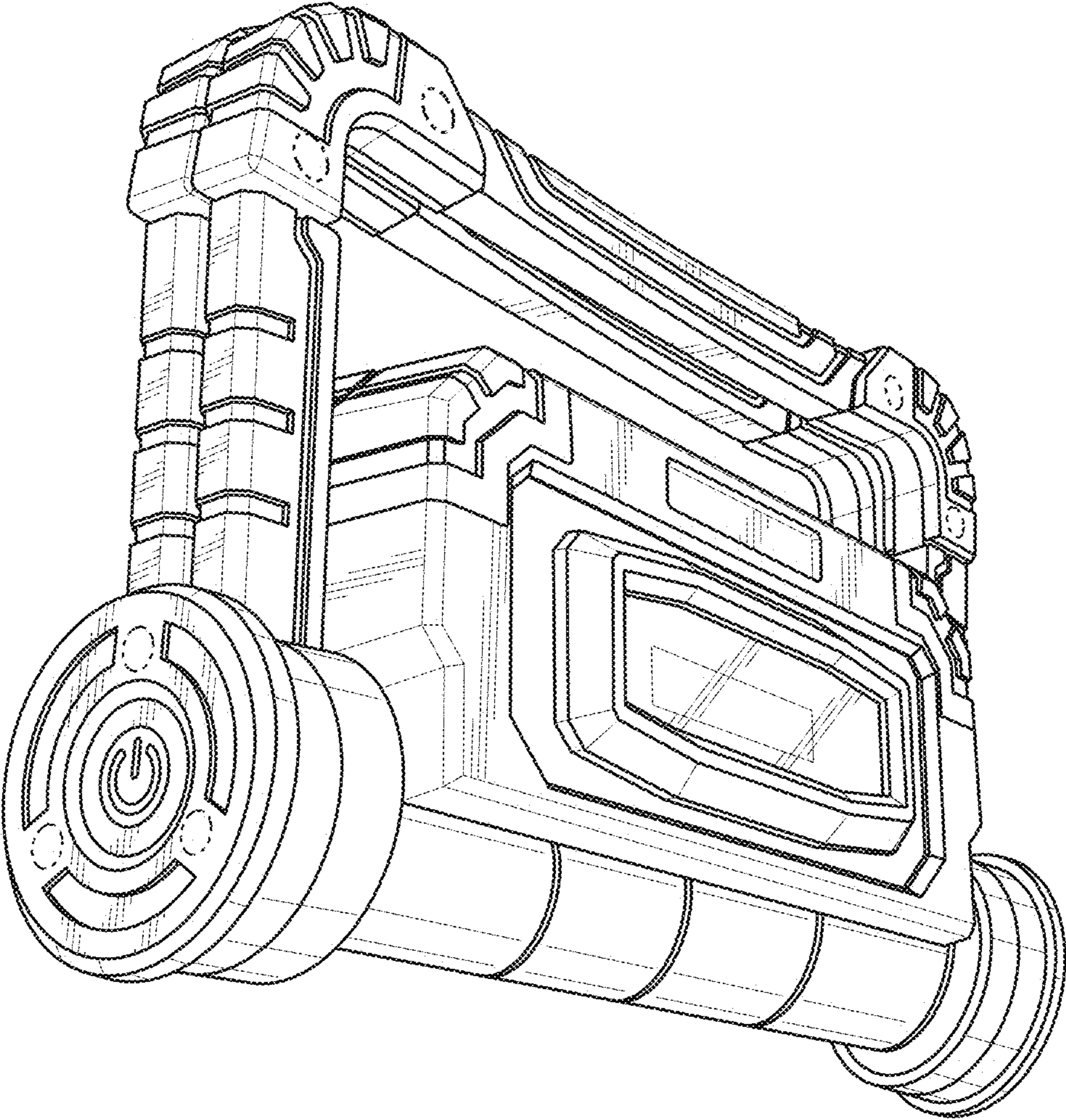


FIG. 8

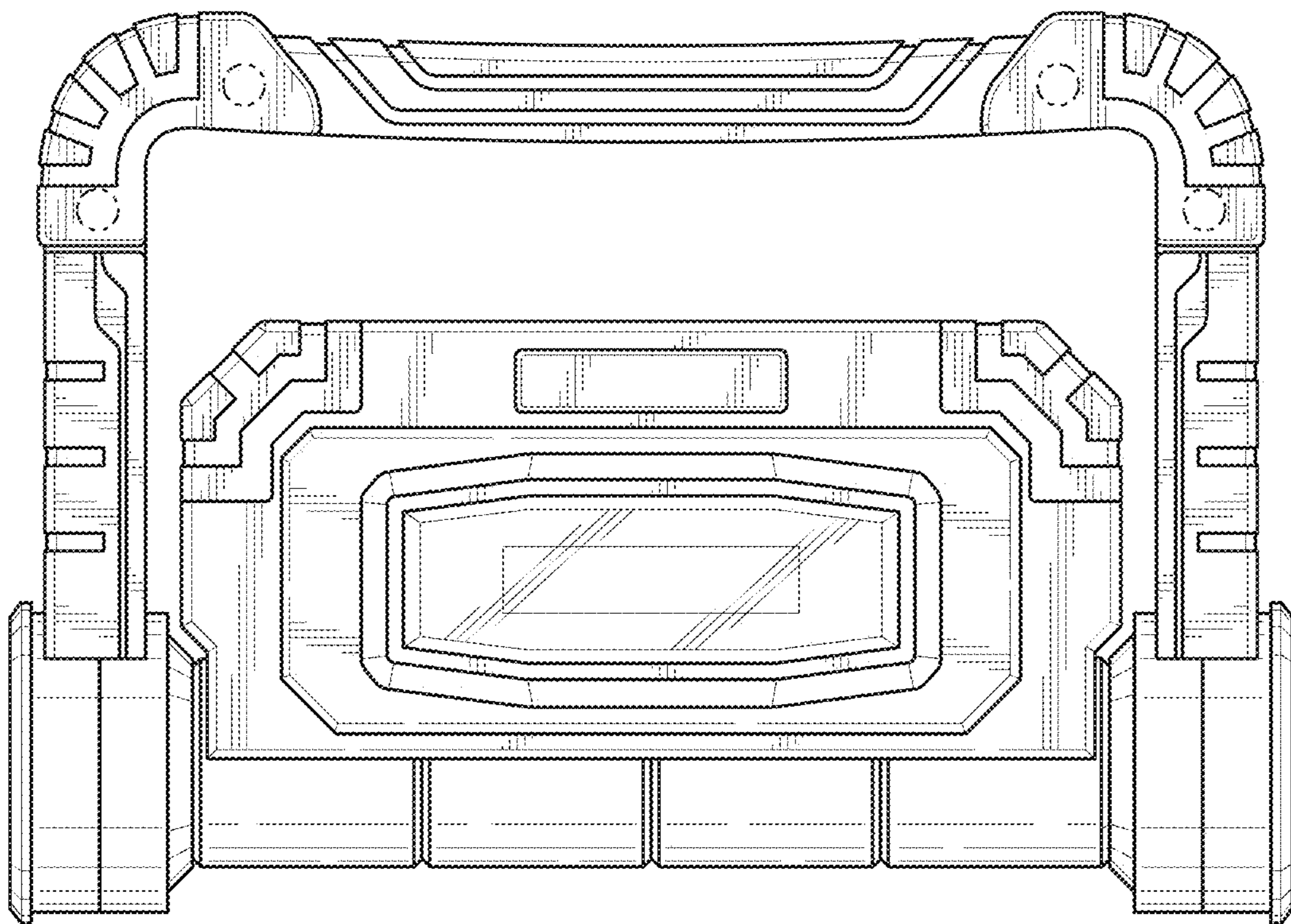


FIG. 9

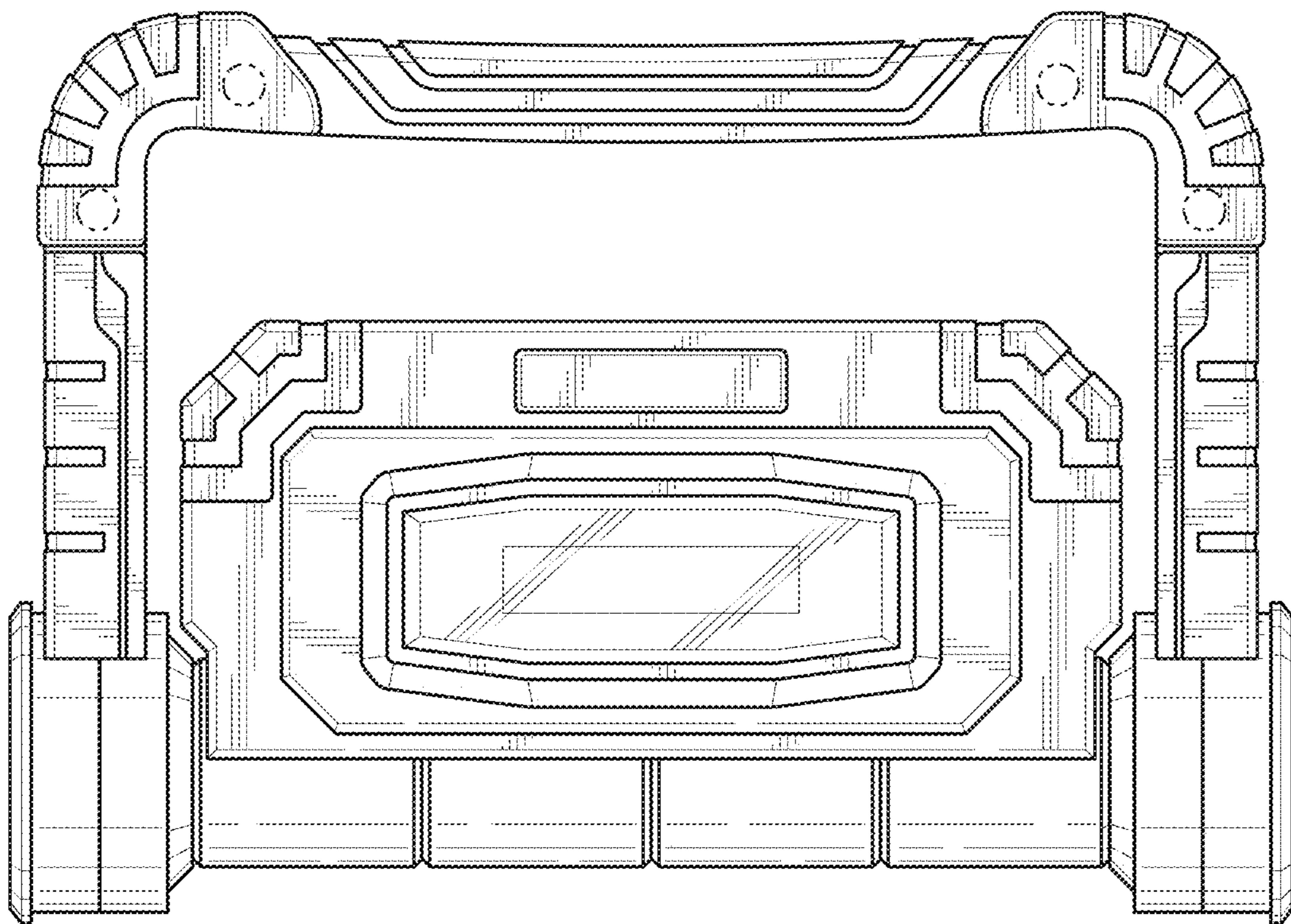


FIG. 10

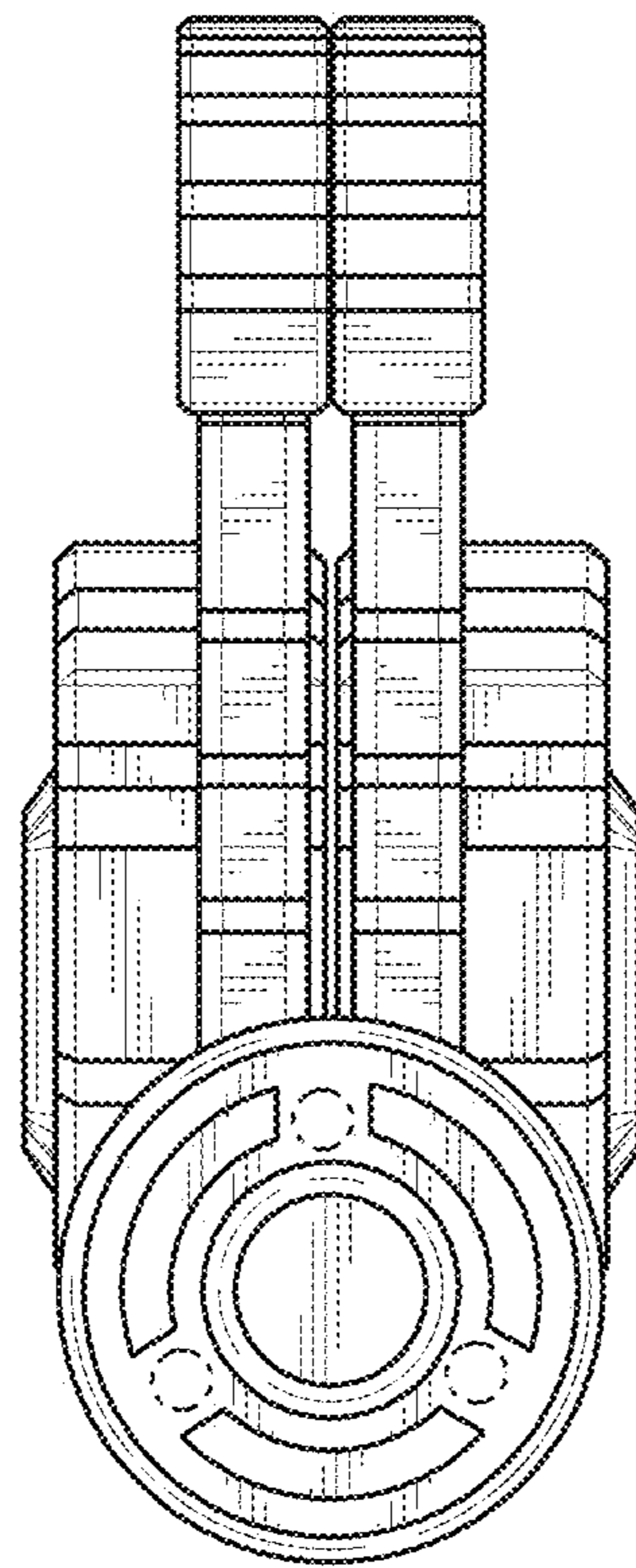


FIG. 11

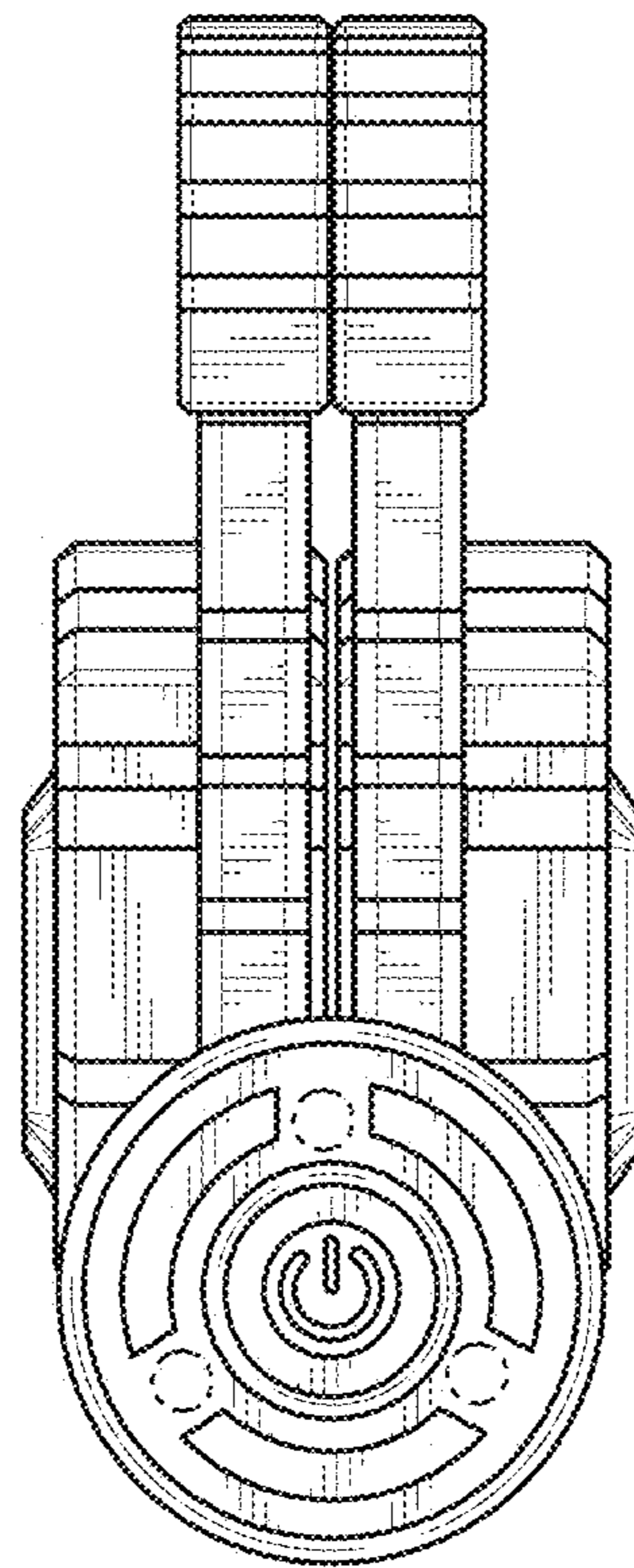


FIG. 12

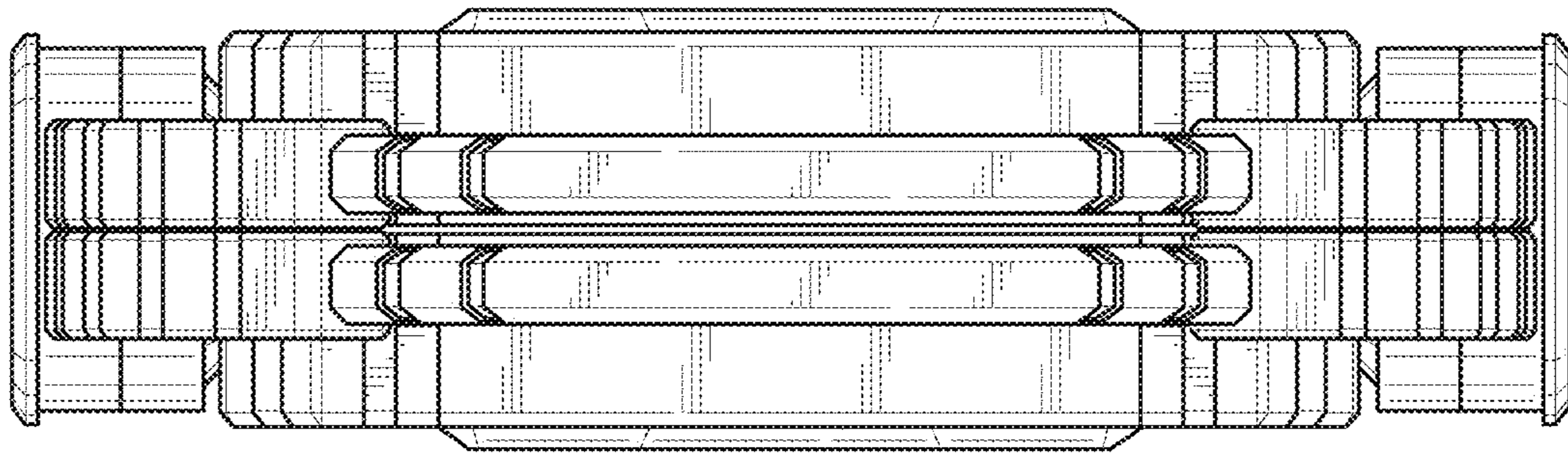


FIG. 13

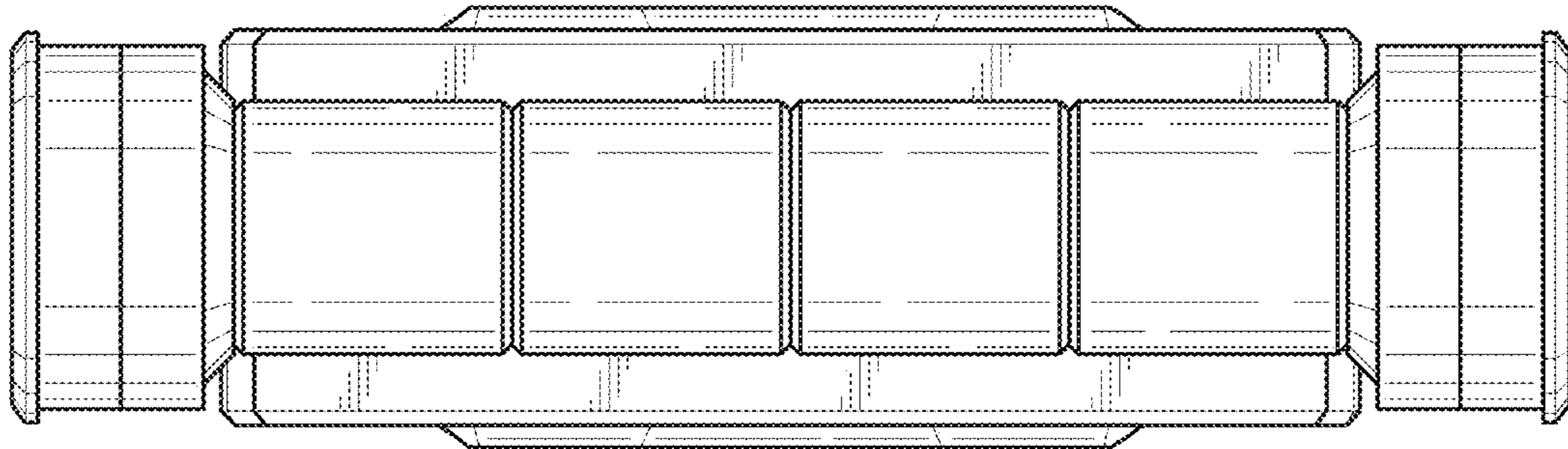


FIG. 14

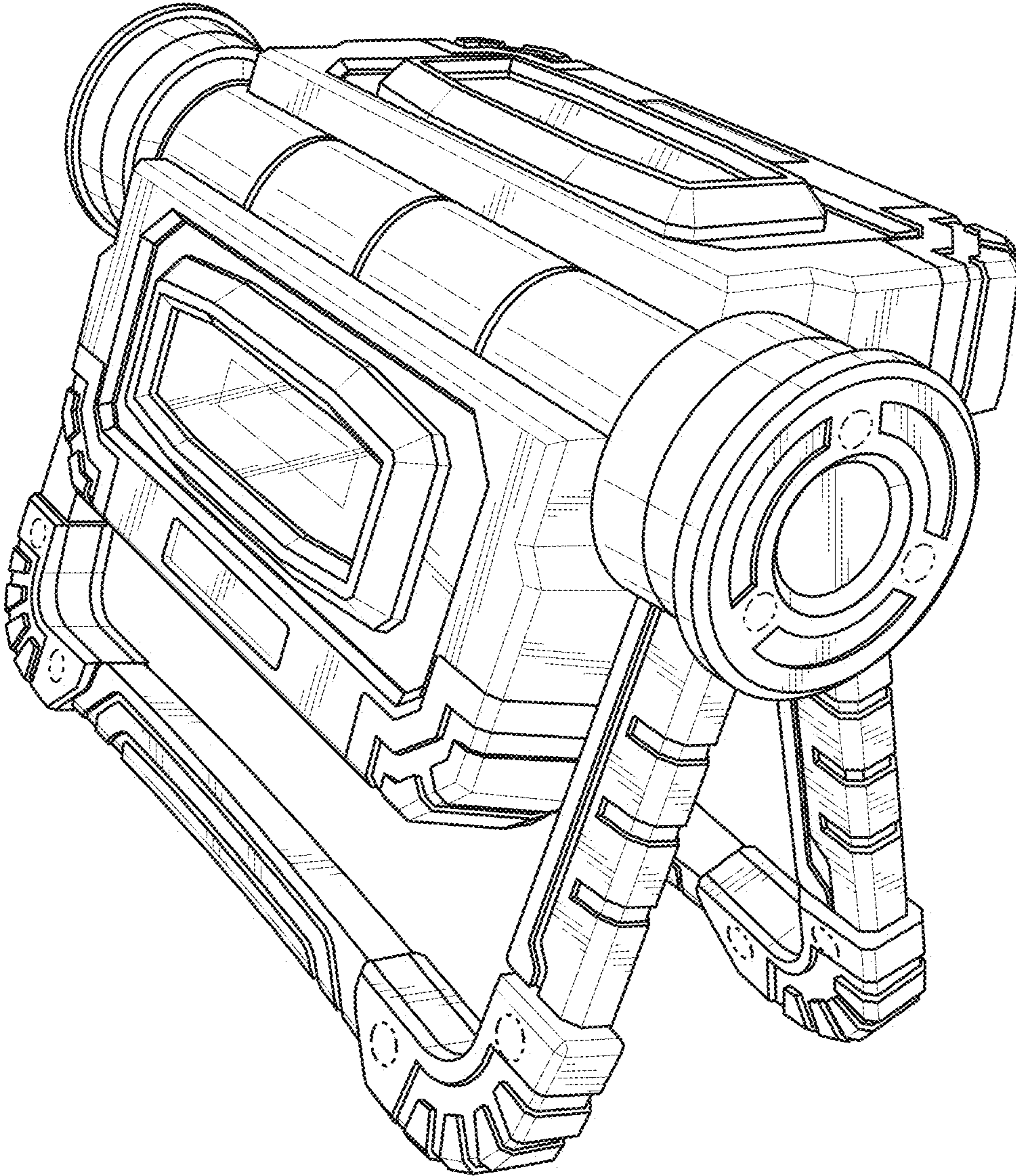


FIG. 15

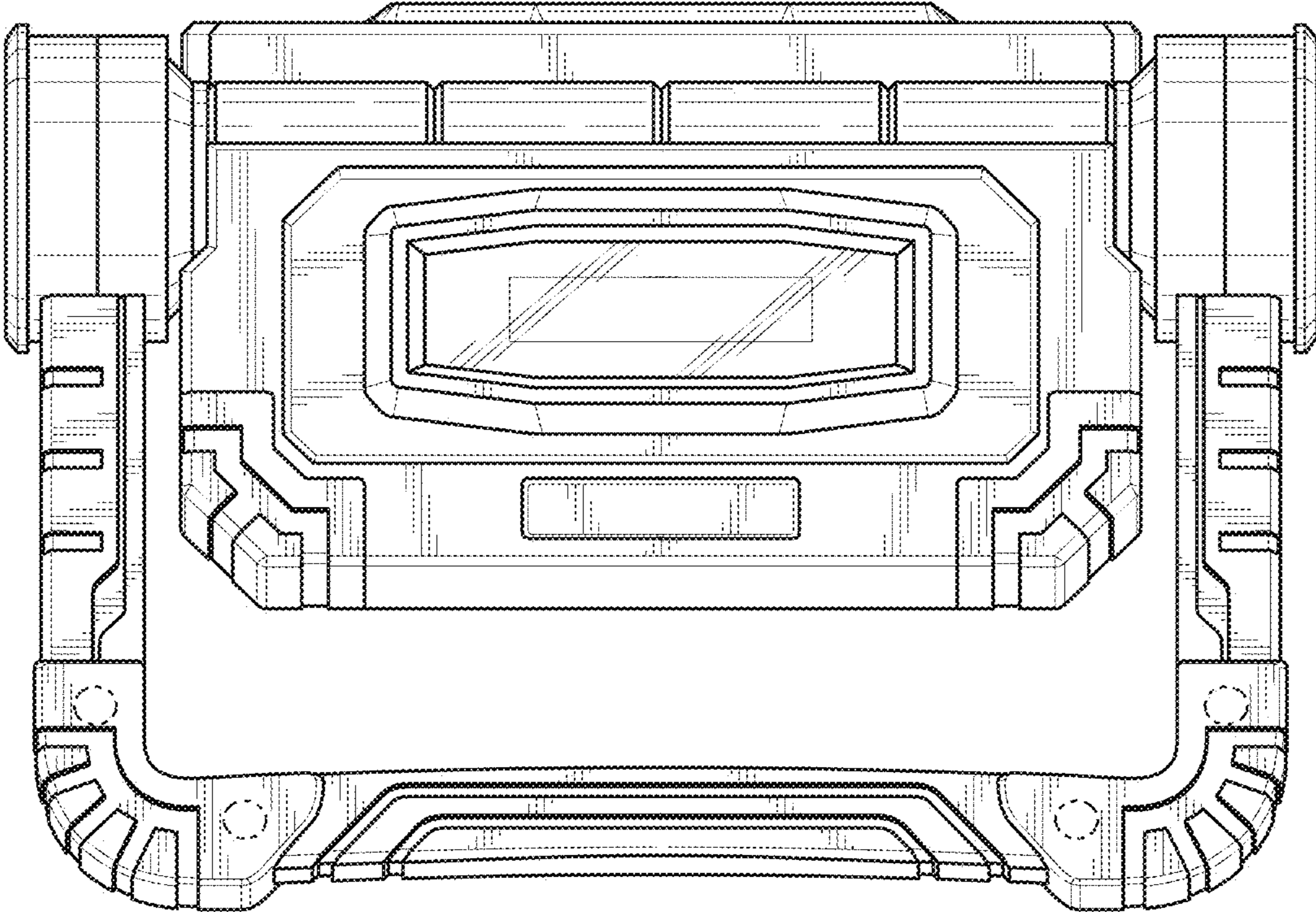


FIG. 16

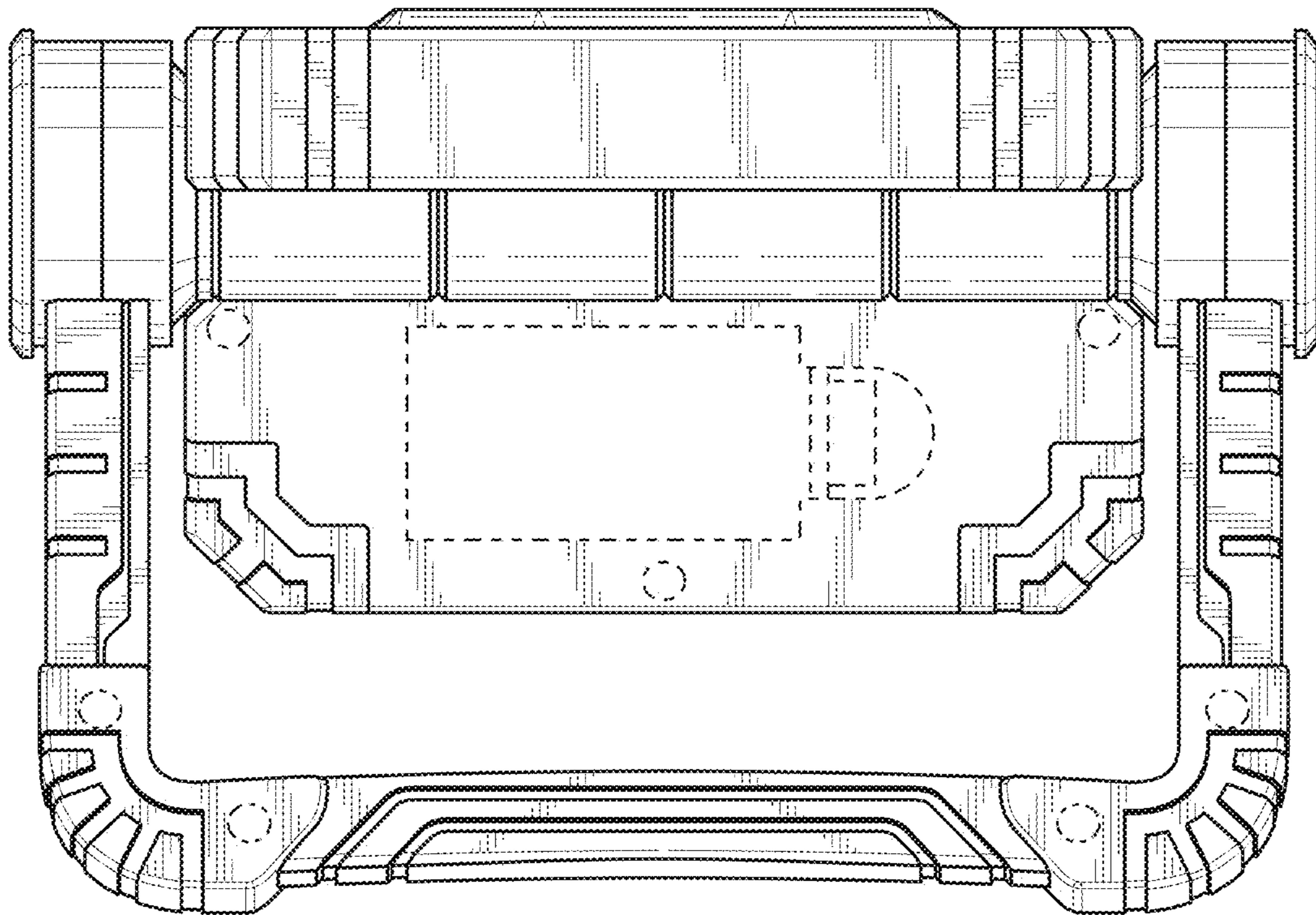


FIG. 17

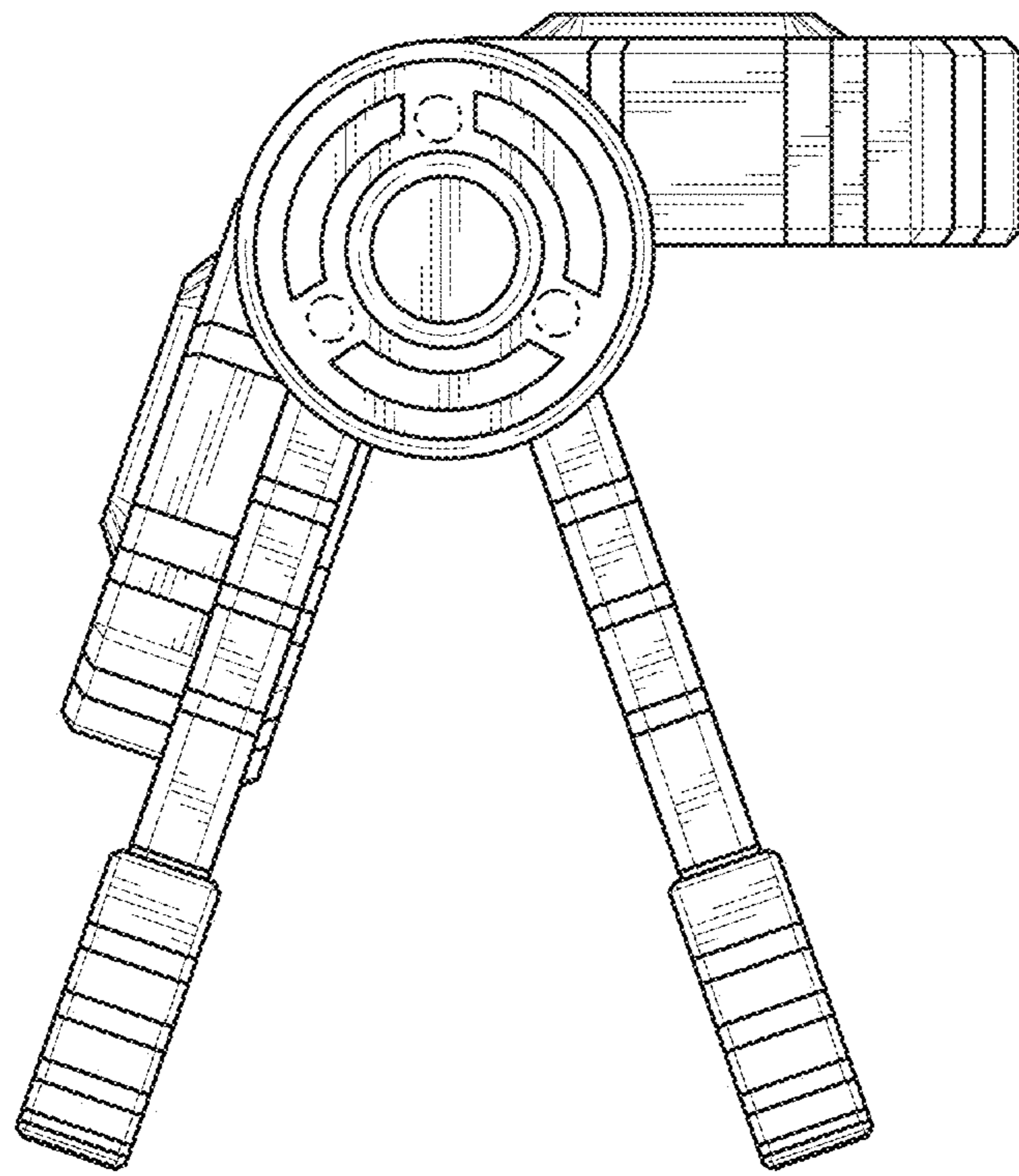


FIG. 18

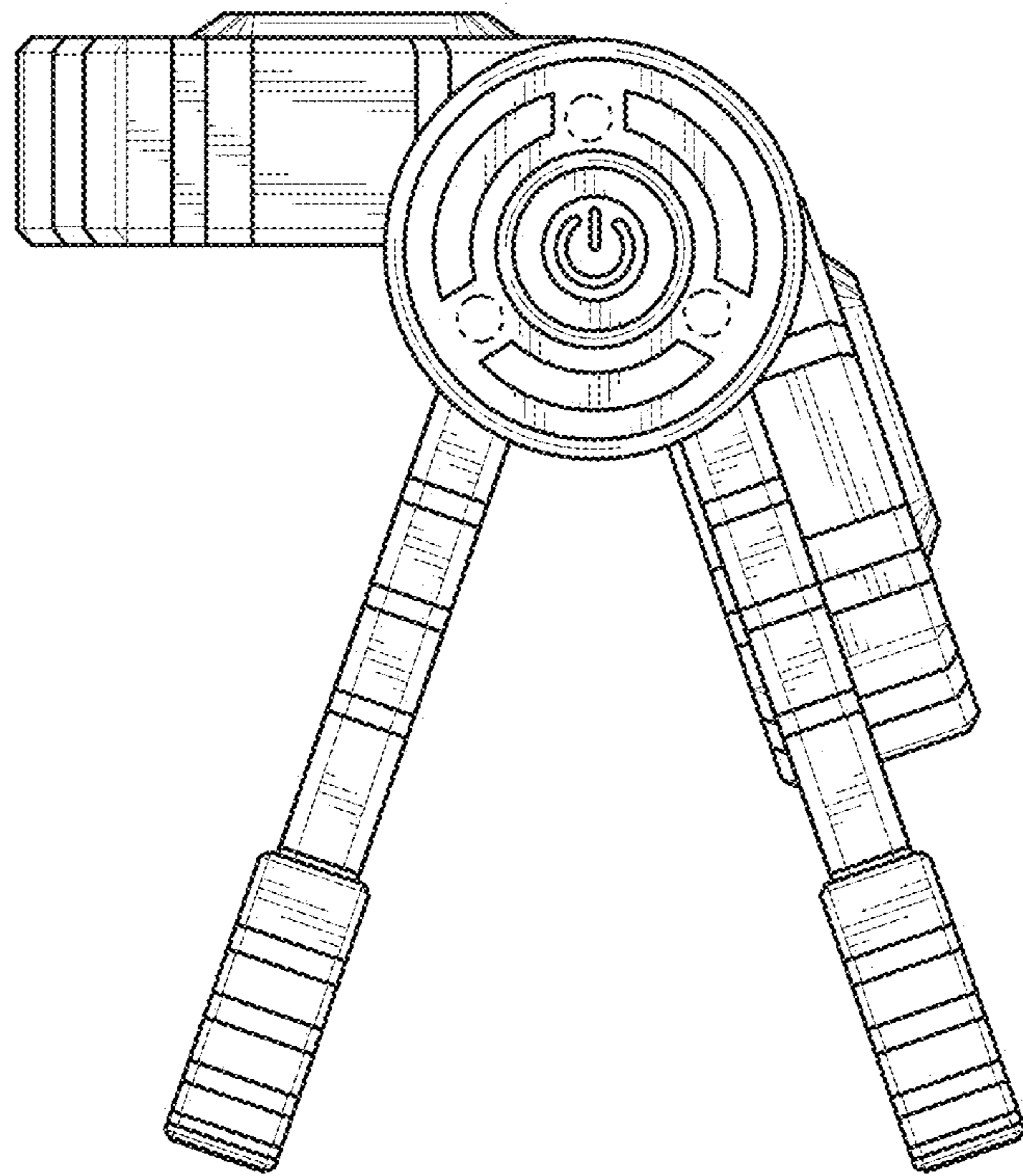


FIG. 19

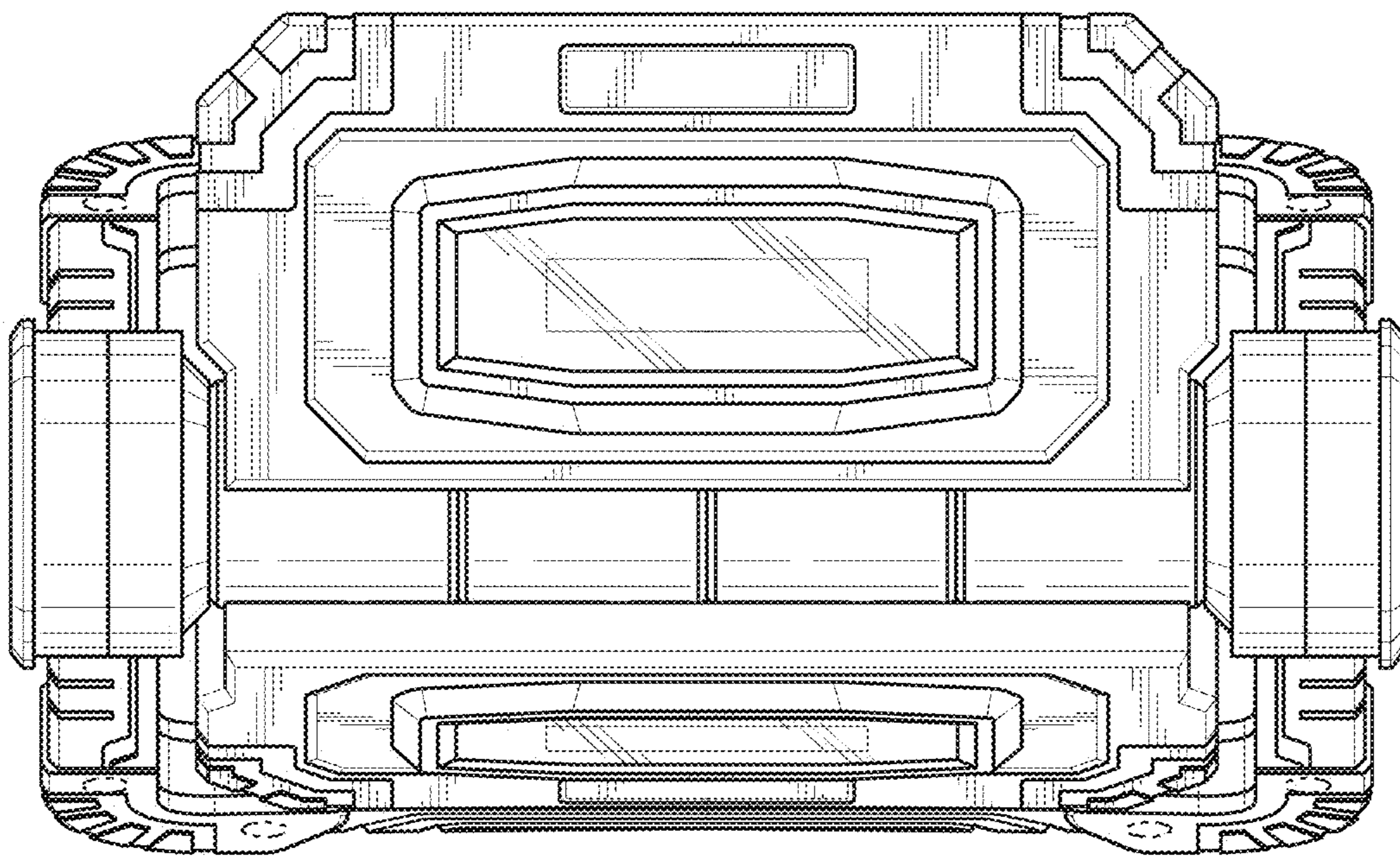


FIG. 20

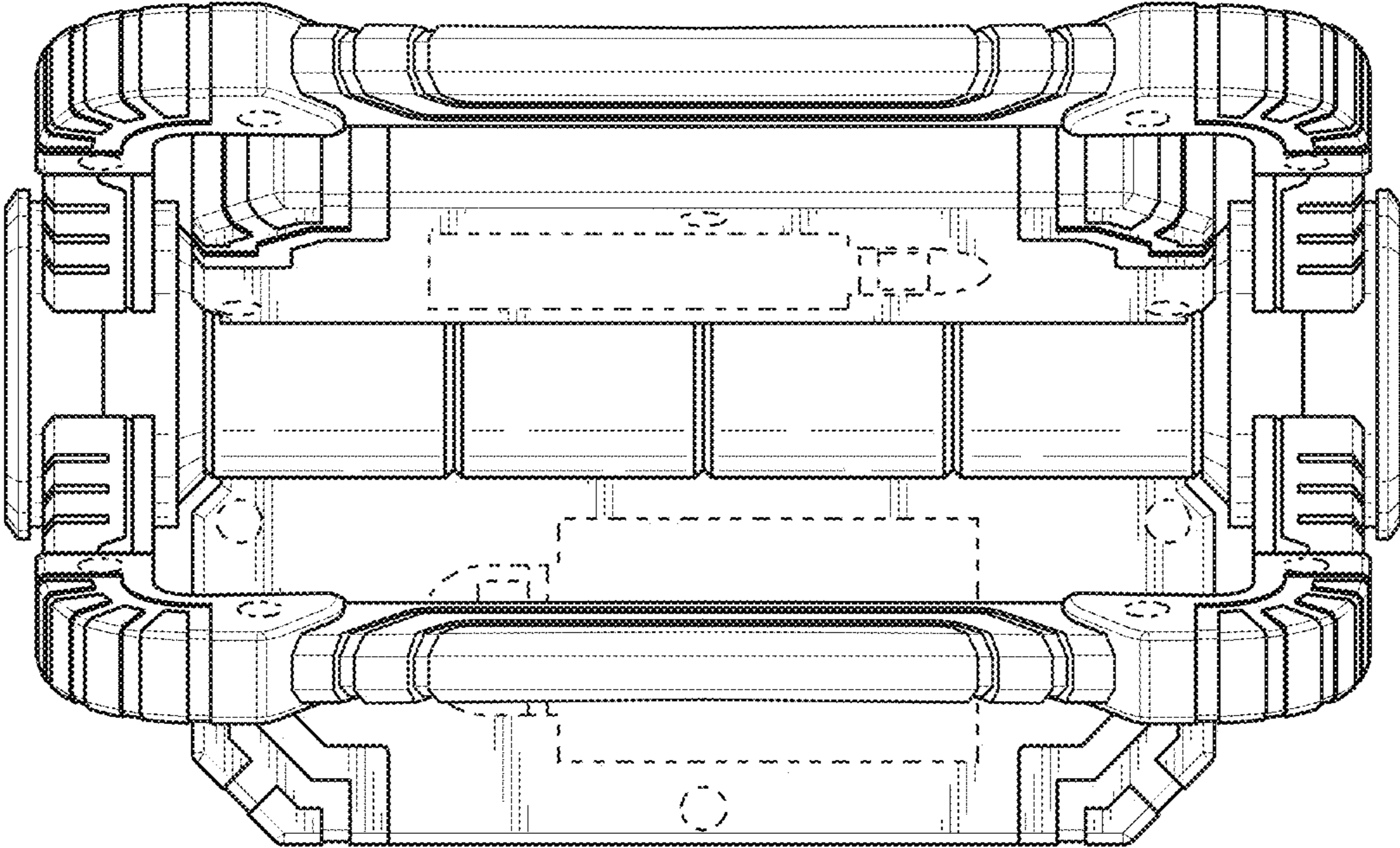


FIG. 21

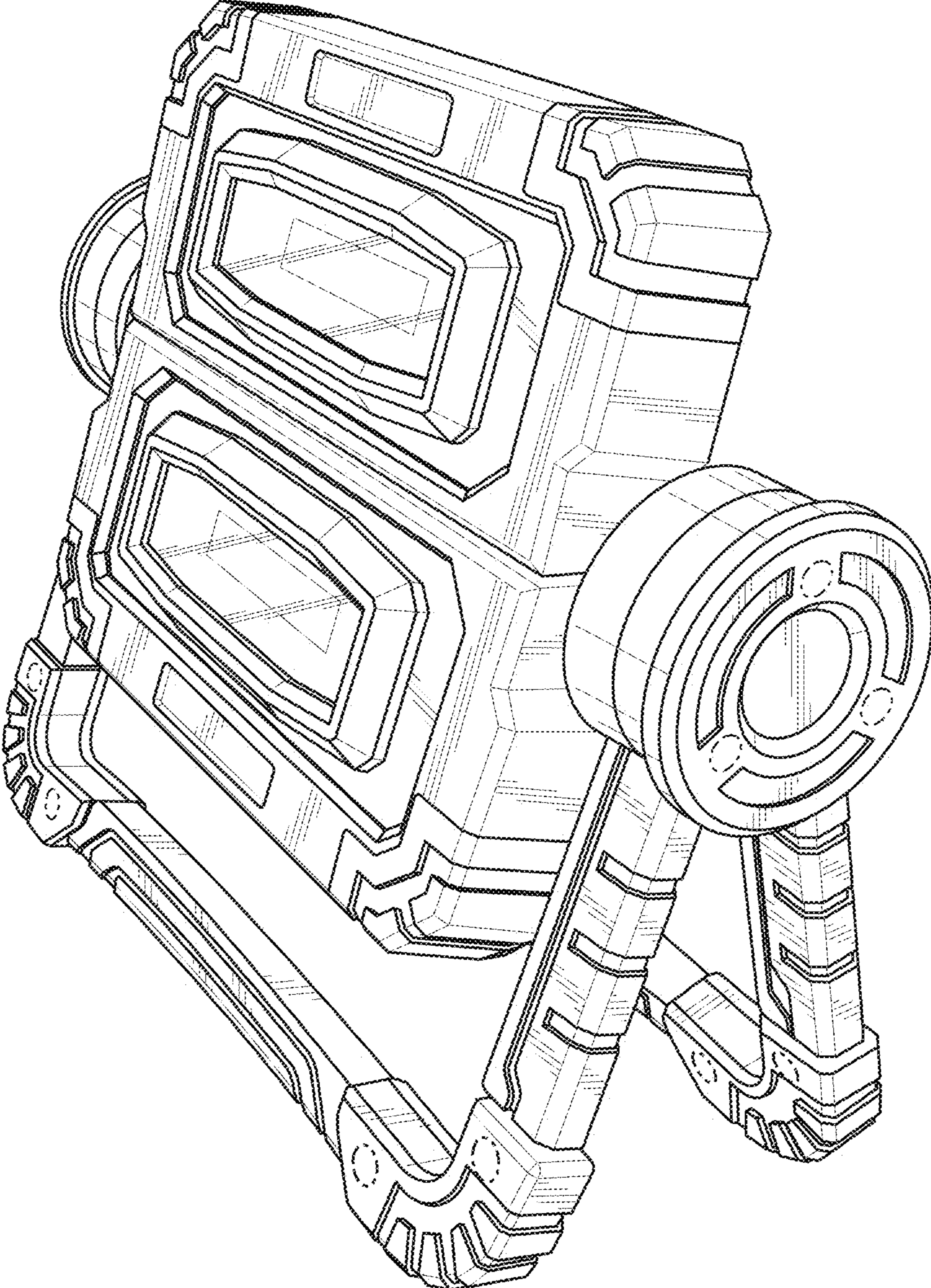


FIG. 22

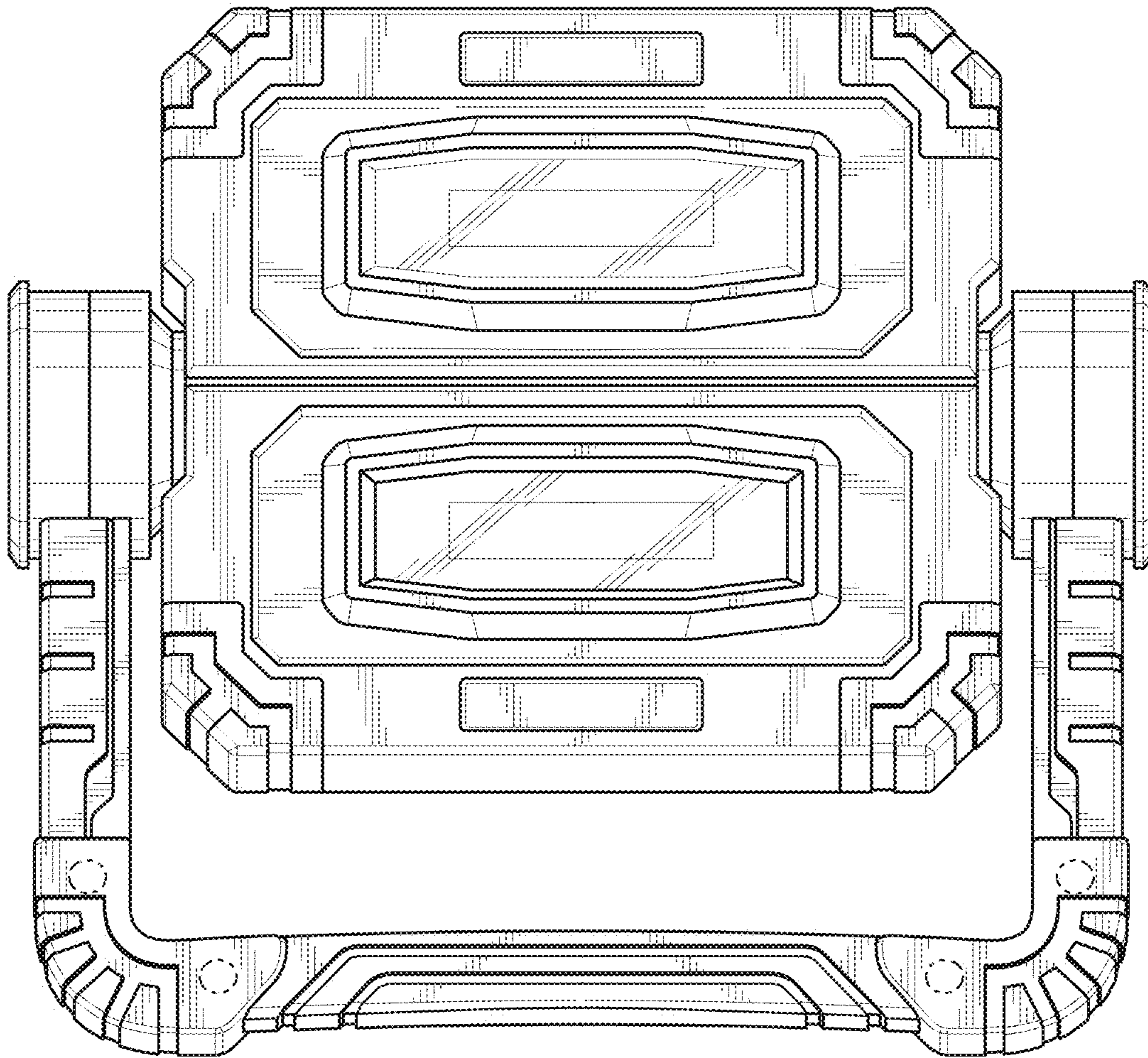


FIG. 23

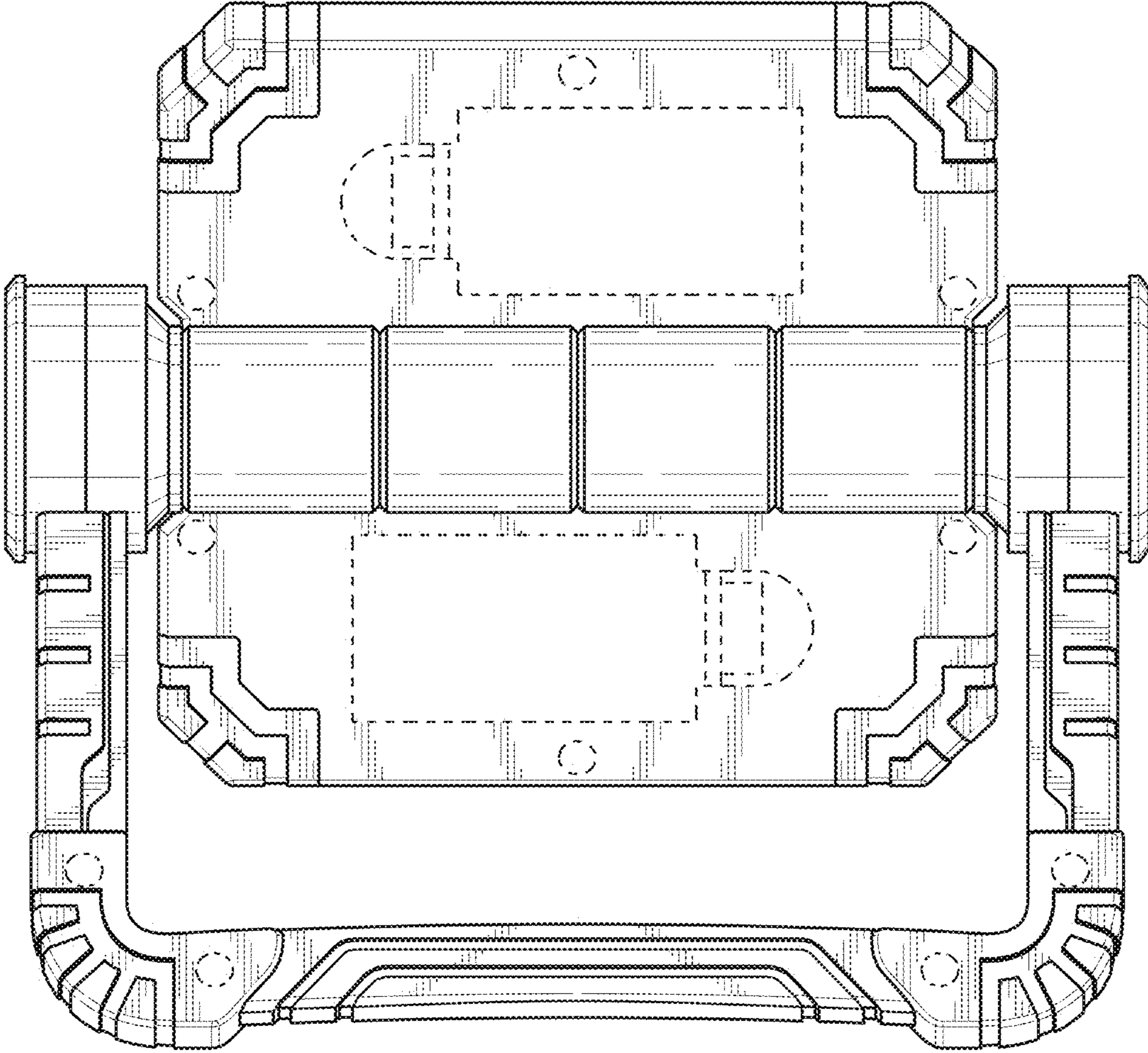


FIG. 24

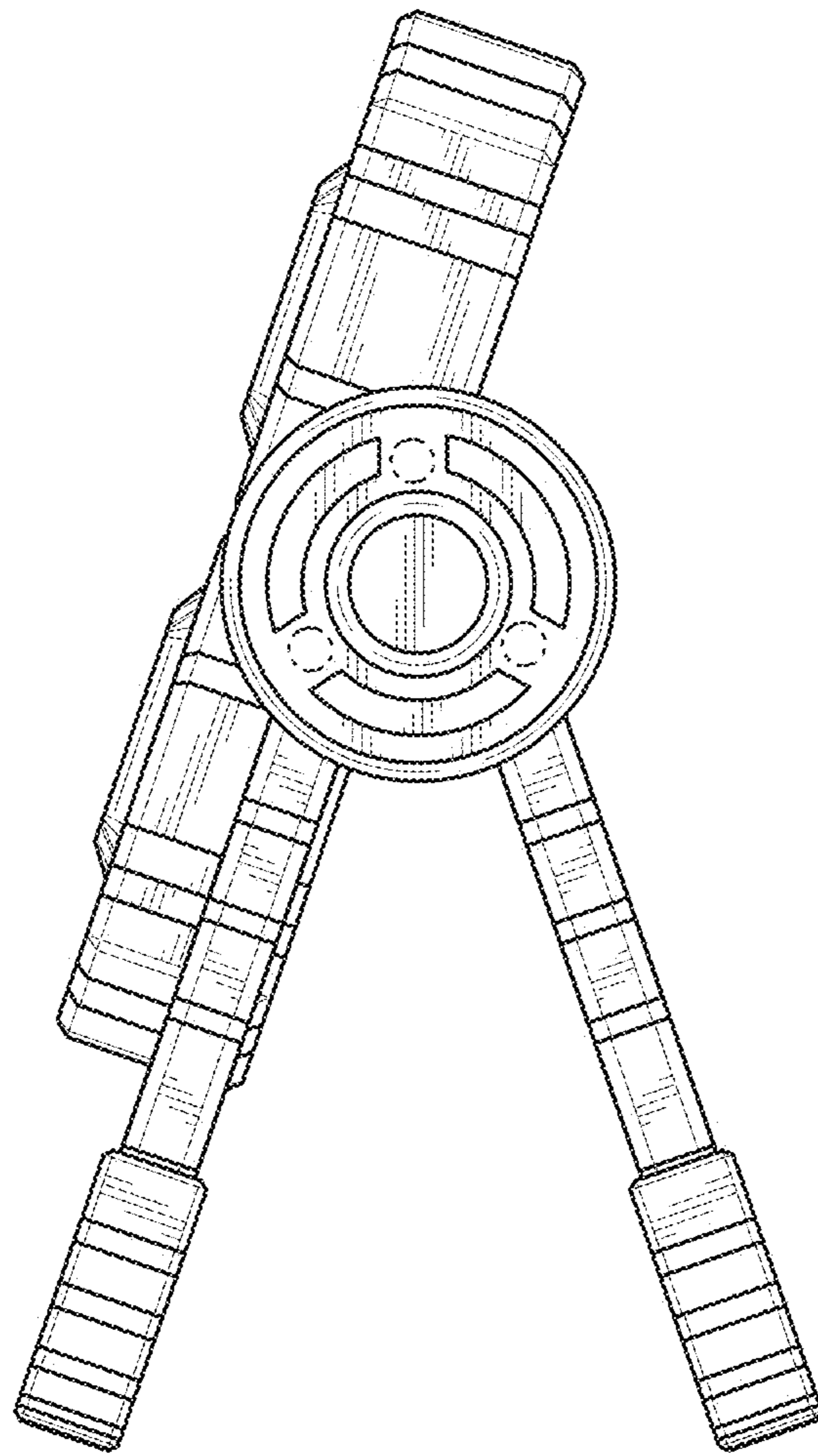


FIG. 25

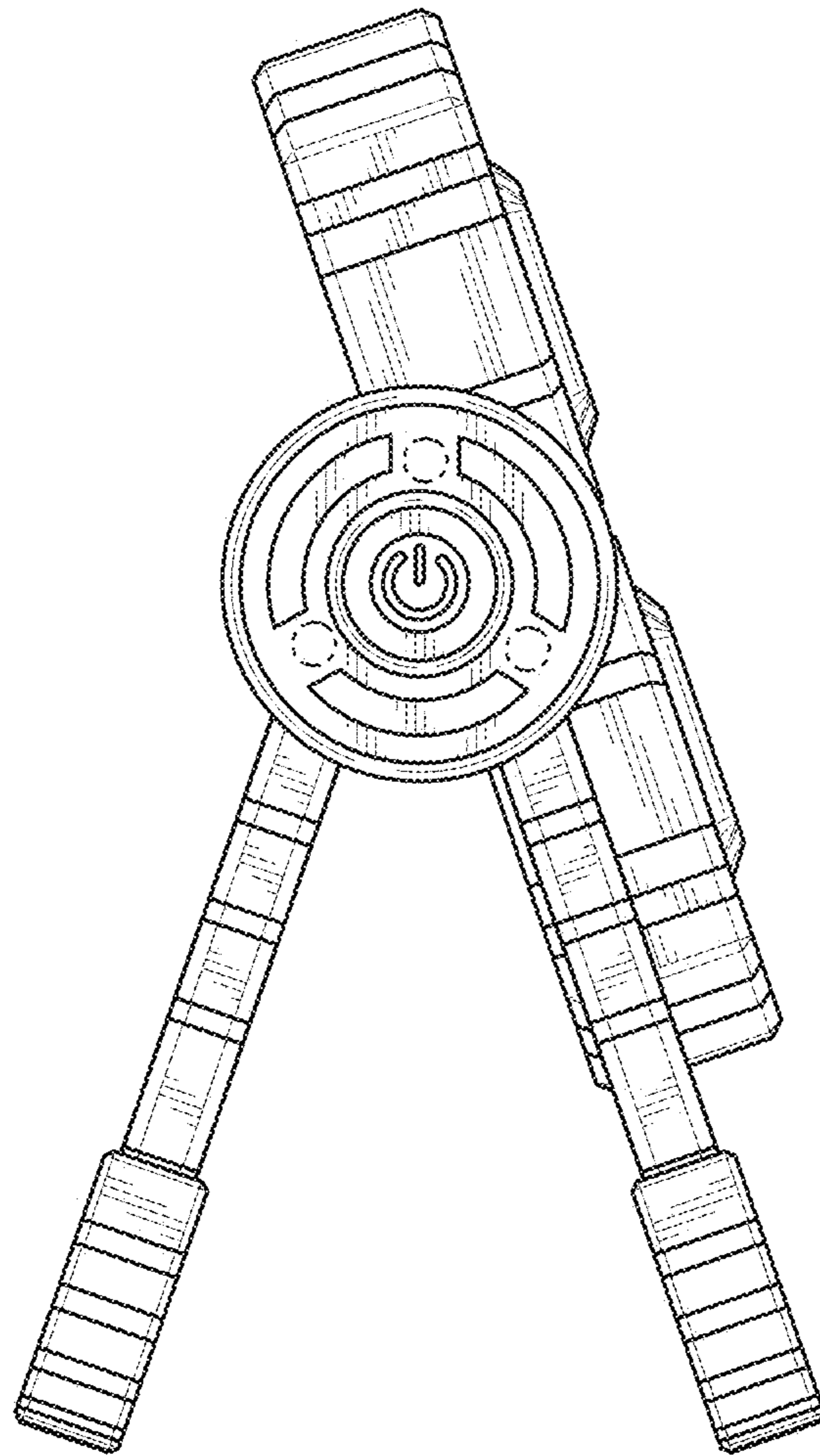


FIG. 26

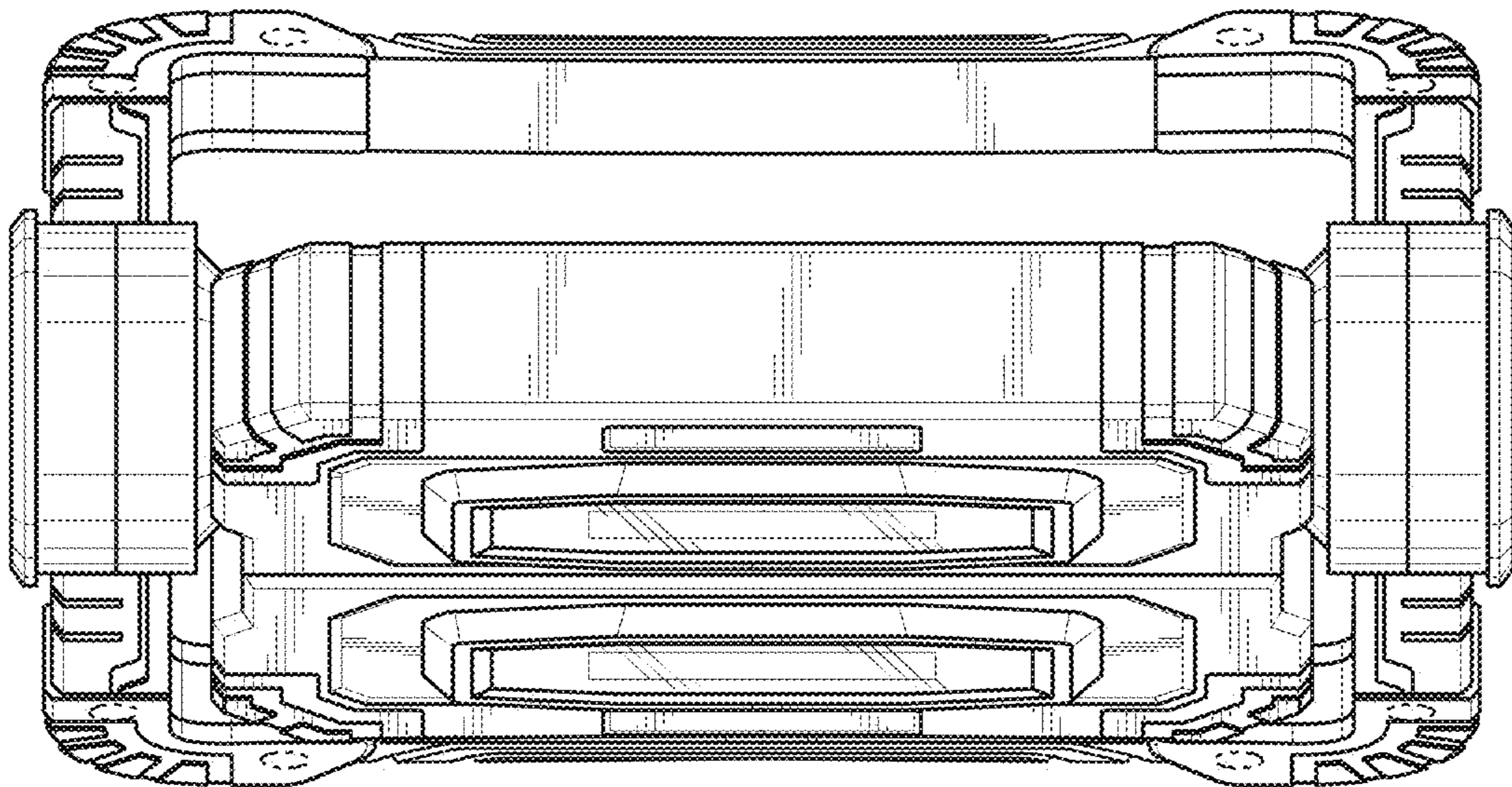


FIG. 27

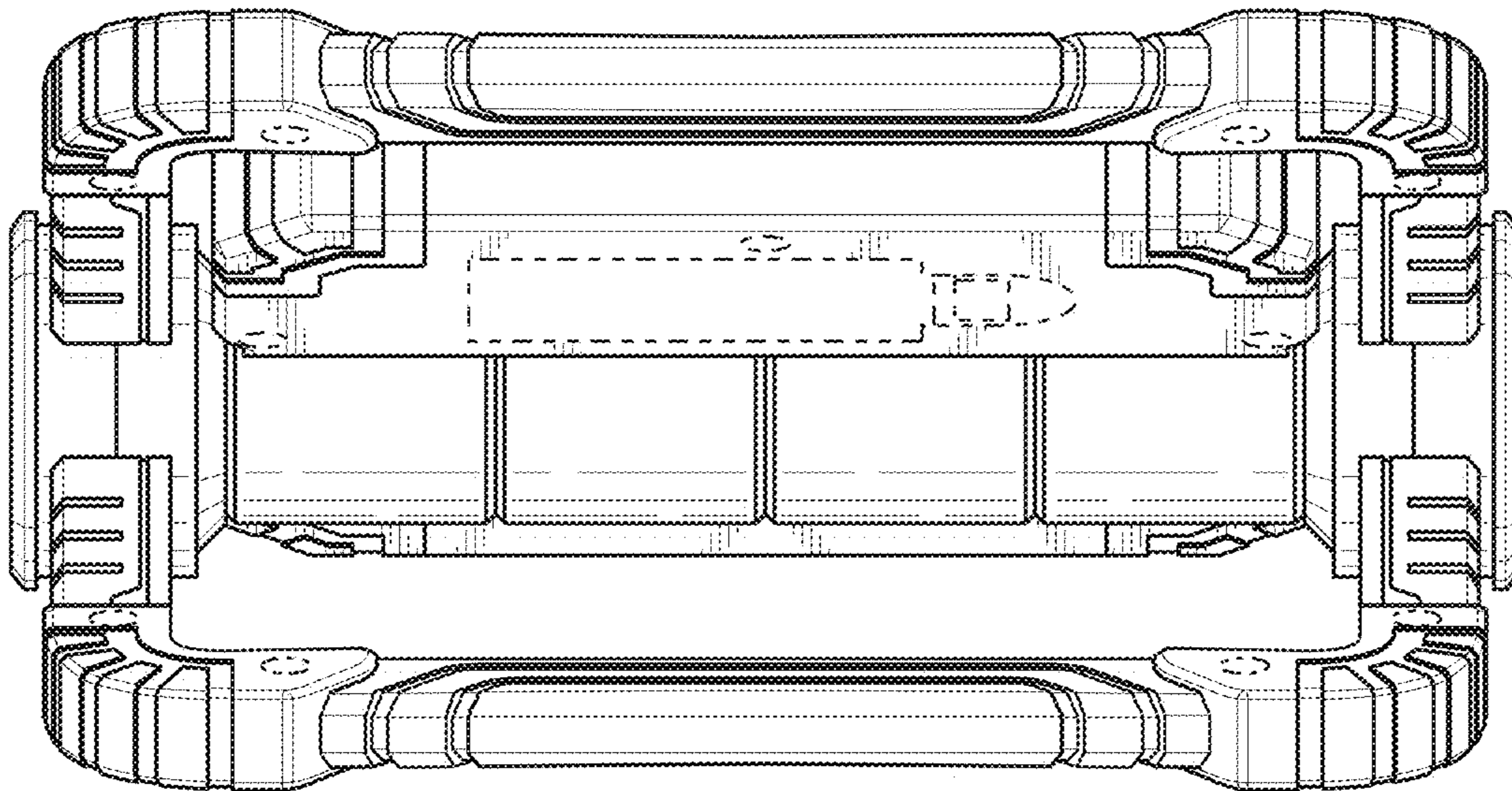


FIG. 28