



US00D899655S

(12) **United States Design Patent**
Zhang

(10) **Patent No.:** **US D899,655 S**

(45) **Date of Patent:** **** Oct. 20, 2020**

(54) **WORKING LAMP**

(71) Applicant: **YUYAO JINFENG ELECTRIC APPLIANCE CO., LTD.**, Zhejiang (CN)

(72) Inventor: **Jifeng Zhang**, Zhejiang (CN)

(73) Assignee: **YUYAO JINFENG ELECTRIC APPLIANCE CO., LTD.**, Zhejiang (CN)

(**) Term: **15 Years**

(21) Appl. No.: **29/661,419**

(22) Filed: **Aug. 28, 2018**

(30) **Foreign Application Priority Data**

Jul. 11, 2018 (CN) 2018 3 0373043

(51) **LOC (12) Cl.** **26-05**

(52) **U.S. Cl.**
USPC **D26/63**

(58) **Field of Classification Search**
USPC D26/1, 24, 37, 41, 44, 49, 51, 60-61, 63, D26/65, 85, 92, 119
CPC F21V 21/14; F21V 21/30; F21V 21/00; F21V 15/01; F21V 14/02; F21V 14/00; F21S 8/00; F21S 8/003; F21S 8/043
See application file for complete search history.

(56) **References Cited**

U.S. PATENT DOCUMENTS

D700,382 S *	2/2014	Christ	D26/41
D779,094 S *	2/2017	Xu	D26/63
D779,097 S *	2/2017	Xu	D26/63
D843,626 S *	3/2019	Green	D26/65
D843,627 S *	3/2019	Green	D26/65
D844,207 S *	3/2019	Zhang	D26/63
D854,718 S *	7/2019	Yuan	D26/63
D855,233 S *	7/2019	Qiu	D26/74
D855,234 S *	7/2019	Qiu	D26/74

D861,946 S *	10/2019	Green	D26/65
D863,632 S *	10/2019	Cacciabeve	D26/37
D866,027 S *	11/2019	Cacciabeve	D26/37
D875,284 S *	2/2020	Cacciabeve	D26/37
D880,036 S *	3/2020	Qiu	D26/63
D880,743 S *	4/2020	Qiu	D26/63
2006/0146523 A1 *	7/2006	Yuen	F21L 14/026 362/183
2017/0108197 A1 *	4/2017	Cacciabeve	F21V 15/04

OTHER PUBLICATIONS

www.nbjinfeng.com: LED Work Light with Jump Start. Undated online product page. Retrieved on Jul. 23, 2020 from <http://www.nbjinfeng.com/product.php?cid=15> (Year: 2020).*

* cited by examiner

Primary Examiner — Sheryl Lane
Assistant Examiner — Stacey L Hopkins
(74) *Attorney, Agent, or Firm* — JCIPRNET

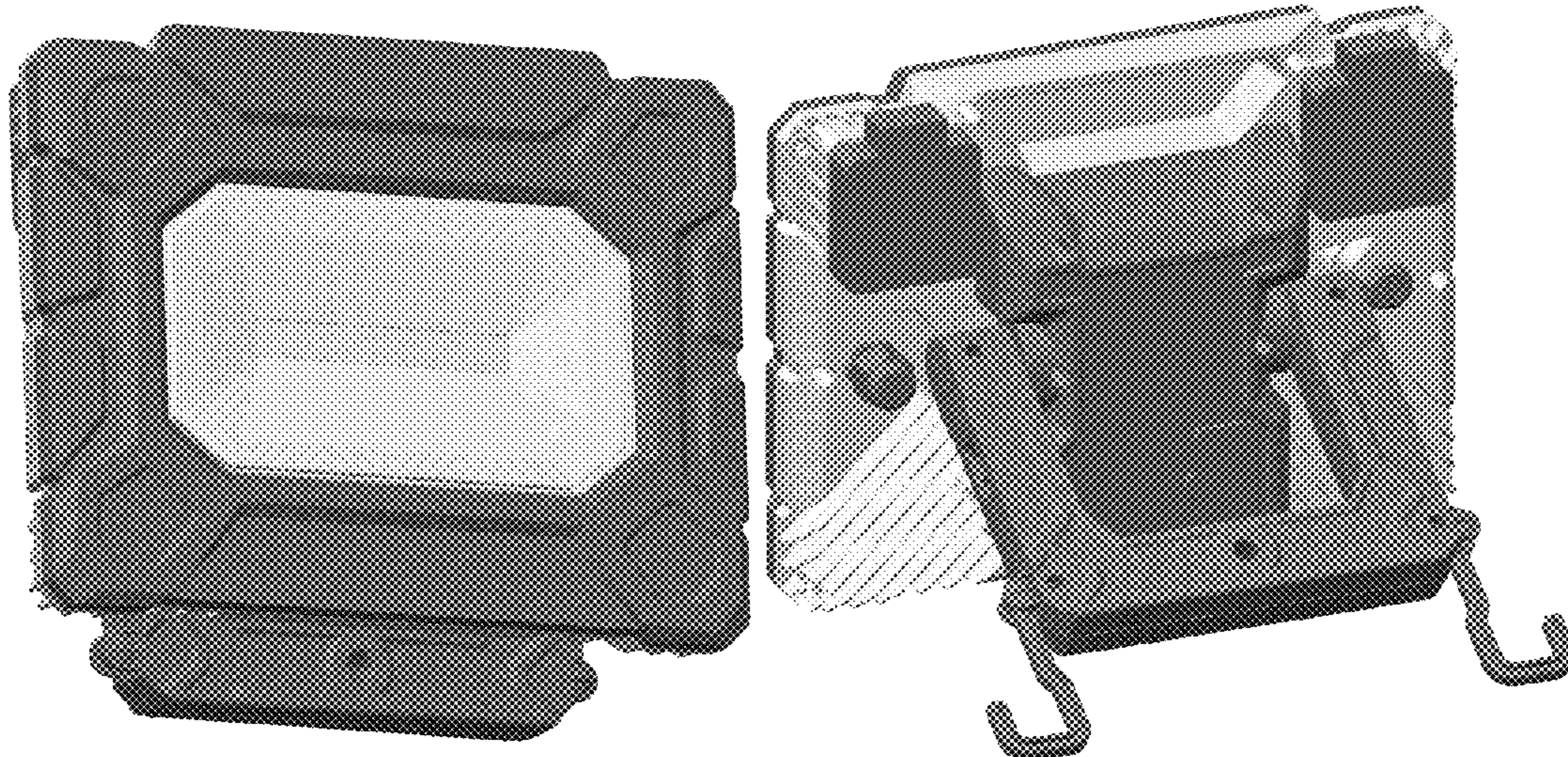
(57) **CLAIM**

The ornamental design for a working lamp, as shown and described.

DESCRIPTION

FIG. 1 is a perspective view of a working lamp showing my new design;
FIG. 2 is a front view thereof;
FIG. 3 is a rear view thereof;
FIG. 4 is a left side view thereof;
FIG. 5 is a right side view thereof;
FIG. 6 is a top view thereof; and
FIG. 7 is a bottom view thereof;
FIG. 8 is another perspective view thereof, wherein a stand of the present design is stretched out; and,
FIG. 9 is another perspective view thereof, wherein the stand of the present design is stretched out.
The figures show contrasting appearance, but no particular color is claimed.

1 Claim, 9 Drawing Sheets



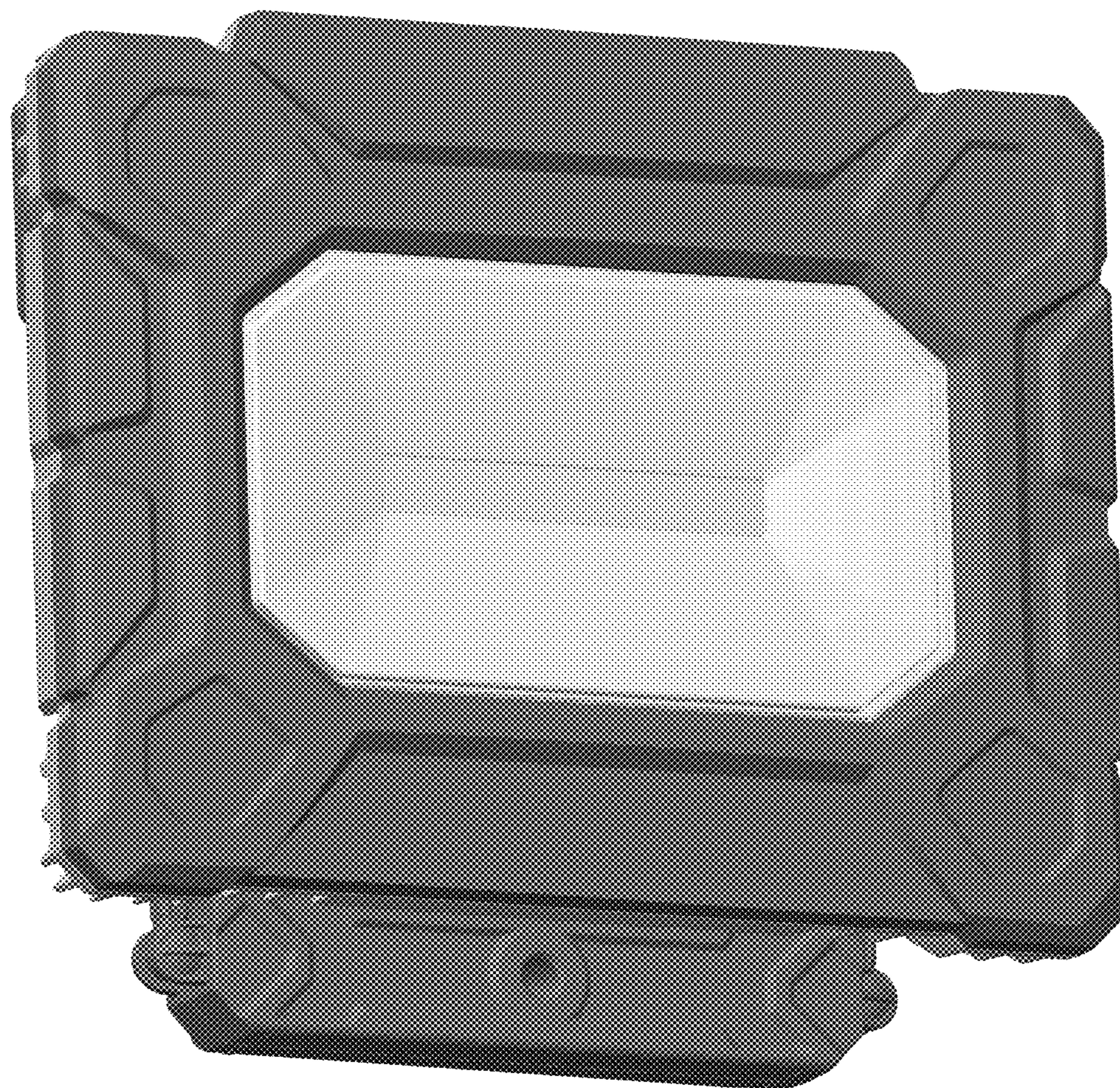


FIG. 1

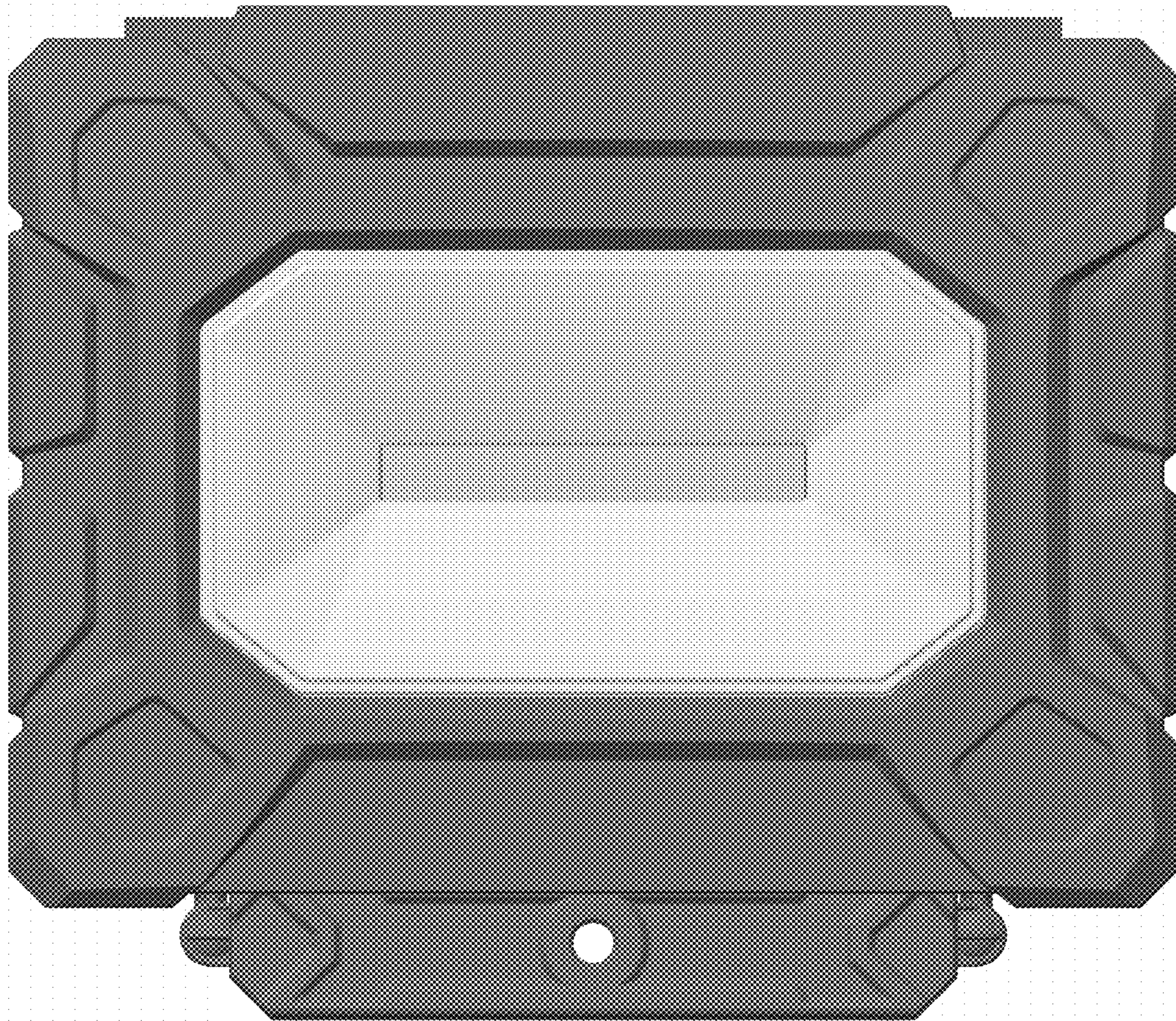


FIG. 2

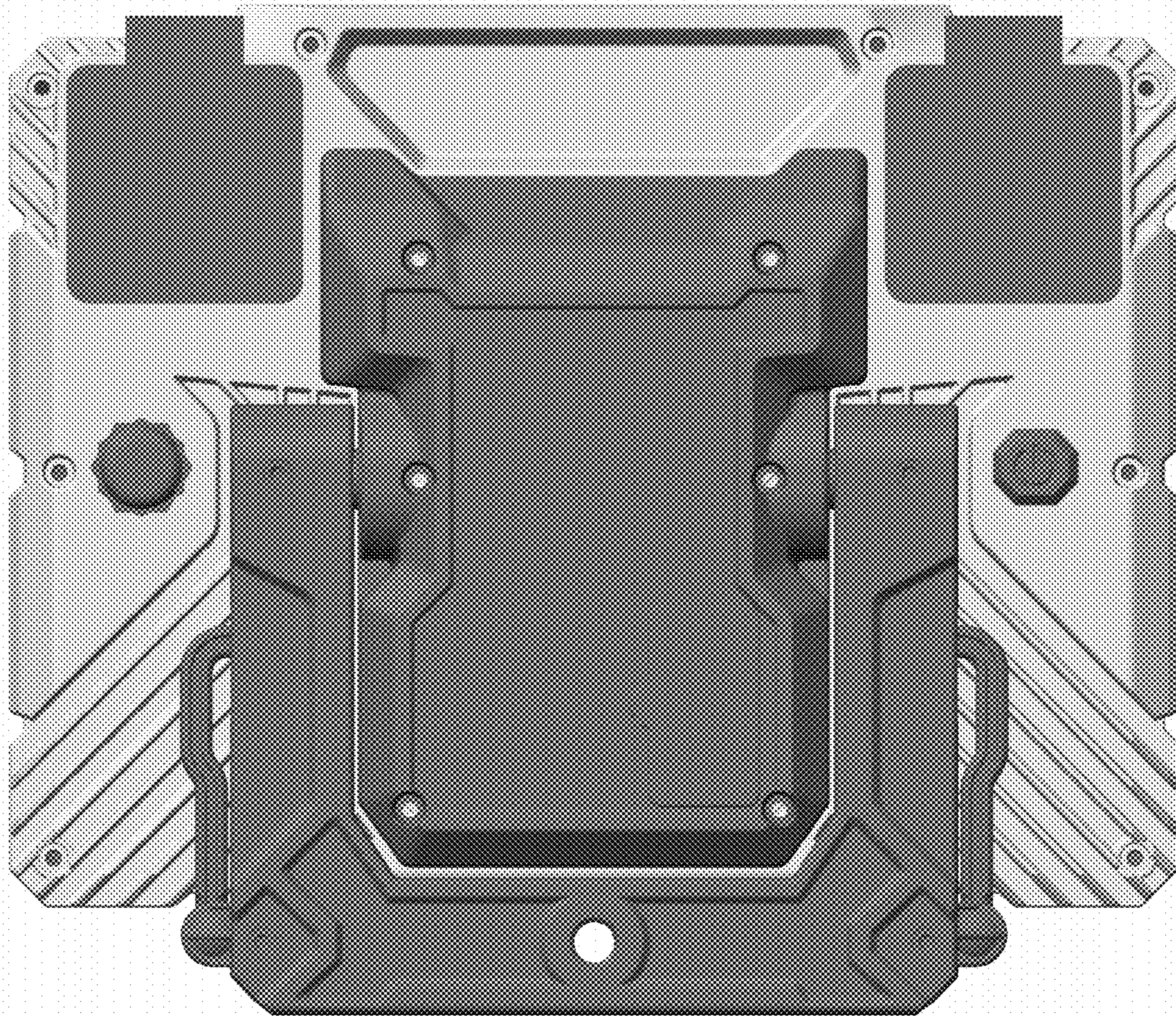


FIG. 3

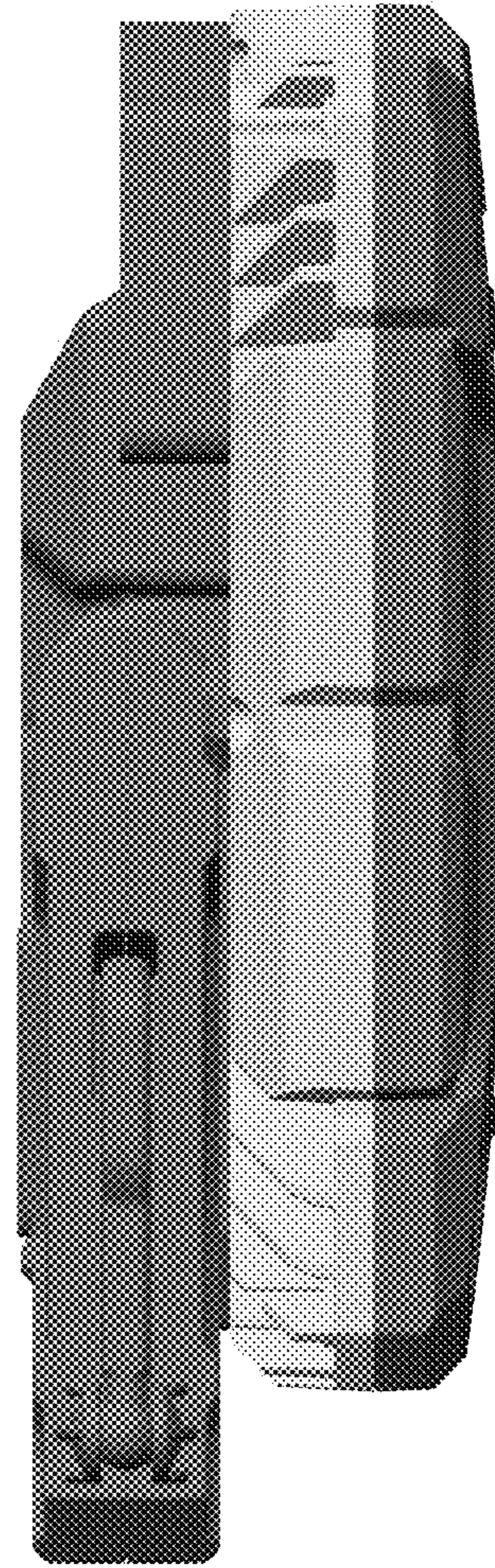


FIG. 4

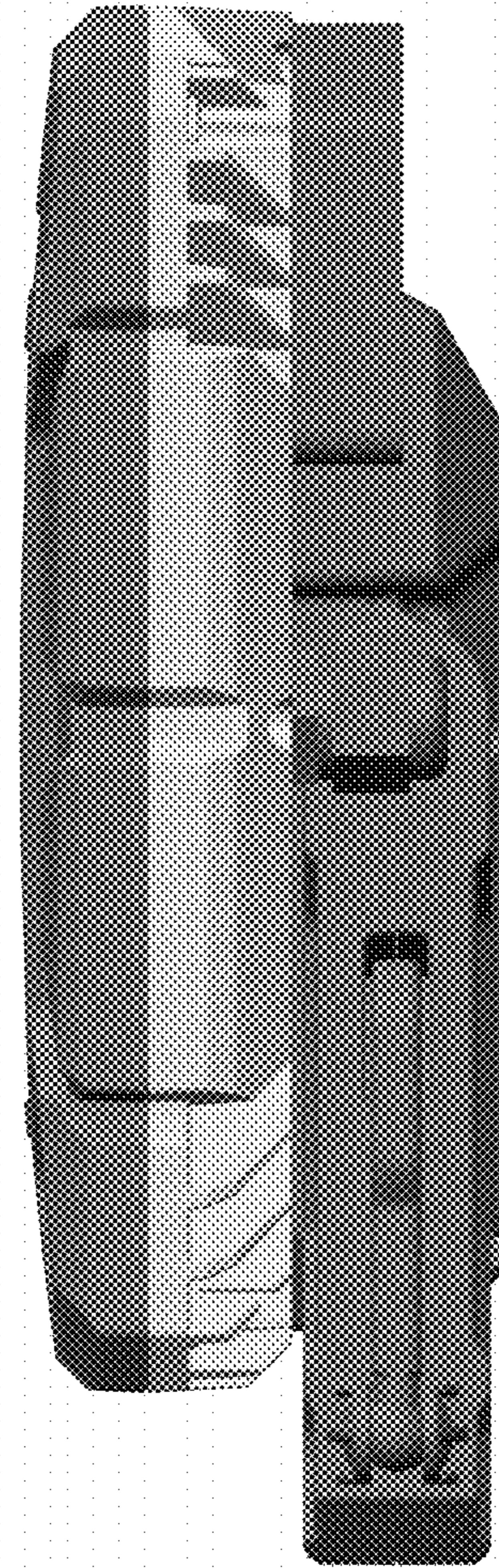


FIG. 5

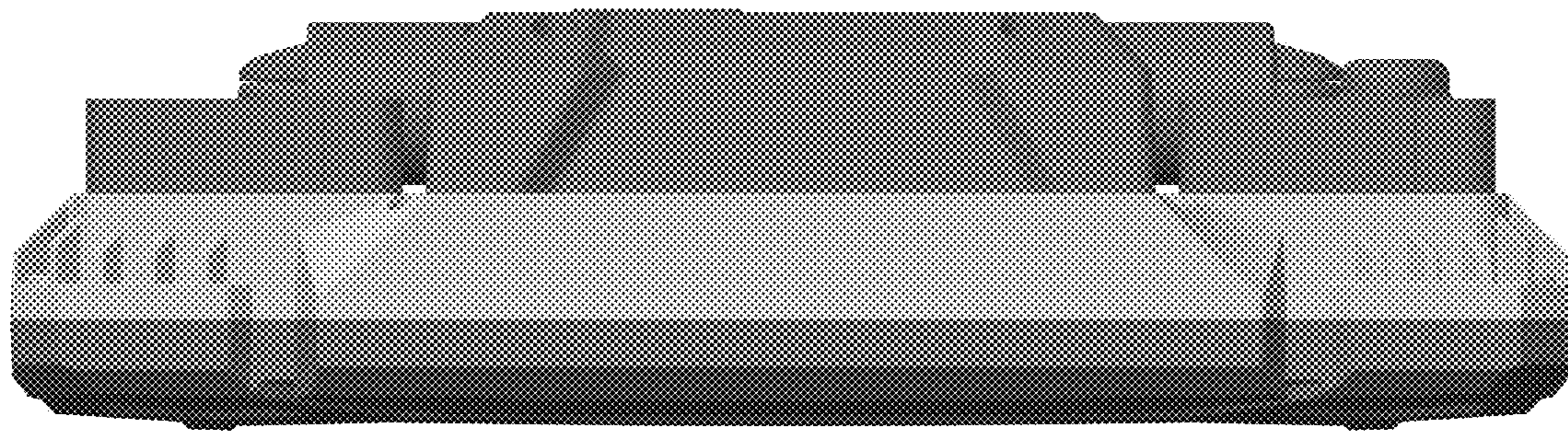


FIG. 6

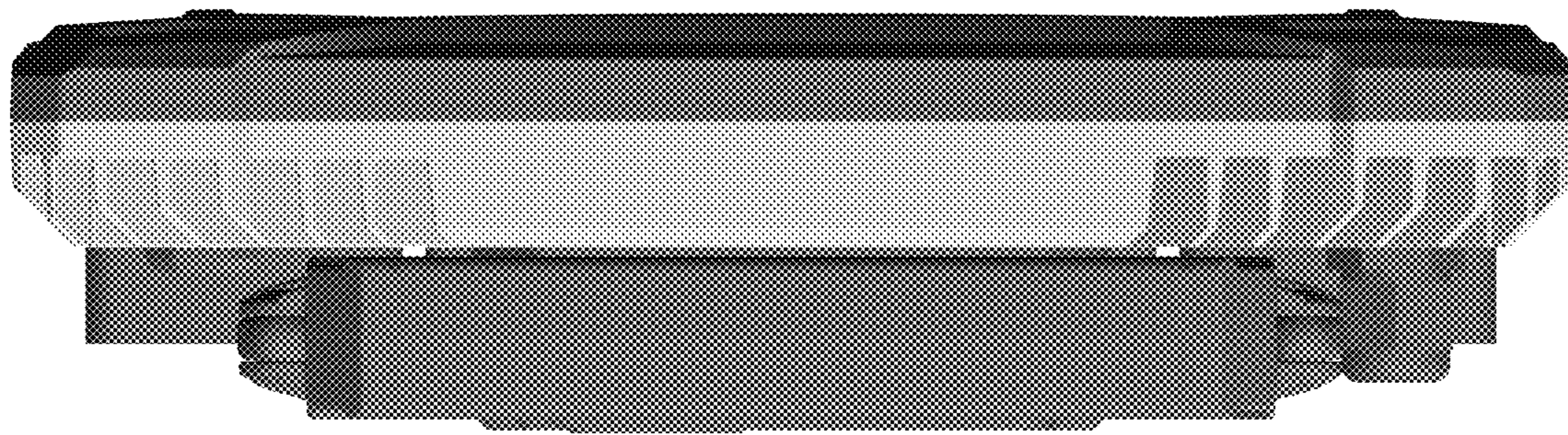


FIG. 7

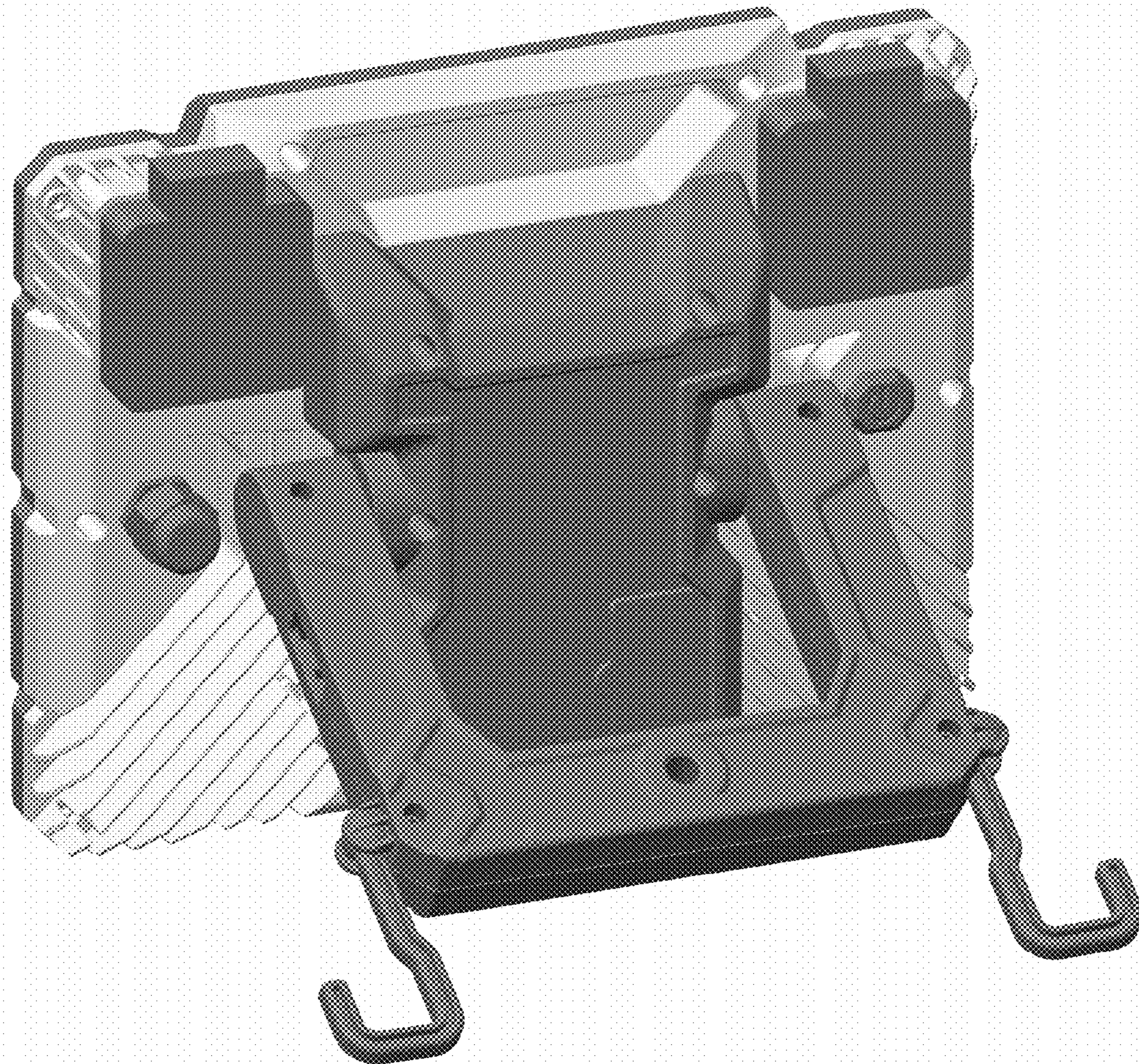


FIG. 8

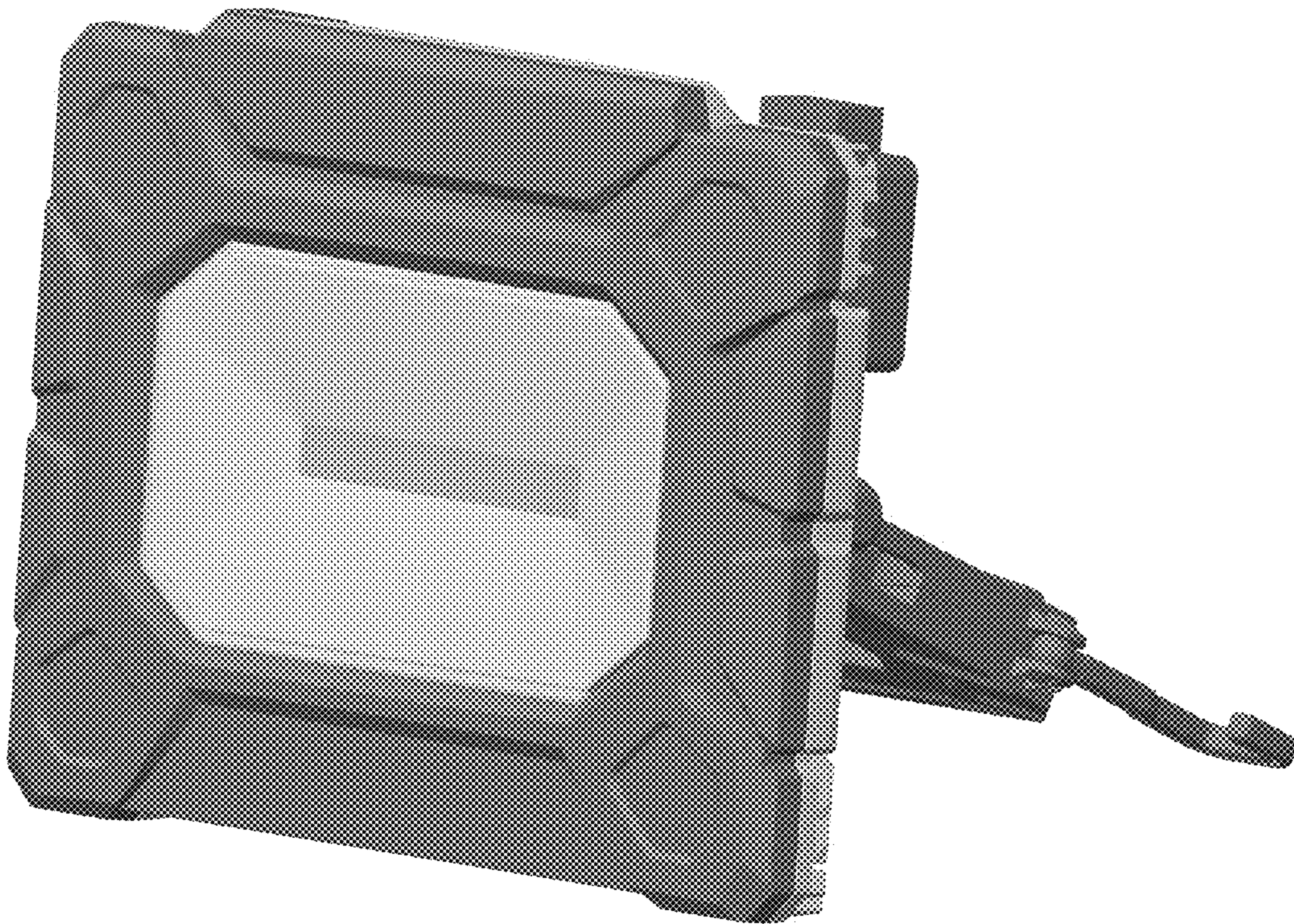


FIG. 9