

US00D899653S

(12) **United States Design Patent** (10) **Patent No.:** **US D899,653 S**
Holmes (45) **Date of Patent:** **** Oct. 20, 2020**

(54) **CEILING FAN LIGHT KIT CAGE**
(71) Applicant: **HUNTER FAN COMPANY,**
Memphis, TN (US)
(72) Inventor: **Christine Holmes,** Memphis, TN (US)
(73) Assignee: **Huner Fan Company,** Memphis, TN
(US)

2,822,750 A 2/1958 Austin et al.
D185,813 S 8/1959 Walker
D190,193 S 4/1961 Cameron
D190,827 S 4/1961 Phillips
D193,631 S 9/1962 Gantenbrink
3,499,558 A 3/1970 Rey
3,996,850 A 12/1976 Whitener
4,271,756 A 6/1981 Bettencourt
(Continued)

(**) Term: **15 Years**
(21) Appl. No.: **29/645,019**
(22) Filed: **Apr. 23, 2018**

Related U.S. Application Data

(60) Continuation of application No. 29/621,480, filed on Oct. 9, 2017, now Pat. No. Des. 821,010, which is a division of application No. 29/557,164, filed on Mar. 7, 2016, now Pat. No. Des. 804,635.
(51) **LOC (12) Cl.** **26-05**
(52) **U.S. Cl.**
USPC **D26/59; D26/149**
(58) **Field of Classification Search**
USPC D23/370-385, 386, 390, 411-414;
D26/59, 85, 86, 89, 90, 119, 129, 138;
D3/306; D11/4; D6/403, 677, 677.2,
D6/677.5, 692.4, 692.5; D7/605, 620,
D7/622, 633; D30/115, 128, 133
CPC F04D 25/088; F04D 29/38; F04D 29/384;
F04D 29/386; F21V 33/0096
See application file for complete search history.

(56) **References Cited**

U.S. PATENT DOCUMENTS

D18,223 S 4/1888 Barr
804,254 A 11/1905 Mygatt
2,139,928 A 12/1938 Blewett
D149,133 S 3/1948 Kisling
D175,239 S * 7/1955 Theisen D23/336

OTHER PUBLICATIONS

<http://www.kichler.com/products/product/54-inch-porters-lake-fan-mdw-310110mdw.aspx>, Item Specification for the Kichler 54 Inch Porters Lake Fan MDW, 310110MDW, accessed Mar. 7, 2016.
(Continued)

Primary Examiner — Cathron C Brooks
Assistant Examiner — Sharon S Oum
(74) *Attorney, Agent, or Firm* — McGarry Bair PC

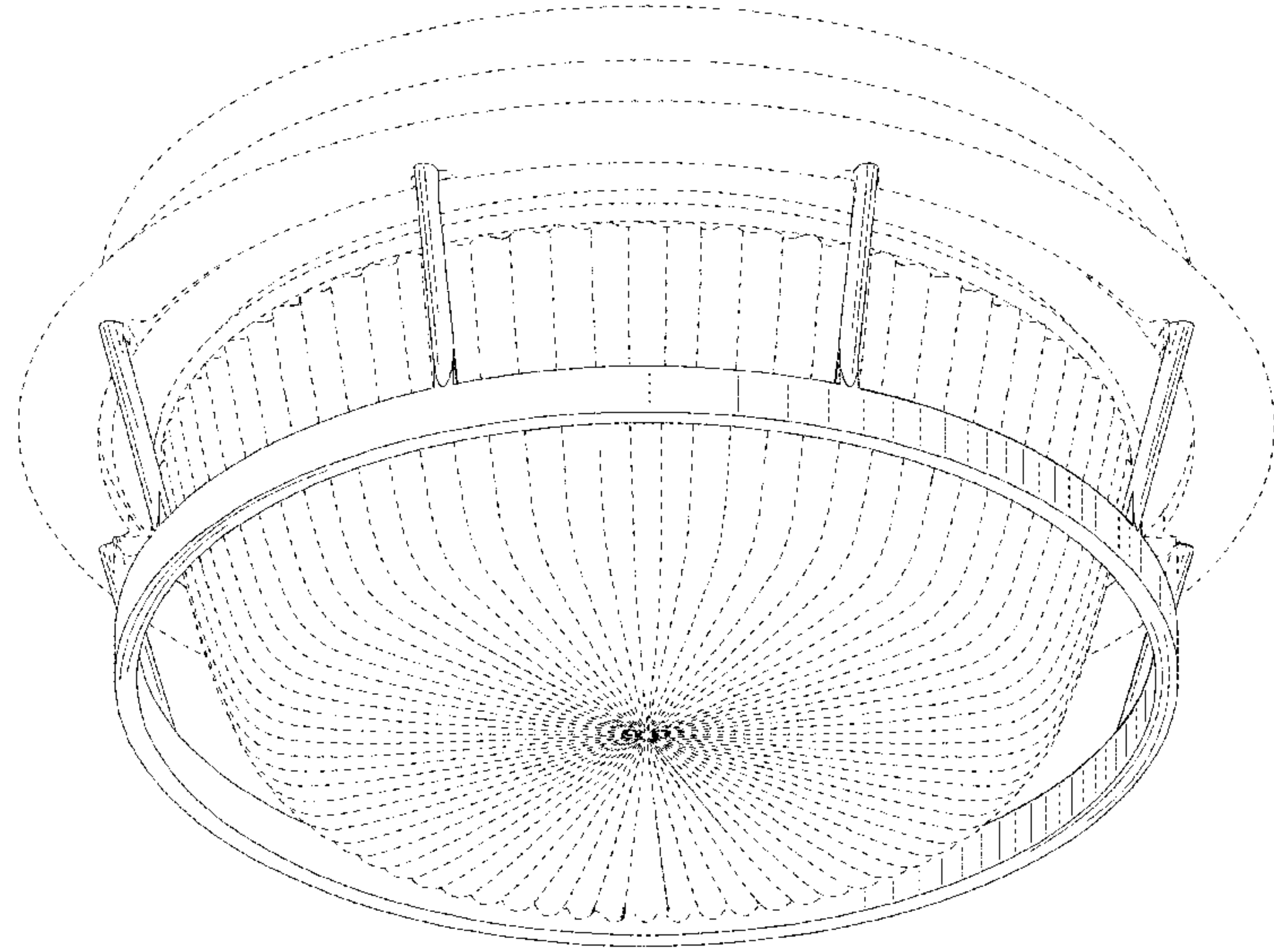
(57) **CLAIM**

The ornamental design for a ceiling fan light kit cage, as shown and described.

DESCRIPTION

FIG. 1 is a bottom perspective view of a ceiling fan light kit cage in the environment of a ceiling fan, showing my new design;
FIG. 2 is a top perspective view of the ceiling fan light kit cage of FIG. 1;
FIG. 3 is a bottom perspective view of the ceiling fan light kit cage of FIG. 1;
FIG. 4 is a bottom view of the ceiling fan light kit cage of FIG. 1; and,
FIG. 5 is a side view of the ceiling fan light kit cage of FIG. 1.
Portions of the ceiling fan light kit cage and the ceiling fan environment shown in broken lines form no part of the claimed design.

1 Claim, 5 Drawing Sheets



(56)

References Cited

U.S. PATENT DOCUMENTS

5,056,428 A 10/1991 Allen
D328,638 S 8/1992 Hsieh
D328,951 S 8/1992 Scofield et al.
D341,419 S 11/1993 Taylor, III
D350,213 S 8/1994 Druffel et al.
5,590,594 A 1/1997 Pederson
D384,770 S 10/1997 Bray
D388,871 S 1/1998 Jack
D393,902 S 4/1998 Pickett
D432,709 S 10/2000 Hsu
D435,289 S 12/2000 Liu
D438,324 S * 2/2001 Pham D26/72
D442,275 S 5/2001 Dolan
D449,396 S * 10/2001 Campbell D26/59
D478,654 S 8/2003 Hidalgo
D483,847 S 12/2003 Tai
D485,002 S 1/2004 Lin
D489,126 S 4/2004 Young
D489,445 S * 5/2004 Burns D23/411
D504,173 S 4/2005 Cohen
D516,200 S 2/2006 Pickett
D517,675 S 3/2006 Young
D520,633 S 5/2006 Tai
D525,696 S 7/2006 Ertze
D525,739 S 7/2006 Wu
D556,887 S * 12/2007 Curtin D23/411
D556,930 S 12/2007 Ertze
D561,325 S 2/2008 Shirahama et al.
D562,972 S 2/2008 Pickett
D575,863 S * 8/2008 Bucher D23/411
D583,040 S 12/2008 Hidalgo
D585,585 S 1/2009 Hidalgo
D598,998 S * 8/2009 Flores D23/377
D599,474 S 9/2009 Klausning et al.
D614,794 S 4/2010 Sabernig
D615,184 S 5/2010 Searle
D619,238 S 7/2010 Hidalgo
D620,101 S 7/2010 Frampton et al.
D627,873 S 11/2010 Pan
D627,912 S 11/2010 Mo
D632,412 S * 2/2011 Pan D26/59
D633,194 S 2/2011 Frampton
D640,407 S * 6/2011 Chen D26/67
D660,952 S 5/2012 Spaggiari
D667,161 S * 9/2012 Chen D26/87
D671,633 S 11/2012 Glasbrenner
D675,371 S * 1/2013 Nowak D26/128
D686,771 S * 7/2013 Lastimoso D26/88
D700,984 S 3/2014 Yang
D704,819 S 5/2014 Wang
D704,822 S 5/2014 Wang
D705,922 S 5/2014 Wang
D707,336 S 6/2014 Pan
D717,935 S 11/2014 Strecker et al.
D732,157 S 6/2015 Lin et al.
D760,368 S 6/2016 Chen
D771,235 S 11/2016 Hoff et al.
D789,507 S 6/2017 Badarello et al.
D799,020 S * 10/2017 Guthrie D23/377
D804,635 S 12/2017 Holmes
D805,182 S 12/2017 Pickett
D805,625 S * 12/2017 Hagggar D23/377
D806,852 S 1/2018 Holmes
D808,002 S * 1/2018 Holmes D23/377
D814,011 S * 3/2018 McRoberts D23/377
D820,431 S * 6/2018 Ertze D23/411
D821,010 S * 6/2018 Holmes D26/59
D825,086 S * 8/2018 Holmes D26/59
D825,812 S * 8/2018 Wright D26/81

D834,172 S * 11/2018 Guthrie D23/411
D840,077 S * 2/2019 Holmes D26/59
D850,611 S * 6/2019 Hidalgo D23/411
2014/0056739 A1 * 2/2014 Wang F04D 25/0606
417/423.7
2016/0111816 A1 4/2016 Walker et al.

OTHER PUBLICATIONS

<http://www.homedepot.com/p/Hampton-Bay-Sussex-II-52-in-Brushed-Nickel-Ceiling-Fan-AL694-BN/203244867>, Item Specification for the Sussex II 52 in. Brushed Nickel Ceiling Fan, AL695-BN, accessed Mar. 7, 2016.
<http://www.hunterfan.com/Ceiling-Fans/Key-Biscayne?ModelNumber=59135>, Item Specification for the Key Biscayne—54" Ceiling Fan, 59135, accessed Mar. 7, 2016.
<http://www.homedepot.com/p/Hunter-Westcott-52-in-New-Bronze-Ceiling-Fan-21095/202052344>, Item Specification for the Hunter Fan Westcott 52 in. New Bronze Ceilign Fan, 21095, accessed Mar. 7, 2016.
<http://www.quorumlightinglights.com/product/quorum-alta-indoor-ceiling-fans-58524-86.html>, Item Specification for the Quorum International Alta 1 Light Ceiling Fan in Oiled Bronze with Walnut Blades, 58524-86, accessed Mar. 7, 2016.
<http://www.minkagroup.net/all-collections?keys=como>, Item Specification for the Como F603-ORB 54" ceiling fan, F603-ORB, accessed Mar. 7, 2016.
<http://www.fanimation.com/products/index.php/fans/xeno.html>, Item Specification for the Xeno, FP6728, accessed Mar. 7, 2016.
<http://www.craftmade.com/Craftmade-HE52SS5-Stainless-Steel-Ceiling-Fan.HTM>, Craftmade—HE52SS5—Helios 52" Ceiling Fan Blades Included in Stainless Steel, HE52SS5, accessed Mar. 7, 2016.
<http://www.homedepot.com/p/Hampton-Bay-Northport-52-in-Brushed-Nickel-Ceiling-Fan-14926/202790687>, Hampton Bay Northport 52 in. Brushed Nickel Ceiling Fan, 14926, accessed Mar. 7, 2016.
<http://www.kingoffans.com/#/products/ceilingFans>, Argenta 52" ceiling fan, 61615, accessed Mar. 7, 2016.
http://ceilingfans.emerson.com/shop/en/fan/highrise-fan-p-cf430?cm_vc=&testElementId=&experimentId=, Highrise ceiling fan, CF430ORB, accessed Mar. 7, 2016.
<http://www.minkagroup.net/all-collections?keys=F695-CC+>, Kafe 52" ceiling fan, F695-CC, accessed Mar. 7, 2016.
<http://www.casablancafanco.com/Ceiling-Fans/Tribeca?ModelNumber=59499>, Tribeca 52" Ceiling Fan, 59499, accessed Mar. 7, 2016.
<http://www.homedepot.com/p/GE-Treviso-52-in-Oil-Rubbed-Bronze-Indoor-LED-Ceiling-Fan-20321/206087472>, Treviso 52 in. Oil Rubbed Bronze Indoor LED Ceiling Fan, 20321, accessed Mar. 7, 2016.
<http://www.kichler.com/products/product/60-terra-select-ceiling-fan-bap-330250bap.aspx>, Terra Select Collection 60" Terra Select Ceiling Fan BAP, 330250BAP, accessed Mar. 7, 2016.
<http://www.kingoffans.com/#/products/ceilingFans>, North ceiling fan, 51546, accessed Mar. 7, 2016.
<http://www.craftmade.com/Craftmade-MOR54ESP3-Espresso-Ceiling-Fan.HTM>, Craftmade—MOR54ESP3—Moorestad 54" Ceiling Fan Blades Included in Espresso with Matte Opal Glass, MOR54ESP3, accessed Mar. 7, 2016.
<http://ceilingfans.emerson.com/shop/en/fan/fans-s-emerson-fans/emerson-fans-browse-all/amhurst-fan-p-cf880>, Amhurst, CF880BS, accessed Mar. 7, 2016.
<http://www.kingoffans.com/#/products/ceilingFans>, Riverwalk ceiling fan, 43247, accessed Mar. 7, 2016.
Savoy House, date first available Jan. 23, 2016, amazon.com, site visited Jul. 14, 2017, Copyright 1996-2017, Available from Internet, https://www.amazon.com/Savoy-House-56-Ceiling-180-5CN-109/dp/B01AYQ09YC/ref=sr_1_1?e=UTF8&qid=1500053000&sr=8-1&keywords=savory+house+phoebe.

* cited by examiner

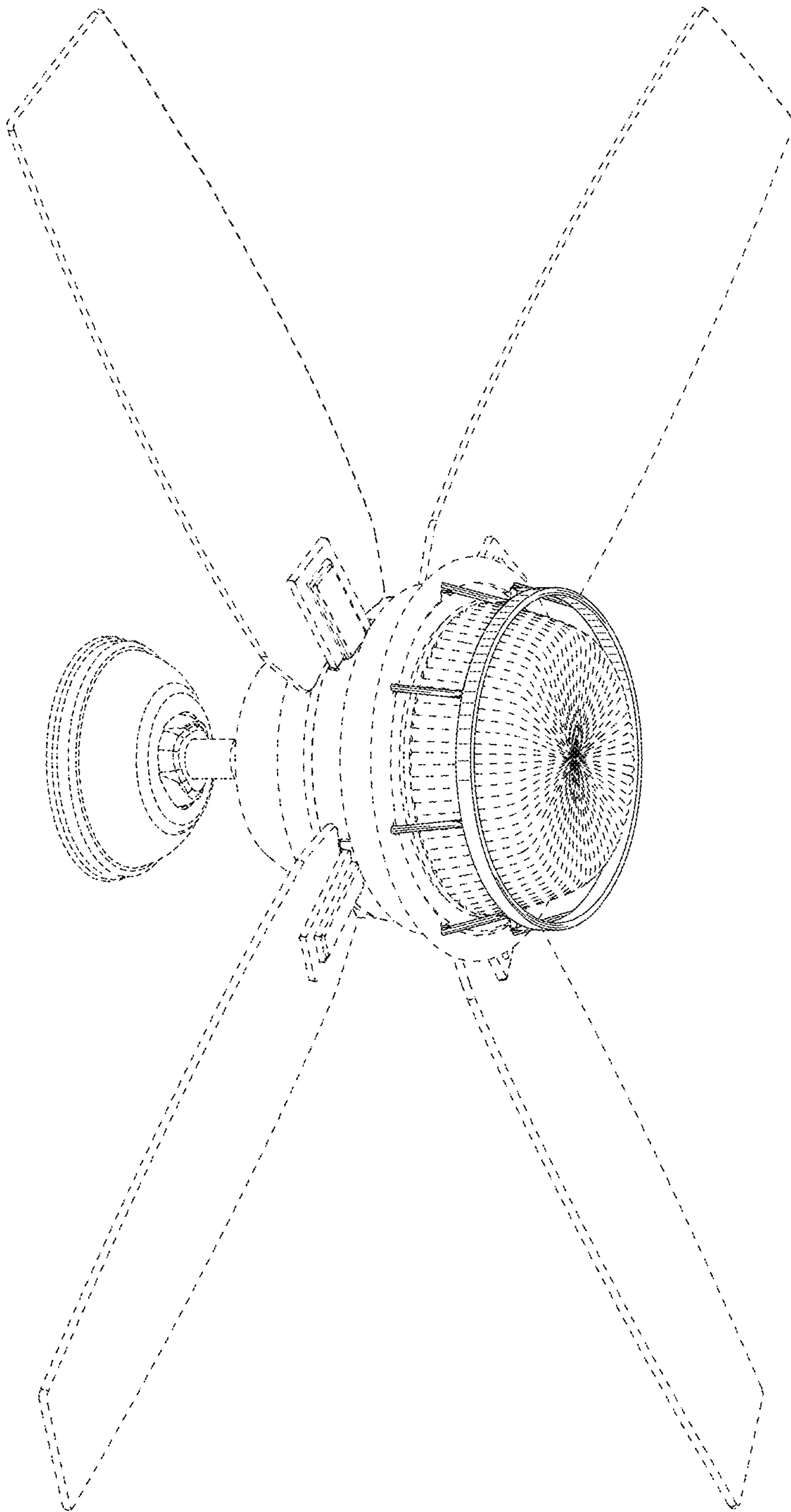


FIG. 1

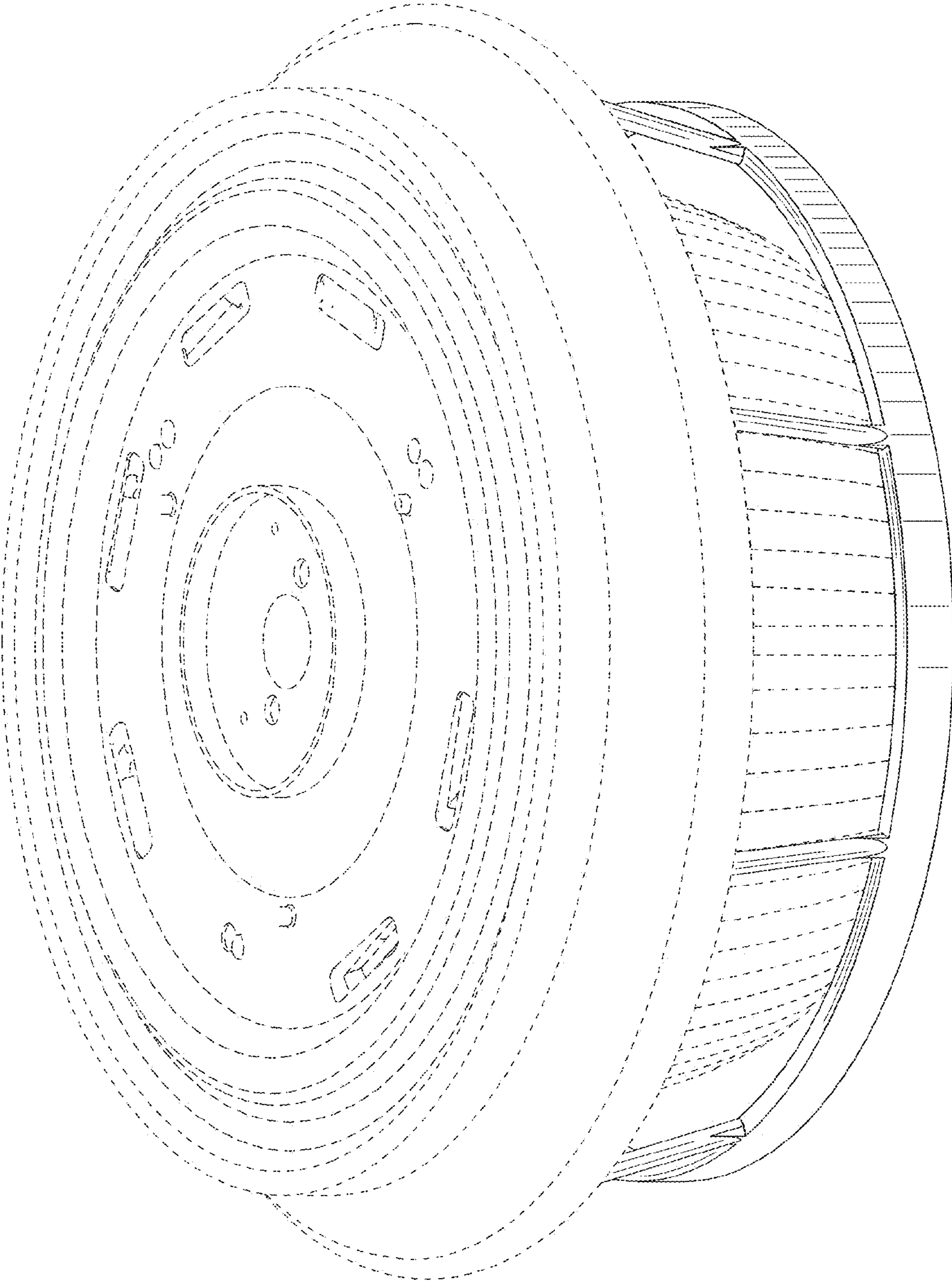


FIG. 2

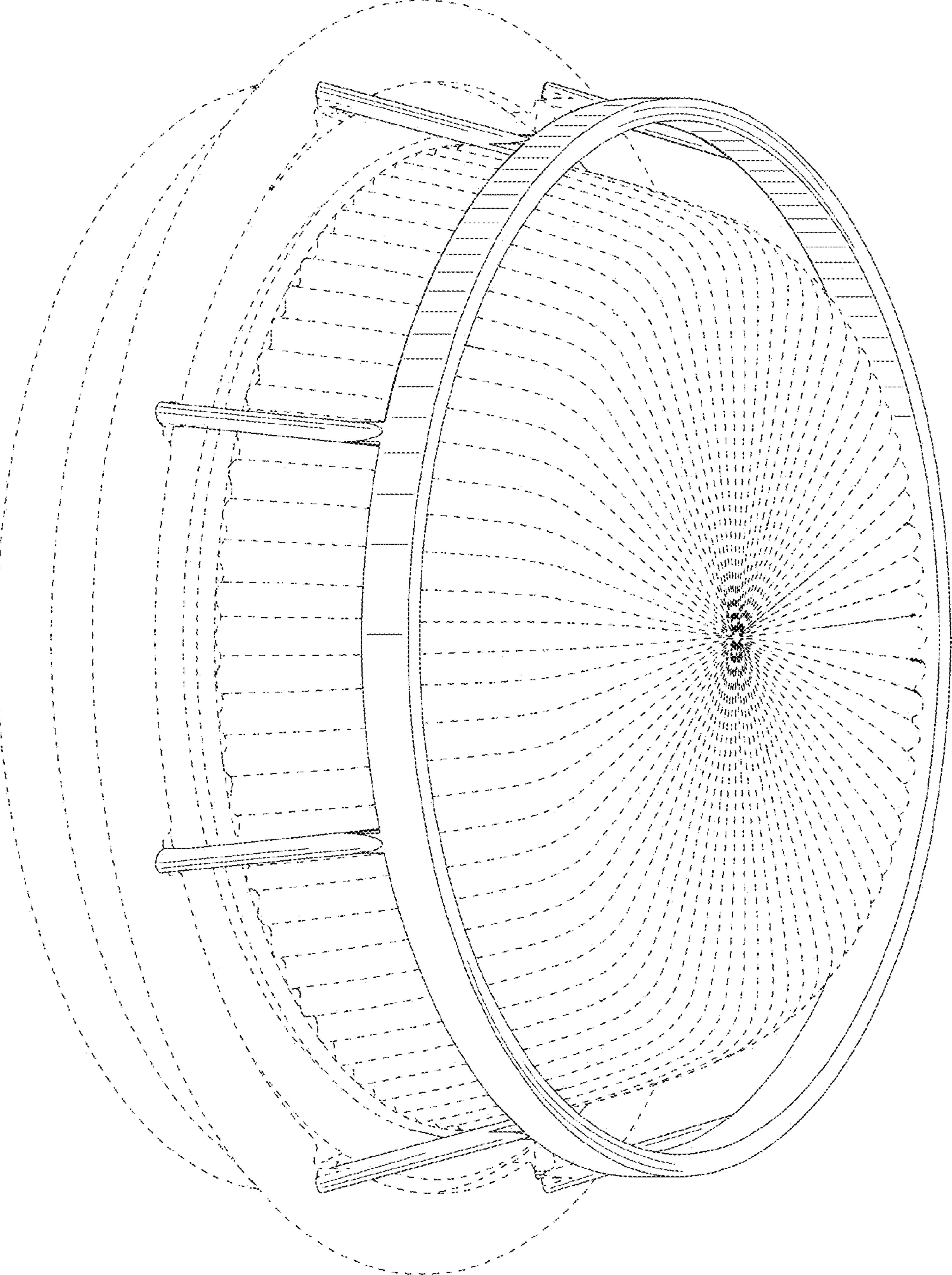


FIG. 3

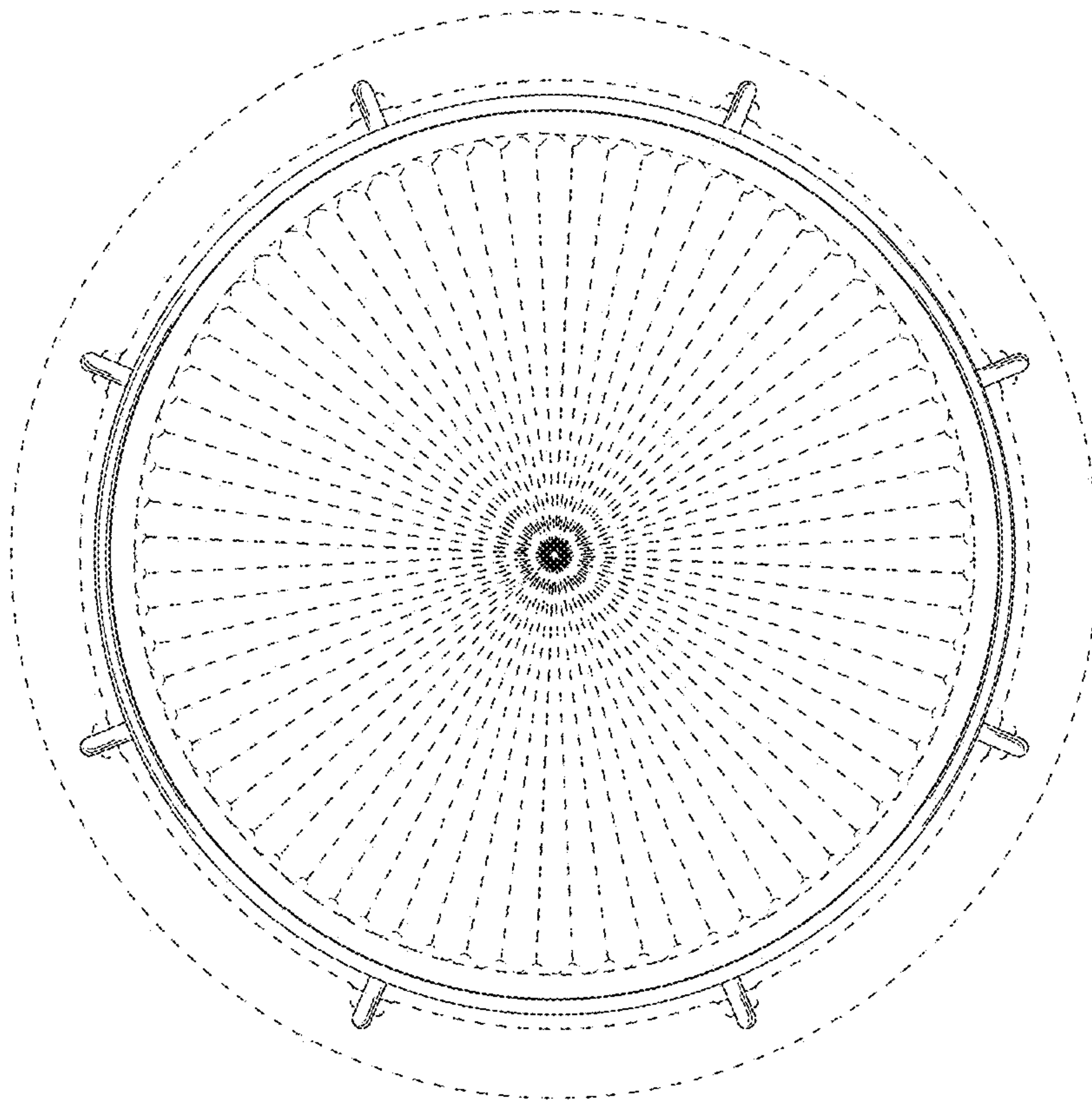


FIG. 4

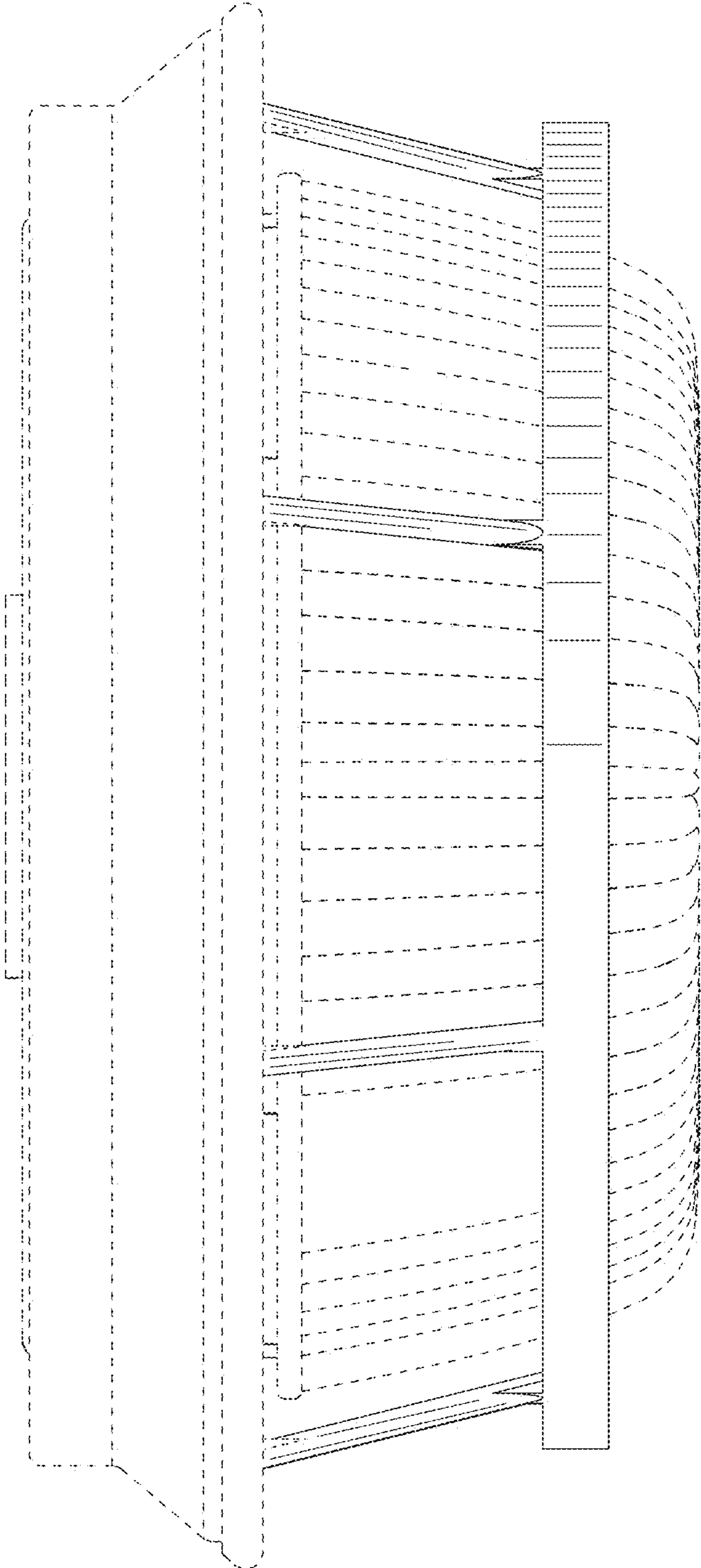


FIG. 5