



US00D899650S

(12) **United States Design Patent** (10) **Patent No.:** **US D899,650 S**  
**Harvey et al.** (45) **Date of Patent:** **\*\* Oct. 20, 2020**

(54) **LIGHT**

FOREIGN PATENT DOCUMENTS

(71) Applicant: **MILWAUKEE ELECTRIC TOOL CORPORATION**, Brookfield, WI (US)

CN 303851715 \* 9/2016  
EM 003451293-0003 \* 4/2018

(Continued)

(72) Inventors: **Kyle Harvey**, Wauwatosa, WI (US);  
**Jason D. Thurner**, Menomonee Falls, WI (US); **David Proeber**, Milwaukee, WI (US); **Justin D. Dorman**, Wauwatosa, WI (US); **Tin Pak Lee**, Kwai Chung (HK); **Jonathan M. Mantes**, Franklin, WI (US)

OTHER PUBLICATIONS

M18 Utility Bucket Light, Milwaukee Tool, milwaukeetool.com, author and date not listed © 2019 Milwaukee Tool, online, site visited Dec. 30, 2019. Available from Internet, URL: <https://www.milwaukeetool.com/Products/Lighting/Specialty-Lights/2122-22HD> (Year: 2019).\*

(Continued)

(73) Assignee: **Milwaukee Electric Tool Corporation**, Brookfield, WI (US)

*Primary Examiner* — Marissa J Cash

*Assistant Examiner* — Altaira J Swangin

(\*\*) Term: **15 Years**

(74) *Attorney, Agent, or Firm* — Michael Best & Friedrich LLP

(21) Appl. No.: **29/641,419**

(22) Filed: **Mar. 22, 2018**

(57) **CLAIM**

We claim the ornamental design for a light, as shown and described.

**Related U.S. Application Data**

**DESCRIPTION**

(62) Division of application No. 29/564,811, filed on May 16, 2016, now Pat. No. Des. 816,252.

(51) **LOC (12) Cl.** ..... **26-02**

(52) **U.S. Cl.**  
USPC ..... **D26/50**

(58) **Field of Classification Search**  
USPC .... D26/1-2, 4-6, 22, 36-38, 40-41, 44, 46, D26/48-51, 67, 71, 74, 91, 96, 122-124,  
(Continued)

FIG. 1 is a perspective view of a light embodying the invention;  
FIG. 2 is a front view of the light of FIG. 1;  
FIG. 3 is a rear view of the light of FIG. 1;  
FIG. 4 is a left side view of the light of FIG. 1;  
FIG. 5 is a right side view of the light of FIG. 1;  
FIG. 6 is a top view of the light of FIG. 1; and,  
FIG. 7 is a bottom view of the light of FIG. 1.

(56) **References Cited**

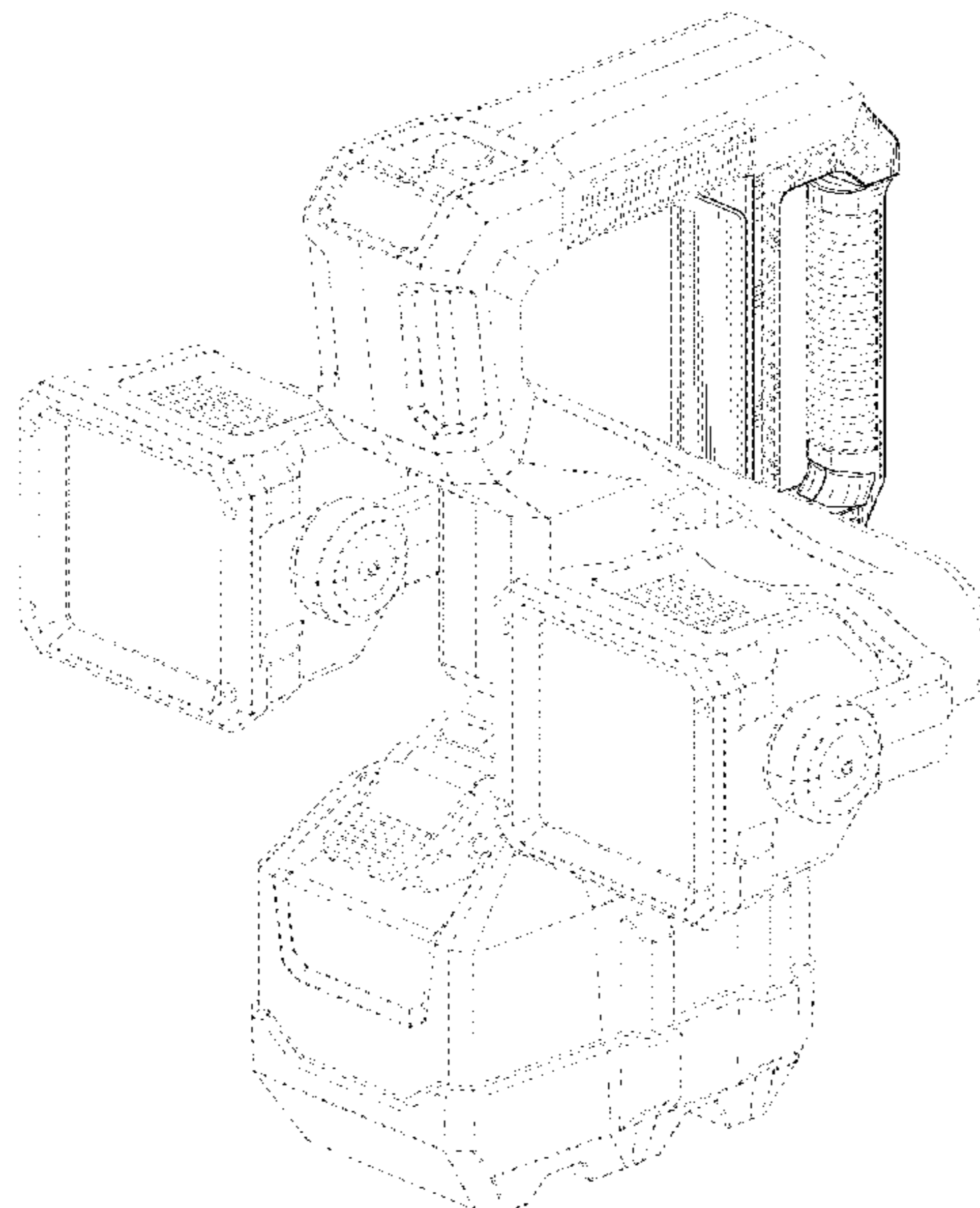
In the drawings, the claimed design is defined by the shaded surfaces; the dash dot dash broken lines immediately adjacent shaded surfaces represent boundaries of the claim and form no part thereof; all other evenly spaced broken lines depict portions of the light that form no part of the claim.

U.S. PATENT DOCUMENTS

3,331,958 A 7/1967 Adler  
3,973,179 A \* 8/1976 Weber ..... B25F 3/00  
320/113

(Continued)

**1 Claim, 7 Drawing Sheets**



(58) **Field of Classification Search**  
 USPC ..... D26/130, 148–149; 320/110; D13/180;  
 362/18, 33, 184, 301, 612, 555; D6/332,  
 D6/641, 643, 714; D8/80–83, 87, 94,  
 D8/107, 300, 303, 359, 68–69, 395  
 CPC ..... F21L 19/00; F21L 4/00; F21L 4/08; F21L  
 4/027; F21Y 2115/10; F21Y 2103/20;  
 F21Y 2105/18; F21Y 2107/30; A47B  
 83/001; A47B 87/00; F21V 23/0414;  
 F21V 21/30; F21V 21/145  
 See application file for complete search history.

(56) **References Cited**

U.S. PATENT DOCUMENTS

4,032,771 A 6/1977 Ilzig  
 4,228,489 A 10/1980 Martin  
 4,268,894 A 5/1981 Bartunek et al.  
 4,324,477 A 4/1982 Miyazaki  
 5,019,951 A 5/1991 Osterhout et al.  
 5,203,621 A 4/1993 Weinmeister et al.  
 5,207,747 A 5/1993 Gordin et al.  
 5,351,172 A 9/1994 Attree et al.  
 5,400,234 A 3/1995 Yu  
 5,428,520 A 6/1995 Skief  
 D376,535 S \* 12/1996 Gary ..... D26/138  
 5,630,660 A 5/1997 Chen  
 5,934,628 A 8/1999 Bosnakovic  
 5,944,407 A 8/1999 Lynch et al.  
 5,964,524 A 10/1999 Qian  
 D422,203 S \* 4/2000 Gary ..... D8/367  
 6,045,240 A 4/2000 Hochstein  
 D424,418 S \* 5/2000 Gary ..... D26/138  
 D428,176 S 7/2000 Bamber et al.  
 6,092,911 A 7/2000 Baker, III et al.  
 6,099,142 A 8/2000 Liu  
 6,149,283 A 11/2000 Conway et al.  
 6,183,114 B1 2/2001 Cook et al.  
 6,213,626 B1 4/2001 Qian  
 6,255,786 B1 7/2001 Yen  
 6,265,969 B1 7/2001 Shih  
 D452,022 S 12/2001 Osiecki et al.  
 6,367,949 B1 4/2002 Pederson  
 6,379,023 B1 4/2002 Passno  
 6,394,631 B1 5/2002 Yuen  
 6,461,017 B2 10/2002 Selkee  
 6,474,844 B1 11/2002 Ching  
 6,554,459 B2 4/2003 Yu et al.  
 6,637,904 B2 10/2003 Hernandez  
 D494,849 S \* 8/2004 Jones ..... D8/395  
 6,824,297 B1 11/2004 Lee  
 6,854,862 B1 2/2005 Hopf  
 6,857,756 B2 2/2005 Reiff et al.  
 6,873,249 B2 3/2005 Chu  
 6,877,881 B2 4/2005 Tsao  
 6,899,441 B2 5/2005 Chen  
 D506,847 S 6/2005 Hussaini et al.  
 6,902,294 B2 6/2005 Wright  
 6,926,428 B1 8/2005 Lee  
 6,953,260 B1 10/2005 Allen  
 7,001,044 B2 2/2006 Leen  
 7,001,047 B2 2/2006 Holder et al.  
 7,011,280 B2 3/2006 Murray et al.  
 7,063,444 B2 6/2006 Lee et al.  
 7,073,926 B1 7/2006 Kremers et al.  
 D529,360 S \* 10/2006 Wimmer ..... D8/80  
 D529,926 S 10/2006 Krieger et al.  
 D532,536 S 11/2006 Krieger et al.  
 7,152,997 B1 12/2006 Kovacic et al.  
 7,153,004 B2 12/2006 Galli  
 D537,330 S \* 2/2007 Cox ..... D8/395  
 D538,636 S \* 3/2007 Jackson ..... D8/395  
 7,194,358 B2 3/2007 Callaghan et al.  
 7,195,377 B2 3/2007 Tsai  
 7,224,271 B2 5/2007 Wang  
 D549,859 S 8/2007 Kovacic et al.

D551,048 S \* 9/2007 Huang ..... D8/96  
 D551,532 S \* 9/2007 Huang ..... D8/96  
 D553,281 S 10/2007 Rugendyke et al.  
 D553,461 S \* 10/2007 Neiser ..... D8/57  
 D553,771 S 10/2007 Watson et al.  
 7,278,761 B2 10/2007 Kuan  
 D556,353 S 11/2007 Gebhard et al.  
 7,350,940 B2 4/2008 Haugaared et al.  
 7,364,320 B2 4/2008 Van Deursen et al.  
 7,367,695 B2 5/2008 Shiau  
 7,470,036 B2 12/2008 Deighton et al.  
 7,484,858 B2 2/2009 Deighton  
 7,503,530 B1 3/2009 Brown  
 D593,236 S 5/2009 Ng et al.  
 D595,105 S \* 6/2009 White ..... D8/105  
 7,566,151 B2 7/2009 Whelan et al.  
 7,618,154 B2 11/2009 Rosiello  
 7,638,970 B1 12/2009 Gebhard et al.  
 7,670,034 B2 3/2010 Zhang et al.  
 7,798,684 B2 9/2010 Boissevain  
 7,828,465 B2 11/2010 Roberge et al.  
 7,857,486 B2 12/2010 Long et al.  
 7,914,178 B2 3/2011 Xiang et al.  
 7,914,182 B2 3/2011 Mrakovich et al.  
 7,972,036 B1 7/2011 Schach et al.  
 D643,138 S 8/2011 Kawase et al.  
 7,988,335 B2 8/2011 Liu et al.  
 7,990,062 B2 8/2011 Liu  
 7,997,753 B2 8/2011 Walesa  
 8,007,128 B2 8/2011 Wu et al.  
 8,007,145 B2 8/2011 Leen  
 8,029,169 B2 10/2011 Liu  
 8,047,481 B2 11/2011 Shen  
 8,087,797 B2 1/2012 Pelletier et al.  
 8,142,045 B2 3/2012 Peak  
 8,167,466 B2 5/2012 Liu  
 8,201,979 B2 6/2012 Deighton et al.  
 D665,521 S 8/2012 Werner et al.  
 8,235,552 B1 8/2012 Tsuge  
 8,262,246 B2 9/2012 Pelletier et al.  
 8,262,248 B2 9/2012 Wessel  
 8,294,340 B2 10/2012 Yu et al.  
 8,322,892 B2 12/2012 Scordino et al.  
 8,328,398 B2 12/2012 Van Deursen  
 8,330,337 B2 12/2012 Yu et al.  
 8,360,607 B2 1/2013 Bretschneider et al.  
 8,366,290 B2 2/2013 Maglica  
 8,403,522 B2 3/2013 Chang  
 D679,845 S 4/2013 Huang  
 8,425,091 B2 4/2013 Chen  
 8,439,531 B2 5/2013 Trott et al.  
 8,465,178 B2 6/2013 Wilcox et al.  
 8,485,691 B2 7/2013 Hamel et al.  
 8,547,022 B2 10/2013 Summerford et al.  
 D695,434 S 12/2013 Shen  
 8,599,097 B2 12/2013 Intravatola  
 D698,471 S 1/2014 Poon  
 D699,874 S 2/2014 Chilton et al.  
 8,651,438 B2 2/2014 Deighton et al.  
 8,659,433 B2 2/2014 Petrou  
 8,668,349 B2 3/2014 Richardson  
 D702,863 S 4/2014 Kotsis  
 D703,354 S 4/2014 Kotsis  
 D703,355 S 4/2014 Kotsis  
 D703,851 S 4/2014 Gebhard et al.  
 8,692,444 B2 4/2014 Patel et al.  
 8,696,177 B1 4/2014 Frost  
 D705,467 S 5/2014 Aglassinger  
 8,757,815 B2 6/2014 Saruwatari et al.  
 D708,376 S 7/2014 Crowe et al.  
 8,801,226 B2 8/2014 Moore  
 8,840,264 B2 9/2014 Molina et al.  
 8,851,699 B2 10/2014 McMillan  
 8,858,016 B2 10/2014 Strelchuk  
 8,858,026 B2 10/2014 Lee et al.  
 8,939,602 B2 1/2015 Wessel  
 8,979,331 B2 3/2015 Lee et al.  
 D726,354 S 4/2015 Davies  
 9,010,279 B1 4/2015 Saber et al.

(56)

References Cited

U.S. PATENT DOCUMENTS

D728,402 S 5/2015 Case  
 9,068,736 B2 6/2015 Lee et al.  
 D734,886 S 7/2015 Lazalier et al.  
 D737,487 S 8/2015 Beckett et al.  
 D744,139 S 11/2015 Itoh et al.  
 9,188,320 B2 11/2015 Russello et al.  
 9,205,774 B2 12/2015 Kennemer et al.  
 D747,263 S 1/2016 Lafferty  
 D750,822 S 3/2016 Hernandez et al.  
 D755,034 S \* 5/2016 DeBaker ..... D8/97  
 D759,291 S 6/2016 Chen  
 D772,670 S \* 11/2016 Barezzani ..... D8/68  
 D774,231 S 12/2016 Recker et al.  
 D774,674 S 12/2016 Hanwell  
 D776,320 S 1/2017 Bobel  
 9,539,952 B2 1/2017 Gebhard et al.  
 D779,694 S \* 2/2017 Crowe ..... D26/50  
 9,579,735 B2 \* 2/2017 Wattenbach ..... F16J 15/3232  
 D781,480 S \* 3/2017 Zhan ..... D26/63  
 D781,718 S 3/2017 Ko  
 9,596,776 B2 3/2017 Takahashi et al.  
 D788,180 S 5/2017 Mantes et al.  
 D804,074 S 11/2017 Fang  
 D805,365 S \* 12/2017 Ballard ..... D8/69  
 D816,252 S \* 4/2018 Harvey ..... D26/50  
 D823,088 S \* 7/2018 Lefavour ..... D8/68  
 D824,246 S \* 7/2018 Ming ..... D8/382  
 10,323,831 B2 6/2019 Harvey et al.  
 10,571,102 B1 \* 2/2020 Bao ..... F21V 23/002  
 D877,948 S \* 3/2020 Thompson ..... D26/37  
 D881,431 S \* 4/2020 Burczyk ..... D26/37  
 2002/0136005 A1 9/2002 Lee  
 2002/0167814 A1 11/2002 Ching  
 2003/0090904 A1 5/2003 Ching  
 2003/0137847 A1 7/2003 Cooper  
 2003/0174503 A1 9/2003 Yueh  
 2004/0228117 A1 11/2004 Witzel et al.  
 2005/0201085 A1 9/2005 Aikawa et al.  
 2006/0007682 A1 1/2006 Reiff, Jr. et al.  
 2006/0067077 A1 3/2006 Kumthampinij et al.  
 2006/0146550 A1 7/2006 Simpson et al.  
 2006/0279948 A1 12/2006 Tsai  
 2006/0285323 A1 12/2006 Fowler  
 2007/0211470 A1 9/2007 Huang  
 2007/0297167 A1 12/2007 Greenhoe  
 2008/0112170 A1 5/2008 Trott et al.  
 2008/0158887 A1 7/2008 Zhu et al.  
 2008/0165537 A1 7/2008 Shiau  
 2008/0198588 A1 8/2008 O'Hern  
 2008/0253125 A1 10/2008 Kang et al.  
 2008/0302933 A1 12/2008 Cardellini  
 2009/0080205 A1 3/2009 Chang et al.  
 2009/0097263 A1 4/2009 Ko et al.  
 2009/0116230 A1 5/2009 Young  
 2009/0134191 A1 5/2009 Phillips  
 2009/0135594 A1 5/2009 Yu et al.  
 2009/0284963 A1 11/2009 Intravatora  
 2009/0303717 A1 12/2009 Long et al.  
 2010/0027260 A1 2/2010 Liu  
 2010/0027269 A1 2/2010 Lo et al.  
 2010/0072897 A1 3/2010 Zheng  
 2010/0080005 A1 4/2010 Gattari  
 2010/0091495 A1 4/2010 Patrick  
 2010/0132203 A1 \* 6/2010 Green ..... B23D 49/12  
 30/513  
 2010/0142213 A1 6/2010 Bigge et al.  
 2010/0315824 A1 12/2010 Chen  
 2010/0328951 A1 12/2010 Boissevain  
 2011/0031887 A1 2/2011 Stoll et al.  
 2011/0038144 A1 2/2011 Chang  
 2011/0050070 A1 3/2011 Pickard  
 2011/0058367 A1 3/2011 Shiau et al.  
 2011/0075404 A1 3/2011 Allen et al.

2011/0121727 A1 5/2011 Sharrah et al.  
 2011/0228524 A1 9/2011 Greer  
 2011/0286216 A1 11/2011 Araman  
 2011/0317420 A1 12/2011 Jeon et al.  
 2012/0026729 A1 2/2012 Sanchez et al.  
 2012/0033400 A1 2/2012 Remus et al.  
 2012/0033429 A1 2/2012 Van De Ven  
 2012/0044707 A1 2/2012 Breidenassel  
 2012/0048511 A1 3/2012 Moshtagh  
 2012/0049717 A1 3/2012 Lu  
 2012/0057351 A1 3/2012 Wilcox et al.  
 2012/0087118 A1 4/2012 Bailey et al.  
 2012/0087125 A1 4/2012 Liu  
 2012/0098437 A1 4/2012 Smed  
 2012/0120674 A1 5/2012 Jonker  
 2012/0140455 A1 6/2012 Chang et al.  
 2012/0155104 A1 6/2012 Jonker  
 2012/0212963 A1 8/2012 Jigamain  
 2012/0234519 A1 9/2012 Lee  
 2012/0236551 A1 9/2012 Sharrah et al.  
 2012/0247735 A1 10/2012 Ito et al.  
 2012/0262917 A1 10/2012 Courcelle  
 2012/0300487 A1 11/2012 Jonker  
 2013/0032323 A1 2/2013 Hsu  
 2013/0058078 A1 3/2013 Meng  
 2013/0077296 A1 3/2013 Goeckel et al.  
 2013/0128565 A1 5/2013 Cugini et al.  
 2013/0148366 A1 \* 6/2013 Adams, IV ..... F21V 21/088  
 362/396  
 2013/0176713 A1 7/2013 Deighton et al.  
 2013/0187785 A1 7/2013 McIntosh et al.  
 2013/0258645 A1 10/2013 Weber et al.  
 2013/0265780 A1 10/2013 Choski et al.  
 2013/0322073 A1 12/2013 Hamm et al.  
 2014/0126192 A1 5/2014 Ancona et al.  
 2014/0140050 A1 5/2014 Wong et al.  
 2014/0192543 A1 7/2014 Deighton et al.  
 2014/0218936 A1 8/2014 Mahling et al.  
 2014/0231486 A1 \* 8/2014 Burch ..... B25C 5/0285  
 227/63  
 2014/0268775 A1 9/2014 Kennemer et al.  
 2014/0301066 A1 10/2014 Inskeep  
 2014/0307443 A1 10/2014 Clifford et al.  
 2014/0376216 A1 12/2014 McLoughlin et al.  
 2015/0023771 A1 1/2015 Carr et al.  
 2015/0198298 A1 7/2015 Scarlata et al.  
 2015/0233569 A1 8/2015 Xue et al.  
 2015/0233571 A1 8/2015 Inan et al.  
 2016/0341239 A1 \* 11/2016 Inkavesvaanit ..... F16B 45/02  
 2016/0354664 A1 12/2016 DeCarlo  
 2016/0356439 A1 12/2016 Inskeep  
 2017/0138575 A1 \* 5/2017 Harvey ..... F21L 4/04  
 2017/0204864 A1 7/2017 Mantes et al.  
 2017/0331163 A1 11/2017 Ebner et al.  
 2019/0257505 A1 \* 8/2019 Harvey ..... F21L 4/027  
 2019/0285257 A1 \* 9/2019 Gall ..... F21V 21/145

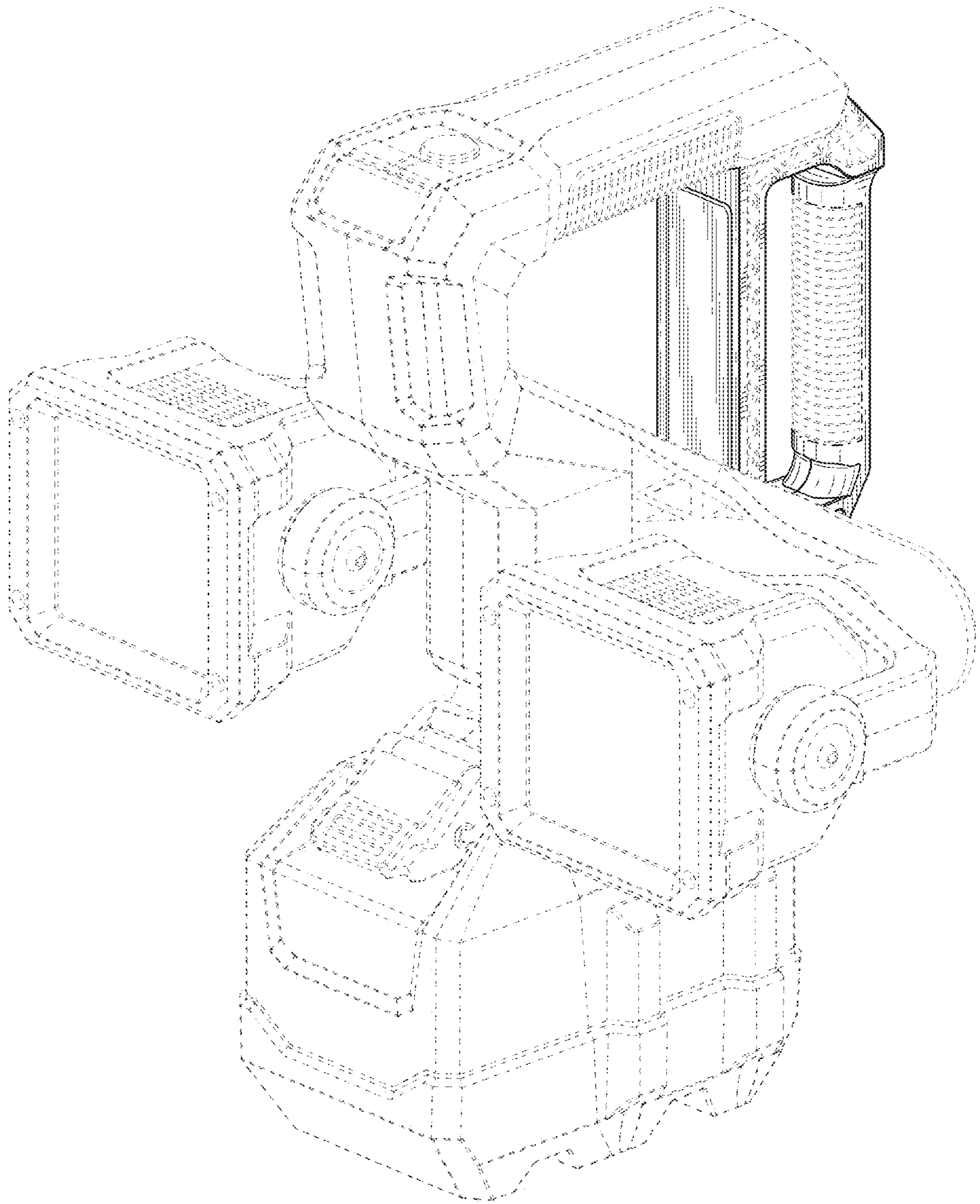
FOREIGN PATENT DOCUMENTS

EP 0193756 9/1986  
 EP 1205428 5/2002  
 EP 2436641 4/2012  
 GB 2424694 10/2006  
 GB 2468740 9/2010  
 GB 6002626 \* 11/2016  
 KR 20100116933 11/2010  
 WO 2002044503 6/2002  
 WO 2014083117 6/2014  
 WO 2014207595 12/2014

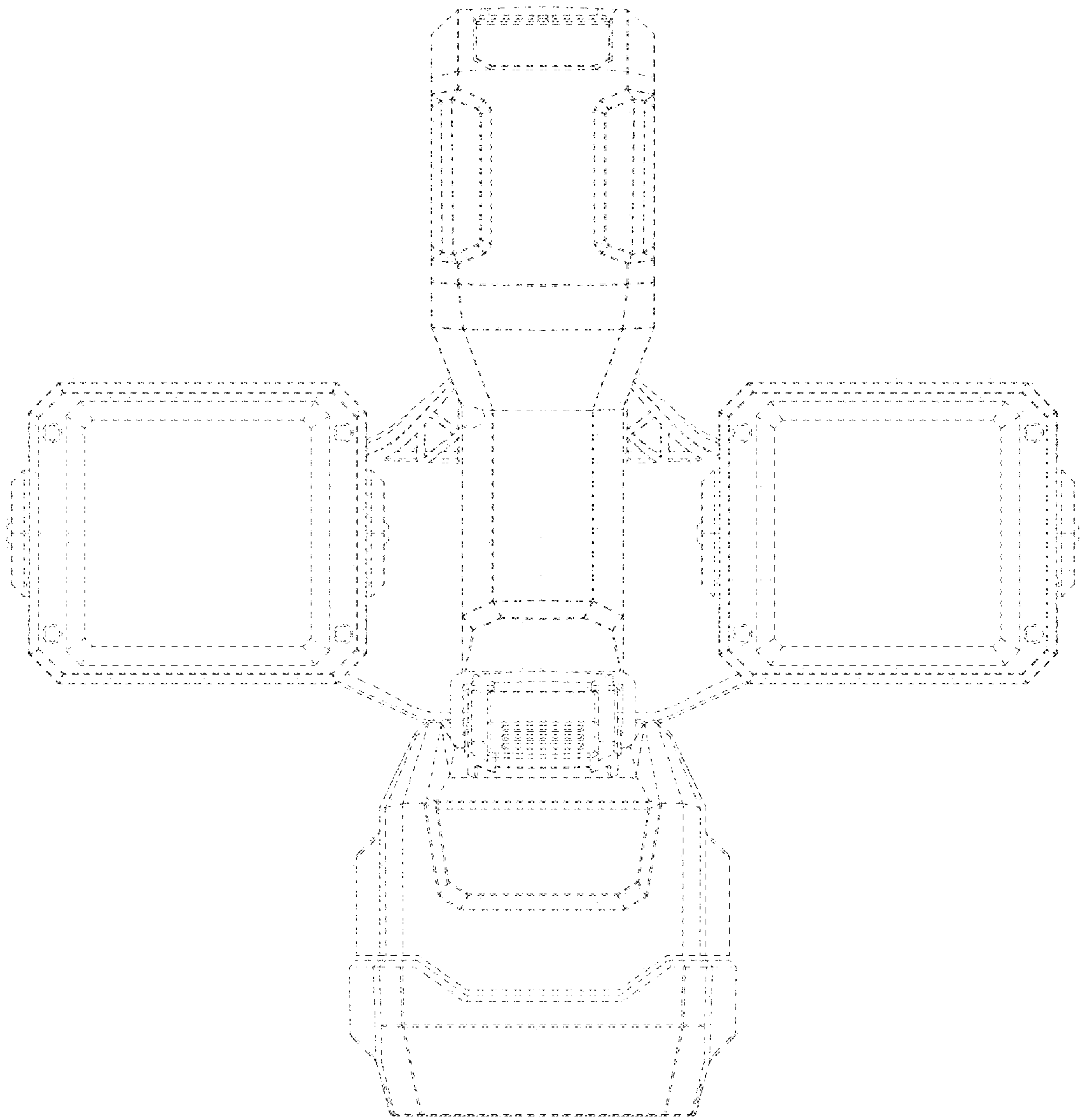
OTHER PUBLICATIONS

Extended European Search Report for Application No. 16198619.5 dated Mar. 1, 2017, 9 pages.

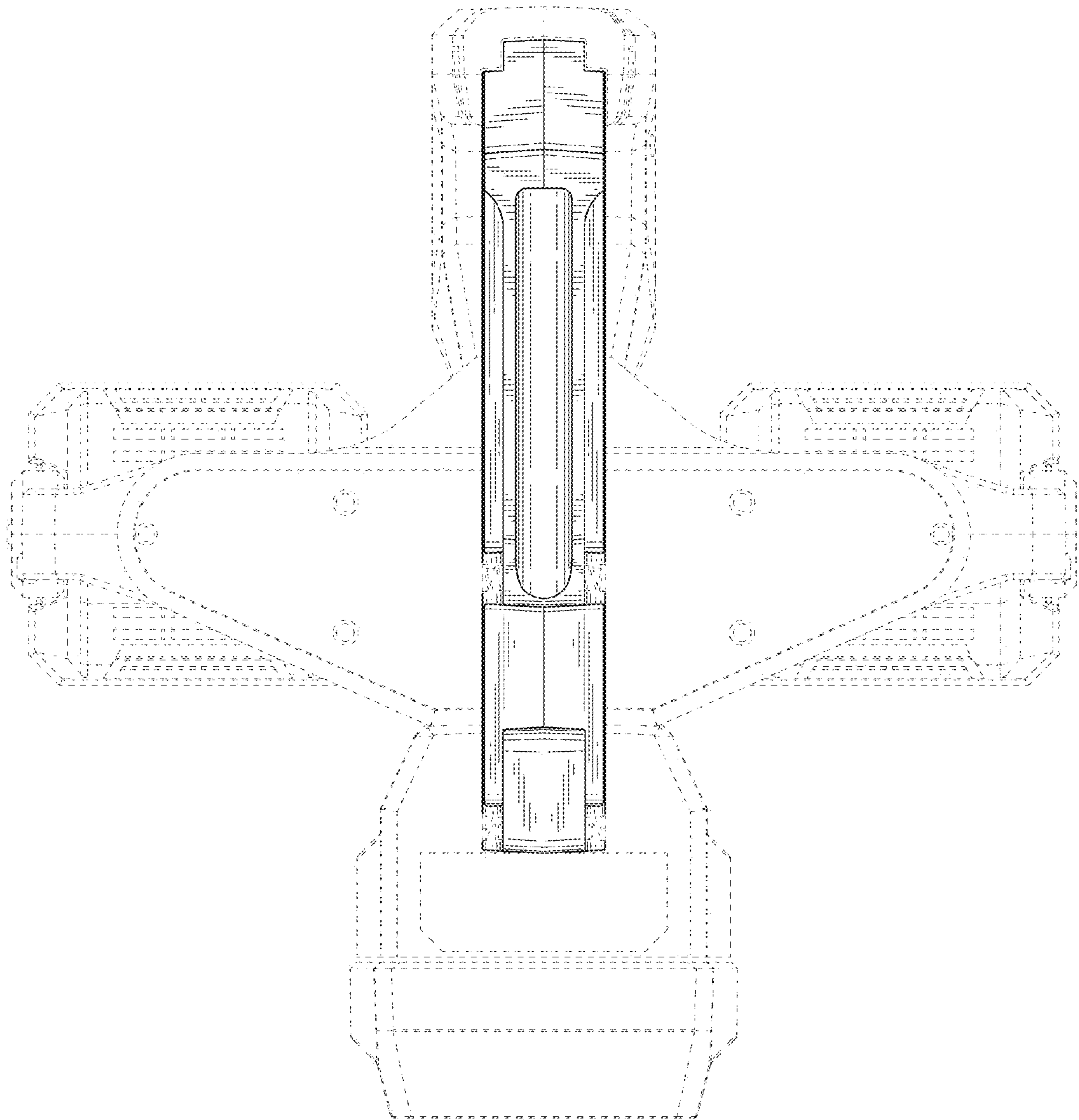
\* cited by examiner



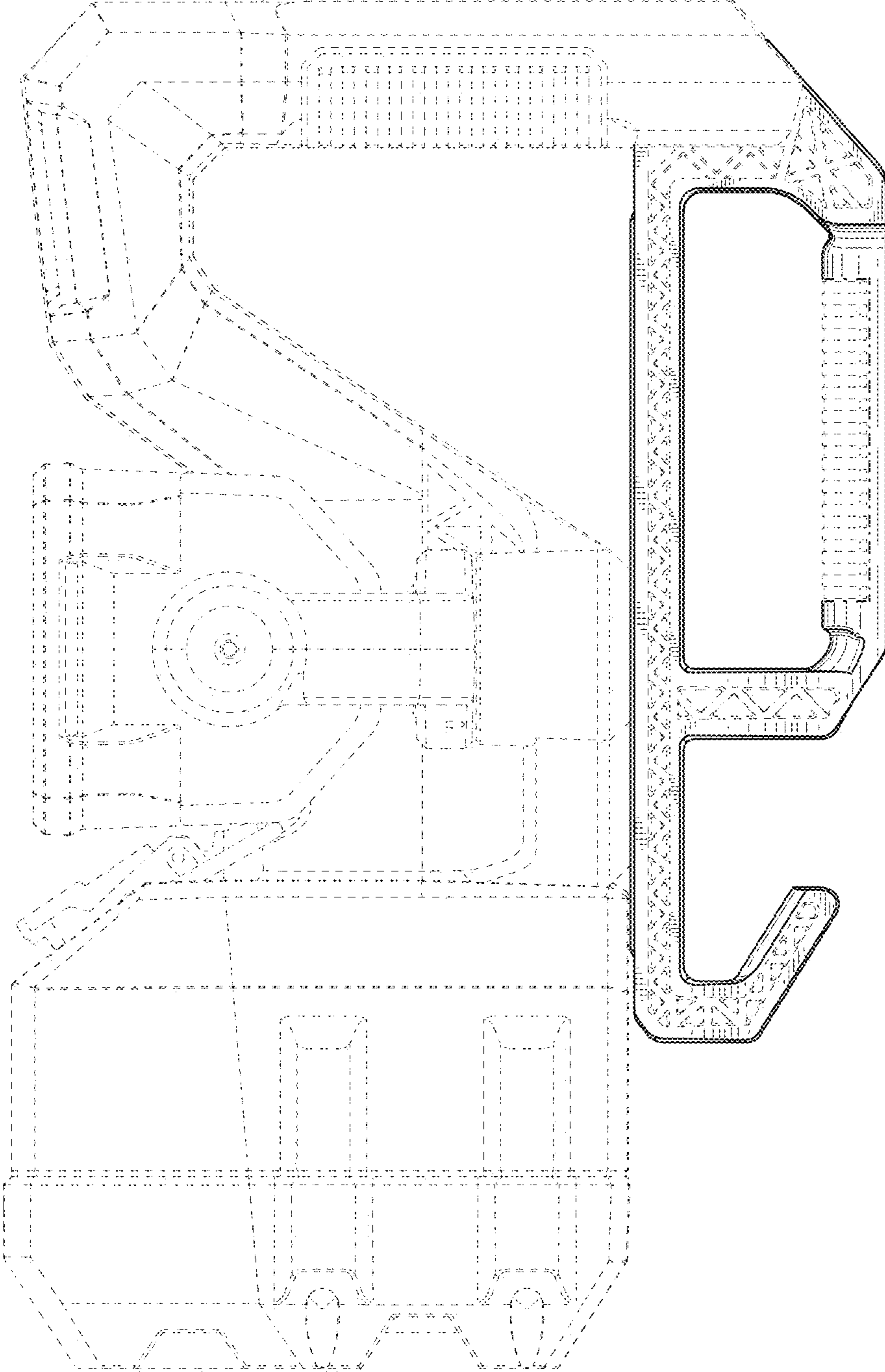
**FIG. 1**



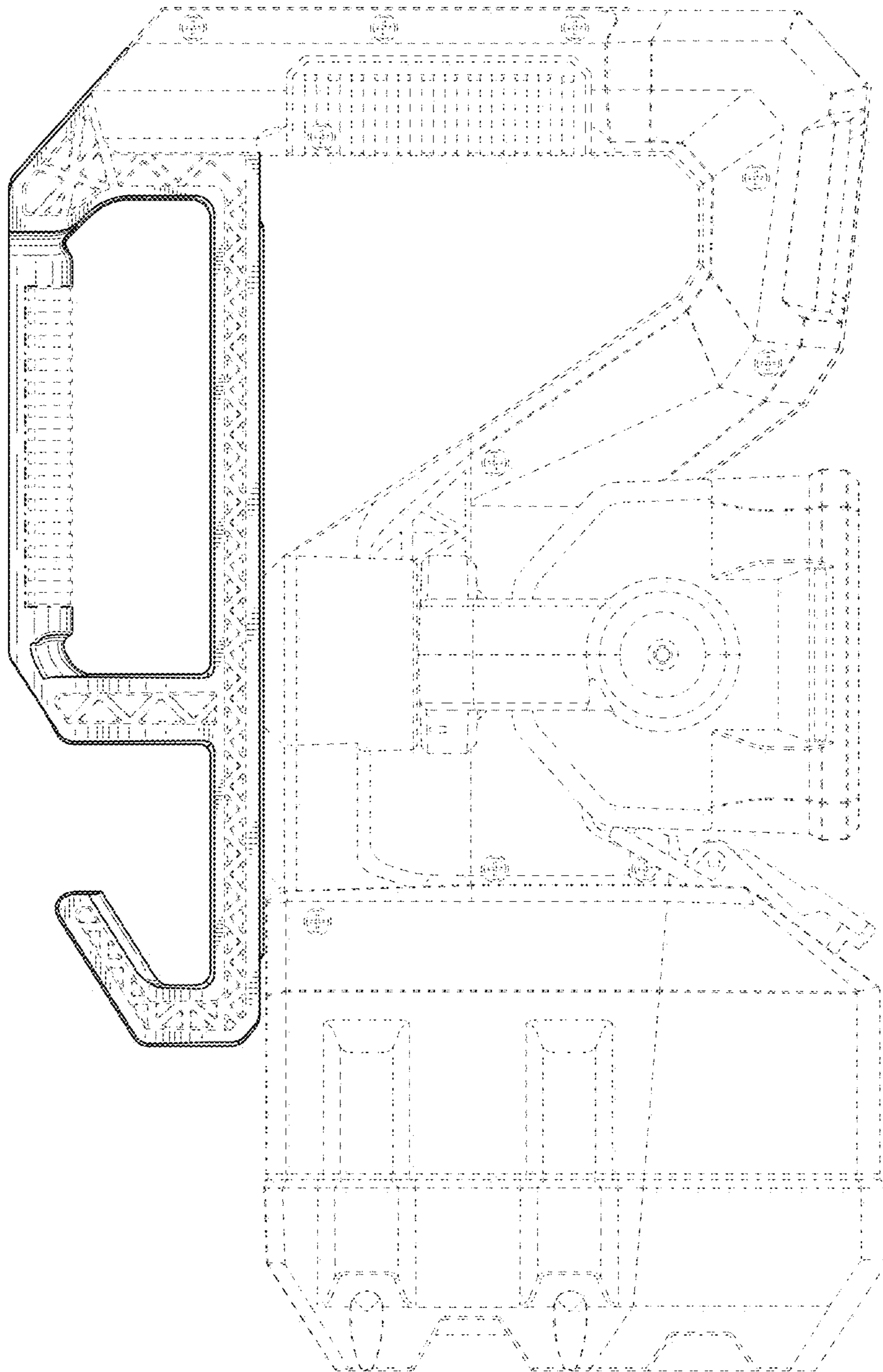
**FIG. 2**



**FIG. 3**

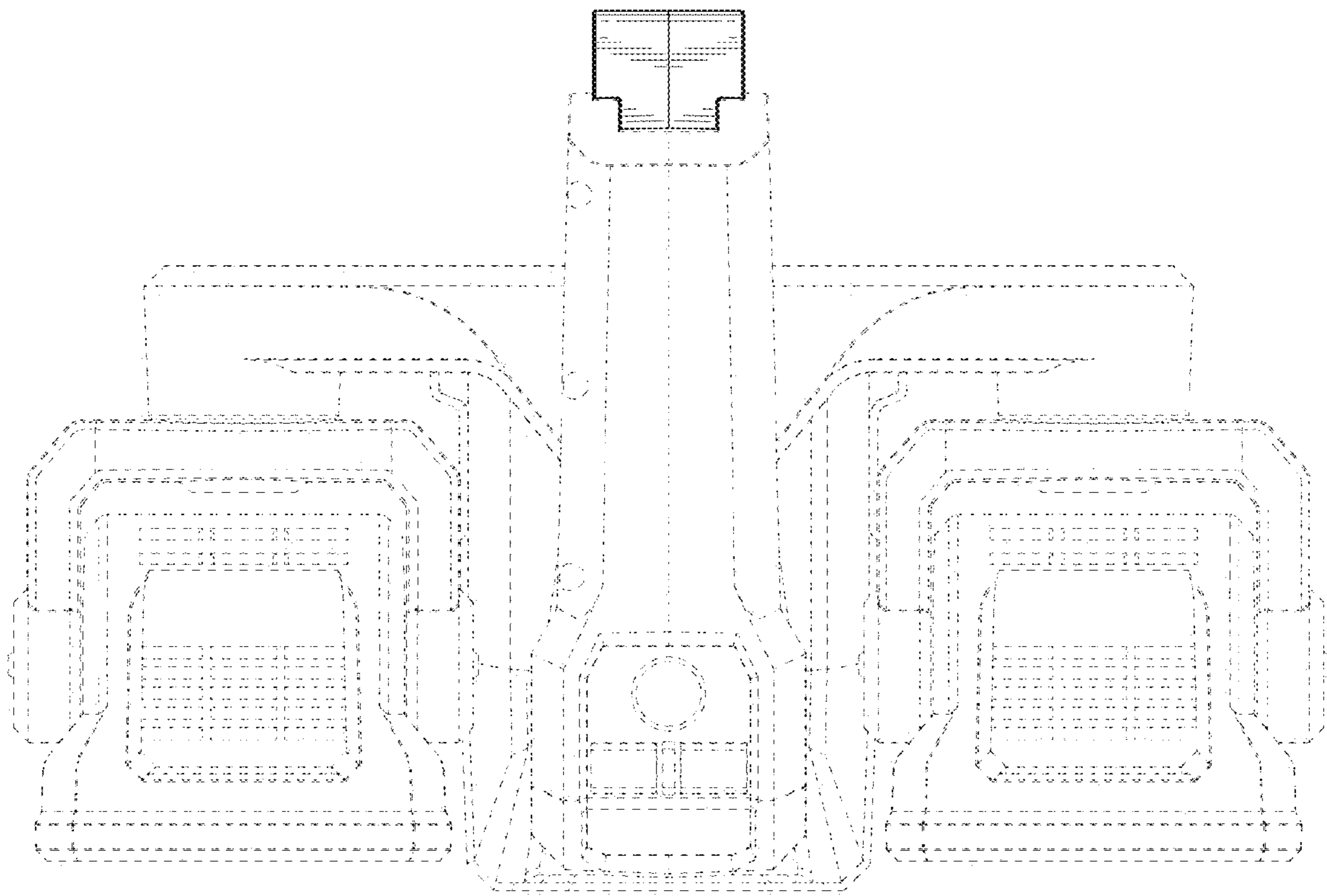


**FIG. 4**

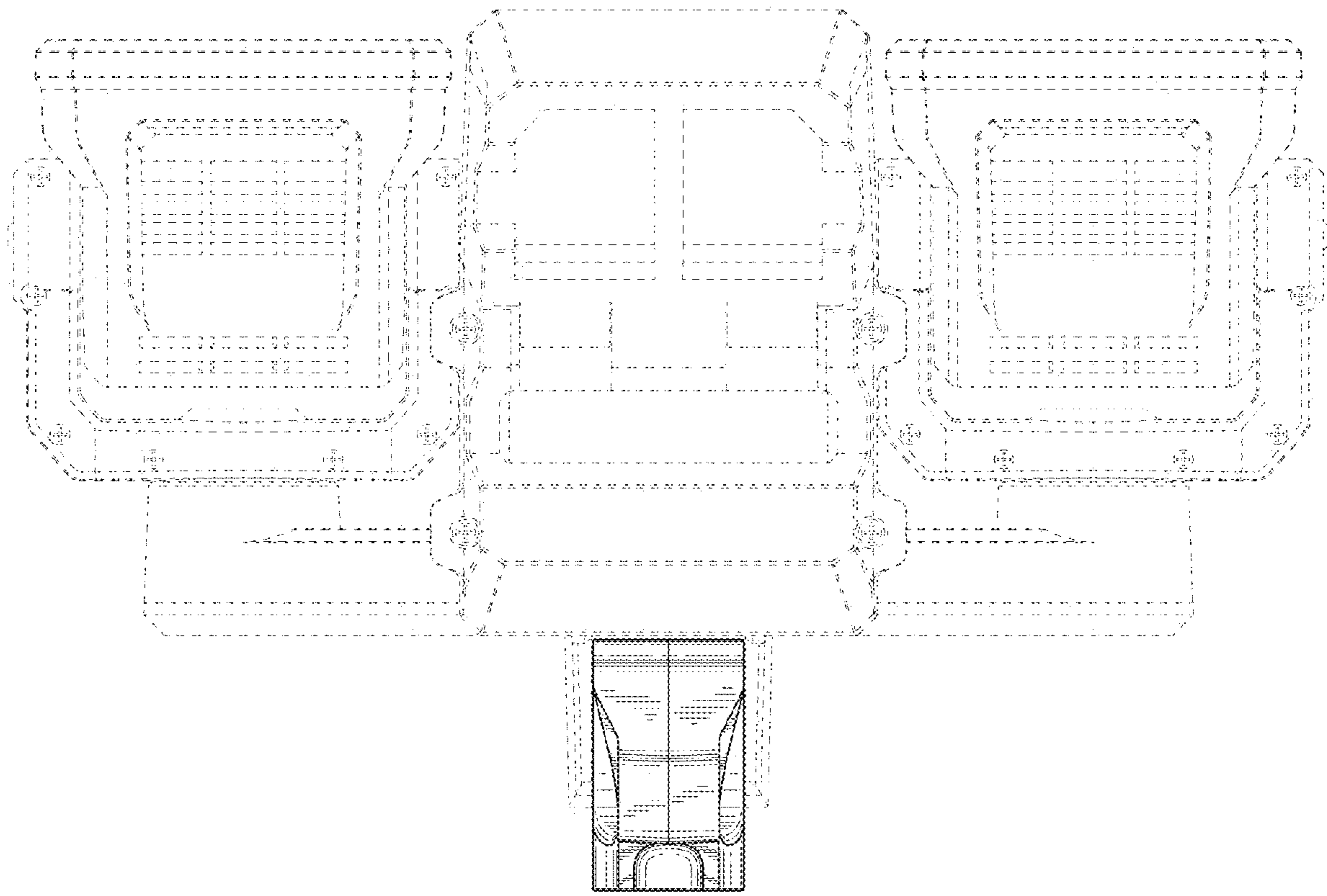


**FIG. 5**





**FIG. 6**



**FIG. 7**