



US00D899646S

(12) **United States Design Patent**
Shan

(10) **Patent No.:** **US D899,646 S**

(45) **Date of Patent:** **** Oct. 20, 2020**

- (54) **UTILITY DIRECT CHARGE LED FLASHLIGHT**
- (71) Applicant: **Jian Shan**, Lincoln, NE (US)
- (72) Inventor: **Jian Shan**, Lincoln, NE (US)
- (**) Term: **15 Years**
- (21) Appl. No.: **29/679,681**
- (22) Filed: **Feb. 8, 2019**
- (51) **LOC (12) Cl.** **26-02**
- (52) **U.S. Cl.**
USPC **D26/49**
- (58) **Field of Classification Search**
USPC D26/37-38, 40-42, 46, 49-50
CPC F21L 2003/00; F21L 4/00; F21L 4/005;
F21L 4/02; F21L 4/022; F21L 4/025;
F21L 4/027; F21L 4/04; F21L 4/045;
F21L 4/08; F21L 4/085; F21L 14/02
See application file for complete search history.

(56) **References Cited**

U.S. PATENT DOCUMENTS

3,609,344	A *	9/1971	So	F21L 4/00	362/184
3,890,498	A *	6/1975	Toth, Sr.	F21L 4/045	362/205
4,357,648	A *	11/1982	Nelson	F21V 19/047	362/183
D370,543	S *	6/1996	Huen	D26/49	
5,586,819	A *	12/1996	Bamber	F21L 4/005	362/158
6,585,391	B1 *	7/2003	Koch	F21V 23/0464	362/205
D488,877	S *	4/2004	Shin	D26/49	
D564,116	S *	3/2008	Linardos	D26/49	
D599,928	S *	9/2009	Shiu	D26/49	
7,581,848	B1 *	9/2009	Parsons	F21L 4/027	200/60

7,686,472	B1 *	3/2010	Huang	F21L 4/005	362/109
8,104,915	B1 *	1/2012	Osterhout	F21L 4/005	362/200
D674,943	S *	1/2013	Sheikh	D22/117	
D683,877	S *	6/2013	Brands	D26/49	
D698,961	S *	2/2014	Dalton	D26/49	
D706,897	S *	6/2014	Sheikh	D22/117	
D709,231	S *	7/2014	Nguyen	D26/49	
D709,232	S *	7/2014	Inskeep	D26/49	
D709,233	S *	7/2014	Inskeep	D26/49	
D709,234	S *	7/2014	Inskeep	D26/49	
D710,526	S *	8/2014	Lee	D26/49	
D716,984	S *	11/2014	Inskeep	D26/49	

(Continued)

Primary Examiner — Sheryl Lane

Assistant Examiner — Stacey L Hopkins

(74) *Attorney, Agent, or Firm* — Matt Catlett

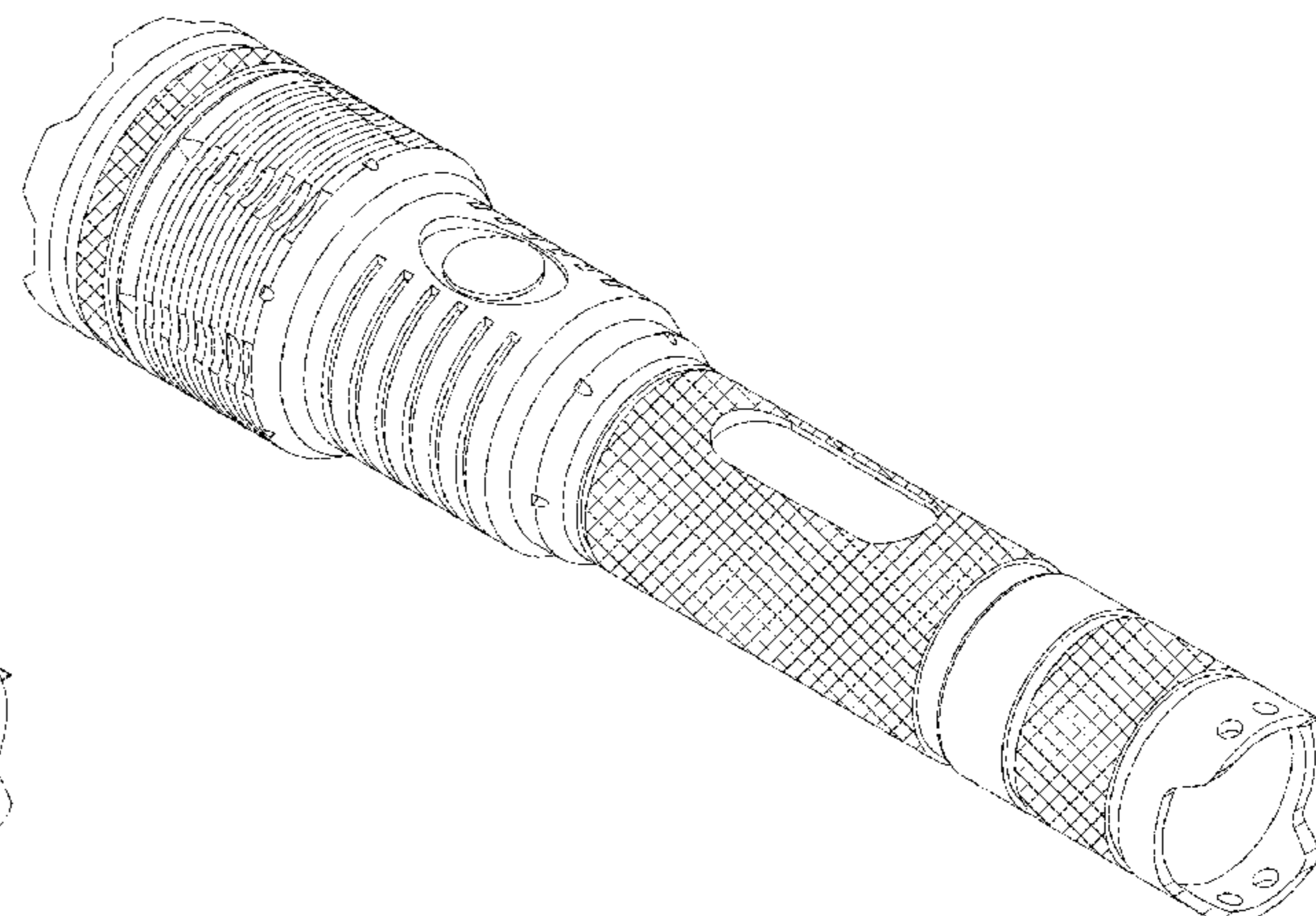
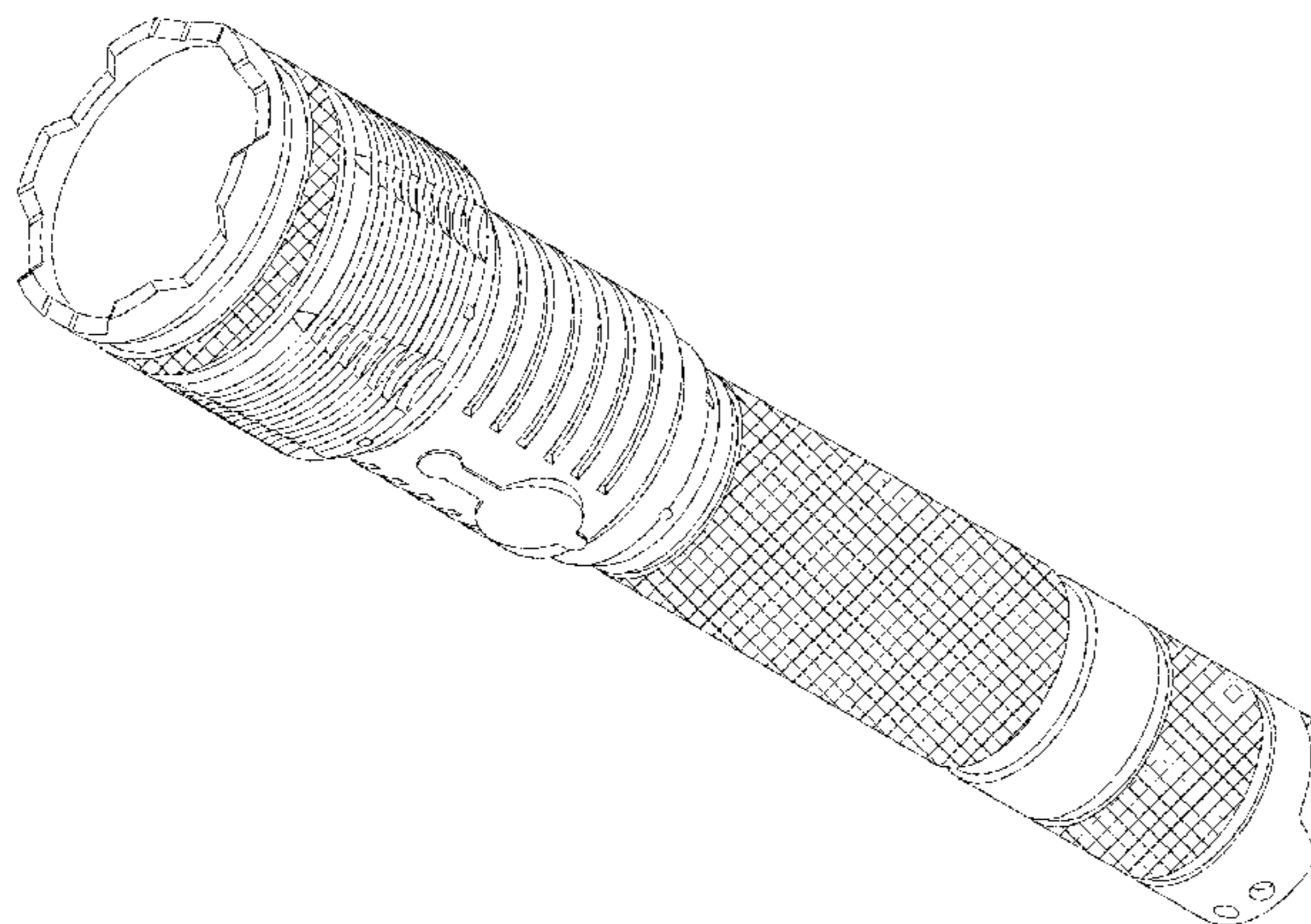
(57) **CLAIM**

I claim the ornamental design for a utility direct charge LED flashlight, as shown and described.

DESCRIPTION

FIG. 1 is a top rear perspective view of a utility direct charge LED flashlight according to the new design; FIG. 2 is a bottom front perspective view of the utility direct charge LED flashlight illustrated in FIG. 1; FIG. 3 is a top front perspective view of the utility direct charge LED flashlight illustrated in FIG. 1; FIG. 4 is a bottom rear perspective view of the utility direct charge LED flashlight illustrated in FIG. 1; FIG. 5 is a rear side elevational view of the utility direct charge LED flashlight illustrated in FIG. 1; FIG. 6 is a left side elevational view of the search direct charge LED flashlight illustrated in FIG. 1; FIG. 7 is a front side elevational view of the utility direct charge LED flashlight illustrated in FIG. 1; and, FIG. 8 is a right side elevational view of the search direct charge LED flashlight illustrated in FIG. 1.

1 Claim, 8 Drawing Sheets



(56)

References Cited

U.S. PATENT DOCUMENTS

D719,694 S * 12/2014 Nawaz D22/117
 D724,247 S * 3/2015 Chouprinov D22/117
 D736,975 S * 8/2015 Tang D22/117
 D739,060 S * 9/2015 Chouprinov D22/117
 D745,987 S * 12/2015 Nawaz D22/117
 D747,020 S * 1/2016 Chouprinov D22/117
 D782,603 S * 3/2017 Fan D22/117
 D785,842 S * 5/2017 Huang D26/49
 D786,466 S * 5/2017 Prieto D26/49
 D788,965 S * 6/2017 Roshak D26/63
 D794,857 S * 8/2017 Sharrah D26/49
 D803,445 S * 11/2017 Inskeep D26/49
 D810,337 S * 2/2018 Eichelberger D26/49
 D814,087 S * 3/2018 Cao D26/49
 D814,088 S * 3/2018 Cao D26/49
 D828,940 S * 9/2018 Qiu D26/49
 D843,624 S * 3/2019 Son D26/49
 D844,874 S * 4/2019 Eichelberger D26/49
 D846,169 S * 4/2019 Inskeep D26/49
 D846,783 S * 4/2019 Eichelberger D26/49
 10,337,703 B1 * 7/2019 Windom F21V 17/002
 D858,834 S * 9/2019 Huang D26/49
 D860,493 S * 9/2019 Qiu D26/49
 D861,216 S * 9/2019 Li D26/49
 D875,287 S * 2/2020 Inskeep D26/49
 D877,379 S * 3/2020 Qiu D26/49
 10,578,297 B1 * 3/2020 Zhu F21L 4/08
 D885,626 S * 5/2020 Inskeep D26/49
 2002/0149928 A1 * 10/2002 Watterson F21L 15/06
 362/184
 2003/0016533 A1 * 1/2003 Forsythe F21L 4/005
 362/204
 2006/0028811 A1 * 2/2006 Ross, Jr. H04N 5/2252
 362/157

2008/0013307 A1 * 1/2008 Kang F21L 4/085
 362/205
 2008/0013308 A1 * 1/2008 Kang F21L 4/00
 362/205
 2009/0190339 A1 * 7/2009 Galli F21L 4/00
 362/205
 2009/0295310 A1 * 12/2009 Duerr F21L 4/025
 315/297
 2011/0085324 A1 * 4/2011 Liu F21L 4/005
 362/190
 2012/0020063 A1 * 1/2012 Mironichev F41G 1/35
 362/191
 2012/0176780 A1 * 7/2012 Gross F21V 23/0414
 362/184
 2012/0274774 A1 * 11/2012 Bushee G11B 33/025
 348/158
 2014/0092590 A1 * 4/2014 Parker F21L 4/02
 362/184
 2014/0268713 A1 * 9/2014 Unger F21V 23/0414
 362/205
 2015/0003050 A1 * 1/2015 Parsons H05B 45/00
 362/158
 2015/0036330 A1 * 2/2015 Economos F21L 4/08
 362/183
 2016/0033091 A1 * 2/2016 Sharrah F21V 15/01
 362/202
 2016/0033107 A1 * 2/2016 Windom F21L 4/027
 362/184
 2016/0252221 A1 * 9/2016 Maglica H01M 10/655
 362/202
 2017/0033583 A1 * 2/2017 Inskeep H05B 45/37
 2017/0067605 A1 * 3/2017 Kuo F21L 4/085
 2017/0130914 A1 * 5/2017 Gassauer F21L 4/085
 2017/0299165 A1 * 10/2017 Shoulders F21L 4/027
 2019/0017689 A1 * 1/2019 Parsons F21V 21/406
 2019/0145588 A1 * 5/2019 Windom F21V 23/0414
 250/504 H

* cited by examiner

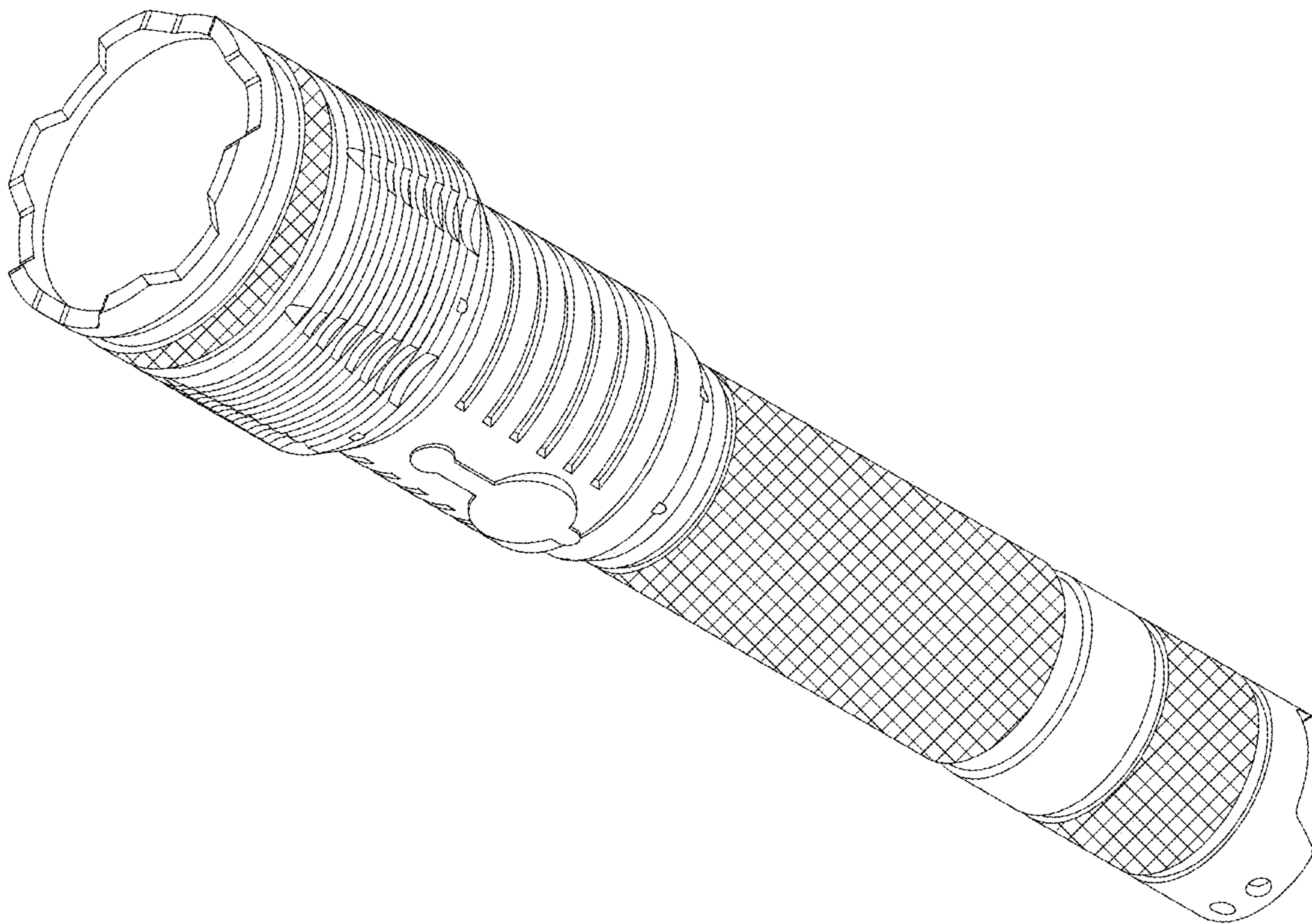


FIG. 1

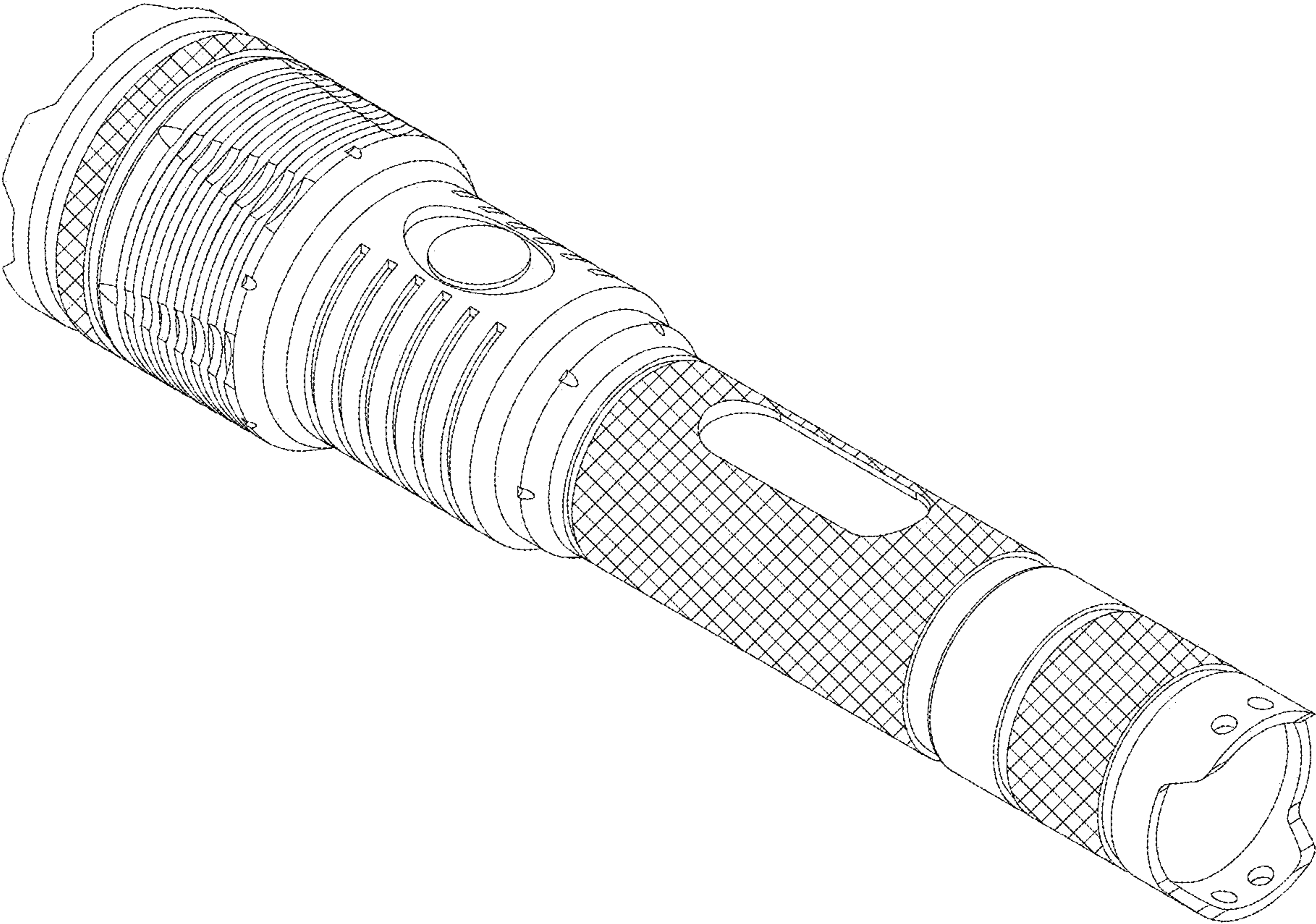


FIG. 2

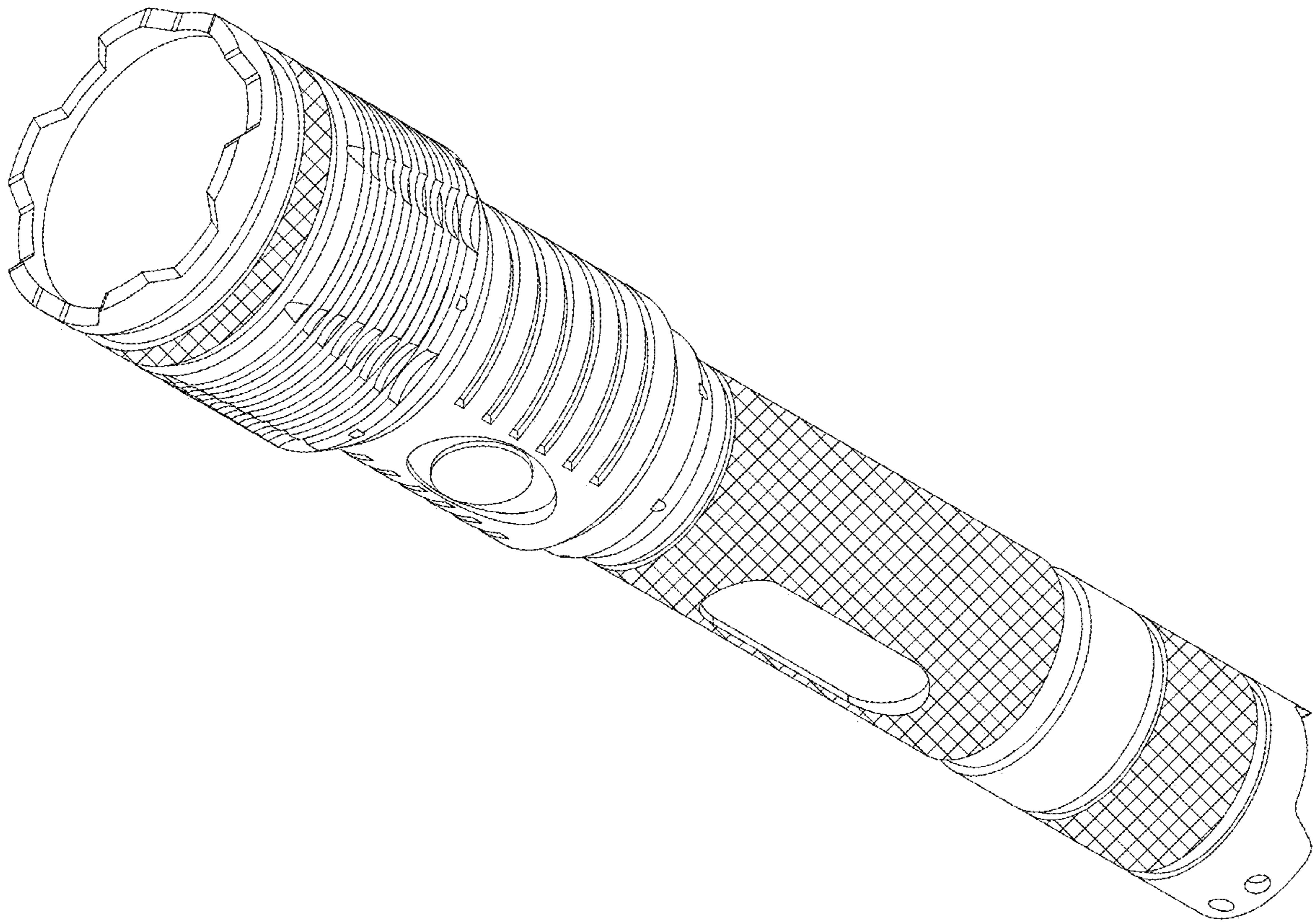


FIG. 3

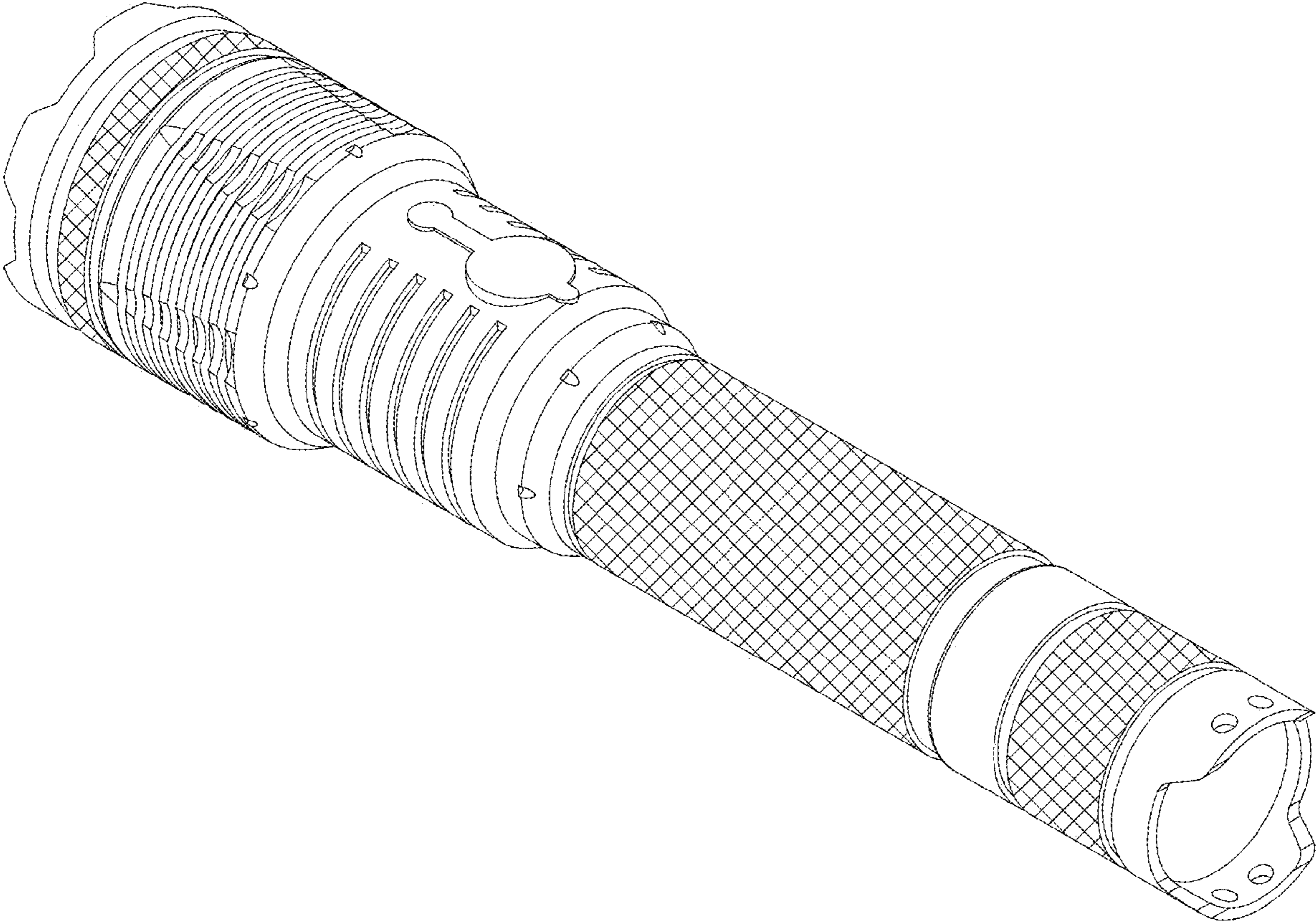


FIG. 4

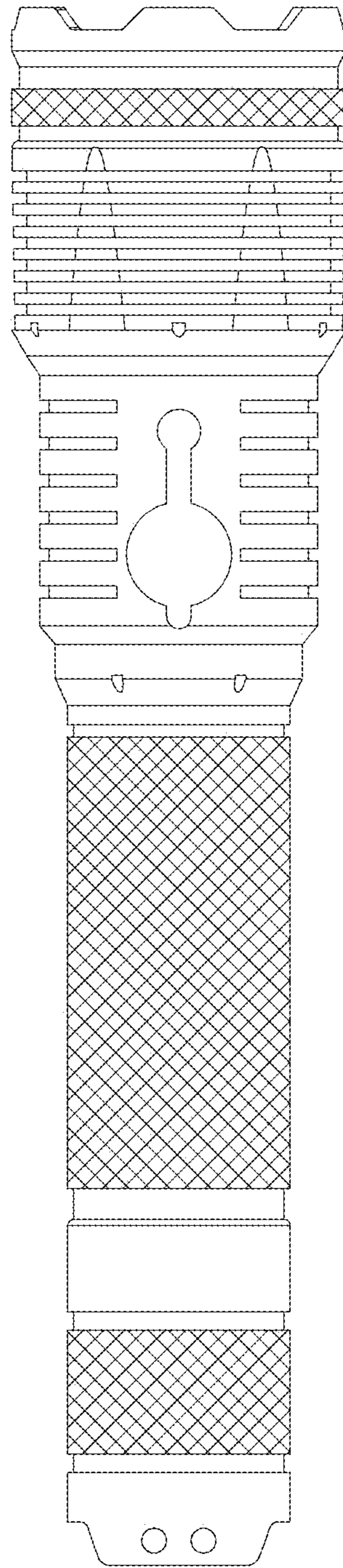


FIG. 5

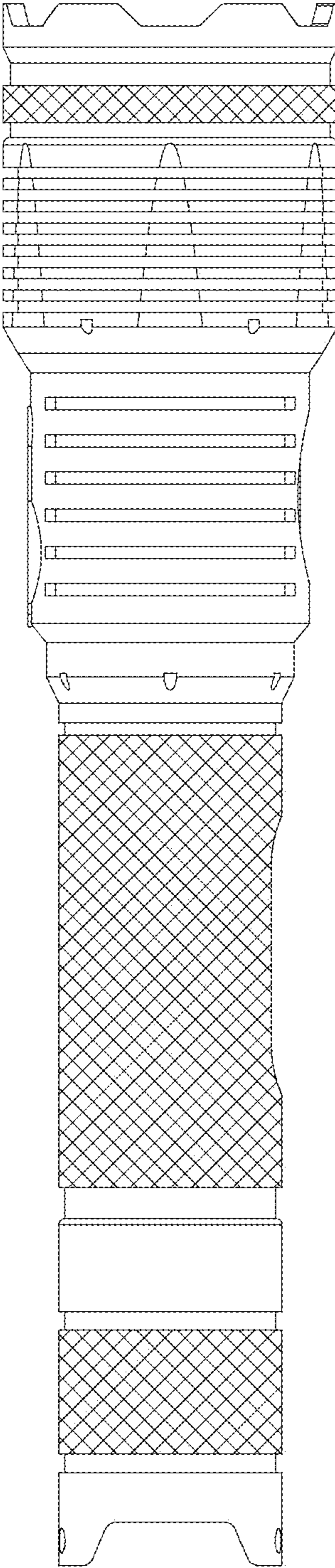


FIG. 6

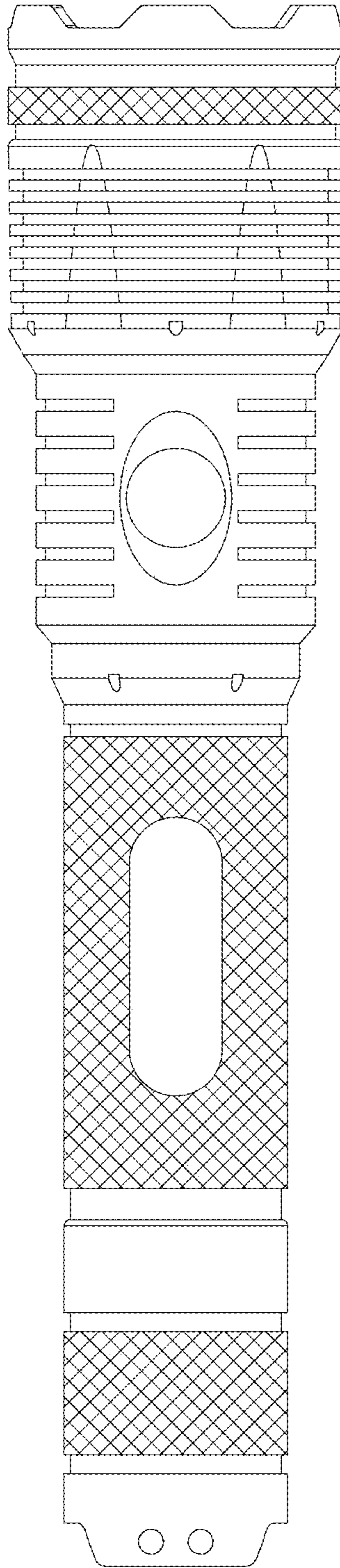


FIG. 7

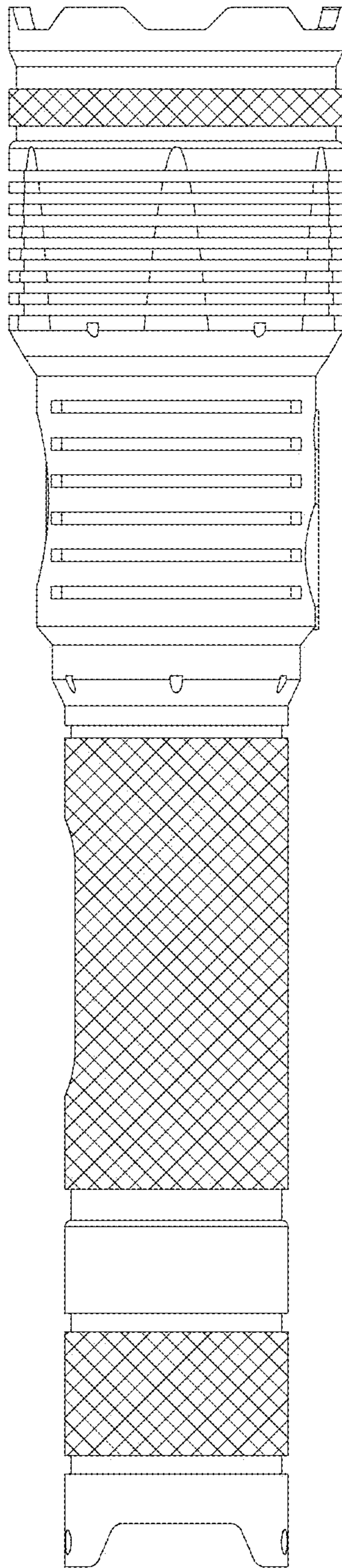


FIG. 8