



US00D899645S

(12) **United States Design Patent**
Wang

(10) **Patent No.:** **US D899,645 S**

(45) **Date of Patent:** **** Oct. 20, 2020**

- (54) **SNOW GLOBE LANTERN**
- (71) Applicant: **Chao Wang**, Shangyu (CN)
- (72) Inventor: **Chao Wang**, Shangyu (CN)
- (**) Term: **15 Years**
- (21) Appl. No.: **29/718,757**
- (22) Filed: **Dec. 27, 2019**
- (51) **LOC (12) Cl.** **26-02**
- (52) **U.S. Cl.**
USPC **D26/40**
- (58) **Field of Classification Search**
USPC D26/37-51
CPC F21L 4/02; F21L 4/04; F21L 4/08; F21L 4/005; F21L 7/00; F21L 11/00; F21L 13/00; F21L 13/04; F21L 13/08; F21L 14/02; F21L 17/00; F21L 19/00; F21L 25/00; F21L 2003/00; F21L 2005/00
See application file for complete search history.

D634,242 S	3/2011	Sicurelli
D646,833 S	10/2011	Chen
D653,379 S	1/2012	Chen
D653,380 S	1/2012	Chen
D663,063 S	7/2012	Yang
D684,293 S	6/2013	Lastimosa
D693,955 S	11/2013	Yang
D695,444 S	12/2013	Yang
D756,545 S	5/2016	Goodsell
D766,490 S	9/2016	Moon
D815,334 S	4/2018	Hu
D839,463 S	1/2019	Fu
D866,033 S	11/2019	Fu

* cited by examiner

Primary Examiner — Marcus A Jackson

(74) *Attorney, Agent, or Firm* — Law Offices of Steven W. Weinrieb

(57) **CLAIM**

The ornamental design for a snow globe lantern, as shown and described.

DESCRIPTION

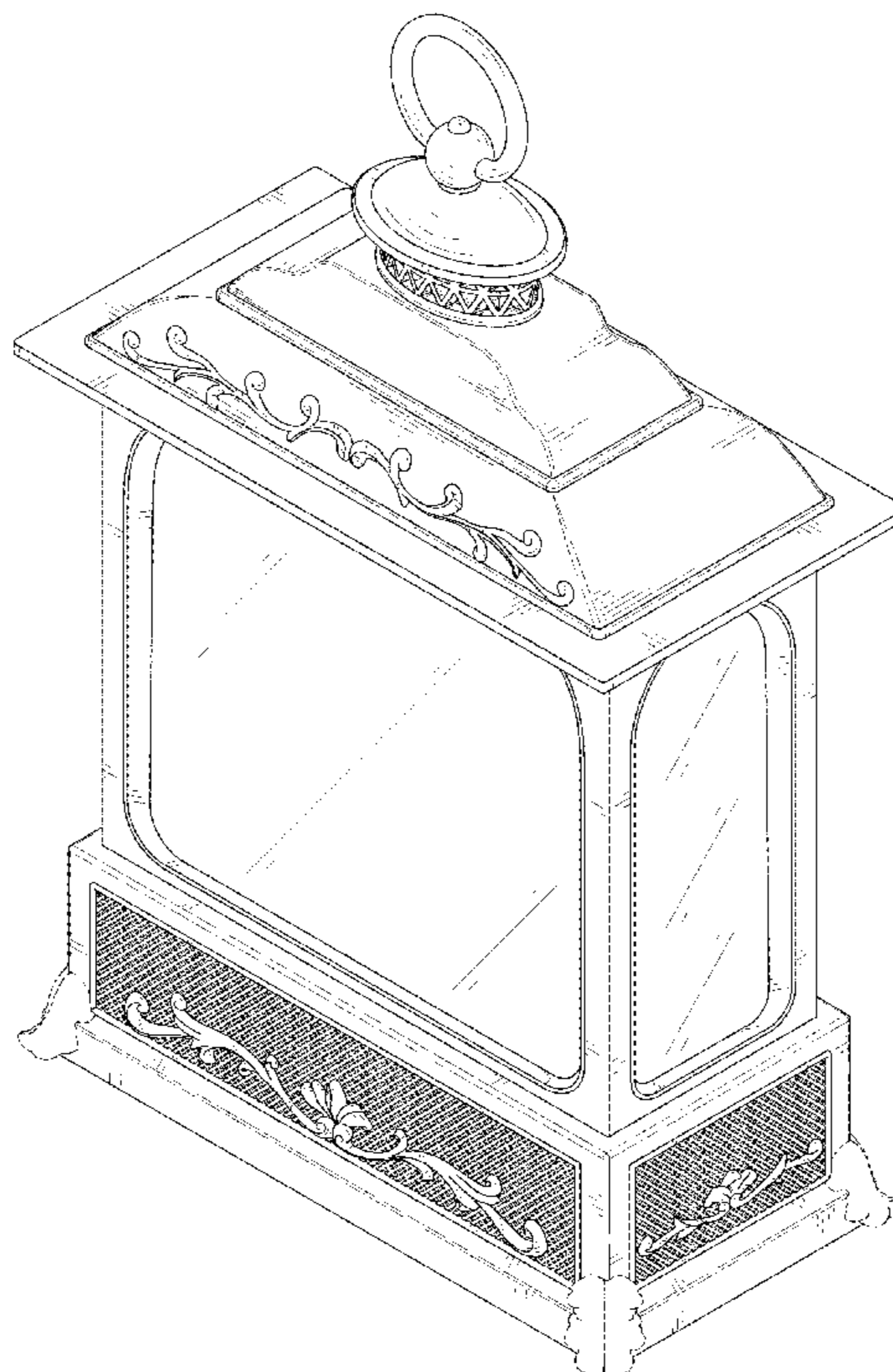
FIG. 1 is a front, right side, top perspective view of a snow globe lantern showing my new design;
 FIG. 2 is a front elevational view thereof;
 FIG. 3 is a rear elevational view thereof;
 FIG. 4 is a left side elevational view thereof;
 FIG. 5 is a right side elevational view thereof;
 FIG. 6 is a top plan view thereof; and,
 FIG. 7 is a bottom plan view thereof.
 The broken lines depict portions of the snow globe lantern form no part of the claimed design.

1 Claim, 7 Drawing Sheets

(56) **References Cited**

U.S. PATENT DOCUMENTS

5,711,099 A	1/1998	Nesbit et al.	
D429,832 S	* 8/2000	Poon	D26/40
D457,676 S	5/2002	Cheong	
D470,968 S	2/2003	Kuelbs et al.	
D482,479 S	11/2003	Kuelbs et al.	
D492,806 S	* 7/2004	Hsu	D26/40
D563,585 S	3/2008	Lee et al.	
D568,512 S	* 5/2008	Shiu	D26/40
D576,756 S	* 9/2008	DeBrunner	D26/40
D599,923 S	* 9/2009	Shiu	D26/40
D617,480 S	* 6/2010	DeBrunner	D26/40



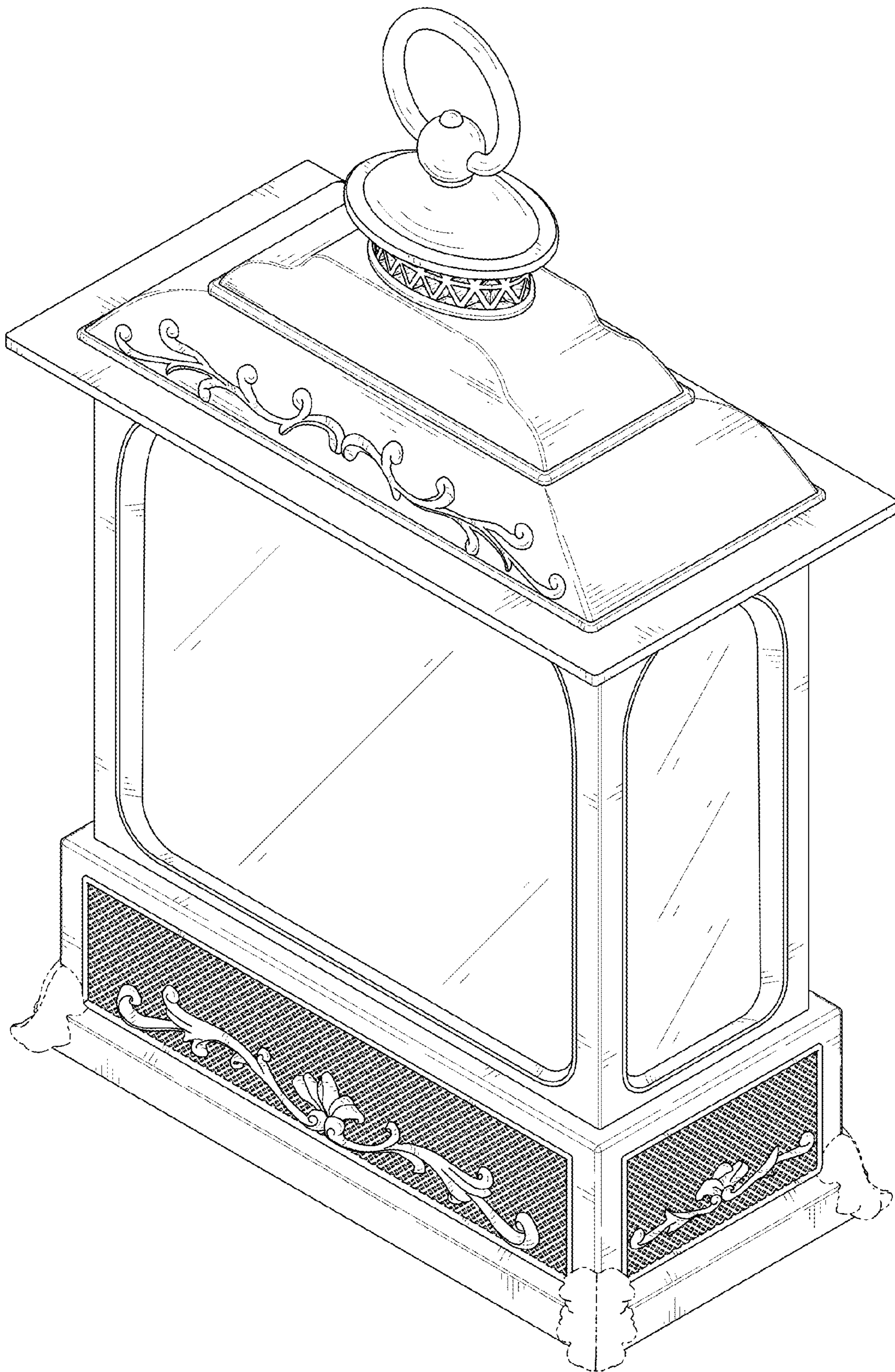


FIG. 1

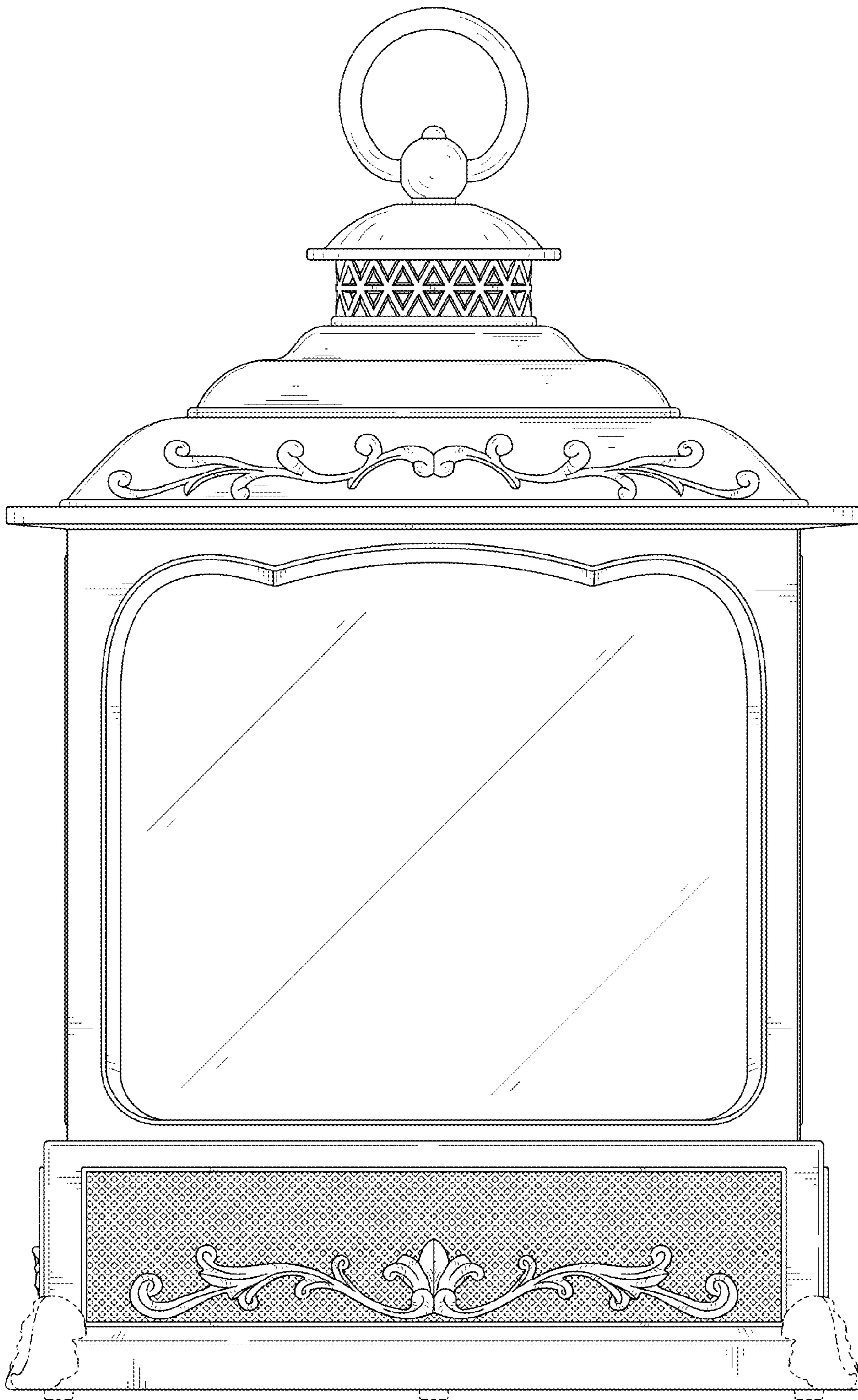


FIG. 2

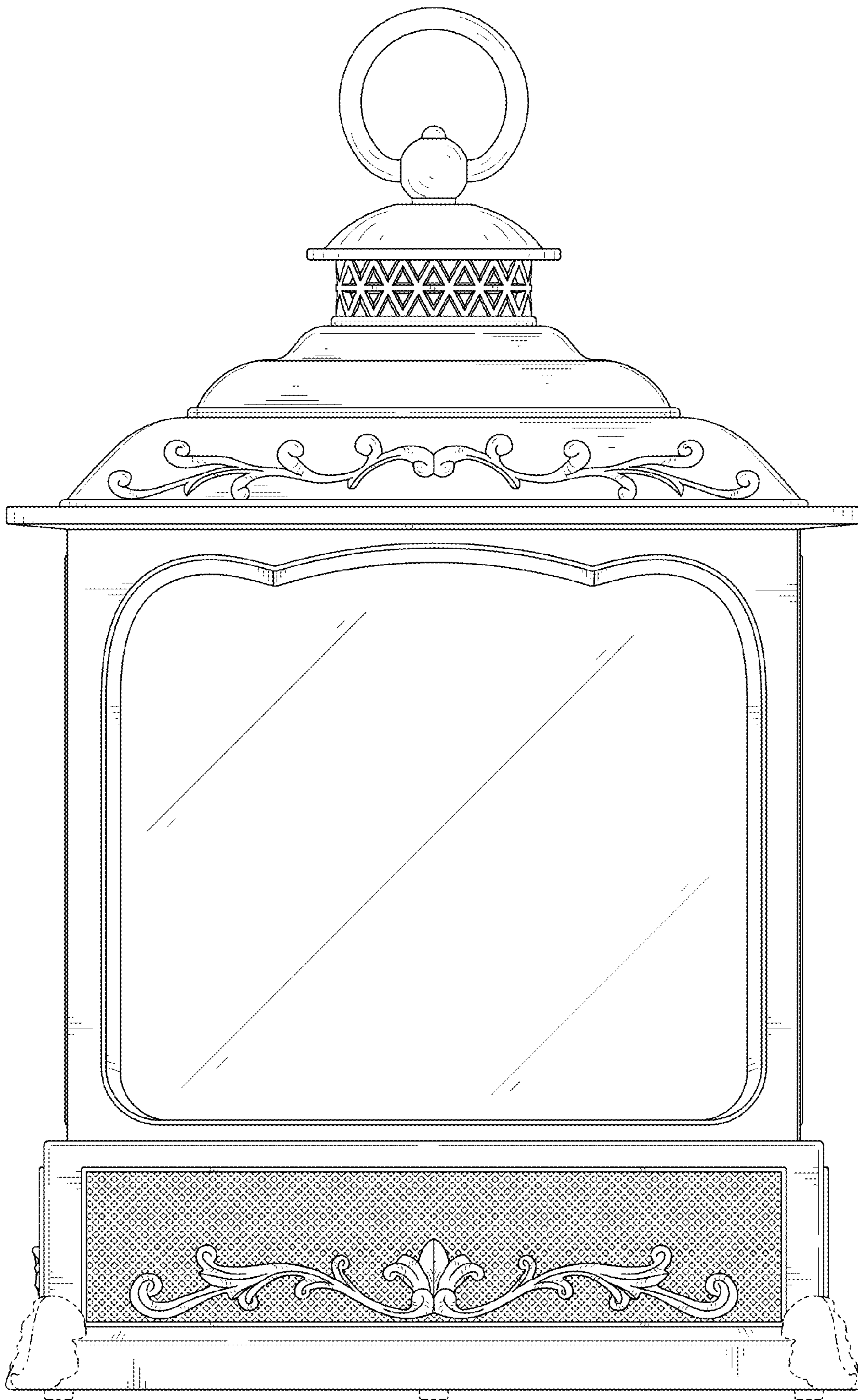


FIG. 3

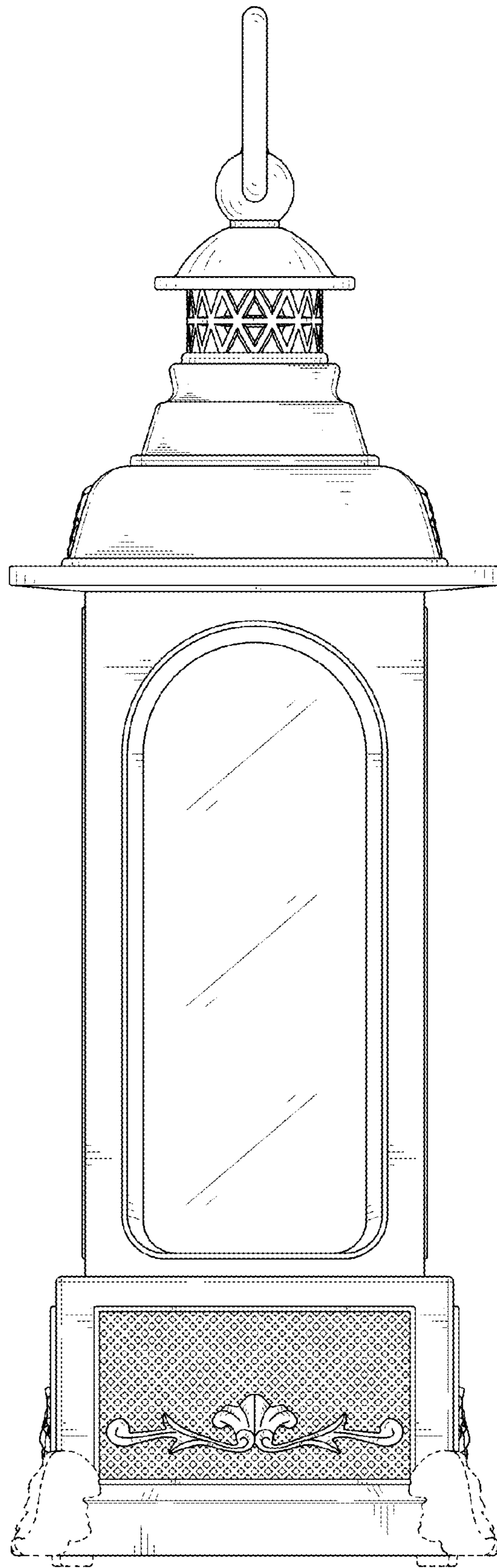


FIG. 4

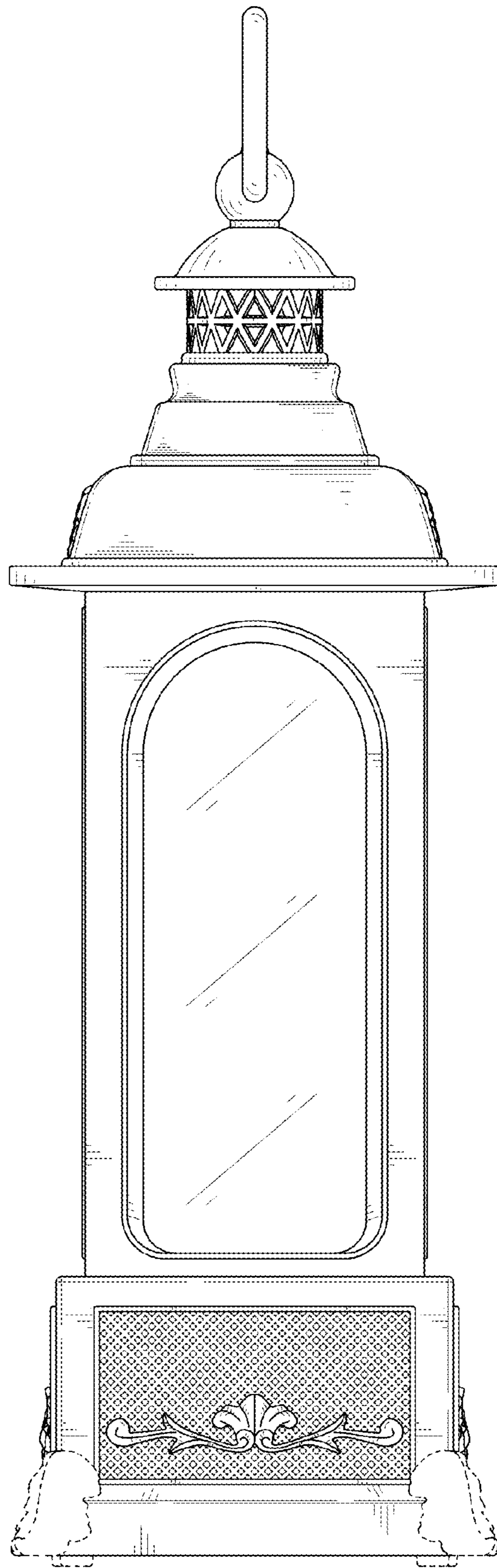


FIG. 5

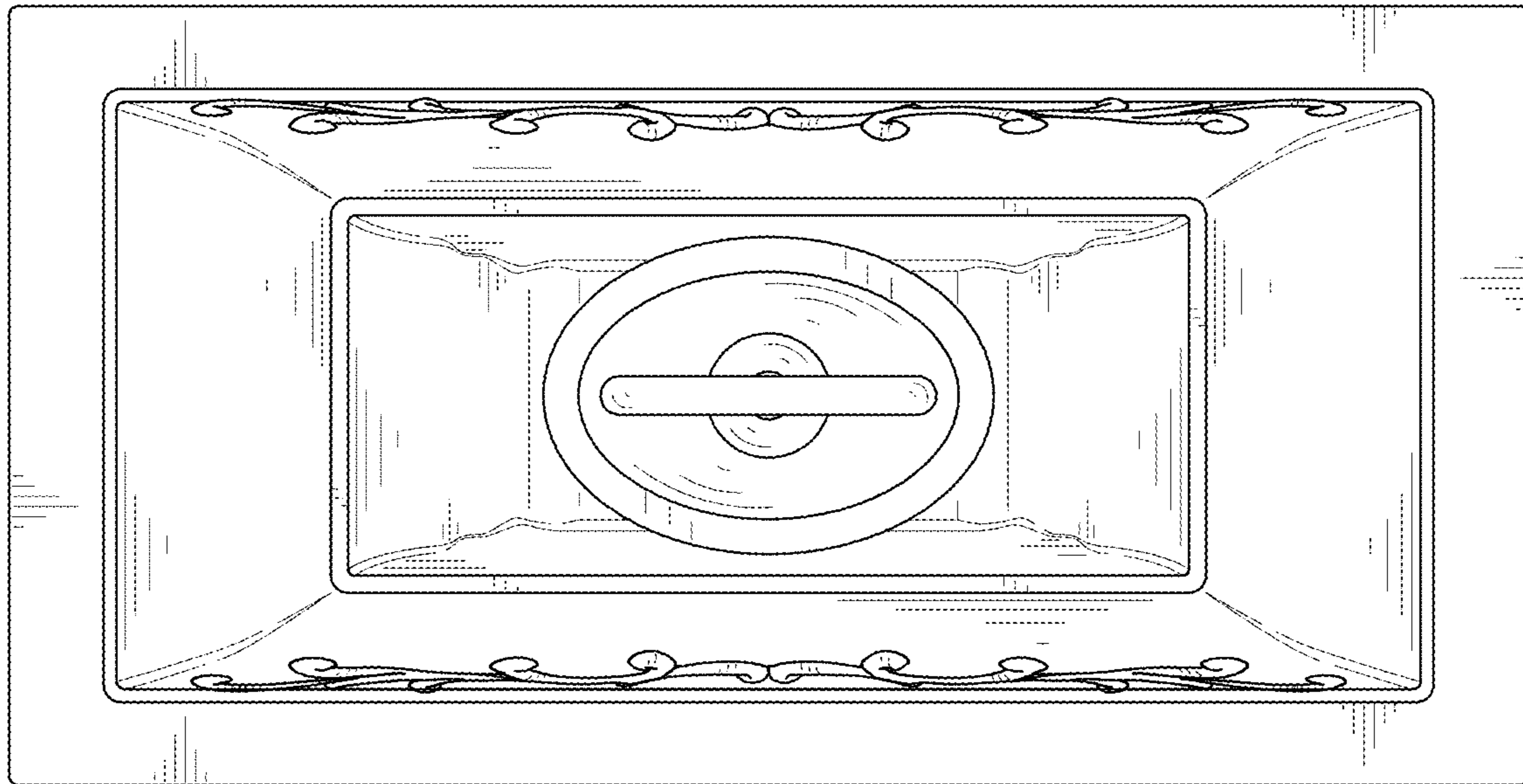


FIG. 6

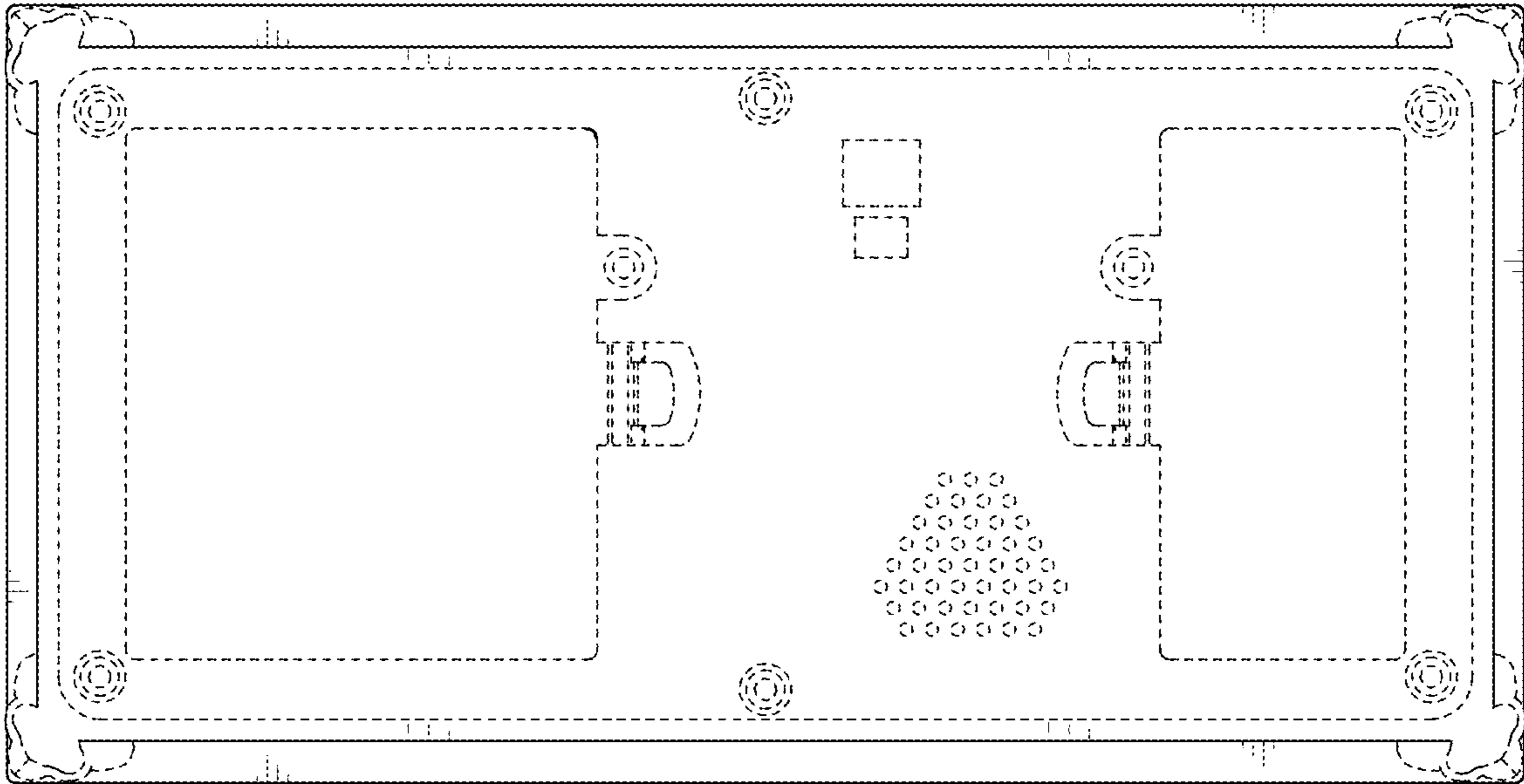


FIG. 7