



US00D899644S

(12) **United States Design Patent** (10) **Patent No.:** **US D899,644 S**
Dorman (45) **Date of Patent:** **** Oct. 20, 2020**

(54) **LANTERN**
(71) Applicant: **MILWAUKEE ELECTRIC TOOL CORPORATION**, Brookfield, WI (US)
(72) Inventor: **Justin D. Dorman**, Wauwatosa, WI (US)
(73) Assignee: **Milwaukee Electric Tool Corporation**, Brookfield, WI (US)

D439,354 S 3/2001 Yuen
D439,689 S 3/2001 Yuen
D441,888 S 5/2001 Haneda et al.
D492,806 S 7/2004 Hsu et al.
6,877,876 B1 4/2005 Steinhilber
D515,721 S 2/2006 Lin
D523,577 S 6/2006 Bayat et al.
D526,077 S 8/2006 Leen
D535,419 S 1/2007 Shiu
D537,968 S 3/2007 Shui
D538,457 S 3/2007 Kovacik et al.

(Continued)

(**) Term: **15 Years**

(21) Appl. No.: **29/679,424**

(22) Filed: **Feb. 6, 2019**

Related U.S. Application Data

(60) Continuation of application No. 29/536,723, filed on Aug. 19, 2015, now Pat. No. Des. 884,870, which is a division of application No. 29/483,235, filed on Feb. 26, 2014, now Pat. No. Des. 742,052.

(51) **LOC (12) Cl.** **26-02**

(52) **U.S. Cl.**
USPC **D26/40**

(58) **Field of Classification Search**
USPC D26/37-51
CPC F21L 2003/00; F21L 4/00; F21L 4/005;
F21L 4/02; F21L 4/025; F21L 4/027;
F21L 4/04; F21L 4/08; F21L 2005/00;
F21L 7/00; F21L 11/00; F21L 13/00;
F21L 13/04; F21L 13/08; F21L 14/02;
F21L 17/00; F21L 19/00; F21L 25/00
See application file for complete search history.

(56) **References Cited**

U.S. PATENT DOCUMENTS

4,483,683 A 11/1984 Alley, Sr.
D367,123 S 2/1996 Blye
5,688,042 A 11/1997 Madali et al.
D407,171 S 3/1999 Yuen

OTHER PUBLICATIONS

Fox Fury Lighting Solutions, "Nomad 360 Portable Scene Light" <http://www.foxfury.com/catalog/product_info.php?products_id=194> webpage available as early as Jul. 28, 2012.

Primary Examiner — Lakiya G Rogers

Assistant Examiner — Carissa C Fitts

(74) *Attorney, Agent, or Firm* — Michael Best & Friedrich LLP

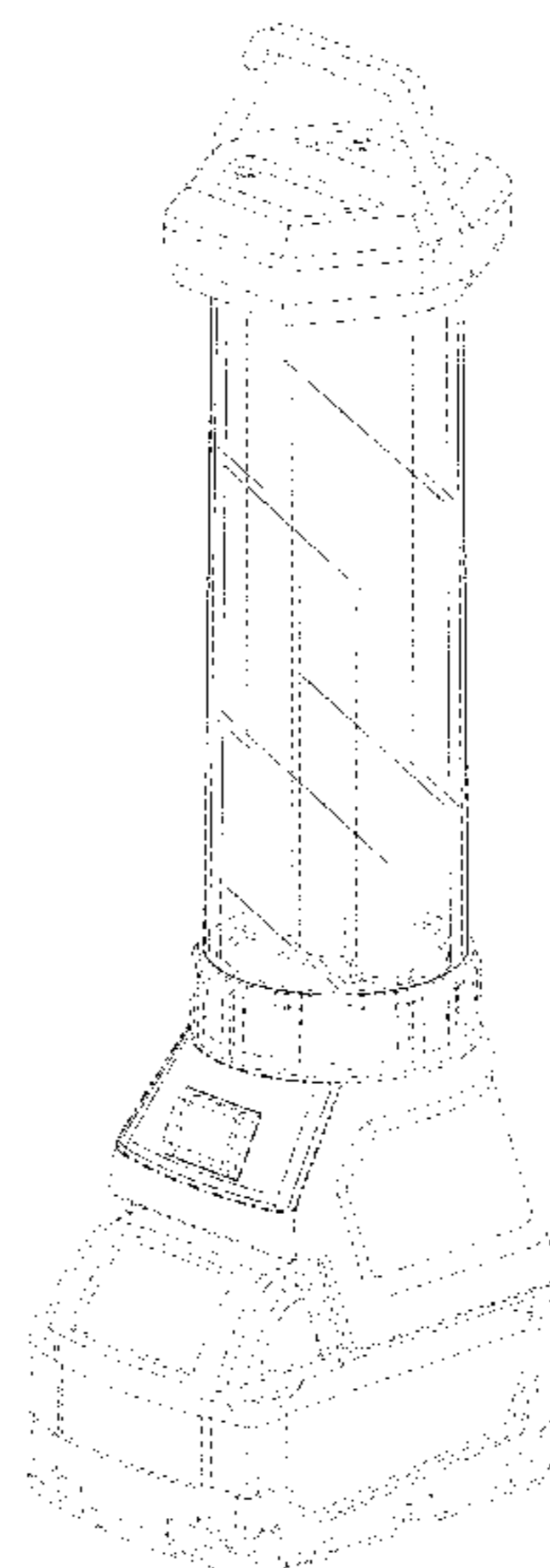
(57) **CLAIM**

I claim the ornamental design for a lantern, as shown and described.

DESCRIPTION

FIG. 1 is a front perspective view of a lantern in accordance with an embodiment of the present invention.
FIG. 2 is a left side view of the lantern of FIG. 1.
FIG. 3 is a right side view of the lantern of FIG. 1.
FIG. 4 is a front view of the lantern of FIG. 1.
FIG. 5 is a rear view of the lantern of FIG. 1; and,
FIG. 6 is a top view of the lantern of FIG. 1.
The portions of the lantern shown in broken lines having unequal length segments illustrate the boundary of the claimed design and form no part of the claimed design. The remainder of the broken lines show portions of the article which form no part of the claimed design.

1 Claim, 4 Drawing Sheets



(56)

References Cited

U.S. PATENT DOCUMENTS

D546,488 S	7/2007	Poon	8,337,059 B2	12/2012	Barnett et al.
7,311,423 B2	12/2007	Frecska et al.	8,485,683 B2	7/2013	Popper et al.
D559,418 S	1/2008	Poon	8,511,847 B2	8/2013	Sharrah et al.
D610,283 S	2/2010	Loibl	D694,445 S	11/2013	Shiu
7,699,491 B2	4/2010	Sharrah et al.	D698,959 S *	2/2014	Shen D26/46
7,717,586 B2	5/2010	Tucker	8,641,241 B2	2/2014	Farmer
D620,627 S *	7/2010	Kovacik D26/42	8,674,266 B2	3/2014	Fis-Menache
D621,536 S	8/2010	Lee	D701,986 S *	4/2014	Goeckel D26/42
D622,430 S	8/2010	Chilton	D707,378 S	6/2014	Shiu
7,891,841 B2	2/2011	Levine	D708,376 S	7/2014	Crowe et al.
7,967,466 B2	6/2011	Chu	8,791,640 B2	7/2014	Steele et al.
D643,560 S	8/2011	Tompkin	D711,573 S *	8/2014	Payne D26/42
8,029,159 B2	10/2011	Chen	D725,300 S	3/2015	Dalton
D648,466 S *	11/2011	Hickman D26/42	D726,354 S	4/2015	Davies
8,075,163 B2	12/2011	Xiao et al.	D737,488 S	8/2015	Chen
8,096,684 B2	1/2012	Salm et al.	D742,052 S	10/2015	Dorman
D655,431 S	3/2012	Leen	D748,836 S	2/2016	Zhang
D658,324 S	4/2012	Reinmann et al.	D841,849 S *	2/2019	Ladnier D26/38
D661,417 S	6/2012	Kung	D844,870 S *	4/2019	Dorman D26/40
8,201,974 B1	6/2012	Smith et al.	2012/0057333 A1	3/2012	Bhardwaj et al.
			2012/0079755 A1	4/2012	Torres et al.
			2014/0204218 A1	7/2014	Gebhard et al.

* cited by examiner

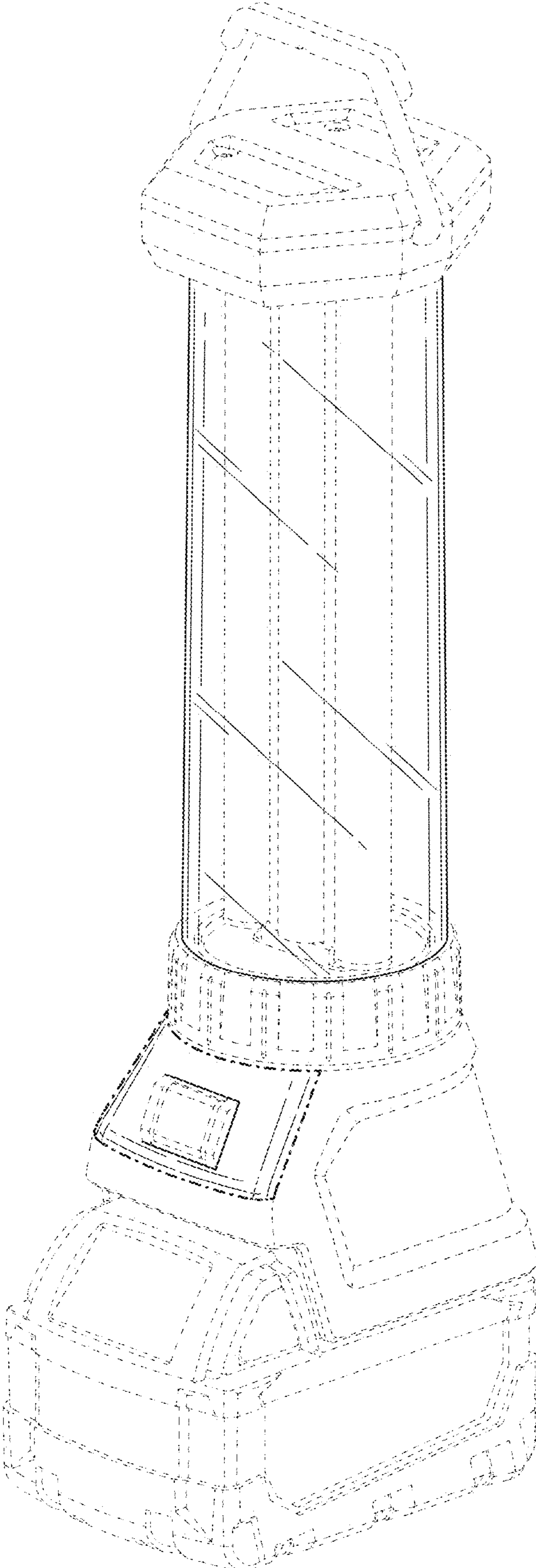


FIG. 1

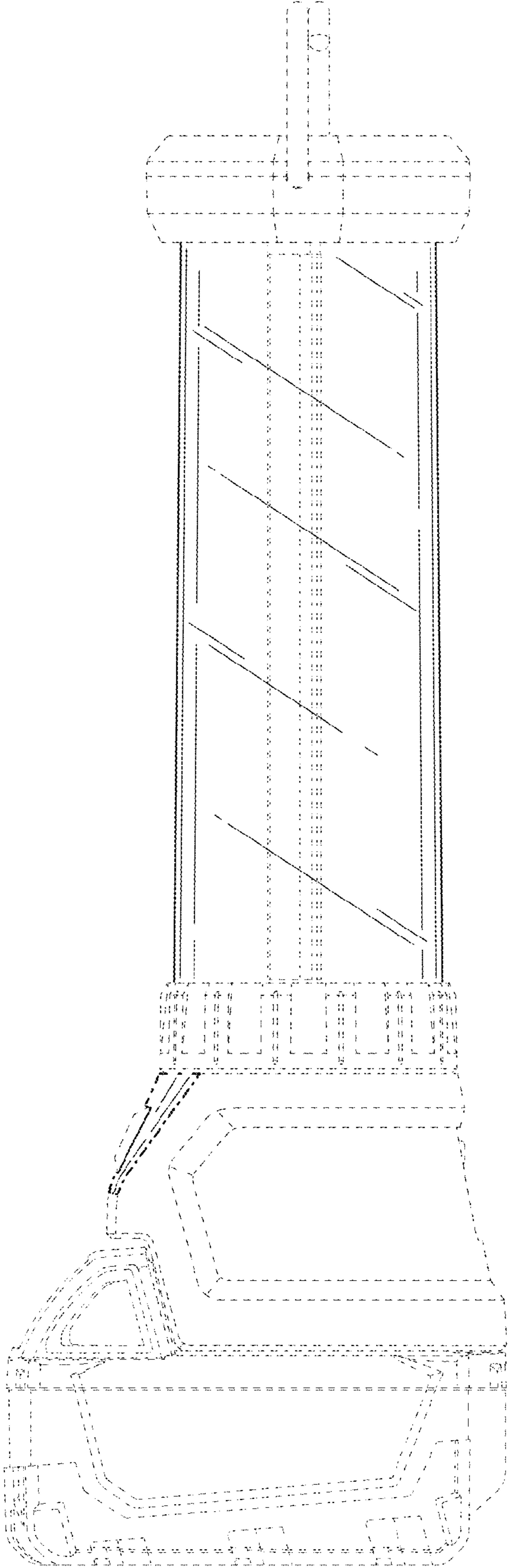


FIG. 2

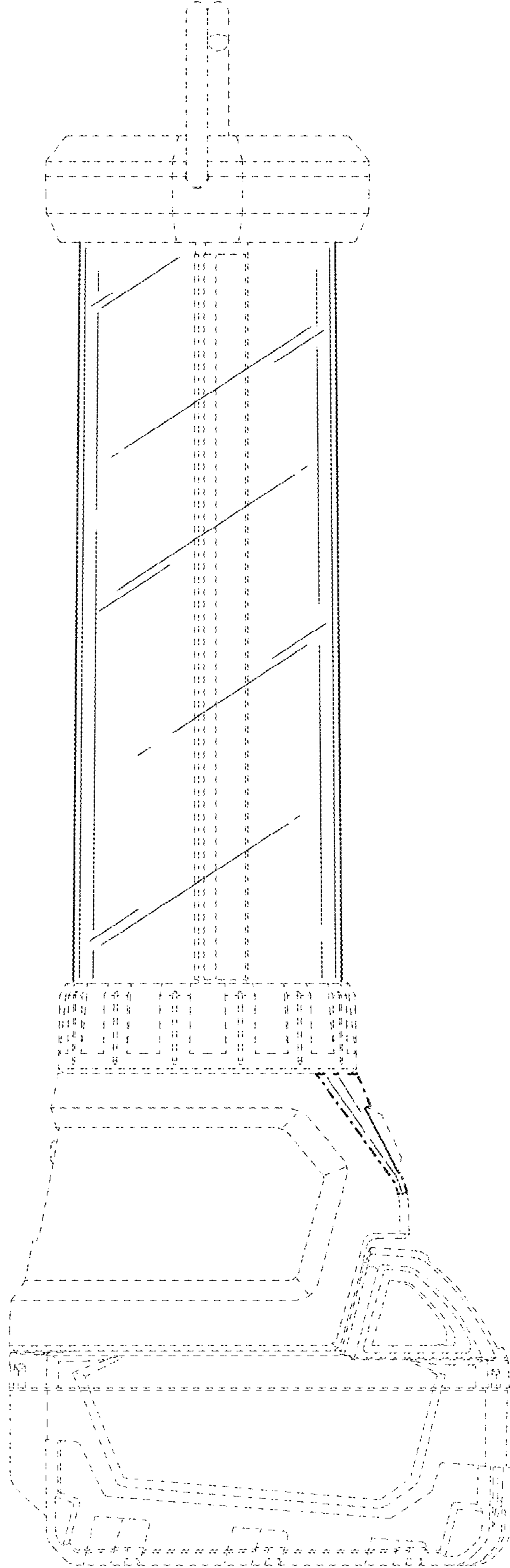


FIG. 3

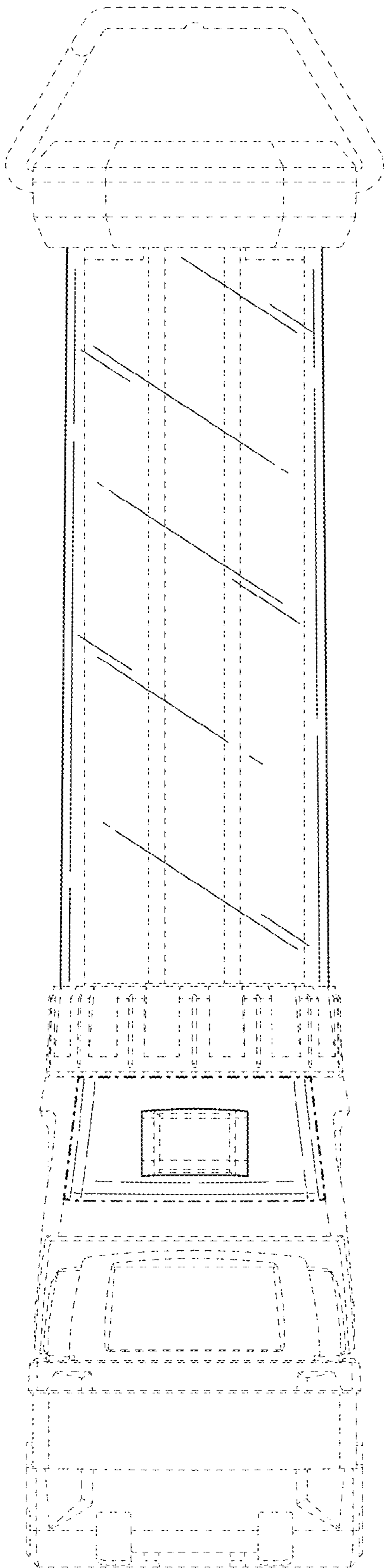


FIG. 4

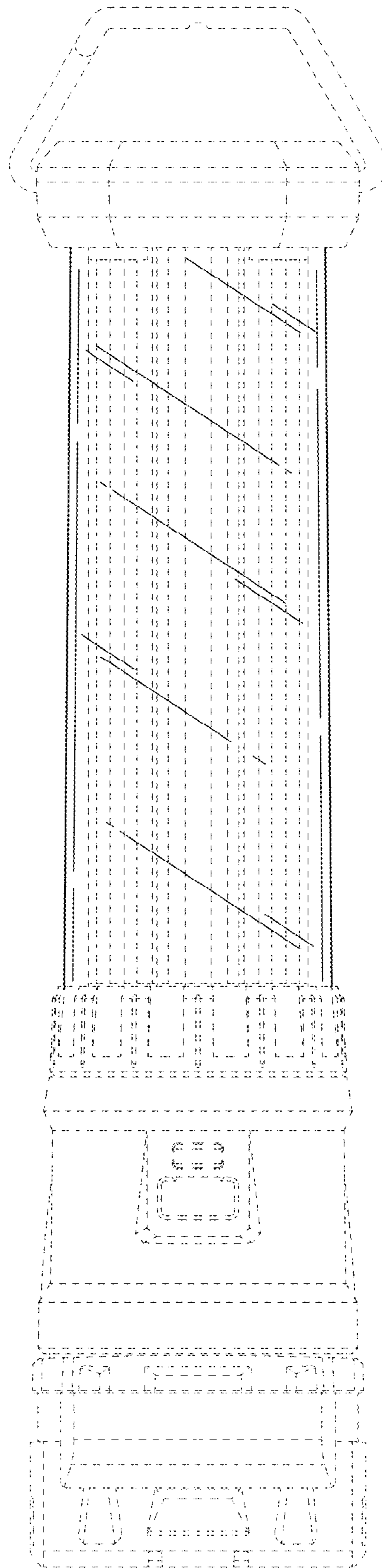


FIG. 5

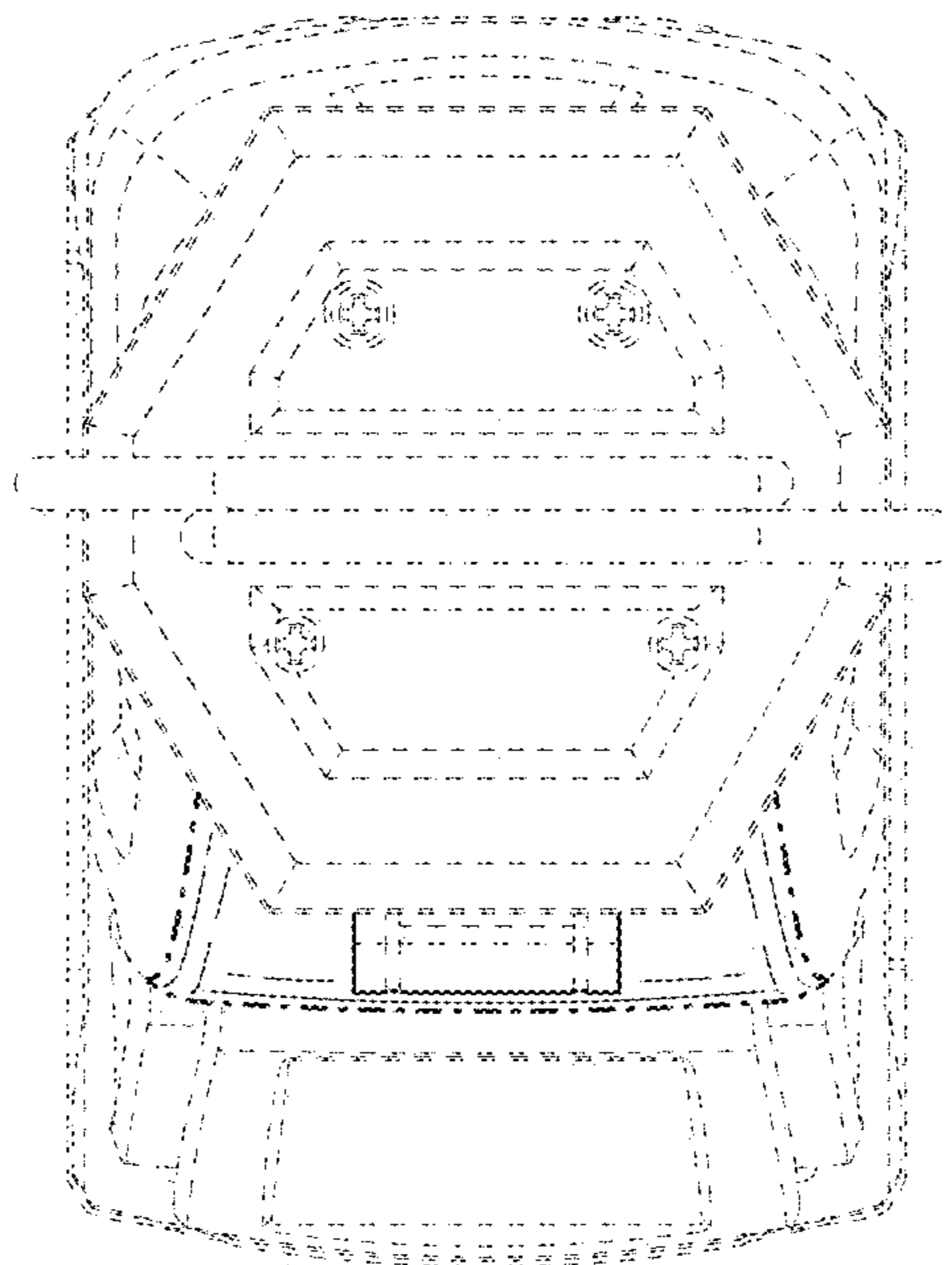


FIG. 6