



US00D899643S

(12) **United States Design Patent** (10) **Patent No.:** **US D899,643 S**
Shackelford (45) **Date of Patent:** **** Oct. 20, 2020**

(54) **PORTABLE LIGHT WITH REFLECTIVE STRUCTURE**

6,012,820 A * 1/2000 Weber A63B 15/00
 362/102
 D523,981 S * 6/2006 Galli D26/37
 7,182,483 B2 * 2/2007 Stern D04D 7/06
 28/147
 7,308,864 B1 * 12/2007 Catner G09F 17/00
 116/173

(71) Applicant: **Gina Shackelford**, Chicago, IL (US)

(72) Inventor: **Gina Shackelford**, Chicago, IL (US)

(**) Term: **15 Years**

* cited by examiner

(21) Appl. No.: **29/671,695**

Primary Examiner — Abraham Bahta

(22) Filed: **Nov. 29, 2018**

(74) *Attorney, Agent, or Firm* — Genna S. Hibbs; Hibbs Law, LLC

(51) **LOC (12) Cl.** **26-02**

(52) **U.S. Cl.**
USPC **D26/37**

(57) **CLAIM**

(58) **Field of Classification Search**
 USPC D26/1, 24, 25, 43, 60, 110, 113, 28, 37,
 D26/61, 85, 102, 138–140, 39;
 362/249.14, 311.02, 311.13
 CPC F21S 4/00; F21S 4/10; F21S 4/15; F21S
 4/26; F21S 2/00; F21V 11/02; F21V
 11/06; F21V 17/10; F21V 17/16; F21V
 23/00; F21V 23/04; F21V 33/00; F21W
 2121/00; F21W 2121/04; F21Y 2115/10;
 F21L 4/00; F21L 4/02; F21L 4/04; F21L
 4/08

The ornamental design for a portable light with reflective structure, as shown and described.

See application file for complete search history.

DESCRIPTION

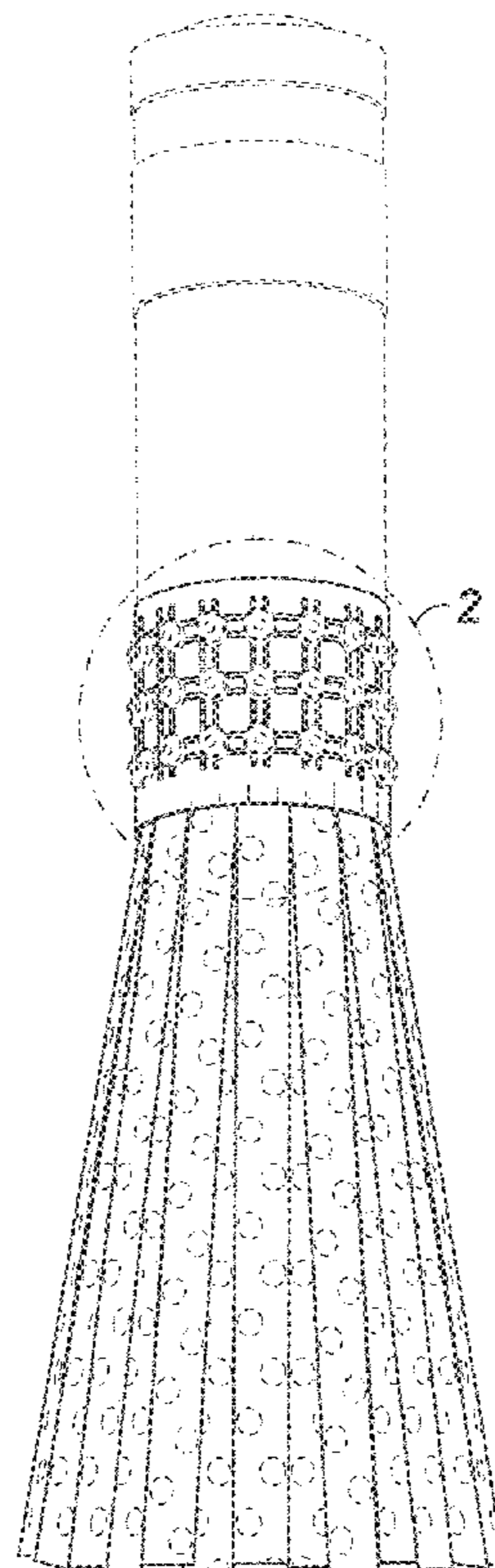
(56) **References Cited**

U.S. PATENT DOCUMENTS

D278,519 S * 4/1985 Caldwell D10/111
 5,079,046 A * 1/1992 Kessler D04D 7/06
 116/63 P

FIG. 1 is a front view of the portable light with reflective structure showing my new design;
 FIG. 2 is an enlarged portion taken from the circumscribed area marked 2 in FIG. 1;
 FIG. 3 is a top view of FIG. 1; and,
 FIG. 4 is a bottom view as seen from underneath of the reflective structure in FIG. 1.
 The broken line showing of portions of the portable light with reflective structure is included for the purpose of illustrating environmental structure and forms no part of the claimed design.

1 Claim, 2 Drawing Sheets



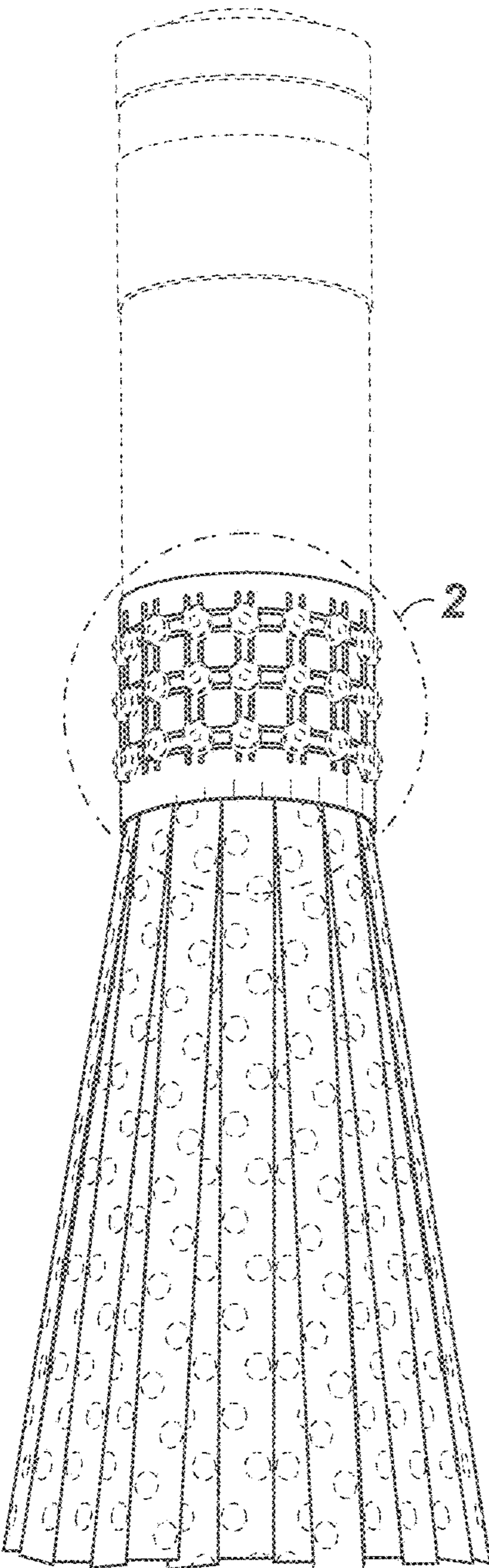


FIG. 1

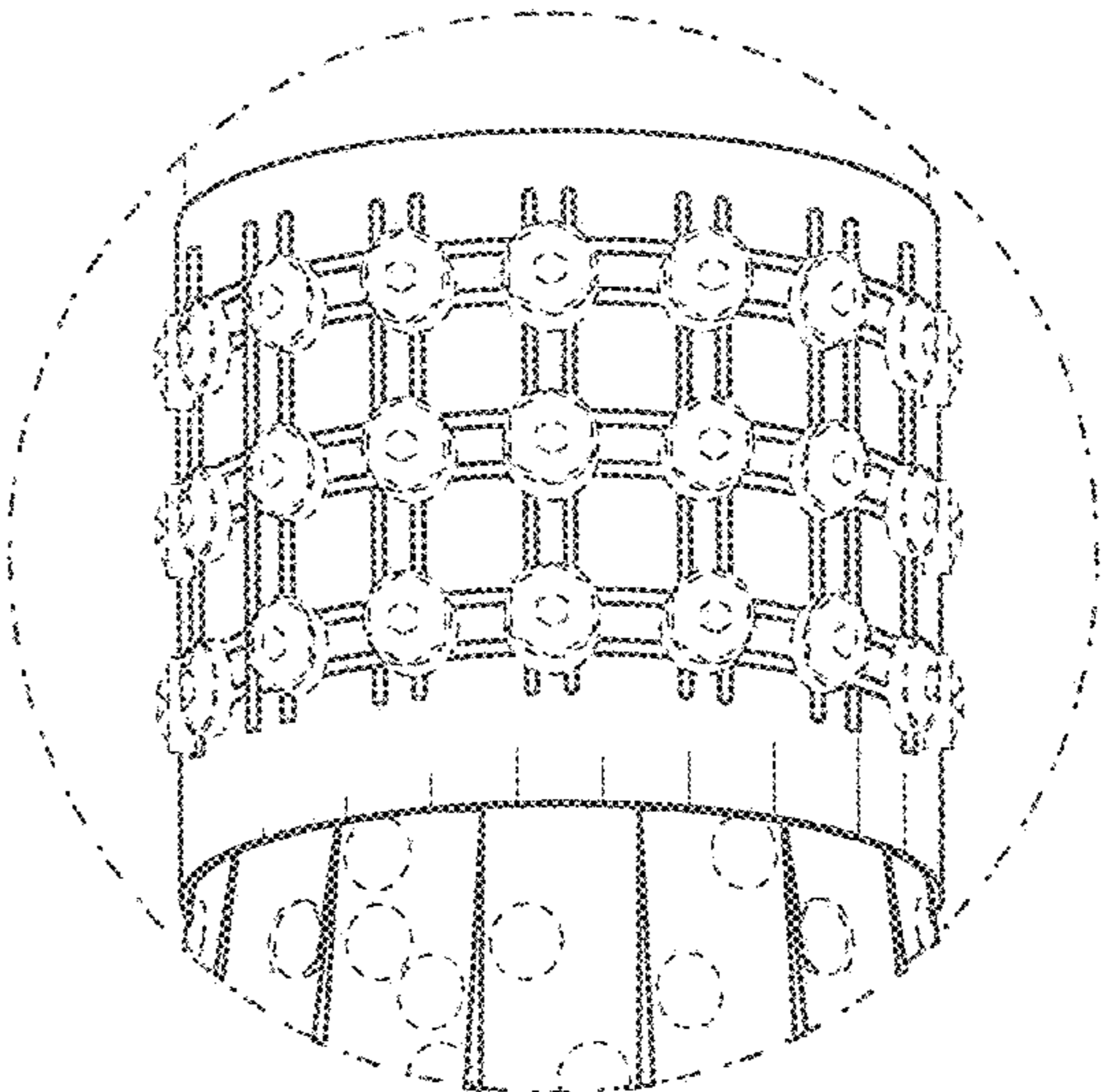


FIG. 2

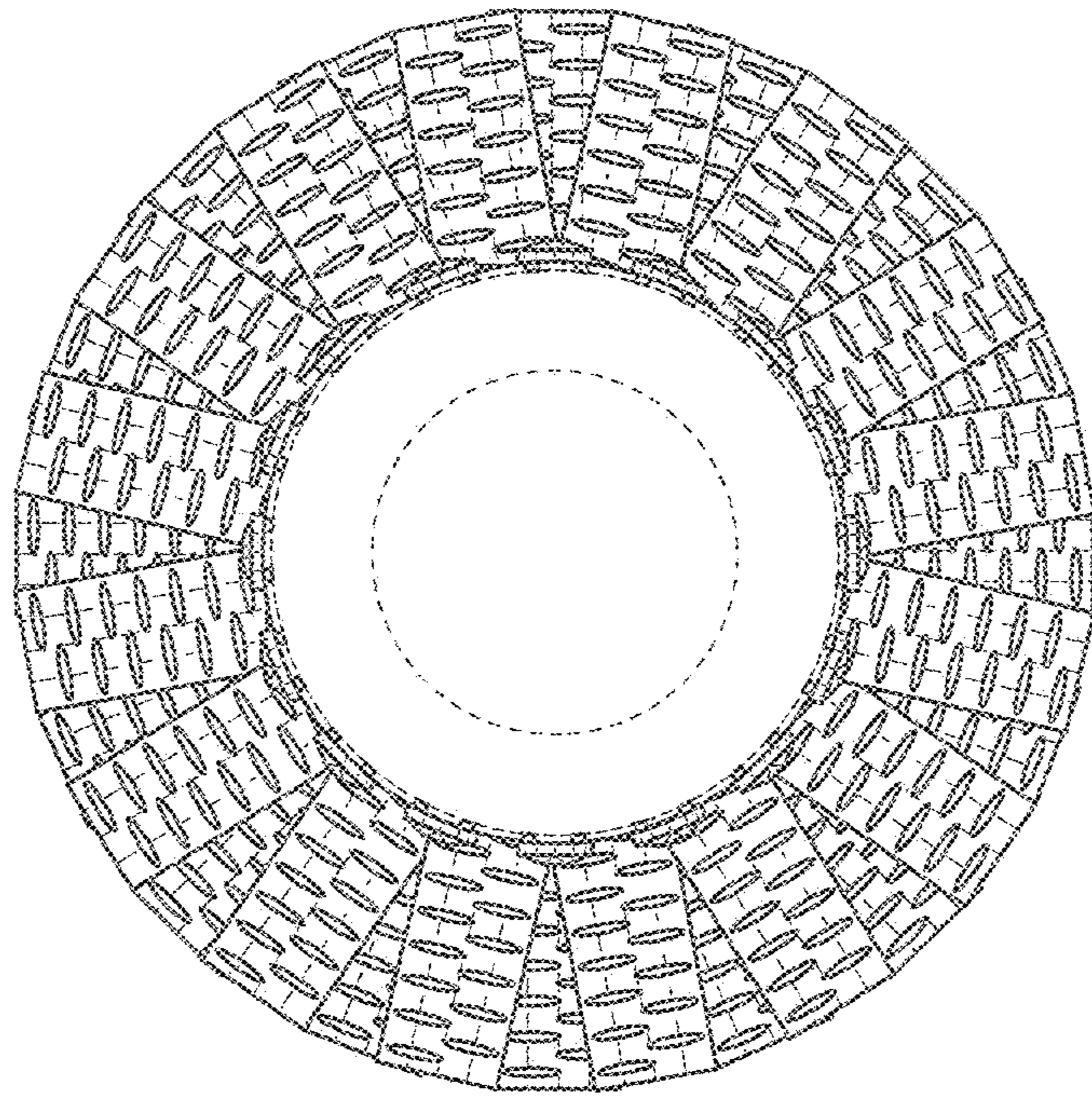


FIG. 3

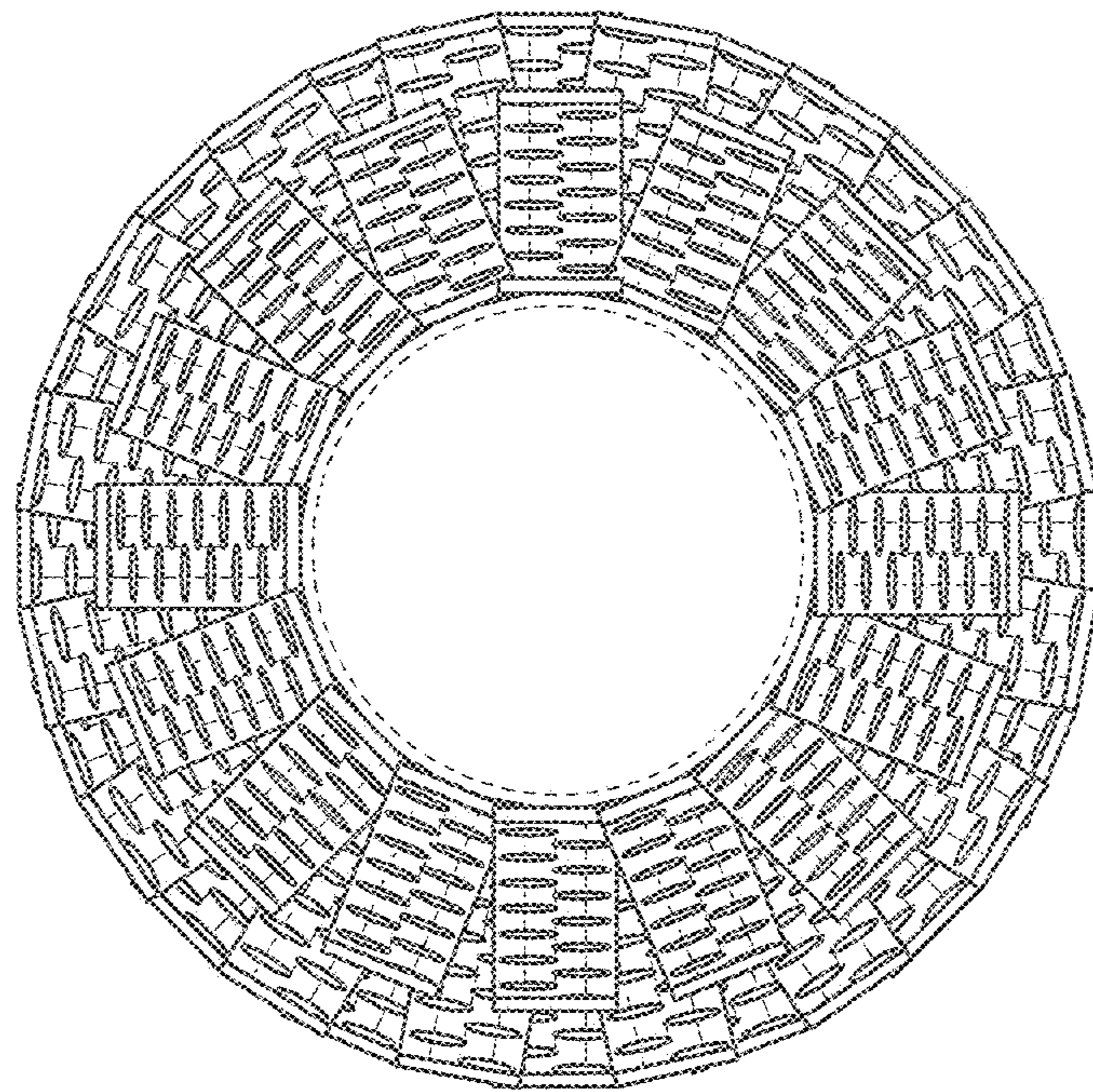


FIG. 4