



US00D899640S

(12) **United States Design Patent** (10) **Patent No.:** **US D899,640 S**  
**Li** (45) **Date of Patent:** **\*\* Oct. 20, 2020**

(54) **LED LAMP**  
(71) Applicant: **SHENZHEN SANGSHEN E-COMMERCE CO., LTD.**, Shenzhen (CN)  
(72) Inventor: **Cheng-Hao Li**, Shenzhen (CN)  
(73) Assignee: **SHENZHEN SANGSHEN E-COMMERCE CO., LTD.**, Shenzhen (CN)  
(\*\*) Term: **15 Years**  
(21) Appl. No.: **29/693,014**  
(22) Filed: **May 30, 2019**  
(51) **LOC (12) Cl.** ..... **26-06**  
(52) **U.S. Cl.**  
USPC ..... **D26/28; D26/24**  
(58) **Field of Classification Search**  
USPC ..... D26/24, 28, 113, 120, 128; D12/400  
CPC ..... F21S 48/10; F21S 48/225; F21S 48/1233; F21S 48/1266; F21S 48/2268; F21S 41/19; F21S 41/141; F21S 41/192; F21S 41/194; F21S 45/47; F21S 45/48; F21V 19/00; F21V 17/10; F21V 29/70; F21V 29/503; F21K 19/00  
See application file for complete search history.

(56) **References Cited**  
U.S. PATENT DOCUMENTS  
4,879,491 A \* 11/1989 Hirozumi ..... F21S 41/192 313/318.1  
5,515,245 A \* 5/1996 Bobcza ..... F21S 41/194 362/549  
D769,489 S \* 10/2016 Ma ..... D26/28  
D769,490 S \* 10/2016 Ma ..... D26/28  
D825,085 S \* 8/2018 Jian ..... D26/28  
10,161,620 B2 \* 12/2018 Jiang ..... F21K 9/235  
10,260,726 B2 \* 4/2019 Wang ..... F21S 41/151

D862,741 S \* 10/2019 Cai ..... D26/2  
10,458,613 B2 \* 10/2019 Vincens ..... F21S 41/151  
10,548,200 B1 \* 1/2020 Xu ..... F21K 9/278  
D887,042 S \* 6/2020 Jiang ..... D26/28  
D889,000 S \* 6/2020 Zheng ..... D26/28  
D890,370 S \* 7/2020 Pan ..... D26/28  
D890,963 S \* 7/2020 Lan ..... D26/28  
2006/0040566 A1 \* 2/2006 Thomas ..... F21S 45/40 439/699.2  
2009/0002997 A1 \* 1/2009 Koester ..... F21V 29/763 362/294  
2012/0170286 A1 \* 7/2012 Bodem ..... F21S 41/192 362/362  
2014/0003058 A1 \* 1/2014 Long ..... F21V 5/04 362/294  
2014/0003064 A1 \* 1/2014 Long ..... F21V 17/10 362/365

(Continued)

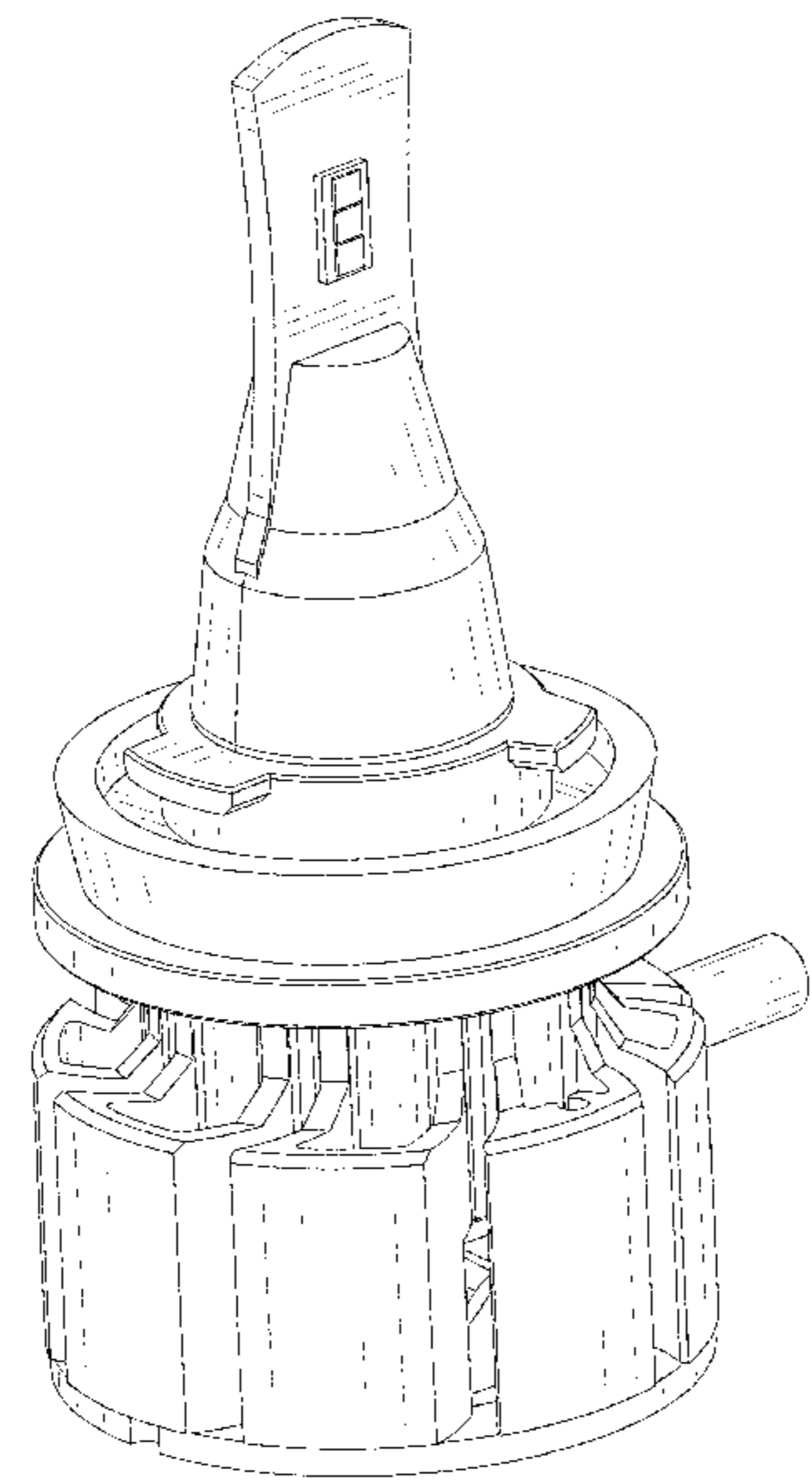
*Primary Examiner* — Wan Laymon  
*Assistant Examiner* — Clint A Samuel  
(74) *Attorney, Agent, or Firm* — ScienBiziP, P.C.

(57) **CLAIM**  
The ornamental design for a LED lamp, as shown and described.

**DESCRIPTION**

FIG. 1 is a first perspective view of a LED lamp, showing my design.  
FIG. 2 is a second perspective view thereof.  
FIG. 3 is a front elevation view thereof.  
FIG. 4 is a rear elevation view thereof.  
FIG. 5 is a left side elevation view thereof.  
FIG. 6 is a right side elevation view thereof.  
FIG. 7 is a top plan view thereof; and,  
FIG. 8 is a bottom plan view thereof.  
The broken lines shown in drawings are included for the purpose of illustrating portions of the LED lamp and form no part of the claimed design.

**1 Claim, 8 Drawing Sheets**



(56)

**References Cited**

U.S. PATENT DOCUMENTS

2015/0323169 A1\* 11/2015 Kuriyama ..... F21V 29/85  
362/294  
2016/0215953 A1\* 7/2016 Chai ..... F21V 29/83  
2018/0023796 A1\* 1/2018 Jiang ..... F21K 9/237  
362/249.02  
2018/0142879 A1\* 5/2018 Elwell ..... F21S 41/141  
2019/0360681 A1\* 11/2019 Zhou ..... F21V 29/70

\* cited by examiner

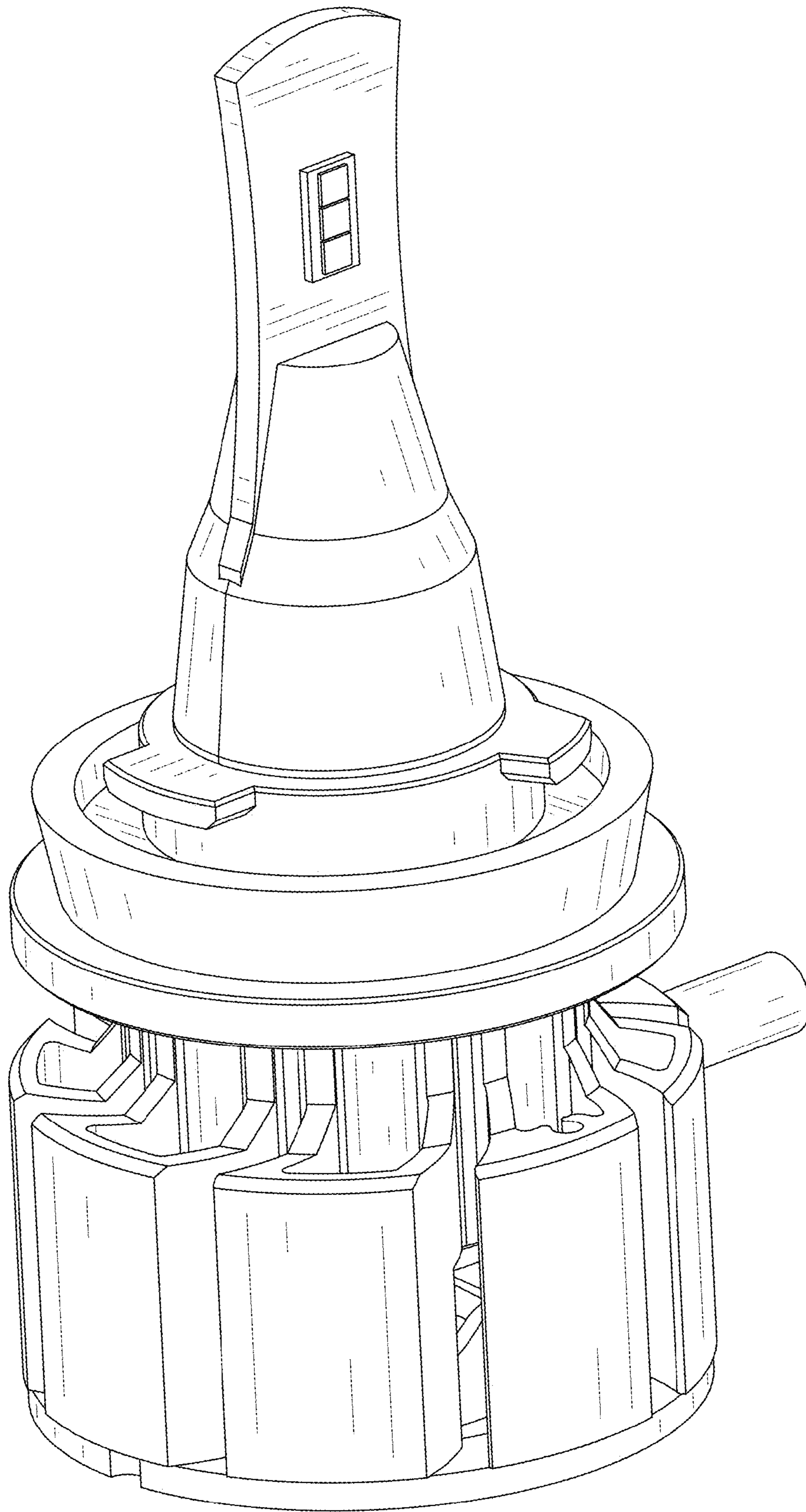


FIG. 1

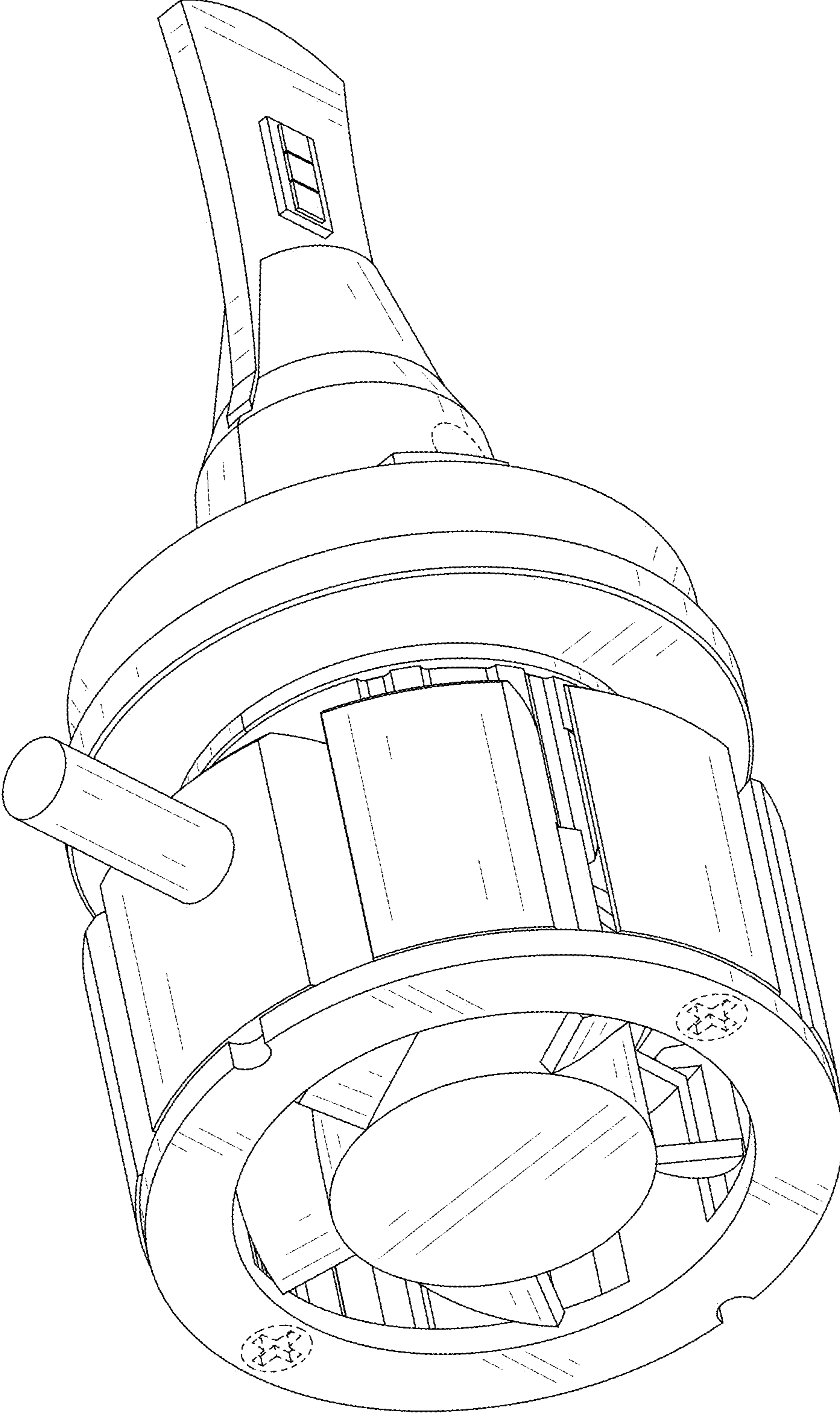


FIG. 2

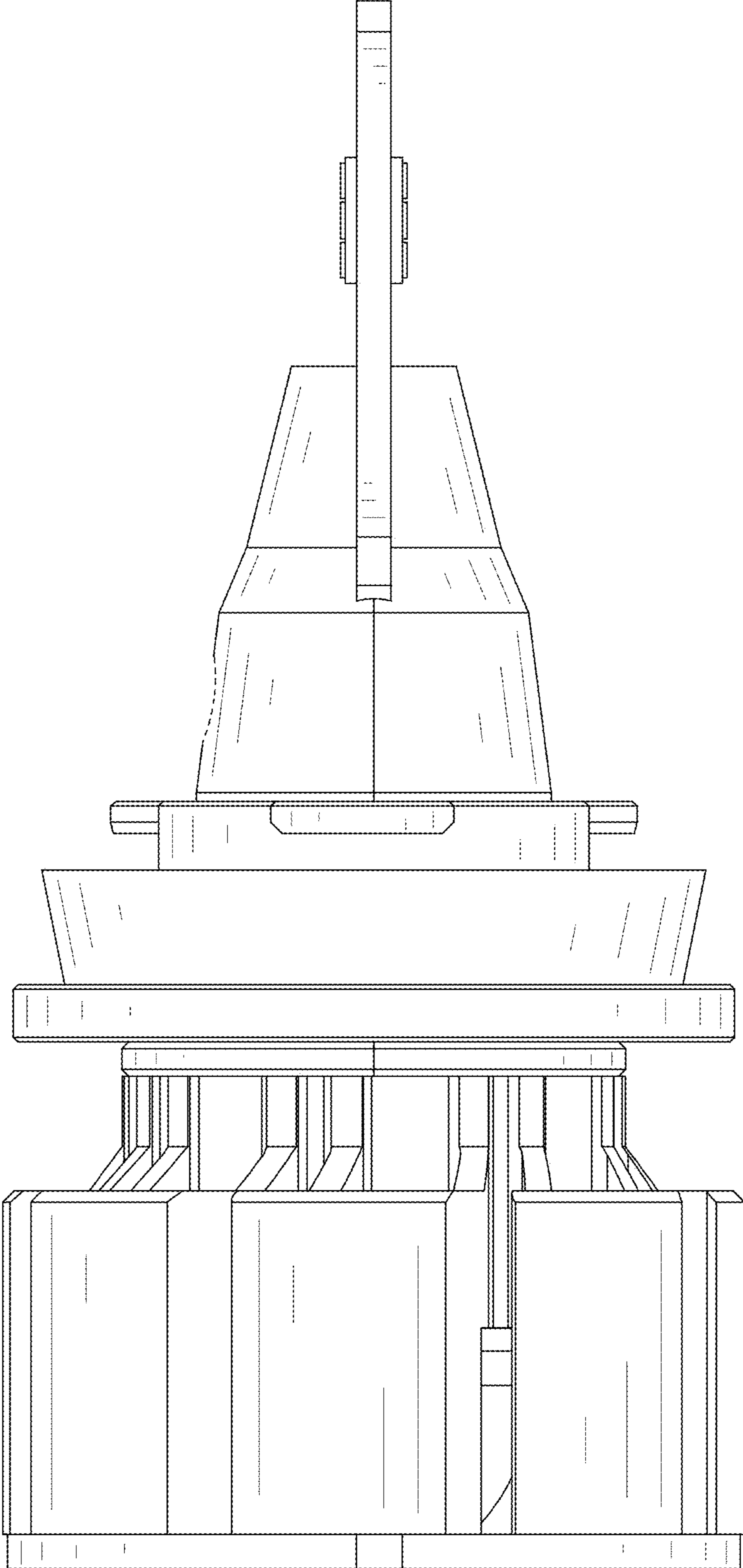


FIG. 3

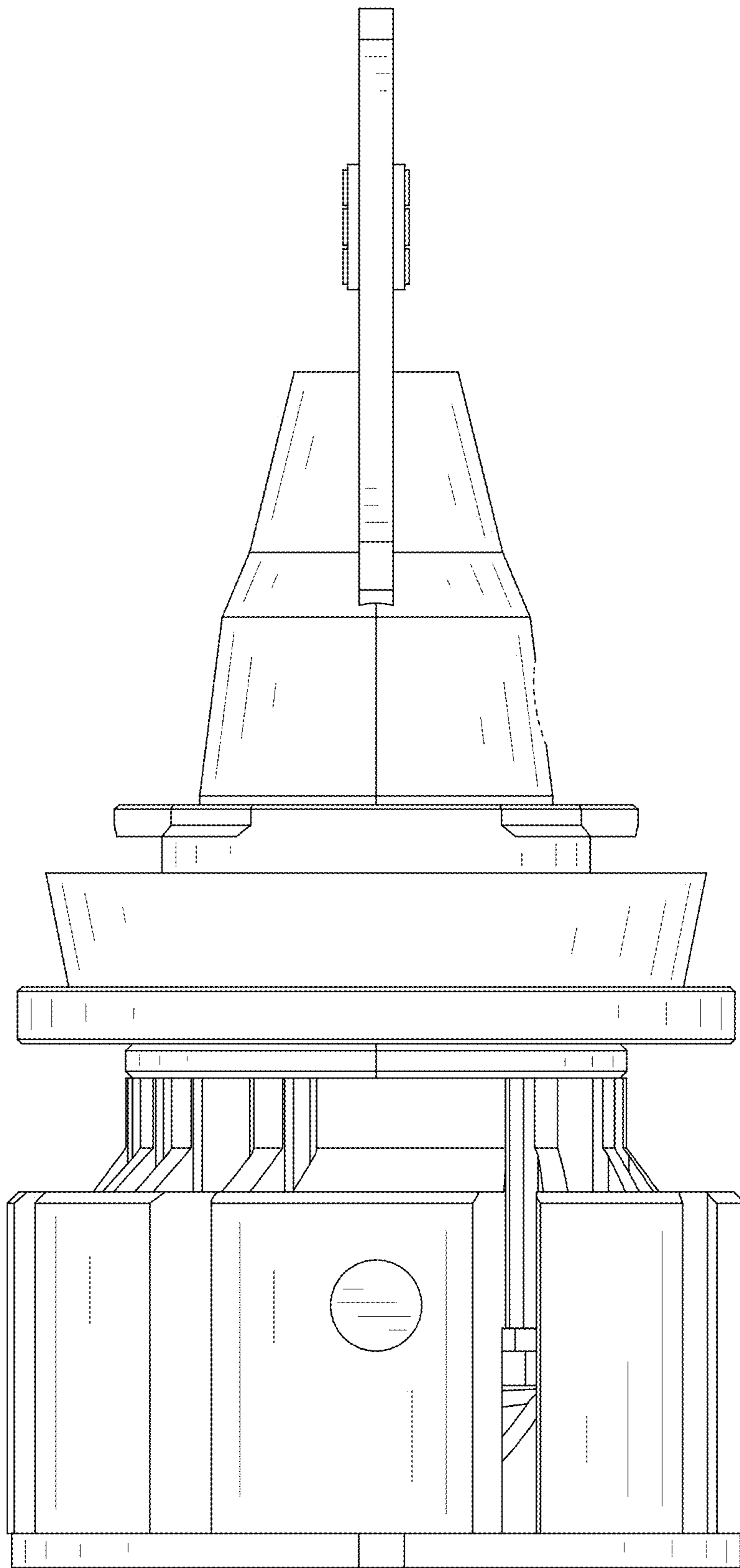


FIG. 4

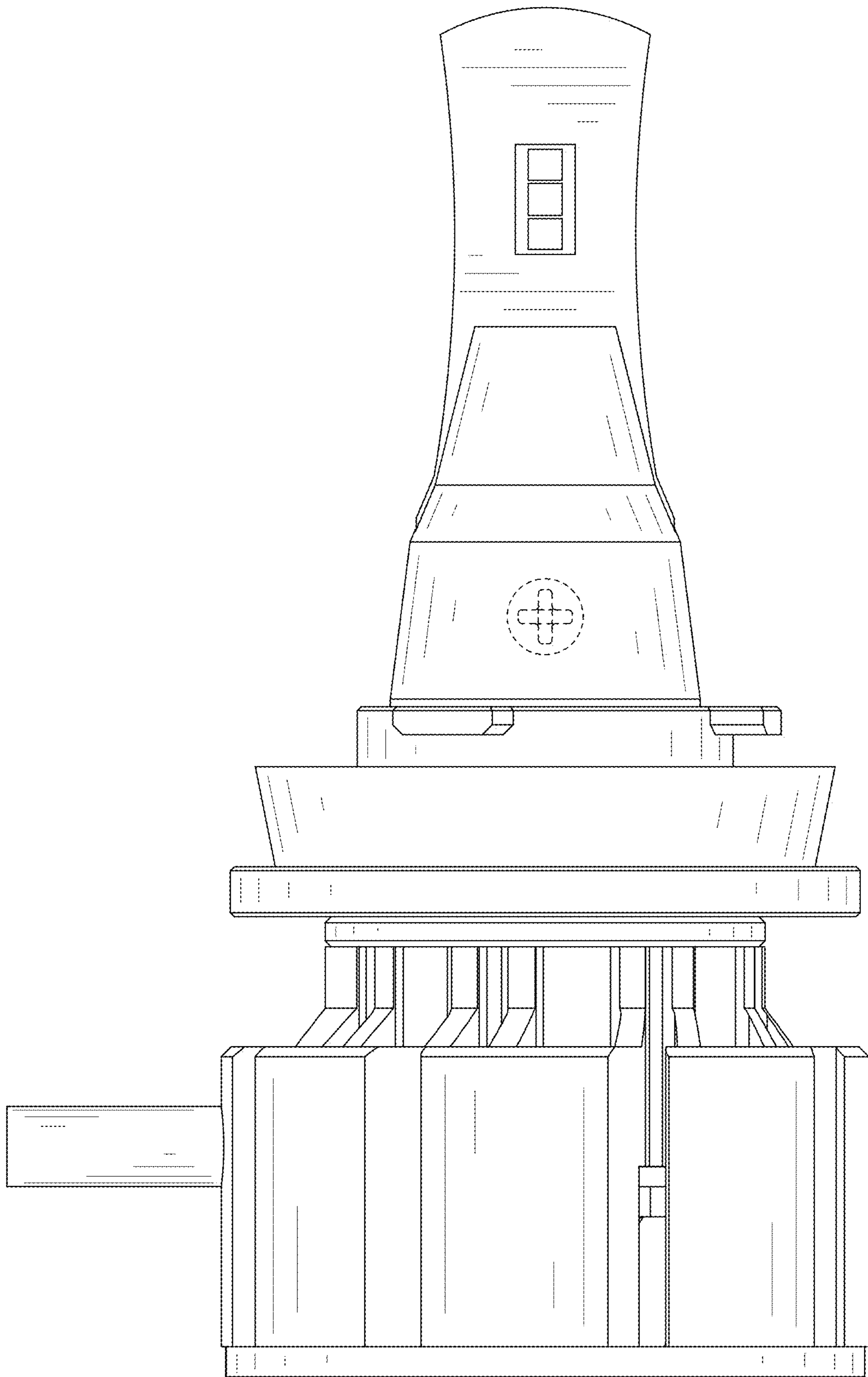


FIG. 5

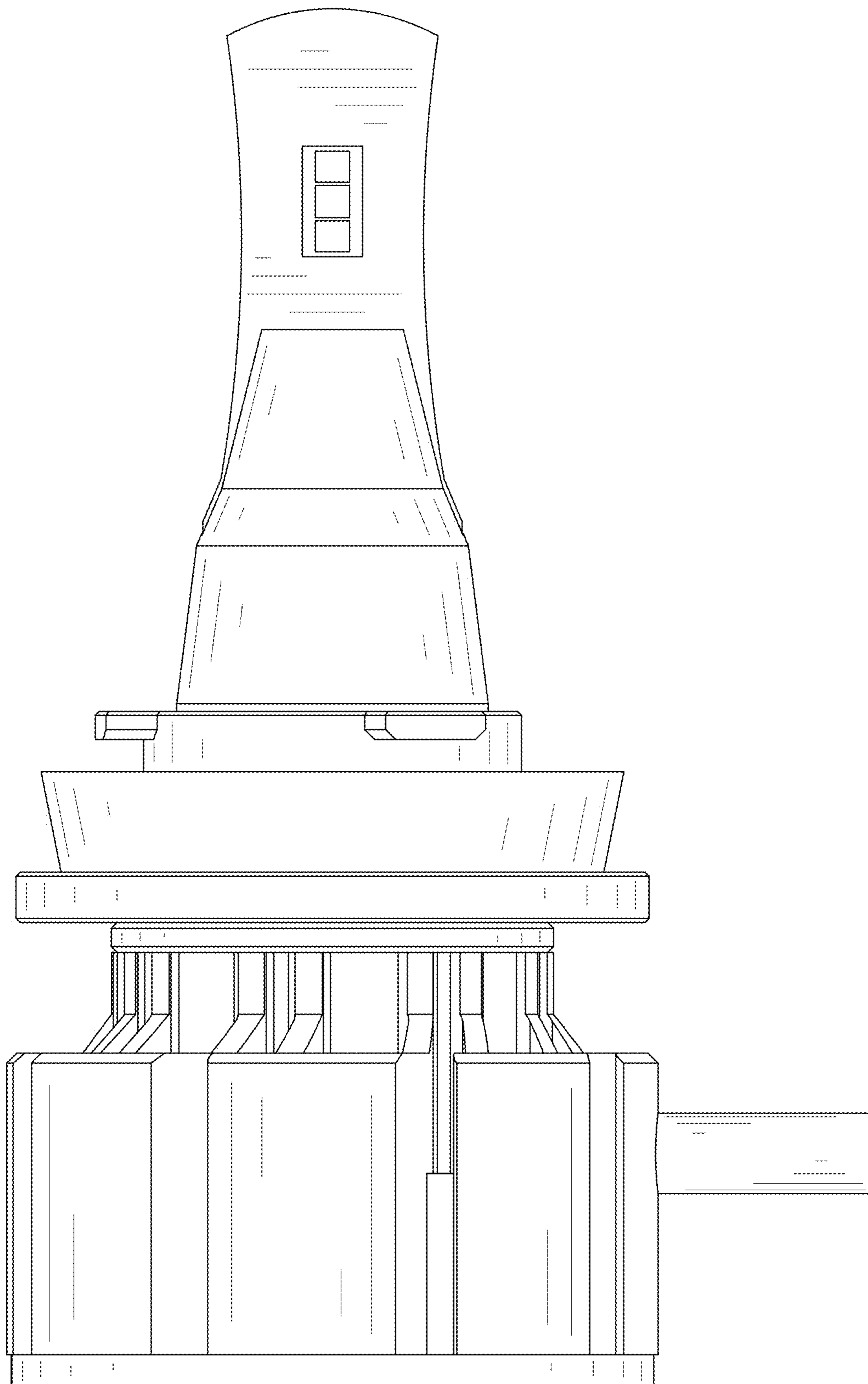


FIG. 6



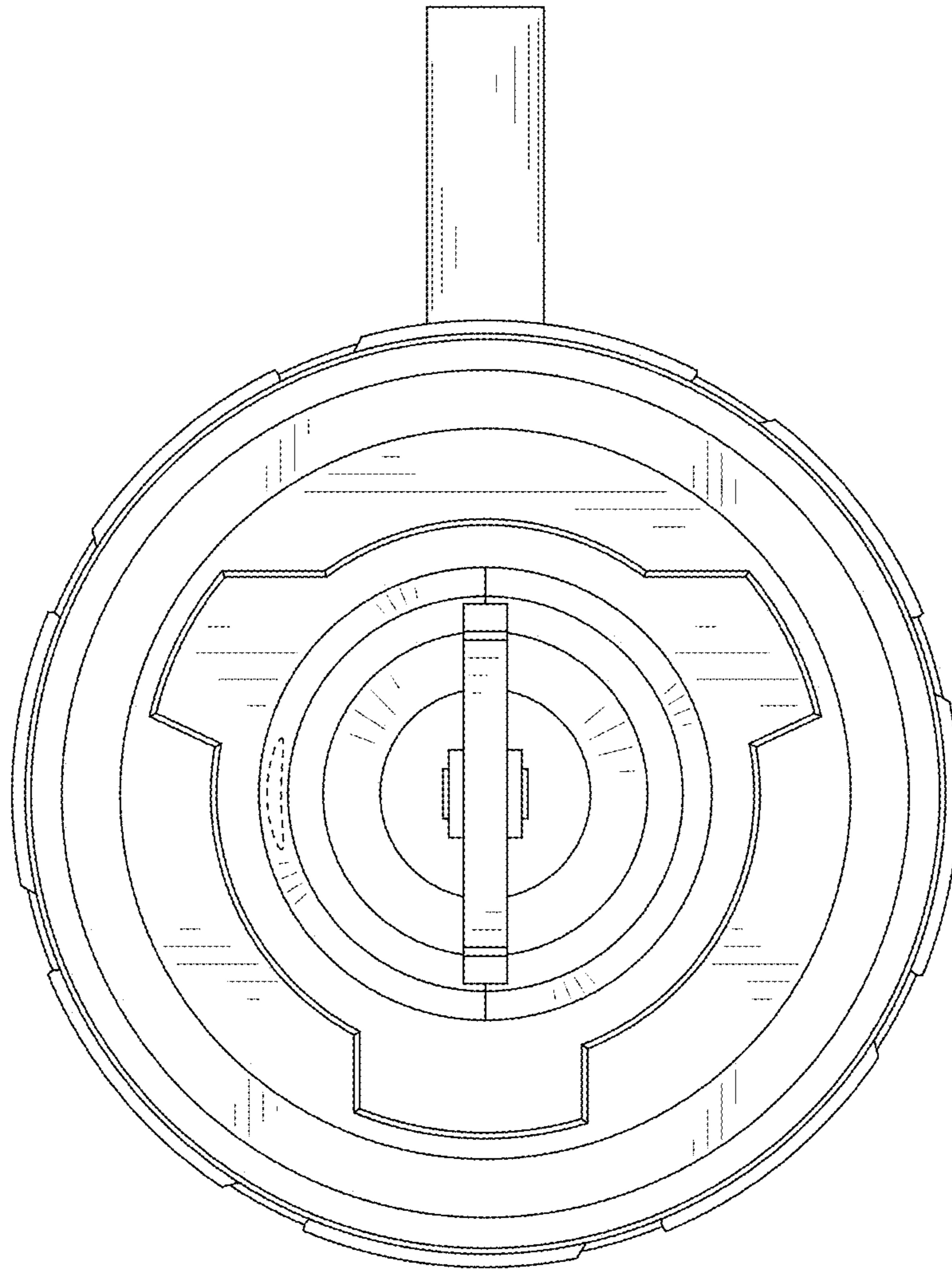


FIG. 7

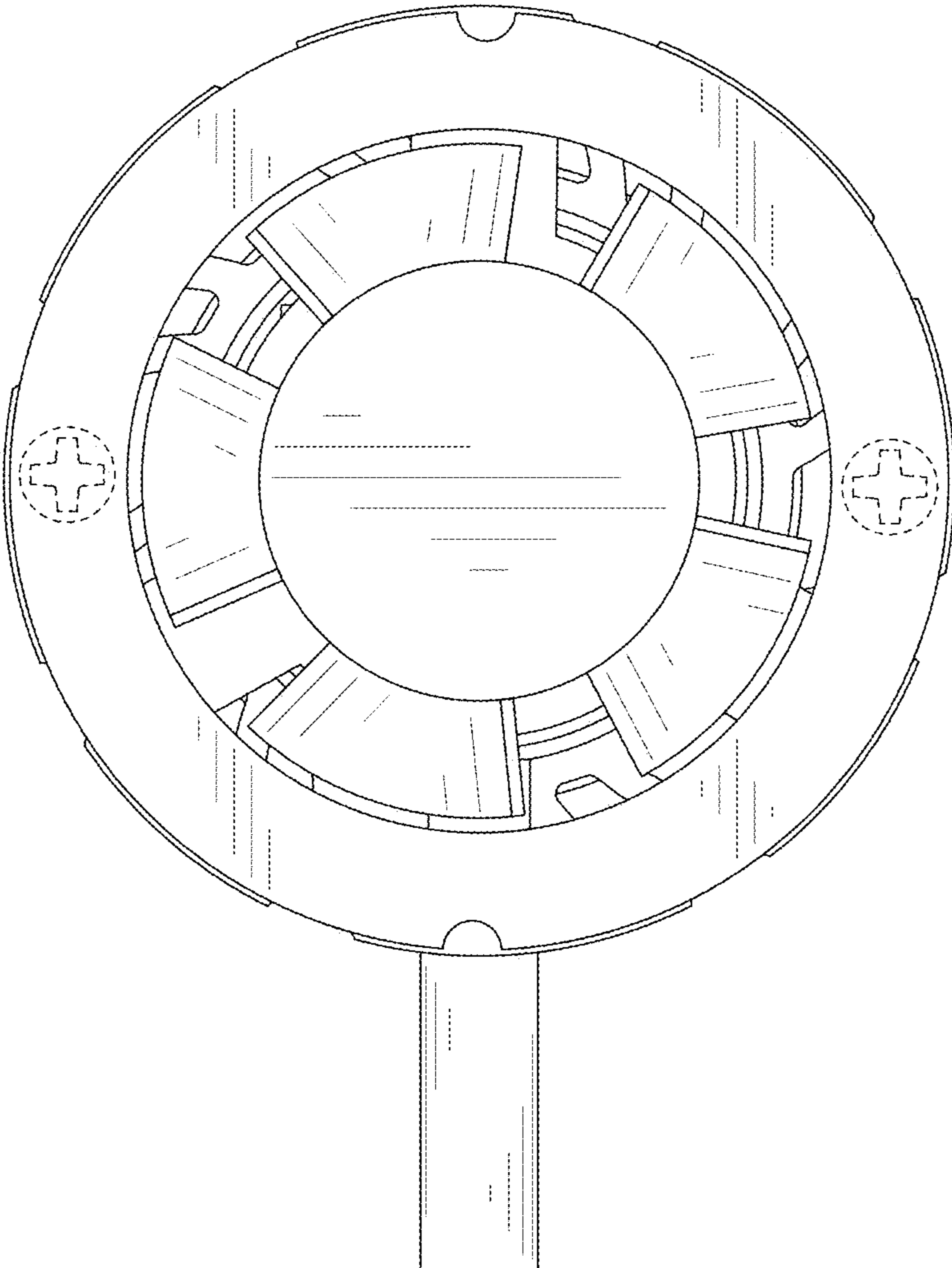


FIG. 8