

US00D899639S

(12) **United States Design Patent** (10) **Patent No.:** **US D899,639 S**  
**Li** (45) **Date of Patent:** **\*\* Oct. 20, 2020**

(54) **LED LAMP**  
(71) Applicant: **SHENZHEN SANGSHEN E-COMMERCE CO., LTD.**, Shenzhen (CN)  
(72) Inventor: **Cheng-Hao Li**, Shenzhen (CN)  
(73) Assignee: **SHENZHEN SANGSHEN E-COMMERCE CO., LTD.**, Shenzhen (CN)  
(\*\*) Term: **15 Years**

D862,741 S \* 10/2019 Cai ..... D26/2  
10,458,613 B2 \* 10/2019 Vincens ..... F21S 41/151  
10,548,200 B1 \* 1/2020 Xu ..... F21K 9/278  
D887,042 S \* 6/2020 Jiang ..... D26/28  
D889,000 S \* 6/2020 Zheng ..... D26/28  
D890,370 S \* 7/2020 Pan ..... D26/28  
D890,963 S \* 7/2020 Lan ..... D26/28  
2006/0040566 A1 \* 2/2006 Thomas ..... F21S 45/40  
439/699.2  
2009/0002997 A1 \* 1/2009 Koester ..... F21V 29/763  
362/294  
2012/0170286 A1 \* 7/2012 Bodem ..... F21S 41/192  
362/362  
2014/0003058 A1 \* 1/2014 Long ..... F21V 5/04  
362/294

(21) Appl. No.: **29/693,013**  
(22) Filed: **May 30, 2019**  
(51) **LOC (12) Cl.** ..... **26-06**  
(52) **U.S. Cl.**  
USPC ..... **D26/28; D26/24**  
(58) **Field of Classification Search**  
USPC ..... D26/24, 28, 113, 120, 128; D12/400  
CPC ..... F21S 48/10; F21S 48/225; F21S 48/1233;  
F21S 48/1266; F21S 48/2268; F21S  
41/19; F21S 41/141; F21S 41/192; F21S  
41/194; F21S 45/47; F21S 45/48; F21V  
19/00; F21V 17/10; F21V 29/70; F21V  
29/503; F21K 19/00  
See application file for complete search history.

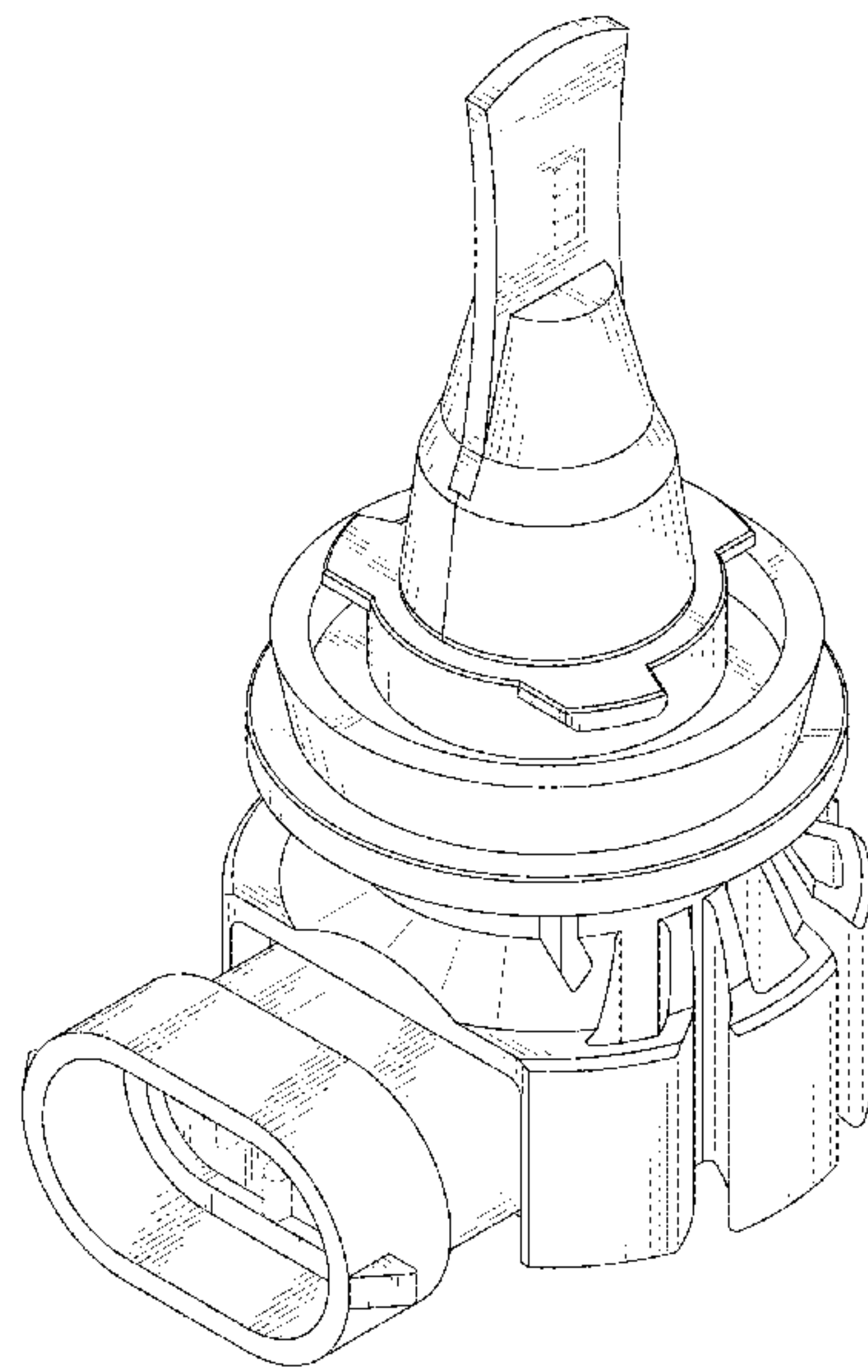
(Continued)  
*Primary Examiner* — Wan Laymon  
*Assistant Examiner* — Clint A Samuel  
(74) *Attorney, Agent, or Firm* — ScienBiziP, P.C.

(56) **References Cited**  
U.S. PATENT DOCUMENTS  
4,879,491 A \* 11/1989 Hirozumi ..... F21S 41/192  
313/318.1  
5,515,245 A \* 5/1996 Bobcza ..... F21S 41/194  
362/549  
D769,489 S \* 10/2016 Ma ..... D26/28  
D769,490 S \* 10/2016 Ma ..... D26/28  
D825,085 S \* 8/2018 Jian ..... D26/28  
10,161,620 B2 \* 12/2018 Jiang ..... F21K 9/235  
10,260,726 B2 \* 4/2019 Wang ..... F21S 41/151

(57) **CLAIM**  
The ornamental design for a LED lamp, as shown and described.

**DESCRIPTION**  
FIG. 1 is a first perspective view of a LED lamp, showing my design.  
FIG. 2 is a second perspective view thereof.  
FIG. 3 is a front elevation view thereof.  
FIG. 4 is a rear elevation view thereof.  
FIG. 5 is a left side elevation view thereof.  
FIG. 6 is a right side elevation view thereof.  
FIG. 7 is a top plan view thereof; and,  
FIG. 8 is a bottom plan view thereof.  
The broken lines immediately adjacent the shaded areas represent the bounds of the claimed design while all other broken lines are directed to environment and are for illustrative purposes only; the broken lines form no part of the claimed design.

**1 Claim, 8 Drawing Sheets**



(56)

**References Cited**

U.S. PATENT DOCUMENTS

2014/0003064 A1\* 1/2014 Long ..... F21V 17/10  
362/365  
2015/0323169 A1\* 11/2015 Kuriyama ..... F21V 29/85  
362/294  
2016/0215953 A1\* 7/2016 Chai ..... F21V 29/83  
2018/0023796 A1\* 1/2018 Jiang ..... F21K 9/237  
362/249.02  
2018/0142879 A1\* 5/2018 Elwell ..... F21S 41/141  
2019/0360681 A1\* 11/2019 Zhou ..... F21V 29/70

\* cited by examiner

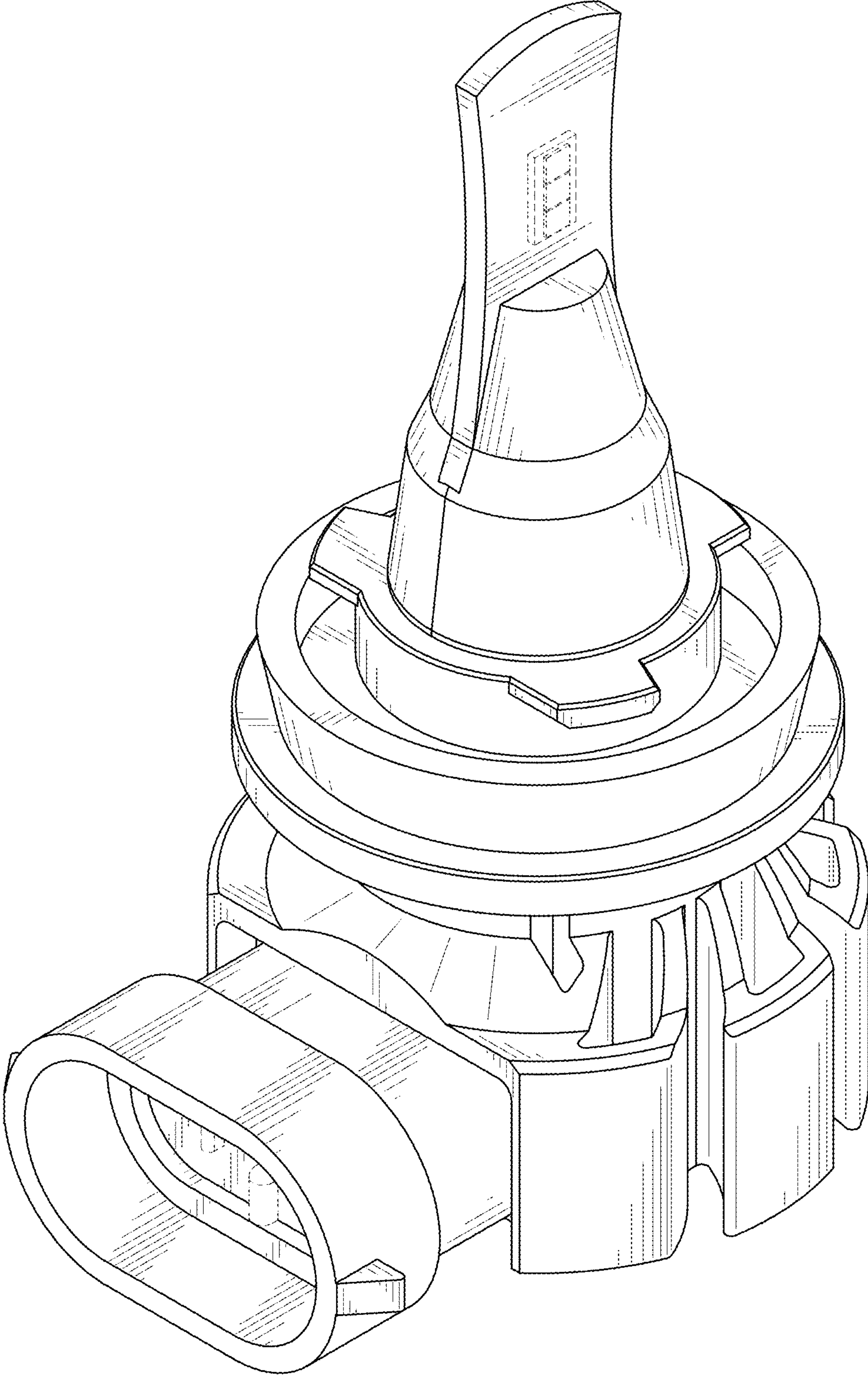


FIG. 1

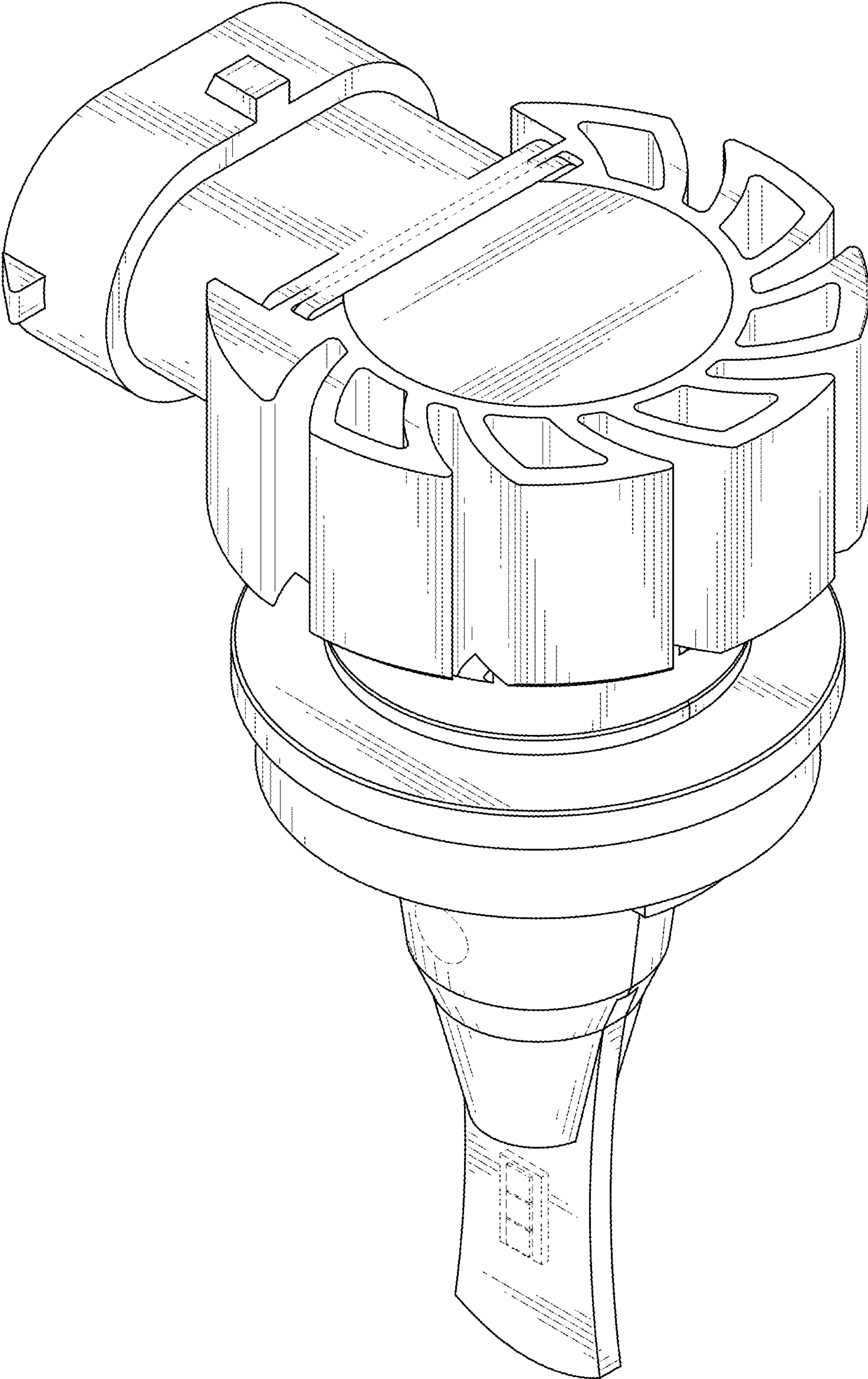


FIG. 2



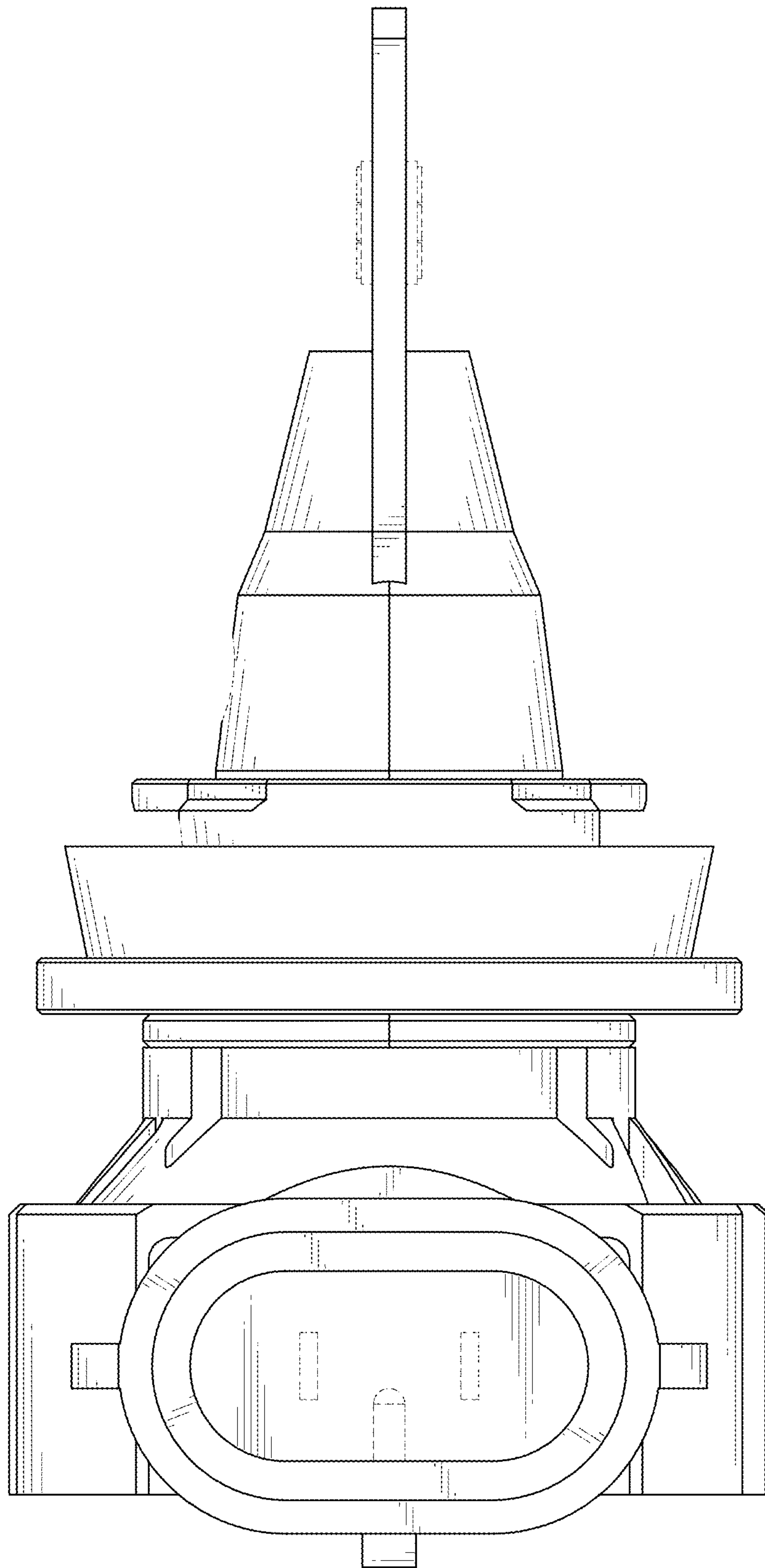


FIG. 3

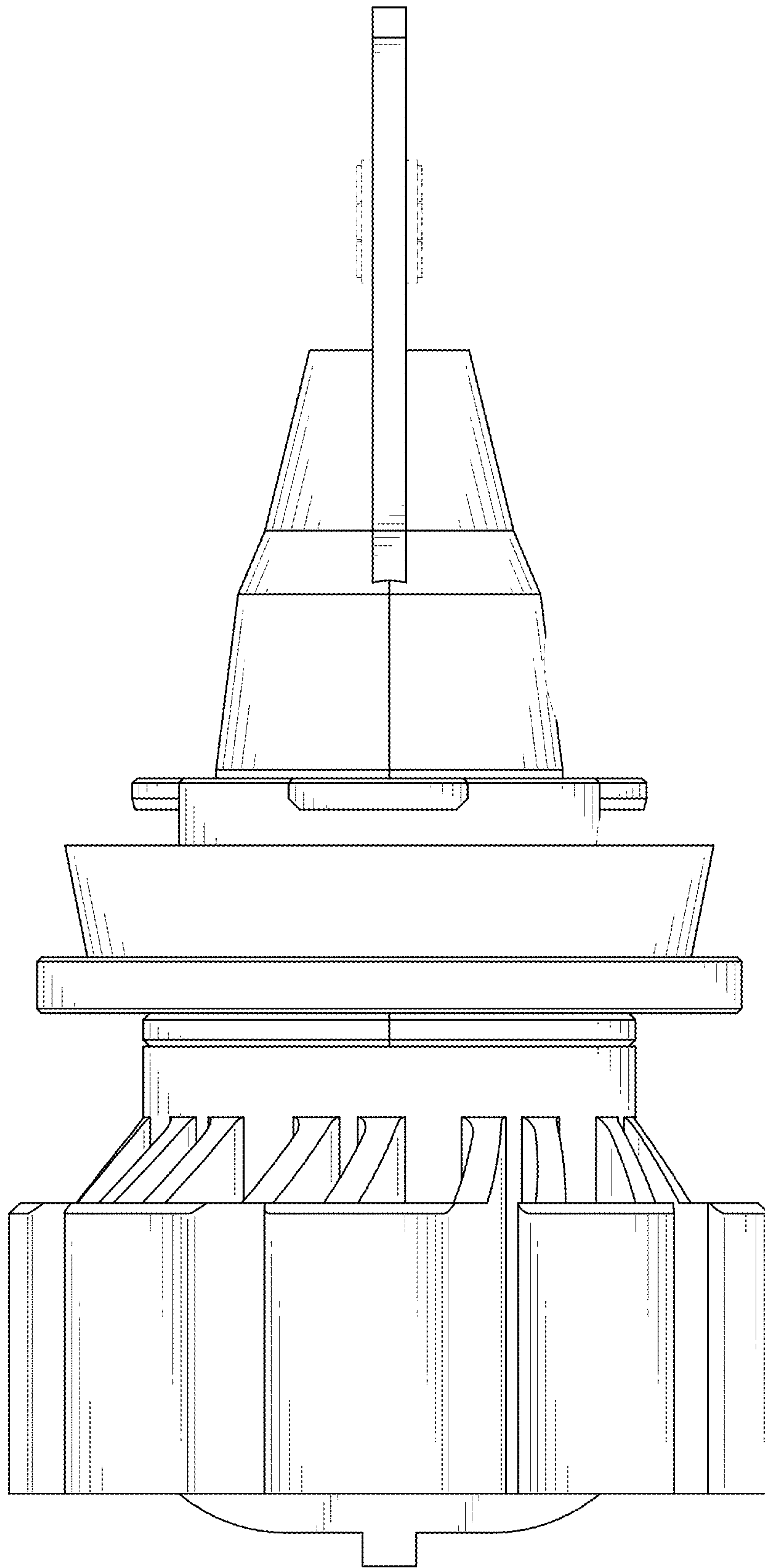


FIG. 4

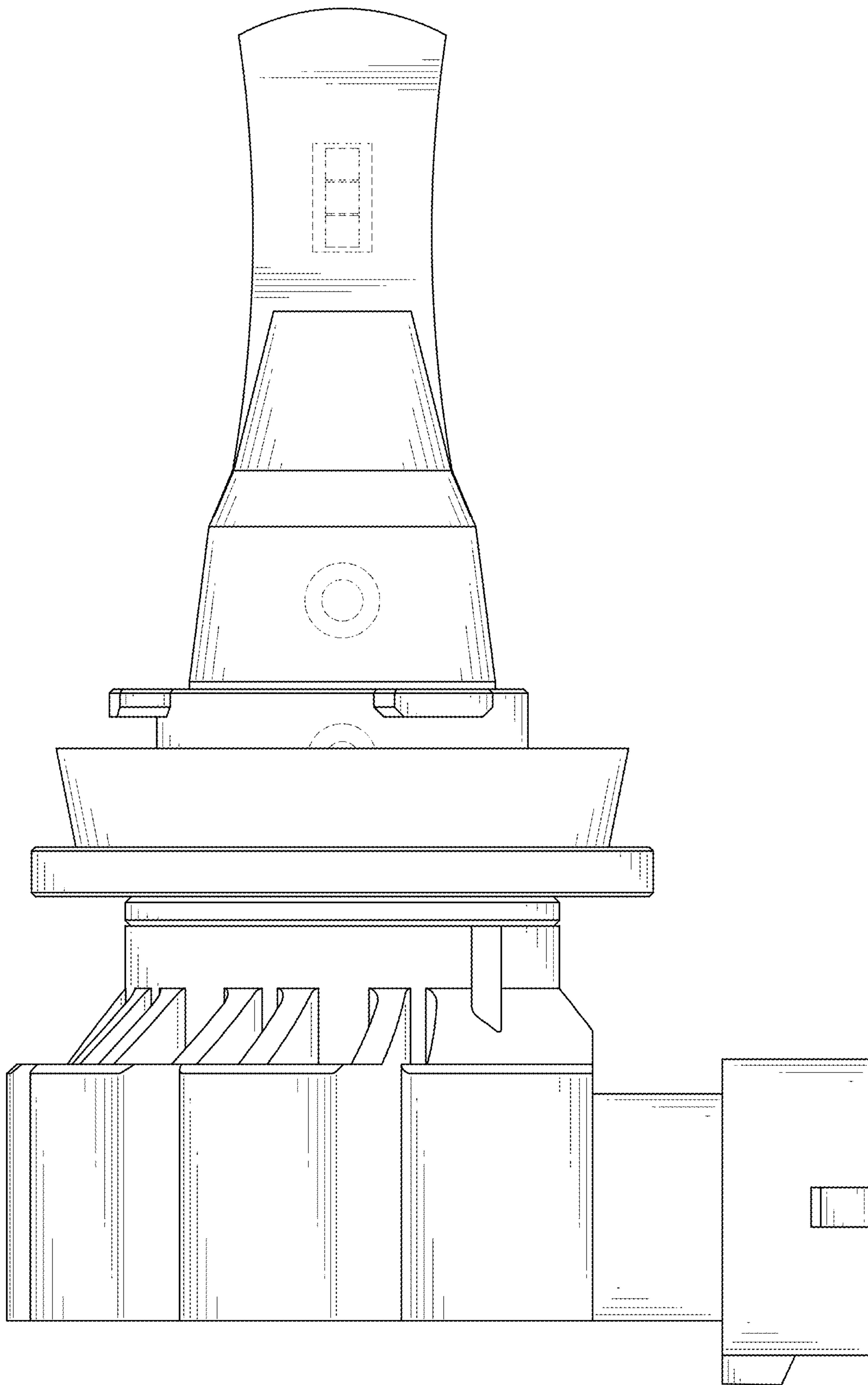


FIG. 5

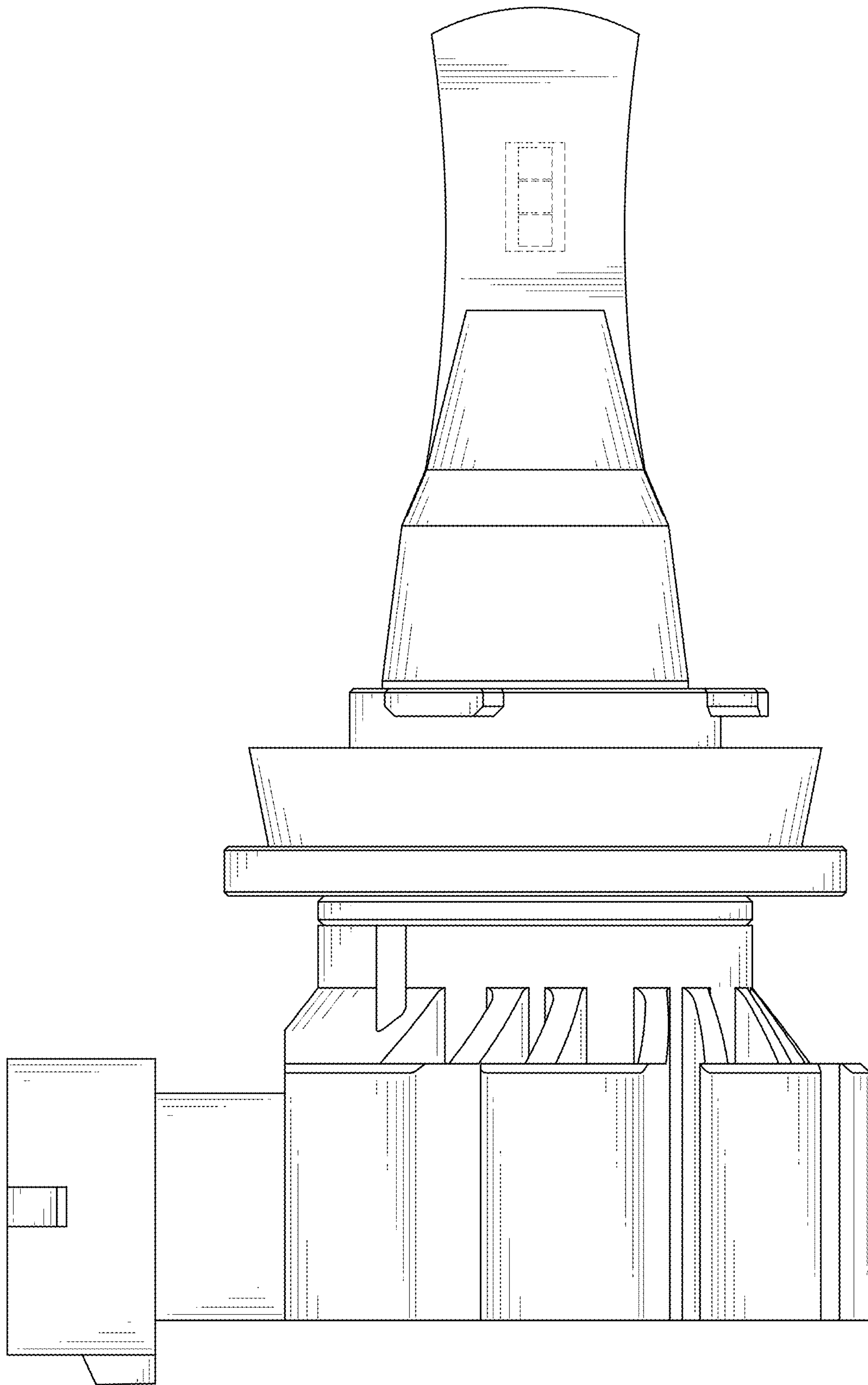


FIG. 6



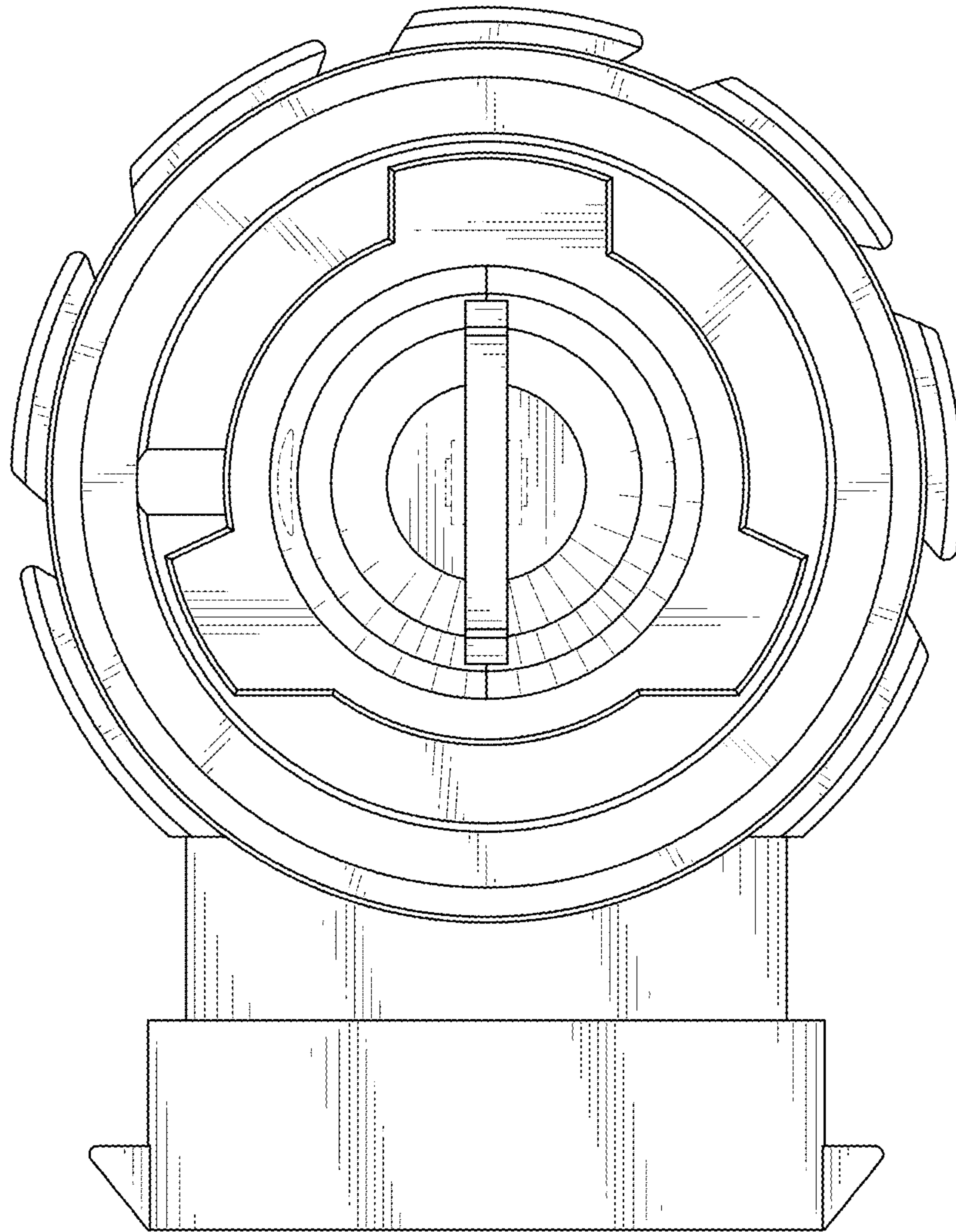


FIG. 7

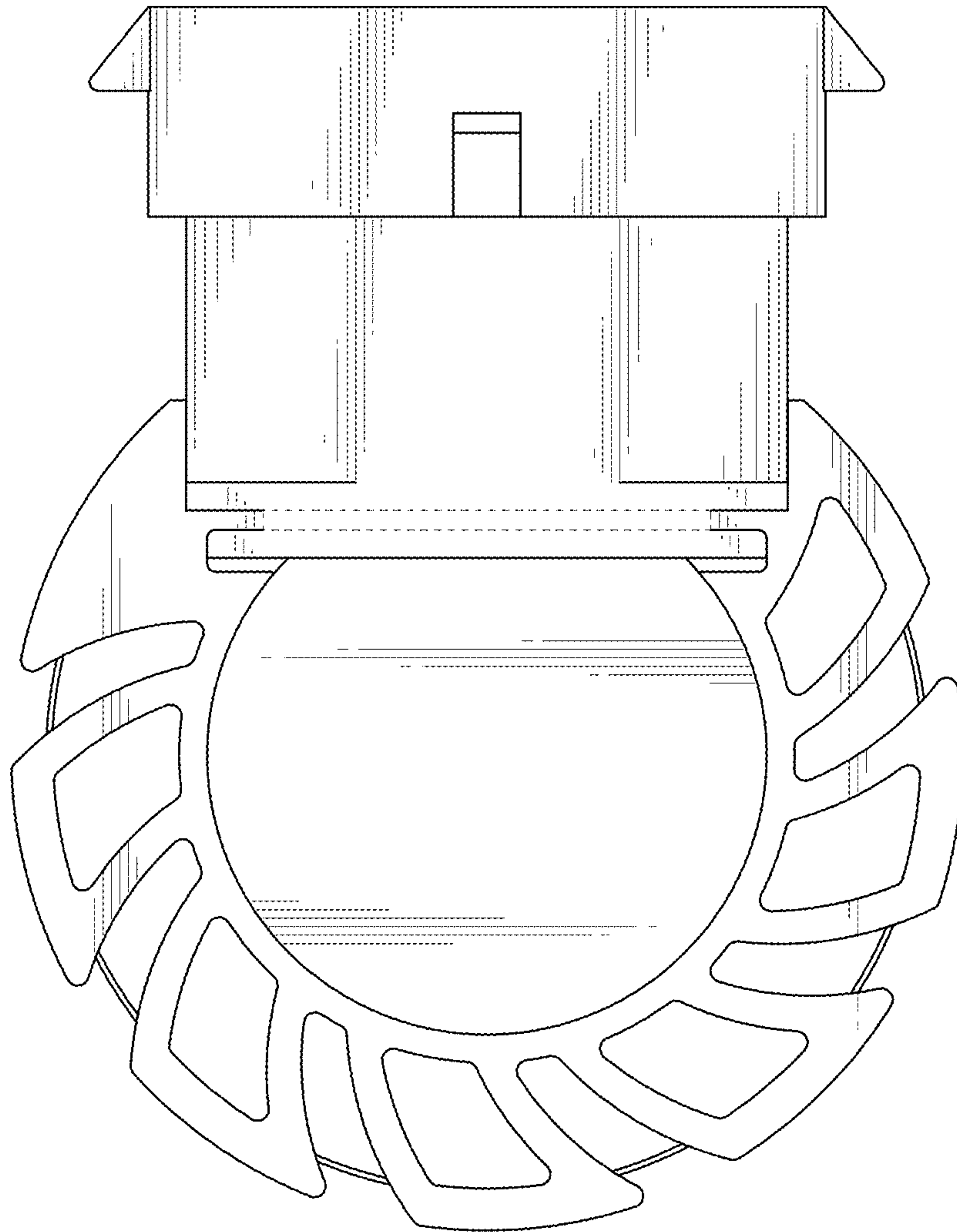


FIG. 8