



US00D899638S

(12) **United States Design Patent** (10) **Patent No.:** **US D899,638 S**
Li (45) **Date of Patent:** **** Oct. 20, 2020**

(54) **LAMP**

(71) Applicant: **SHENZHEN SANGSHEN E-COMMERCE CO., LTD.**, Shenzhen (CN)

(72) Inventor: **Cheng-Hao Li**, Shenzhen (CN)

(73) Assignee: **SHENZHEN SANGSHEN E-COMMERCE CO., LTD.**, Shenzhen (CN)

(**) Term: **15 Years**

(21) Appl. No.: **29/693,012**

(22) Filed: **May 30, 2019**

(51) **LOC (12) Cl.** **26-05**

(52) **U.S. Cl.**
USPC **D26/26**

(58) **Field of Classification Search**
USPC D26/26, 24, 113, 118, 119, 120;
D23/366, 367, 369; 362/640, 641, 642,
362/643, 644, 650, 651, 652, 653, 659
See application file for complete search history.

(56) **References Cited**

U.S. PATENT DOCUMENTS

D376,214 S *	12/1996	Pinchuk	D26/26
5,662,408 A *	9/1997	Marischen	F21S 8/035 362/253
D404,508 S *	1/1999	Marischen	D26/26
D524,461 S *	7/2006	Molenaar	D26/26

D601,281 S *	9/2009	Howard	D26/26
D821,615 S *	6/2018	Trice	D26/26
D840,061 S *	2/2019	Kolenda	D26/26
D869,014 S *	12/2019	Wu	D26/26
D870,326 S *	12/2019	Chen	D26/26
D872,912 S *	1/2020	Wu	D26/26
D873,447 S *	1/2020	Wang	D26/26
D873,448 S *	1/2020	Zhang	D26/26
D876,679 S *	2/2020	Hou	D26/26

* cited by examiner

Primary Examiner — Angela J Lee

(74) *Attorney, Agent, or Firm* — ScienBiziP, P.C.

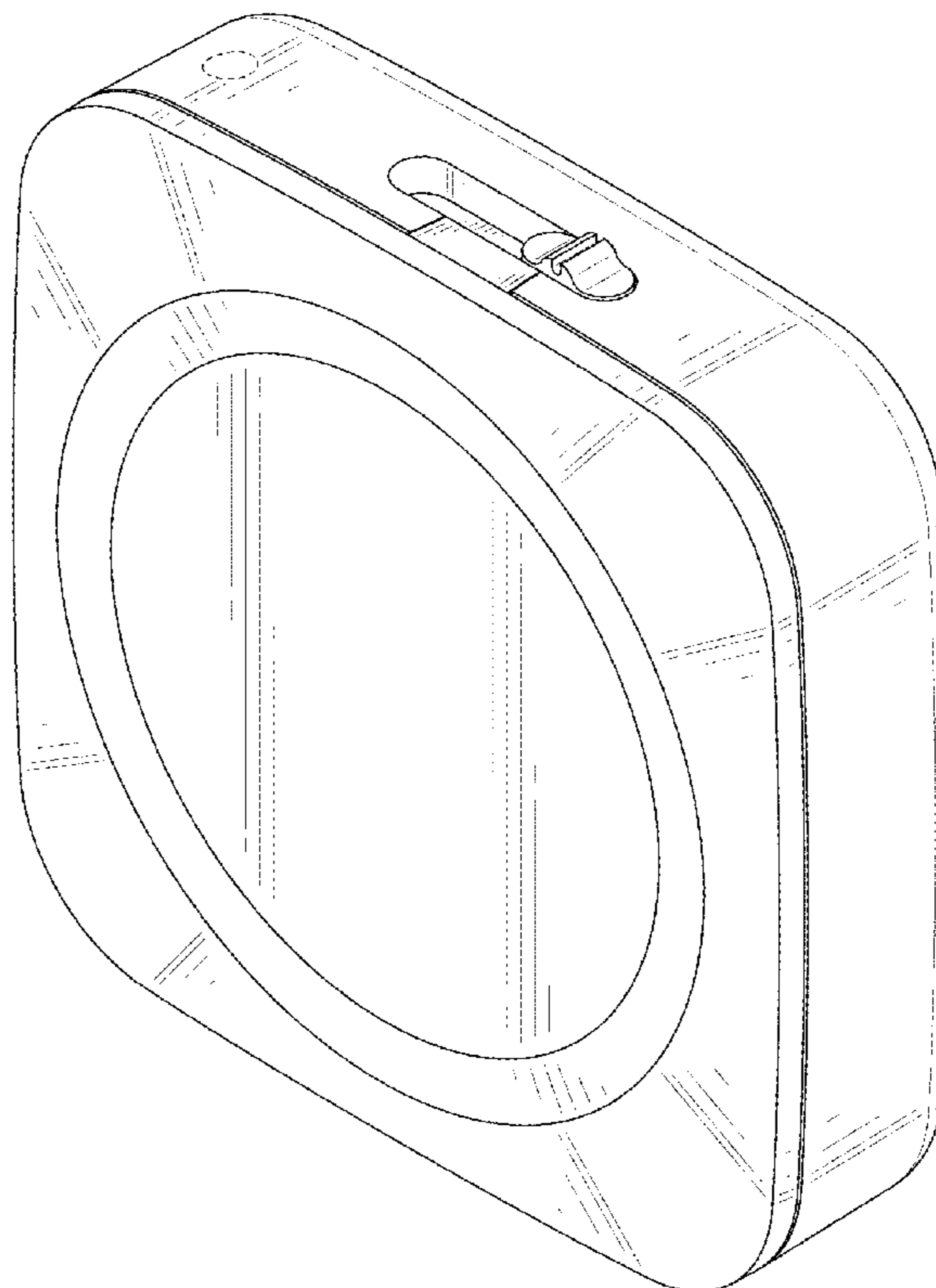
(57) **CLAIM**

The ornamental design for a lamp, as shown and described.

DESCRIPTION

FIG. 1 is a first perspective view of a lamp, showing my design.
FIG. 2 is a second perspective view thereof.
FIG. 3 is a front elevation view thereof.
FIG. 4 is a rear elevation view thereof.
FIG. 5 is a left side elevation view thereof.
FIG. 6 is a right side elevation view thereof.
FIG. 7 is a top plan view thereof; and,
FIG. 8 is a bottom plan view thereof.
The broken lines are for environmental structure or boundaries only and form no part of the claimed designs to be patented.

1 Claim, 8 Drawing Sheets



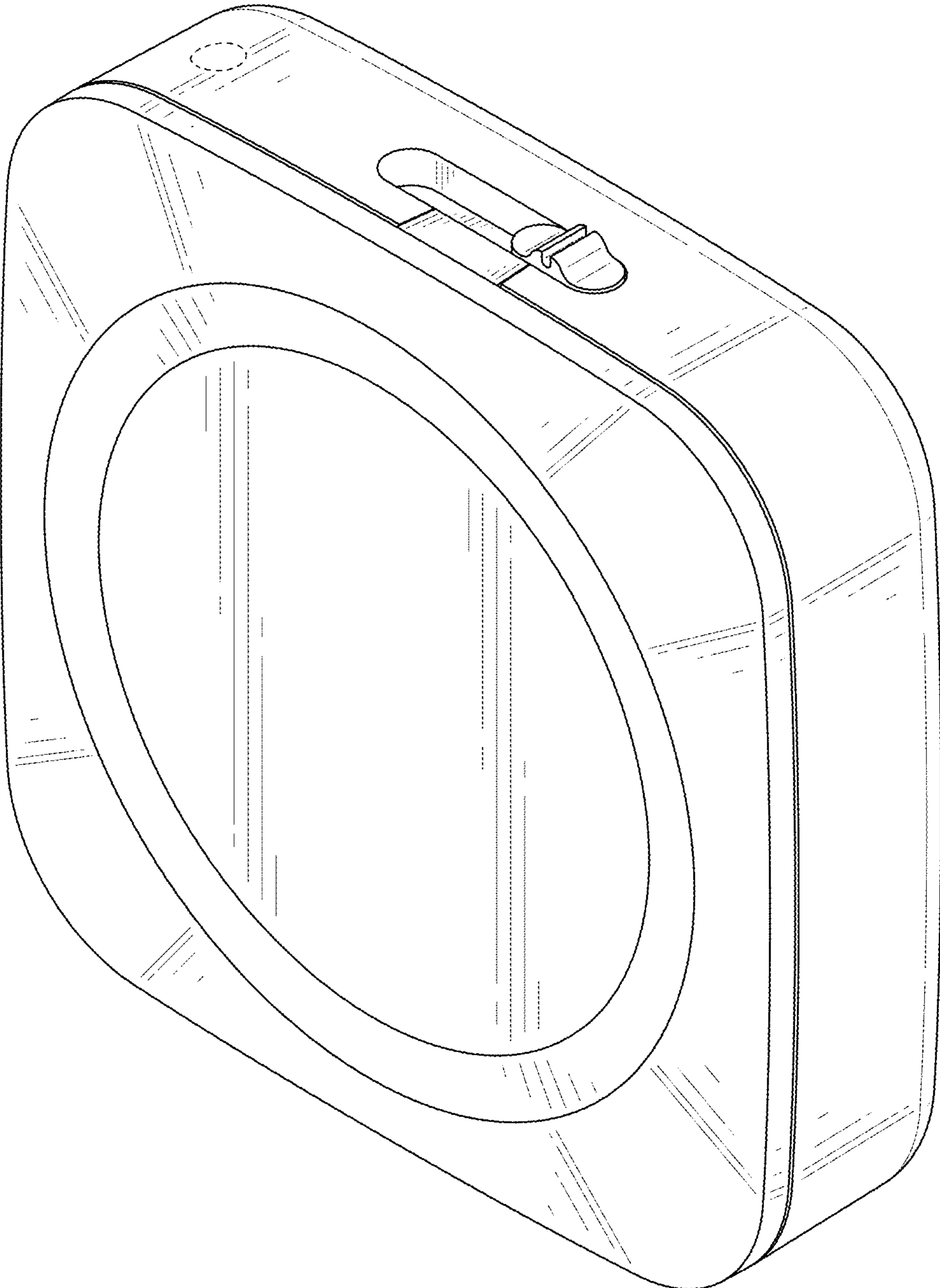


FIG. 1

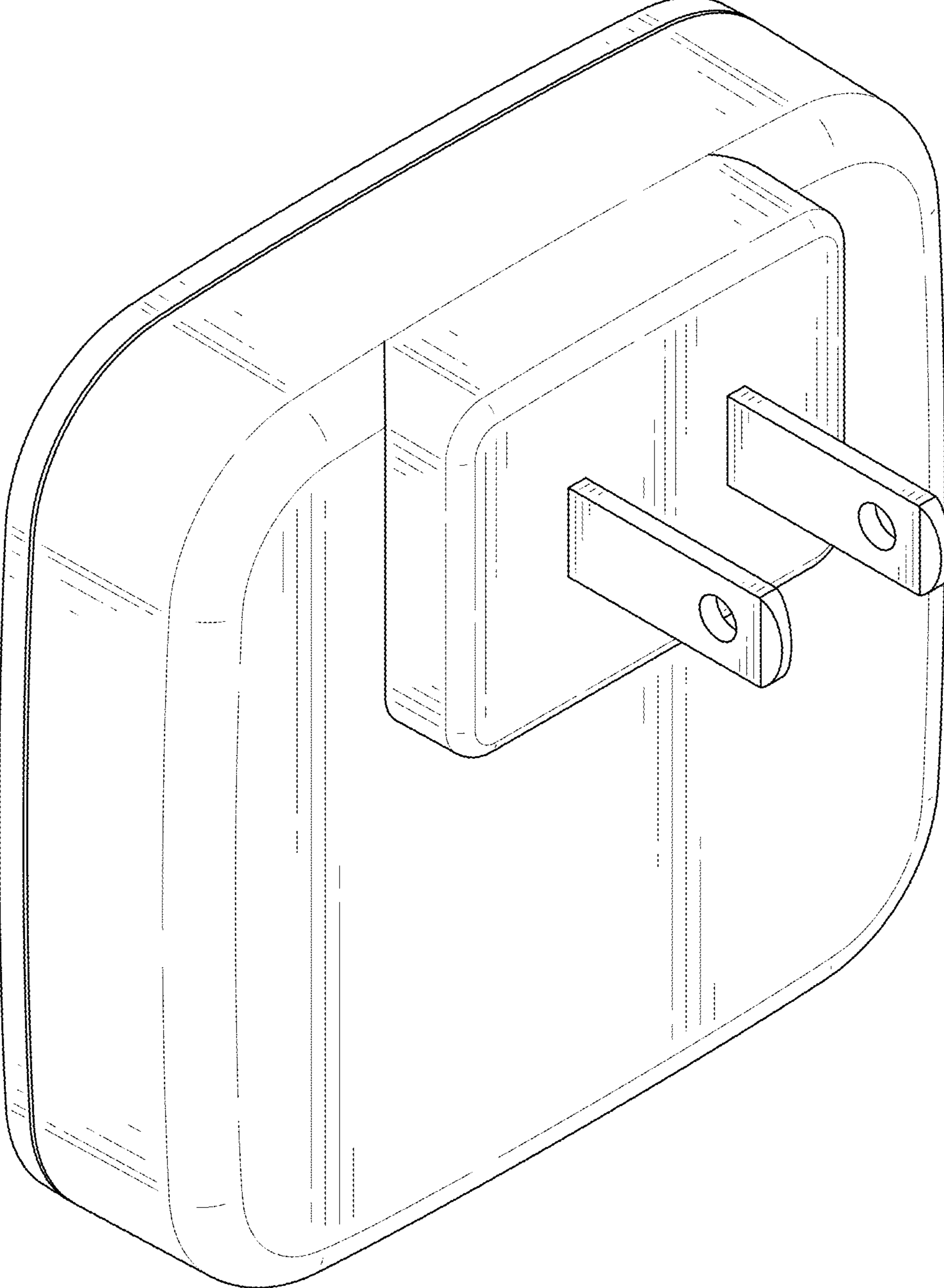


FIG. 2

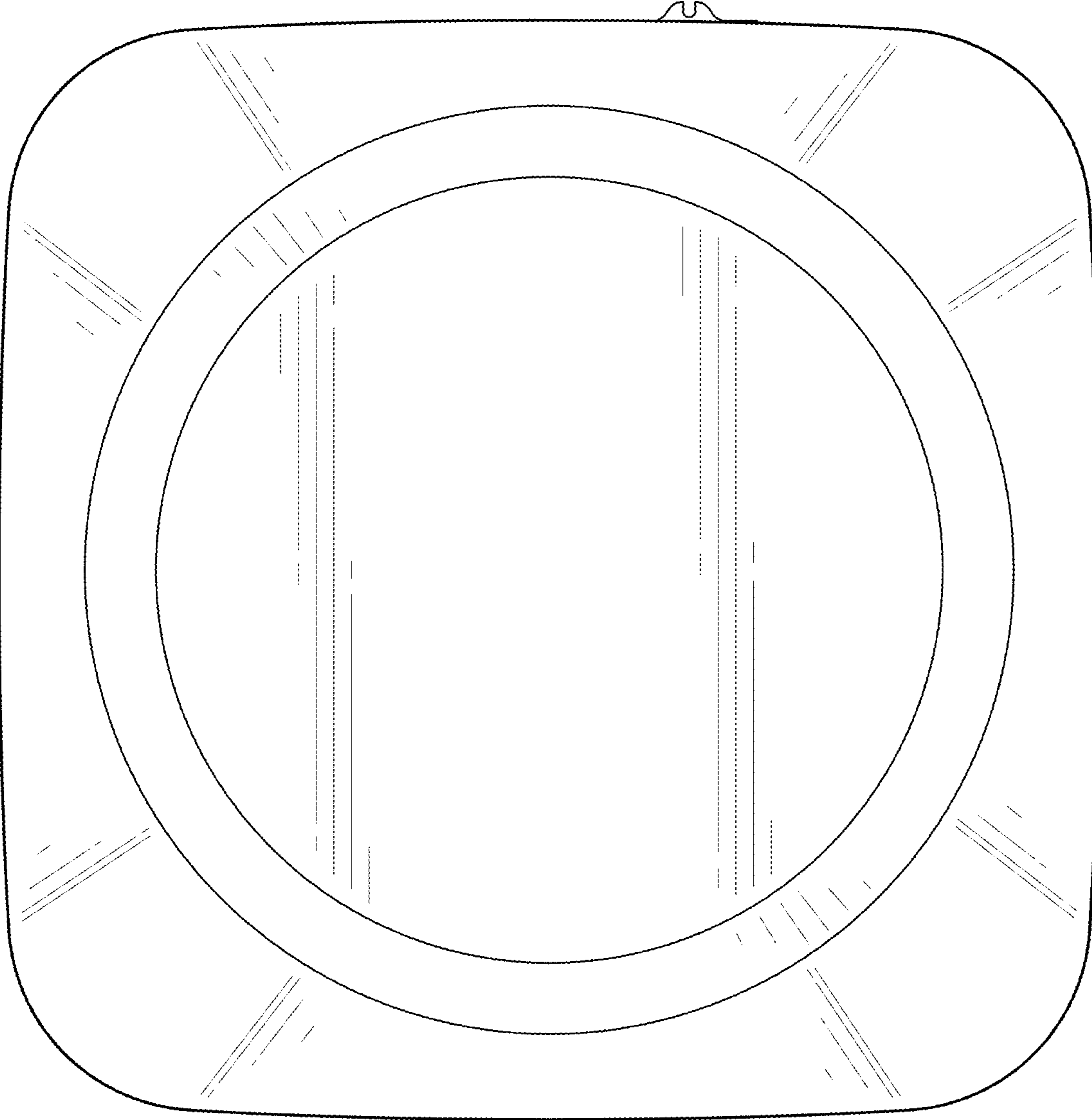


FIG. 3

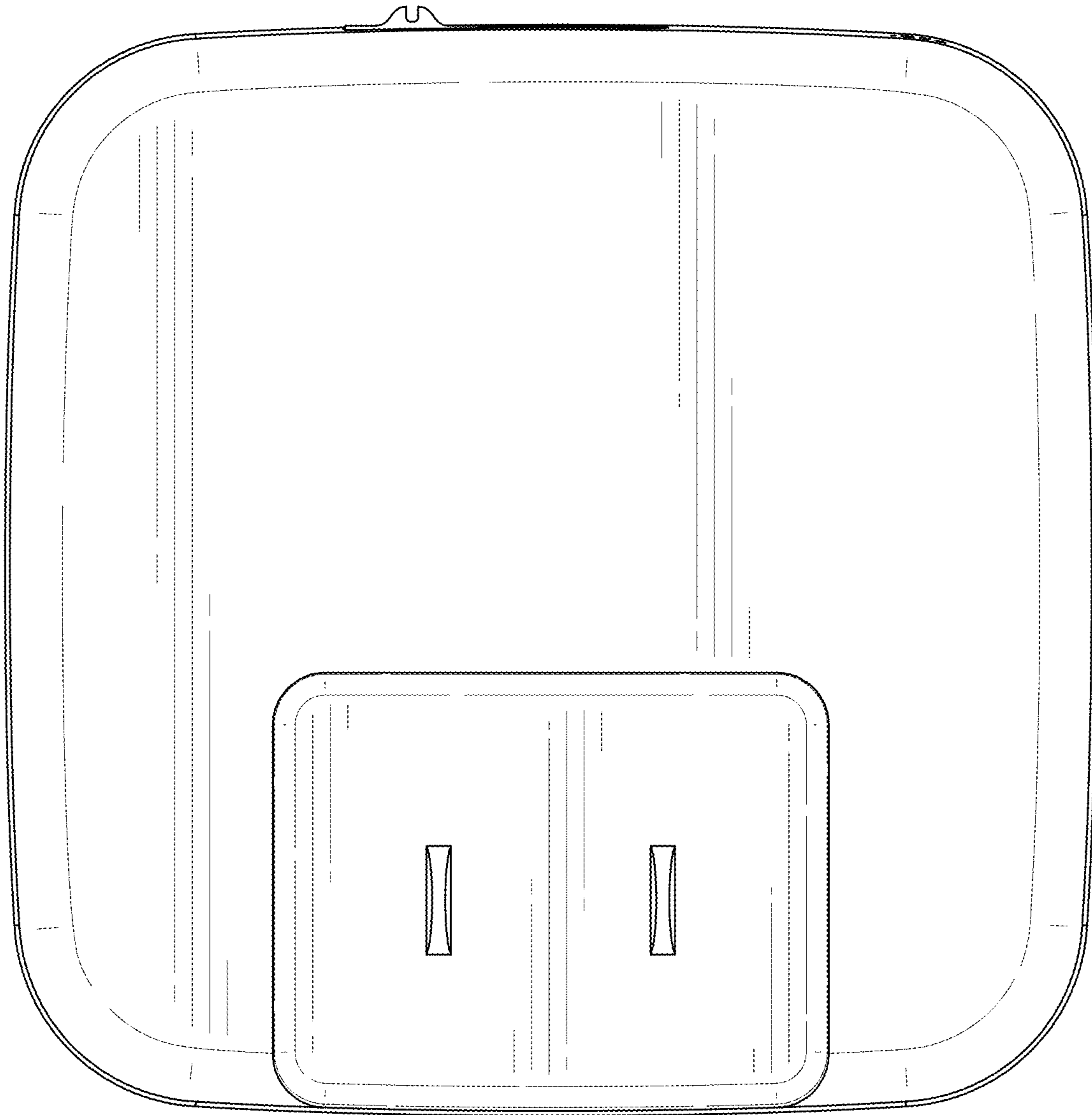


FIG. 4

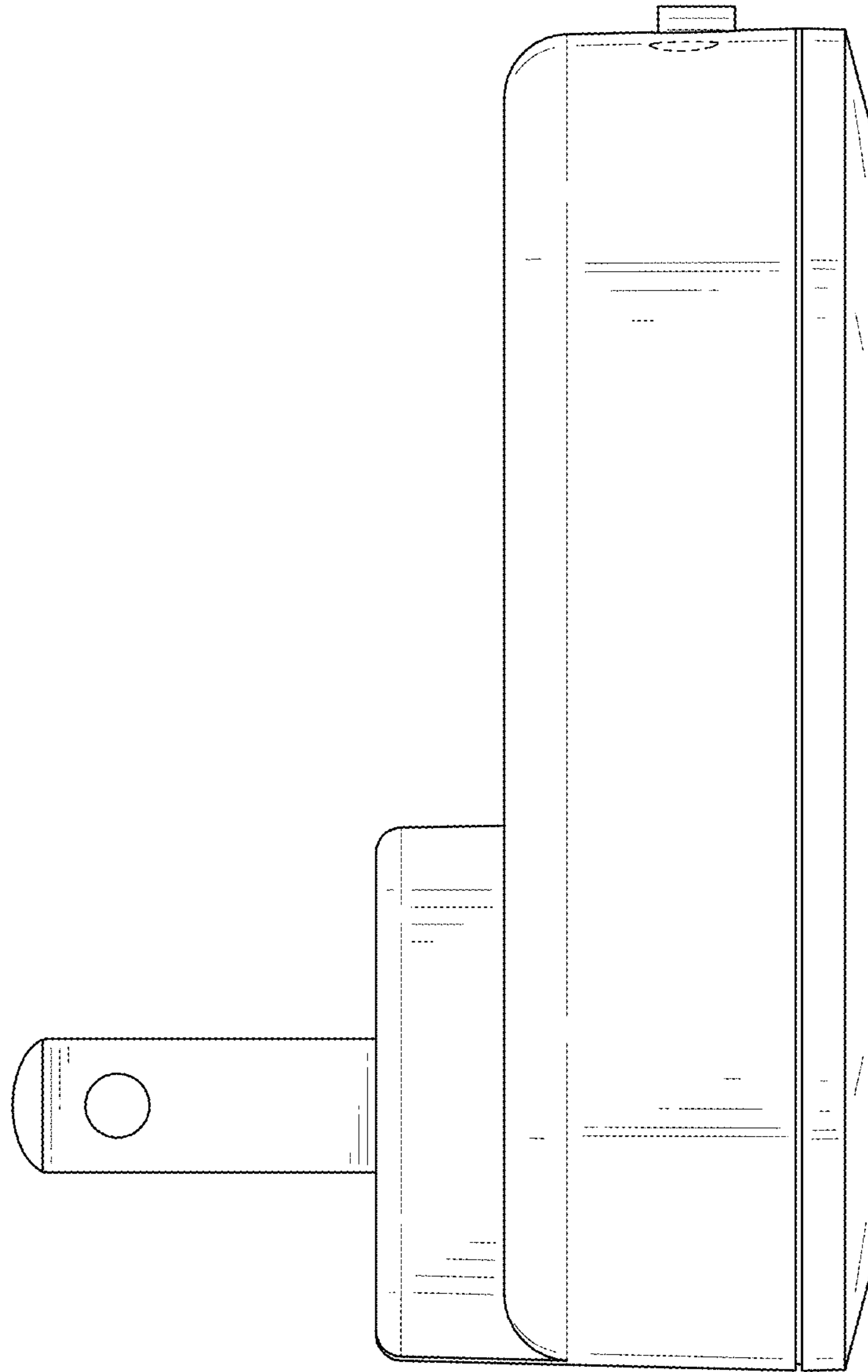


FIG. 5

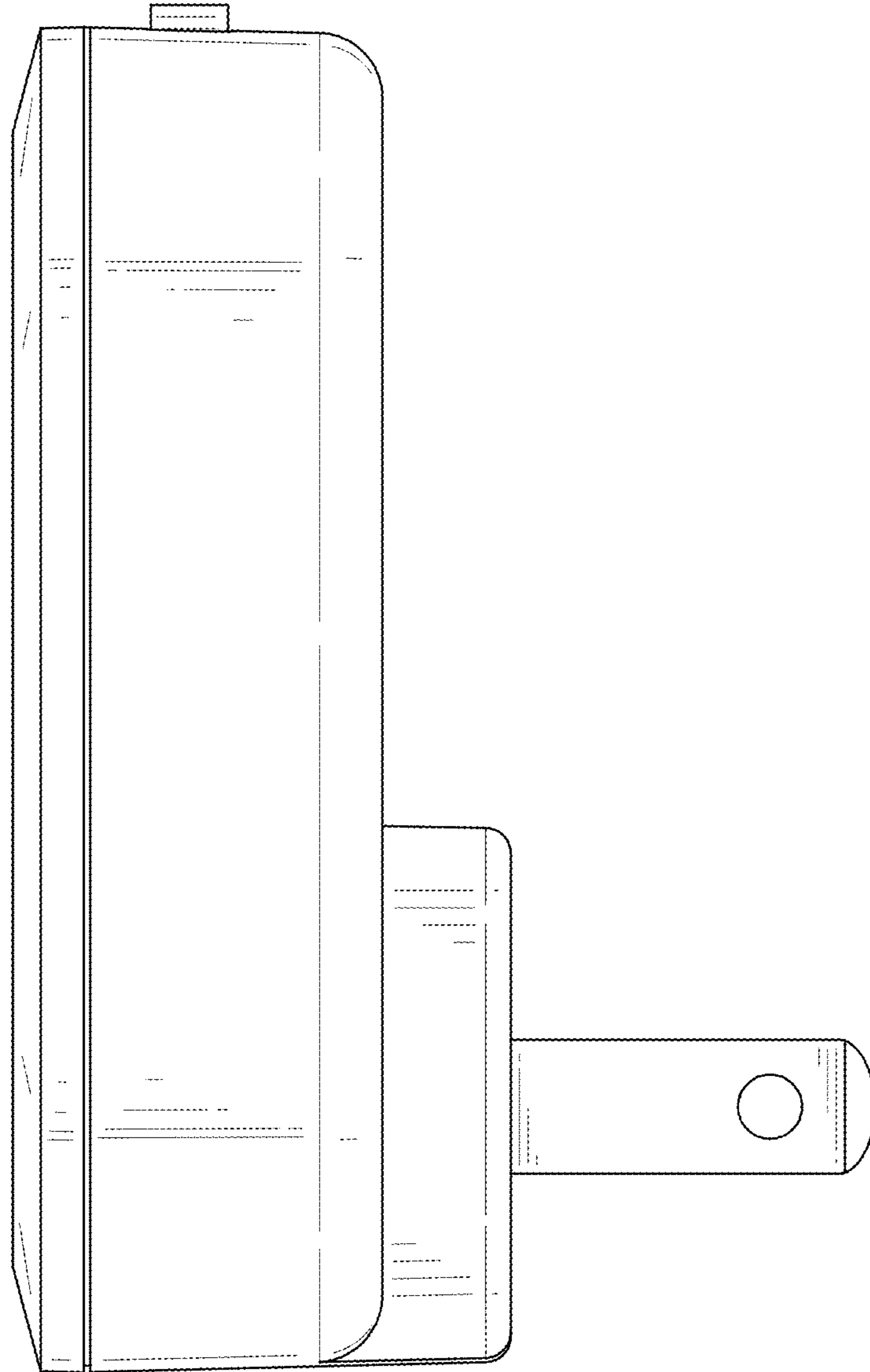


FIG. 6

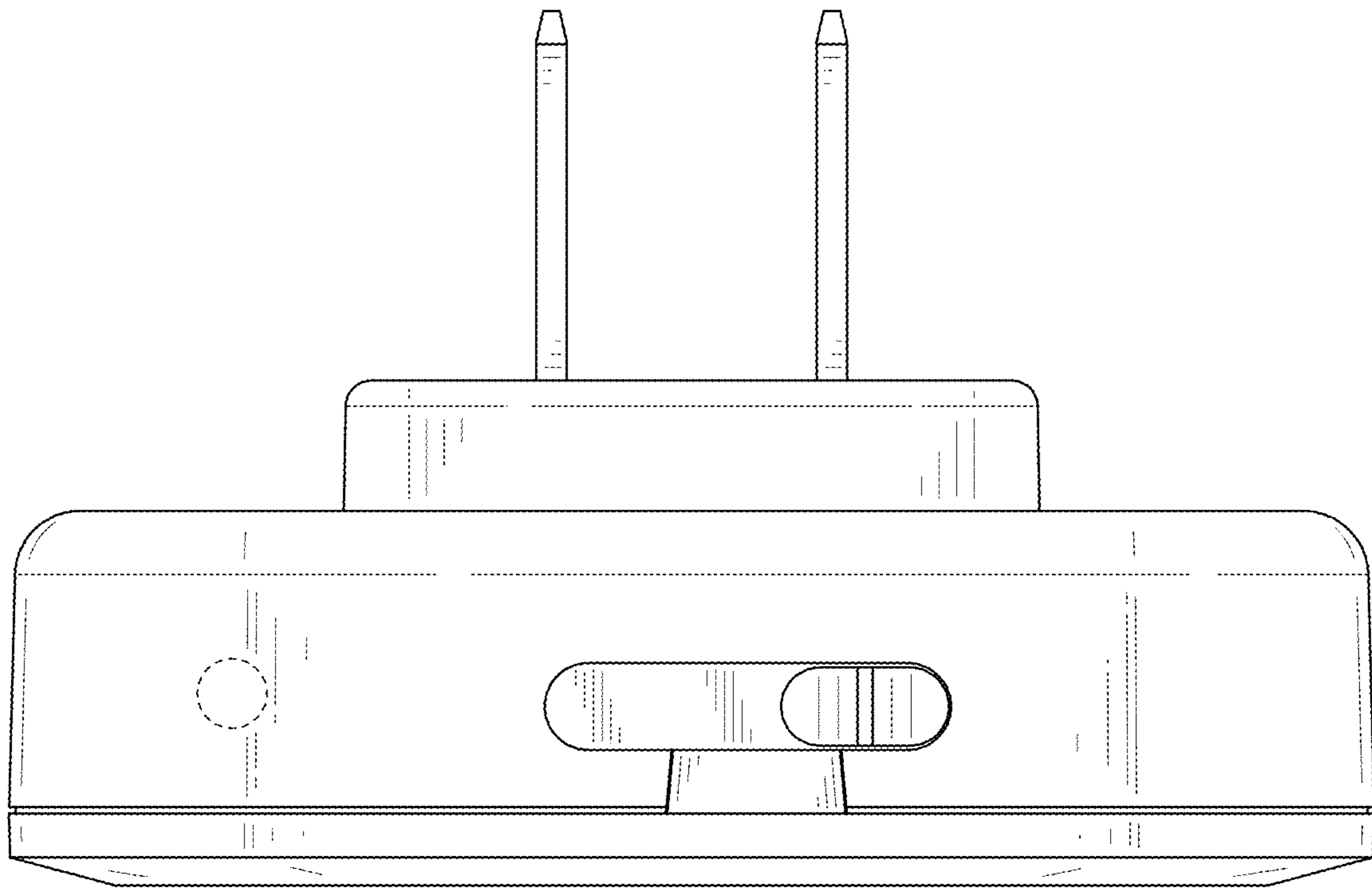


FIG. 7

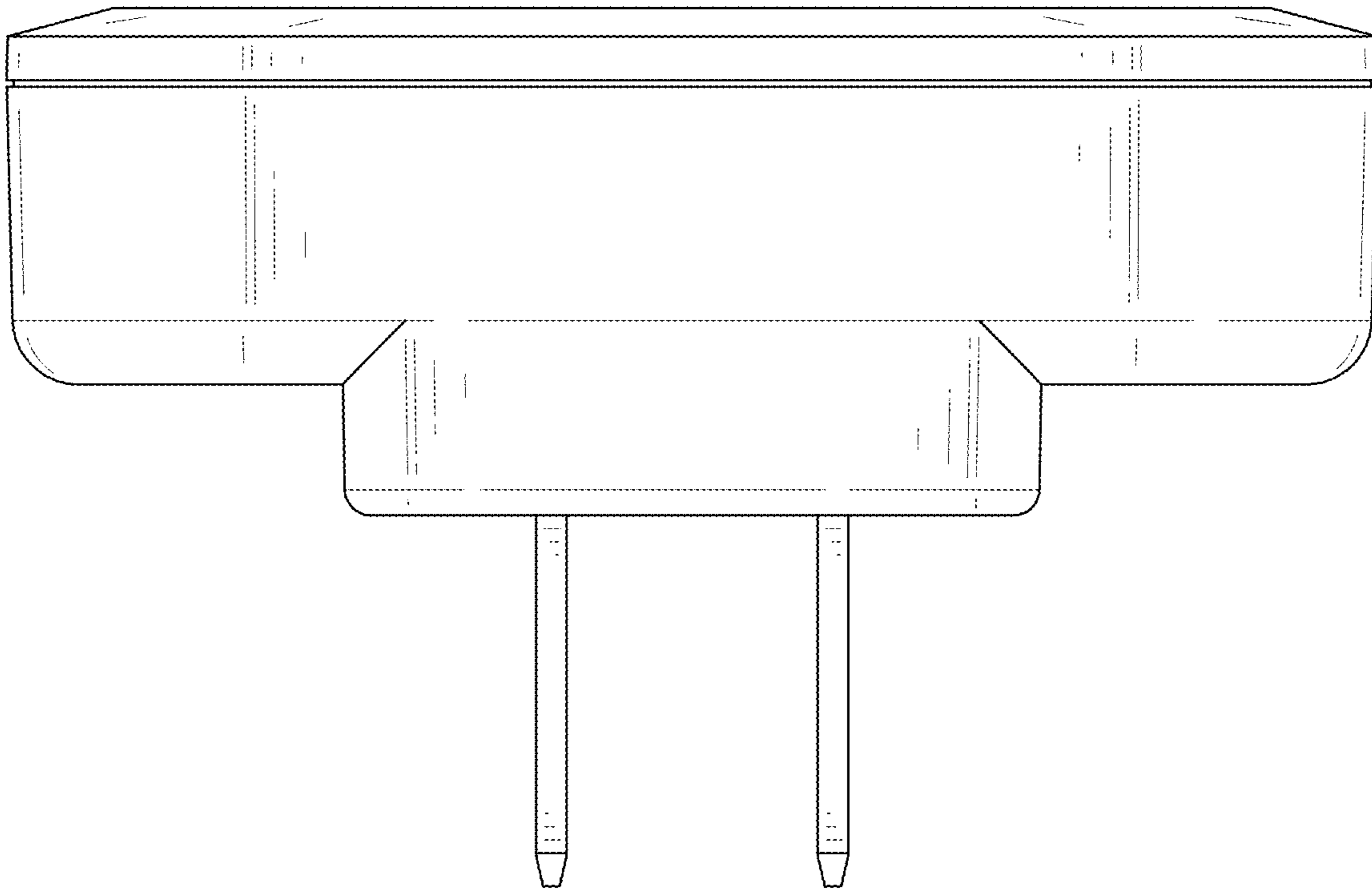


FIG. 8