



US00D899637S

(12) **United States Design Patent**
Xu

(10) **Patent No.:** **US D899,637 S**

(45) **Date of Patent:** **** Oct. 20, 2020**

(54) **LED LAMP**

(71) Applicant: **SHENZHEN SNC OPTO ELECTRONIC CO., LTD.**, Shenzhen (CN)

(72) Inventor: **Jianjun Xu**, Shenzhen (CN)

(73) Assignee: **SHENZHEN SNC OPTO ELECTRONIC CO., LTD.**, Shenzhen (CN)

(**) Term: **15 Years**

(21) Appl. No.: **29/696,505**

(22) Filed: **Jun. 28, 2019**

(51) **LOC (12) Cl.** **26-04**

(52) **U.S. Cl.**
USPC **D26/2**

(58) **Field of Classification Search**
USPC D26/1-4
CPC H01R 5/00; H01R 13/46; H01R 13/514; H01R 31/048; H01R 31/02; H01J 5/00; H01J 5/16; H01J 1/02; H01J 15/00; H01J 5/48; H01J 5/50; H01J 19/54; F21V 5/00; F21K 9/00; F21K 13/00

See application file for complete search history.

(56) **References Cited**

U.S. PATENT DOCUMENTS

D508,575 S * 8/2005 Buschmann D26/2
D528,227 S * 9/2006 Chou D26/2
D531,741 S * 11/2006 Takahashi D26/2

D534,665 S * 1/2007 Egawa D26/2
D538,953 S * 3/2007 Mama D26/2
D615,220 S * 5/2010 Crane D26/2
D651,327 S * 12/2011 Hsiao D26/2
D663,869 S * 7/2012 Choi D26/2

* cited by examiner

Primary Examiner — Marcus A Jackson

(57) **CLAIM**

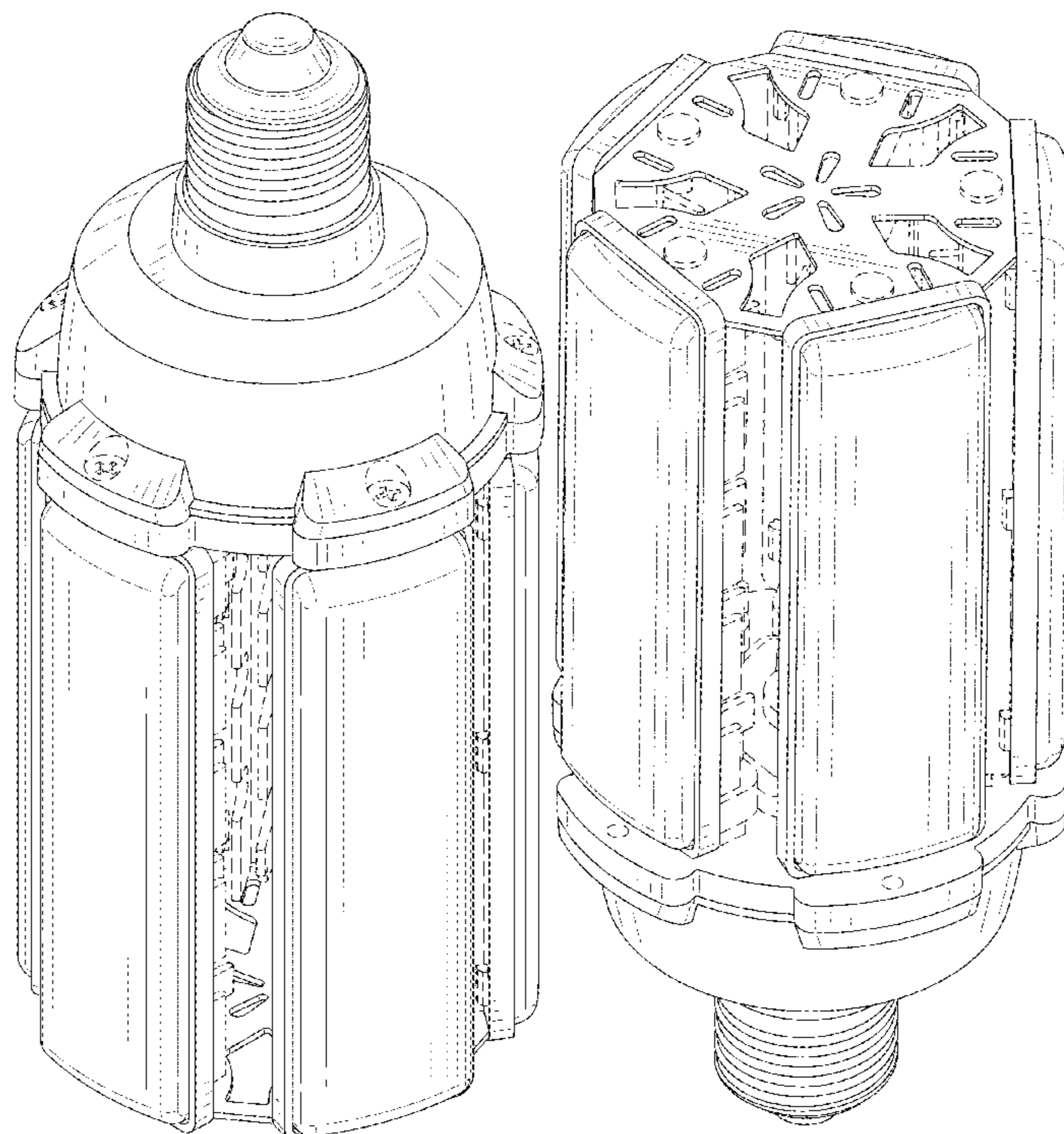
The ornamental design for an LED lamp, as shown and described.

DESCRIPTION

FIG. 1 is a perspective view of an LED lamp in accordance with a first embodiment showing my new design; FIG. 2 is similar to FIG. 1, viewed from another aspect; FIG. 3 is a front elevational view thereof; FIG. 4 is a rear elevational view thereof; FIG. 5 is a left side elevational view thereof; FIG. 6 is a right side elevational view thereof; FIG. 7 is a top plan view thereof; FIG. 8 is a bottom plan view thereof; FIG. 9 is a perspective view of the LED lamp in accordance with a second embodiment; FIG. 10 is similar to FIG. 9, viewed from another aspect; FIG. 11 is a front elevational view thereof; FIG. 12 is a rear elevational view thereof; FIG. 13 is a left side elevational view thereof; FIG. 14 is a right side elevational view thereof; FIG. 15 is a top plan view thereof; and, FIG. 16 is a bottom plan view thereof.

The broken lines in the drawings depict portions of the LED lamp that form no part of the claimed design.

1 Claim, 16 Drawing Sheets



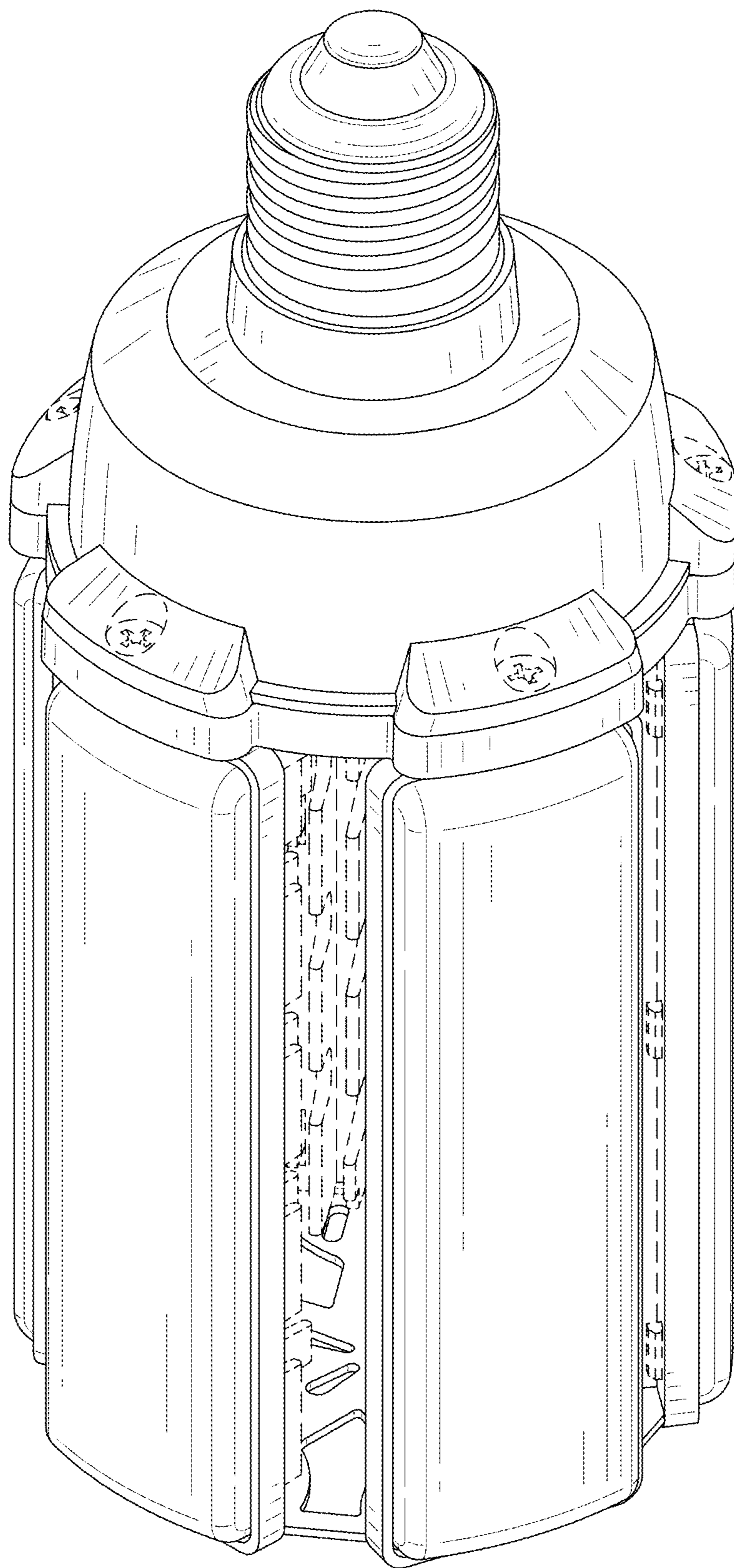


FIG. 1

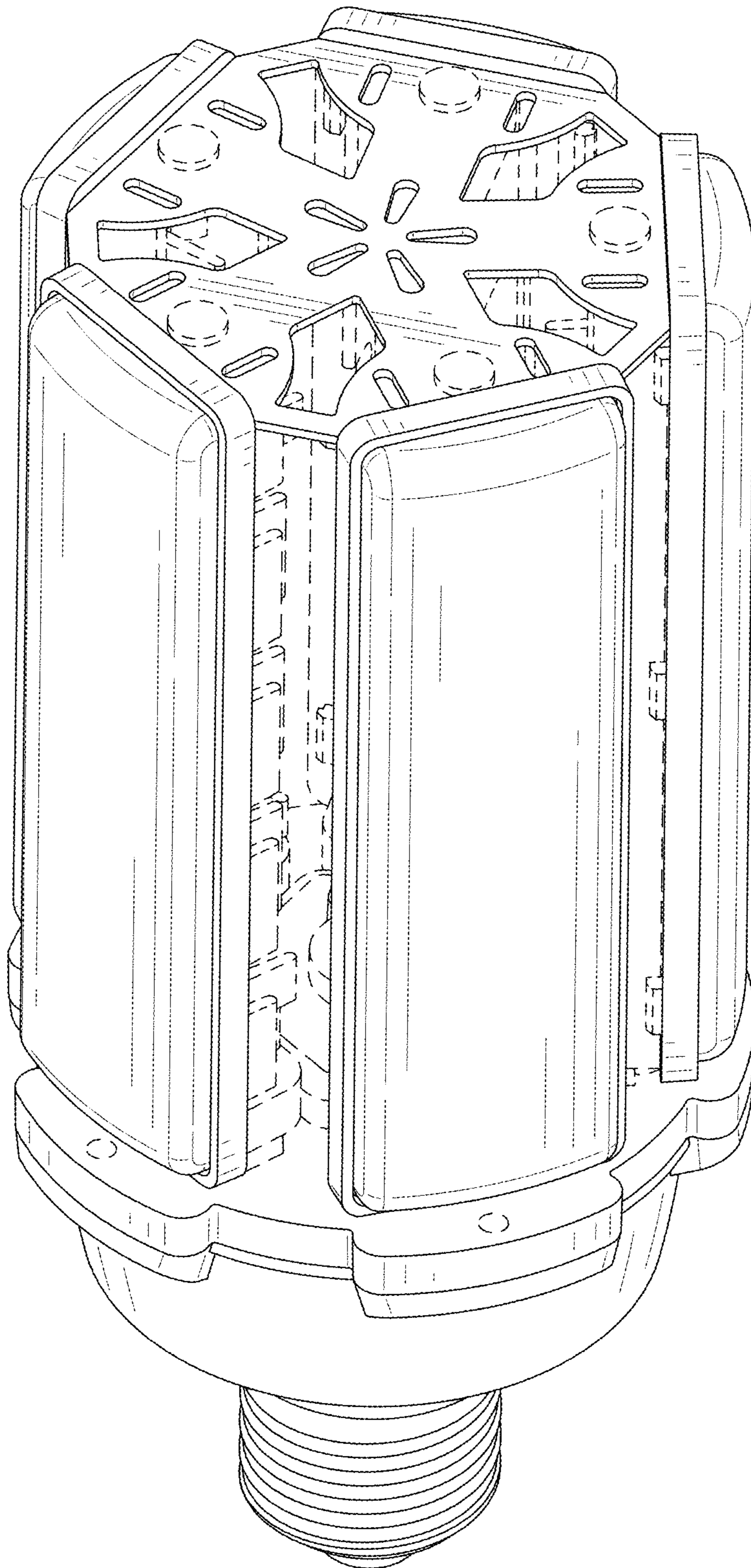


FIG. 2

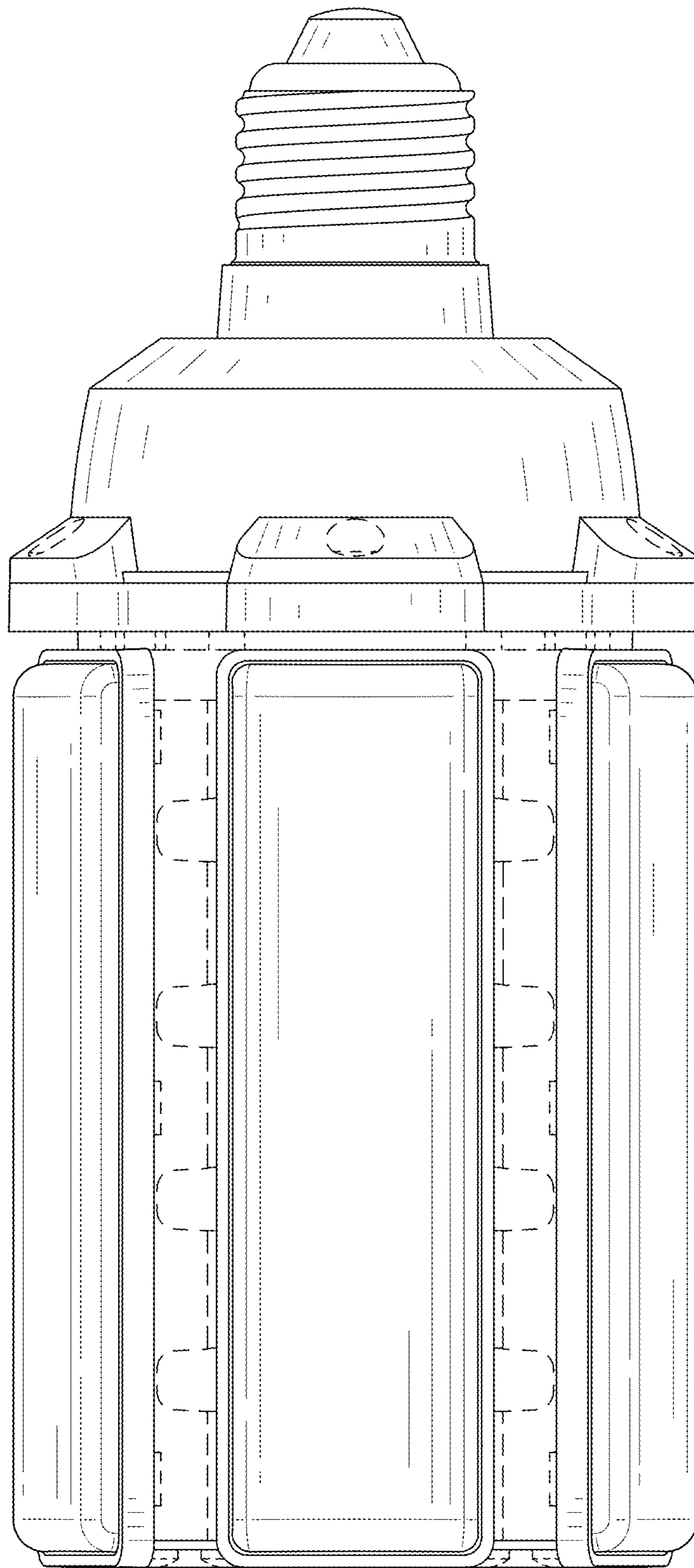


FIG. 3

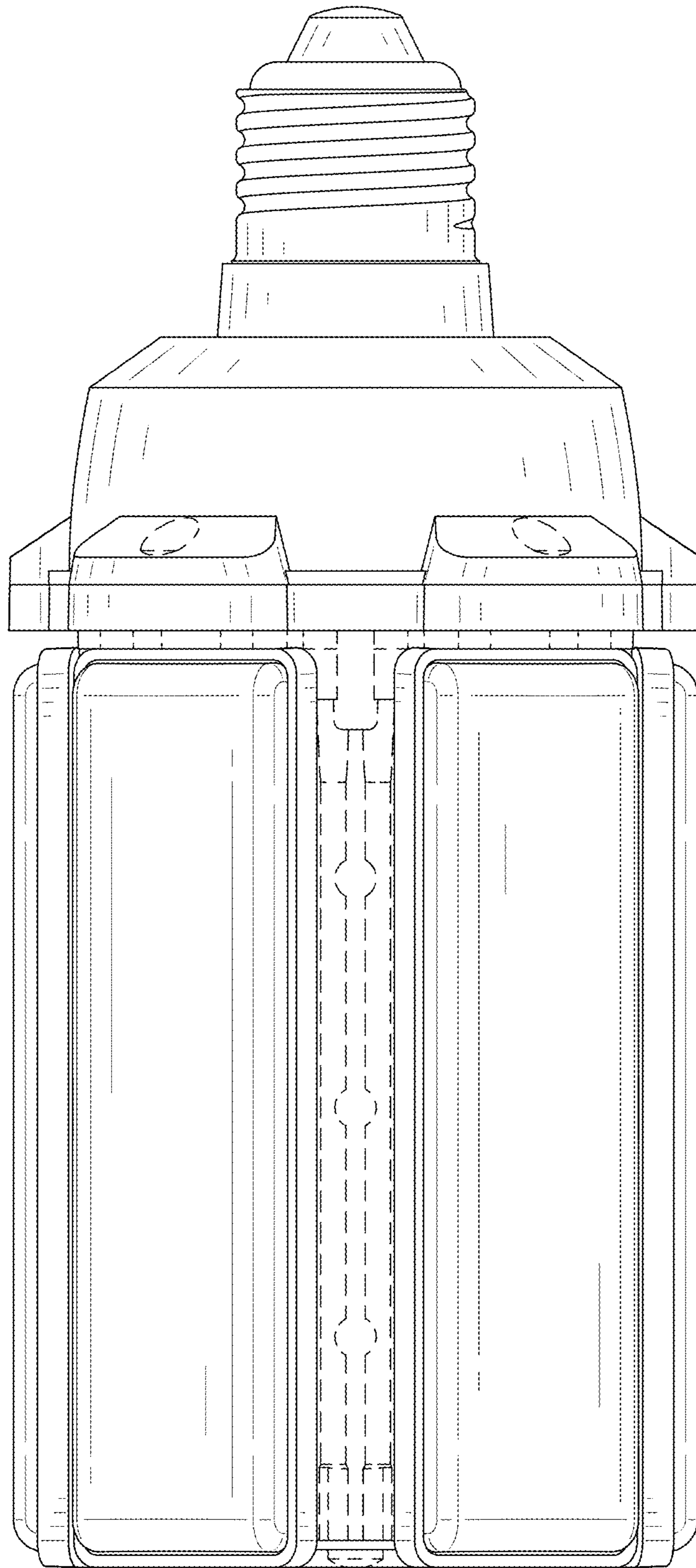


FIG. 4

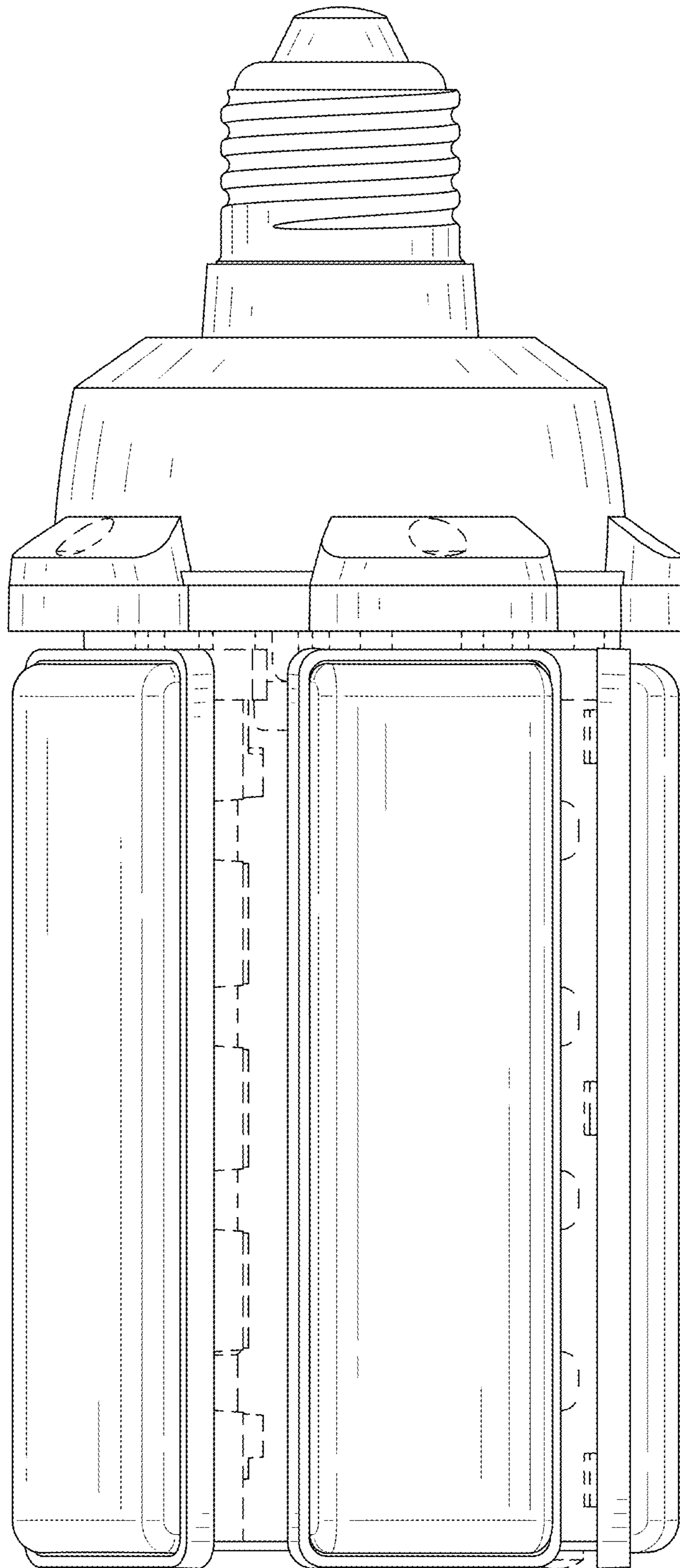


FIG. 5

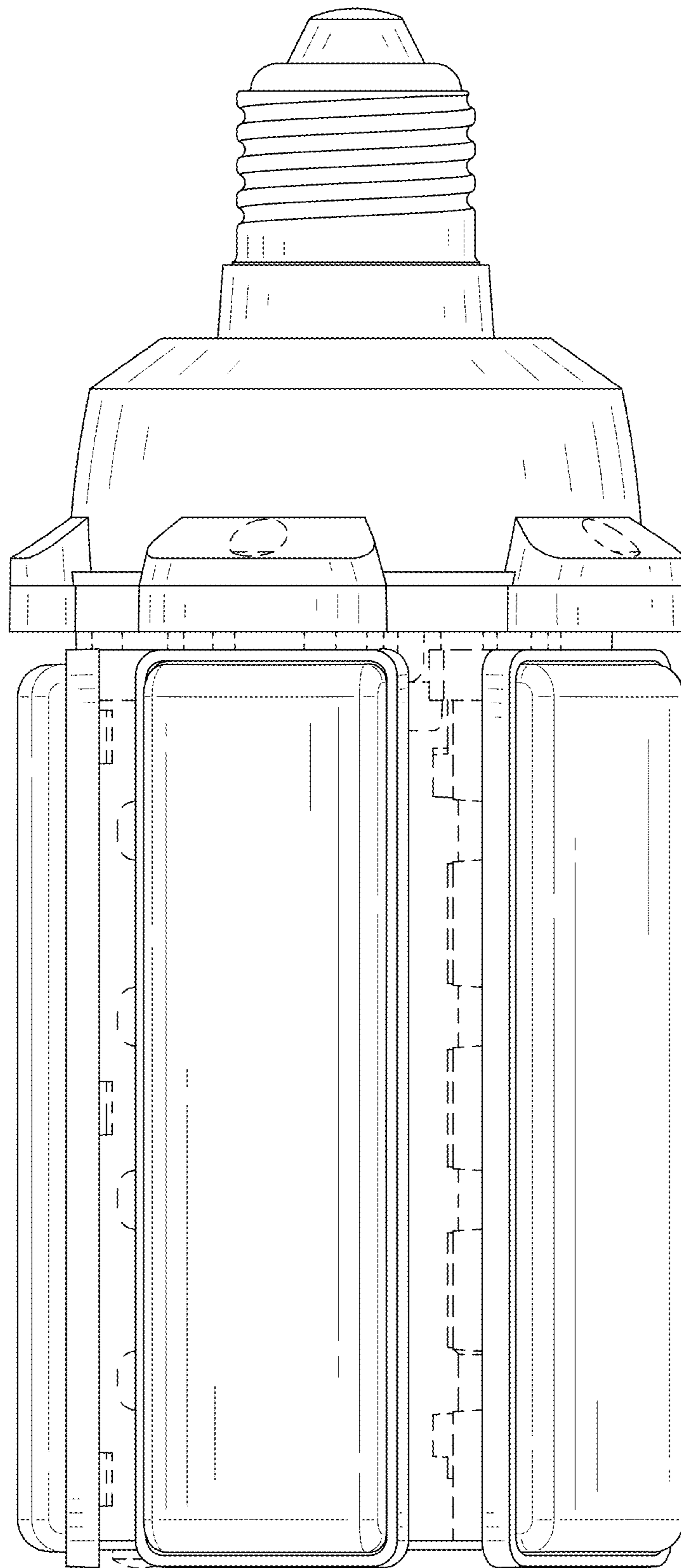


FIG. 6

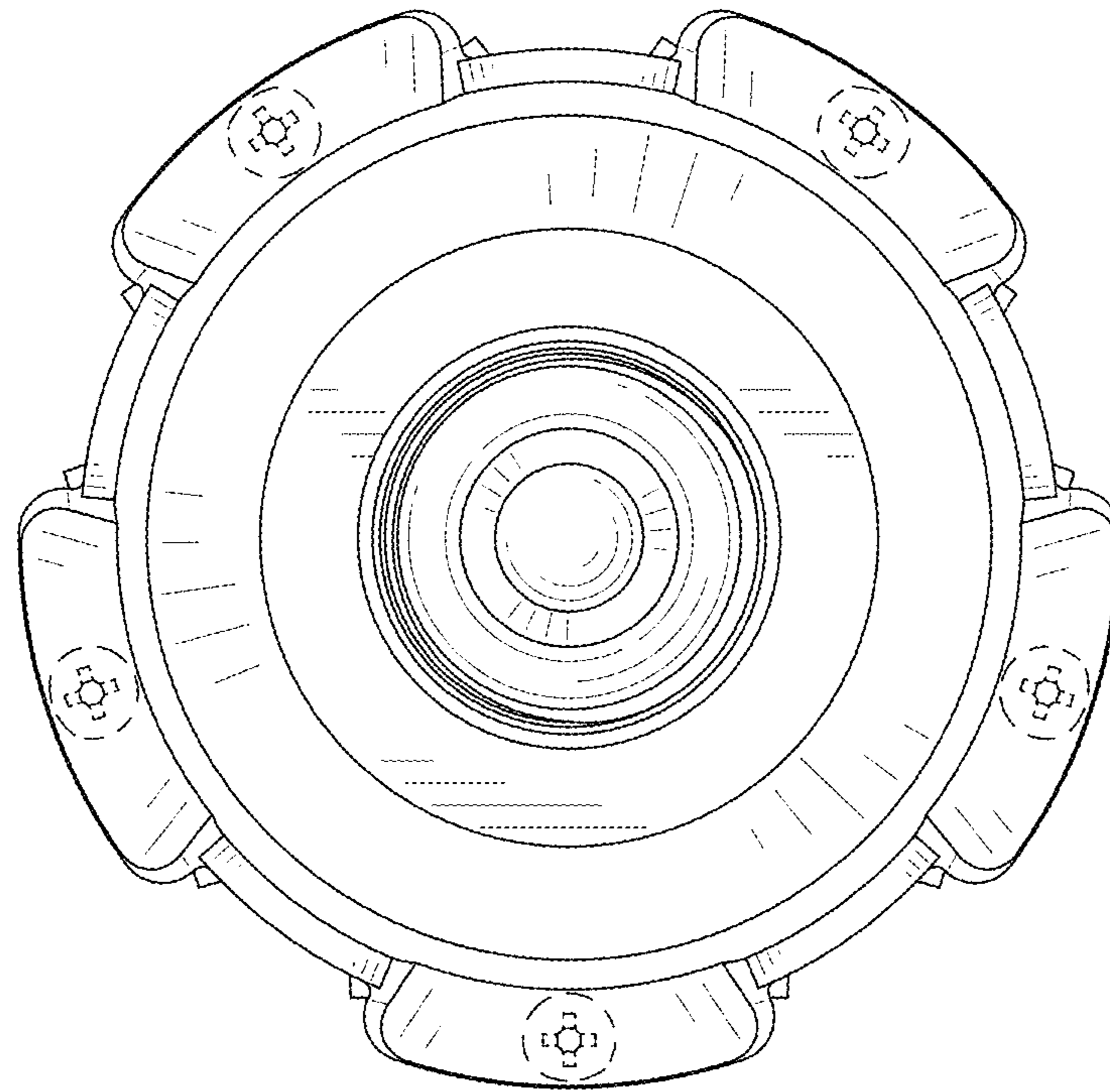


FIG. 7

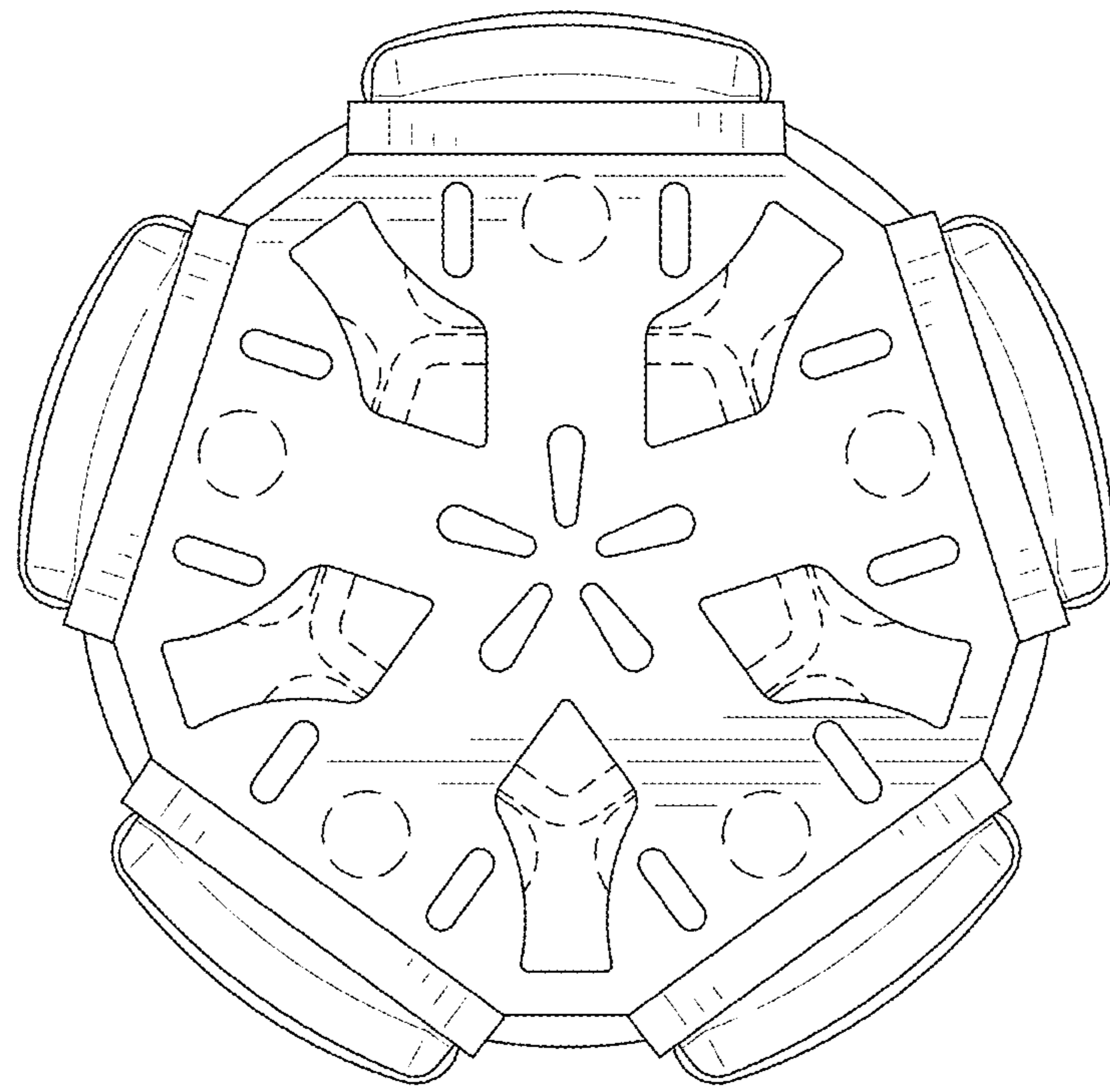


FIG. 8

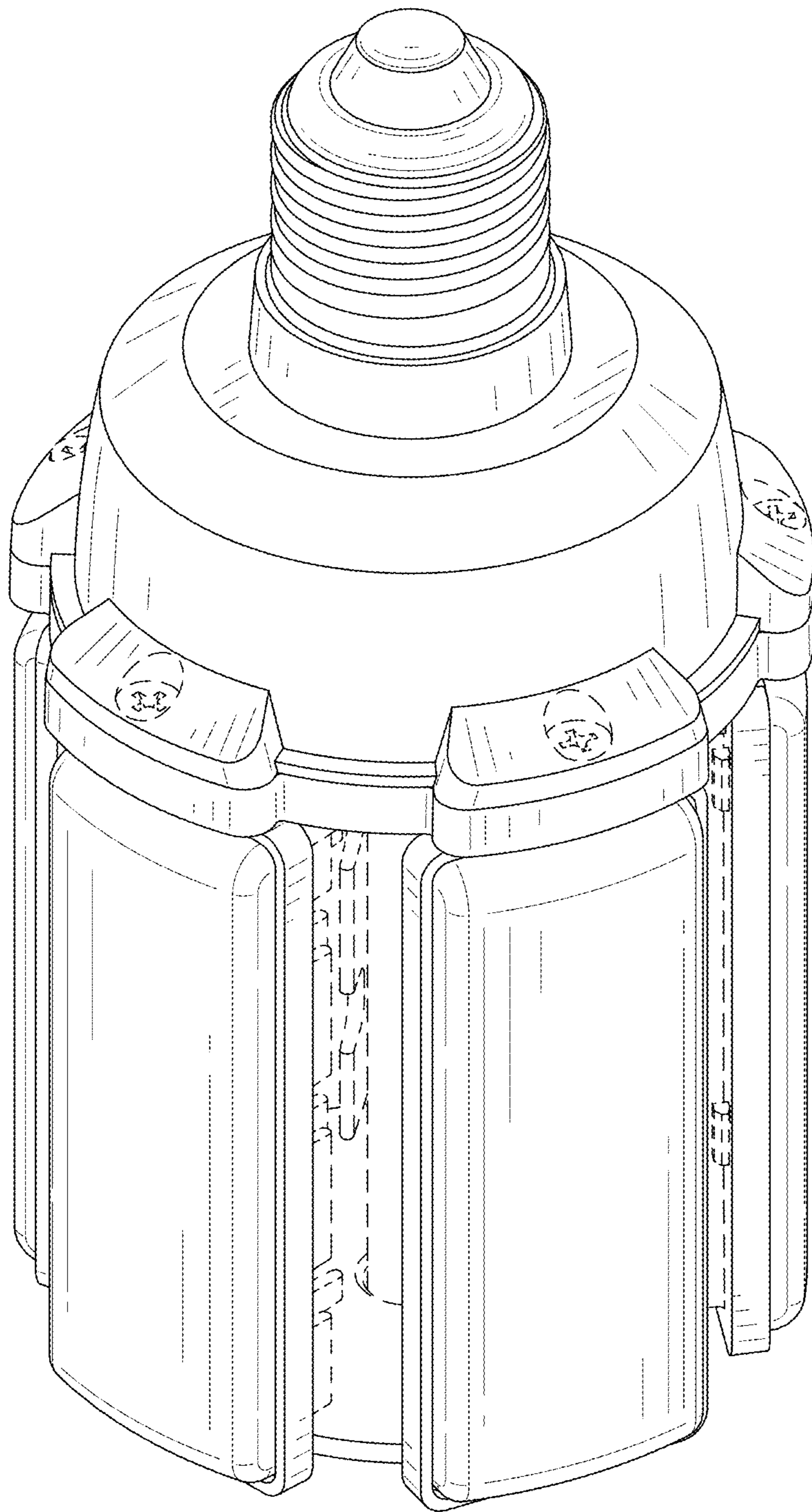


FIG. 9

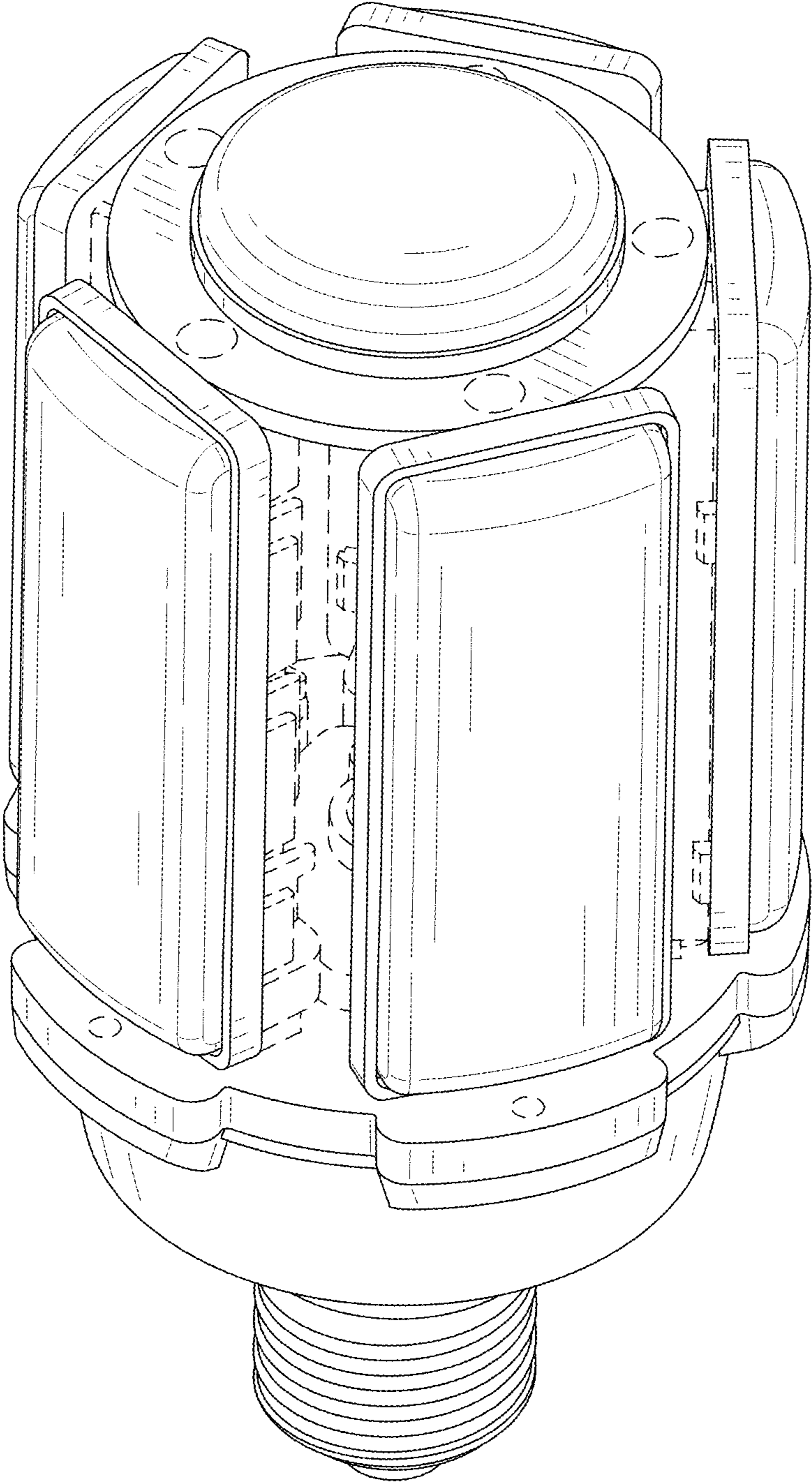


FIG. 10

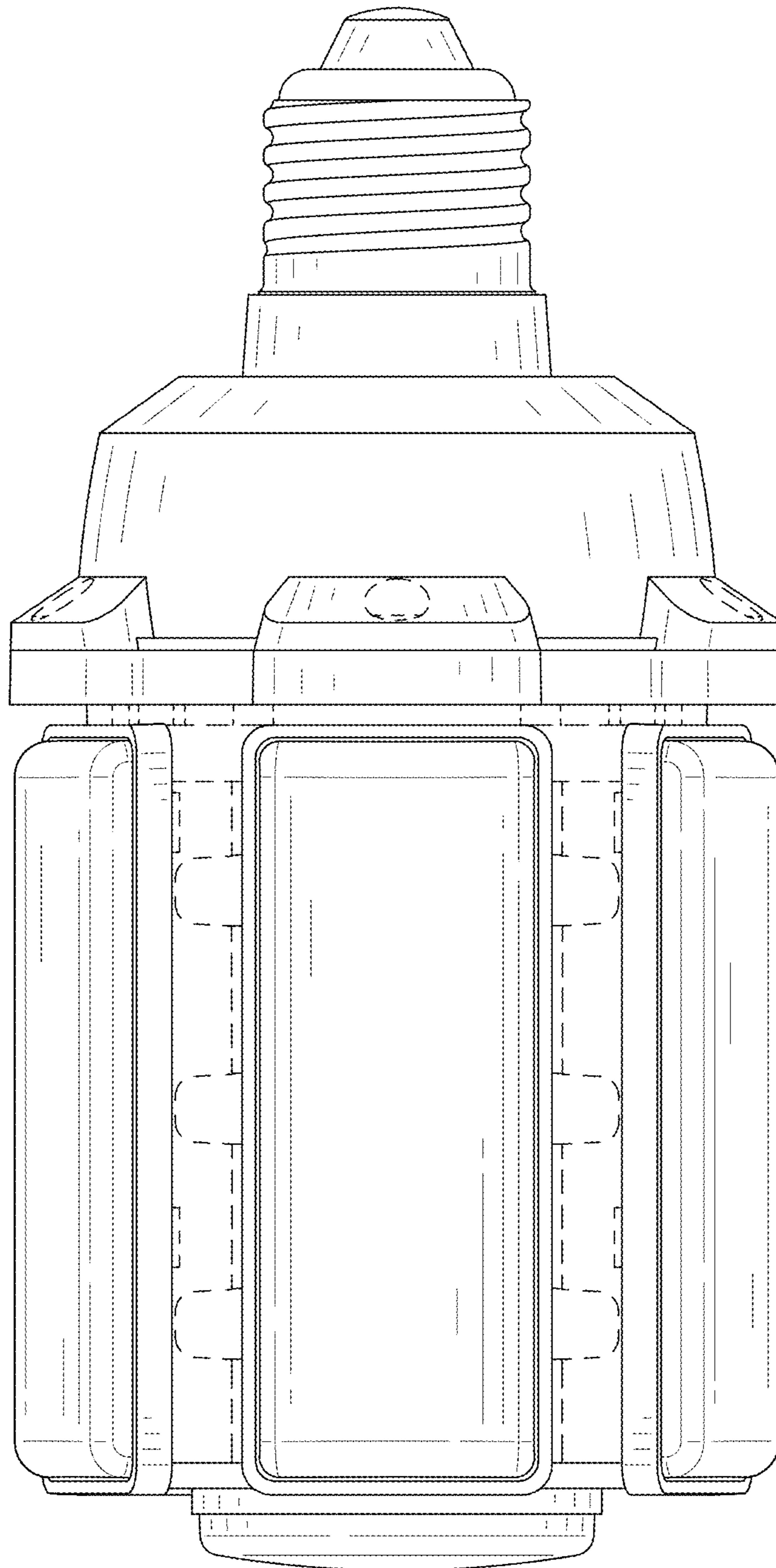


FIG. 11

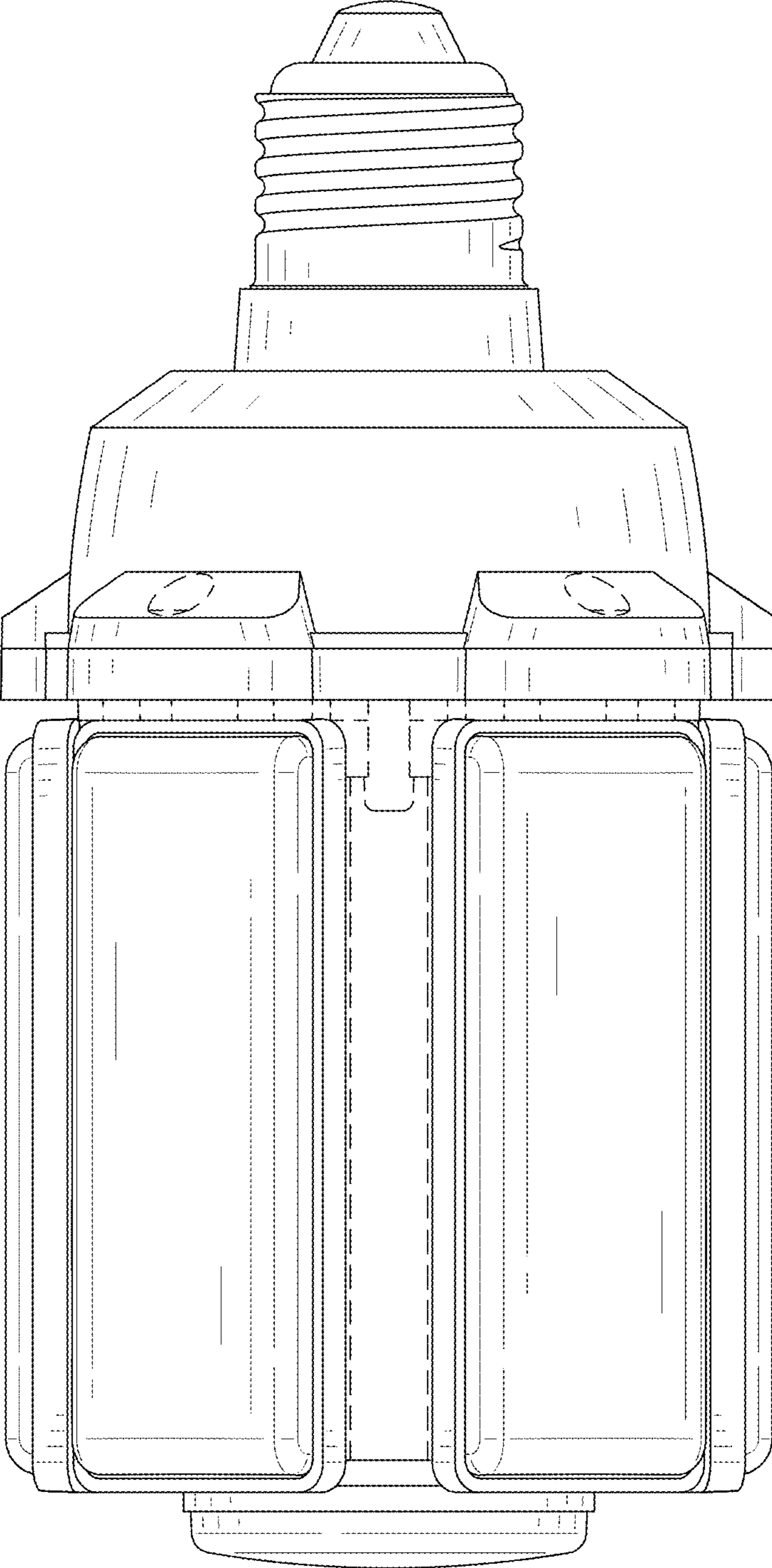


FIG. 12

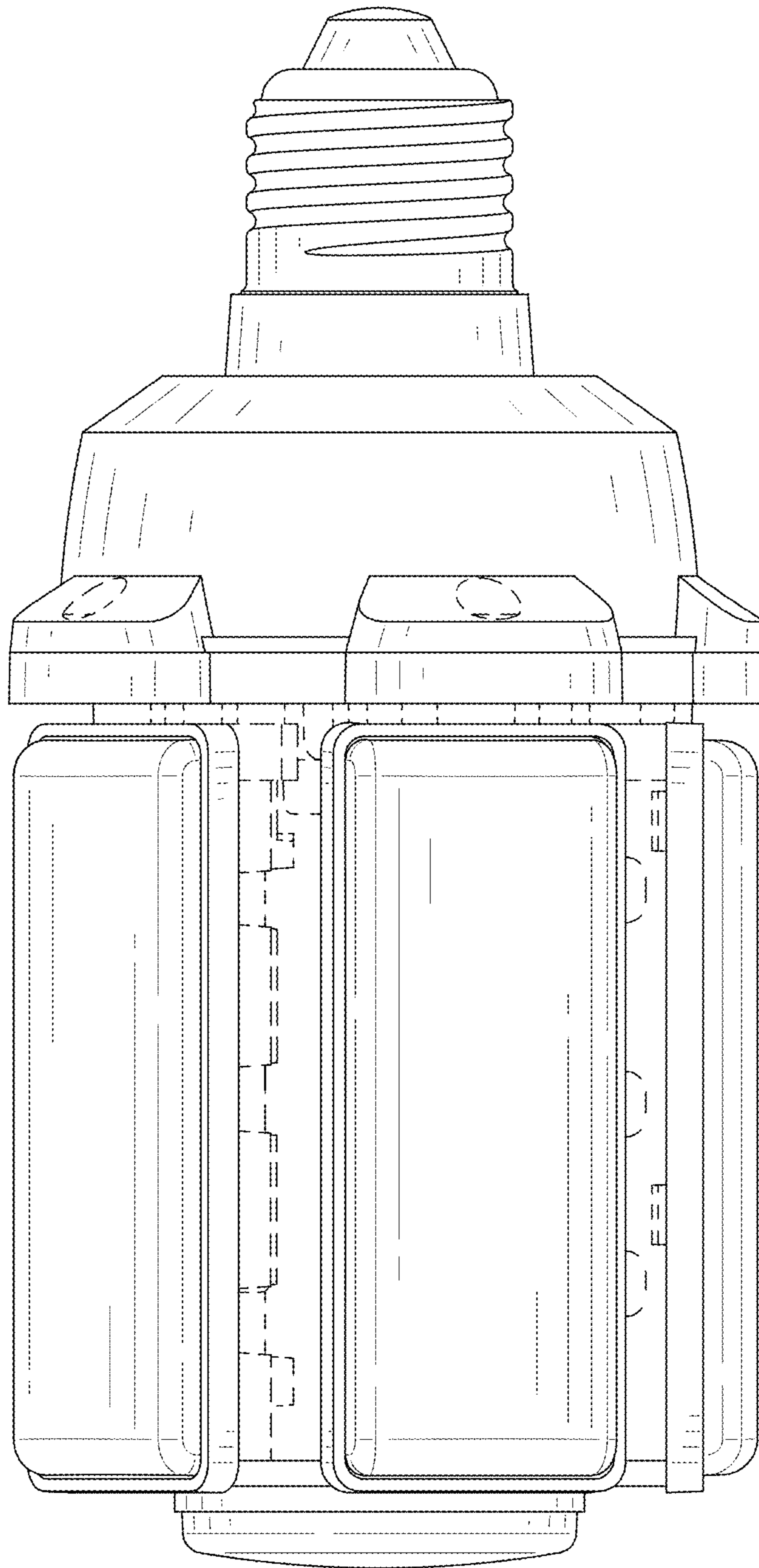


FIG. 13

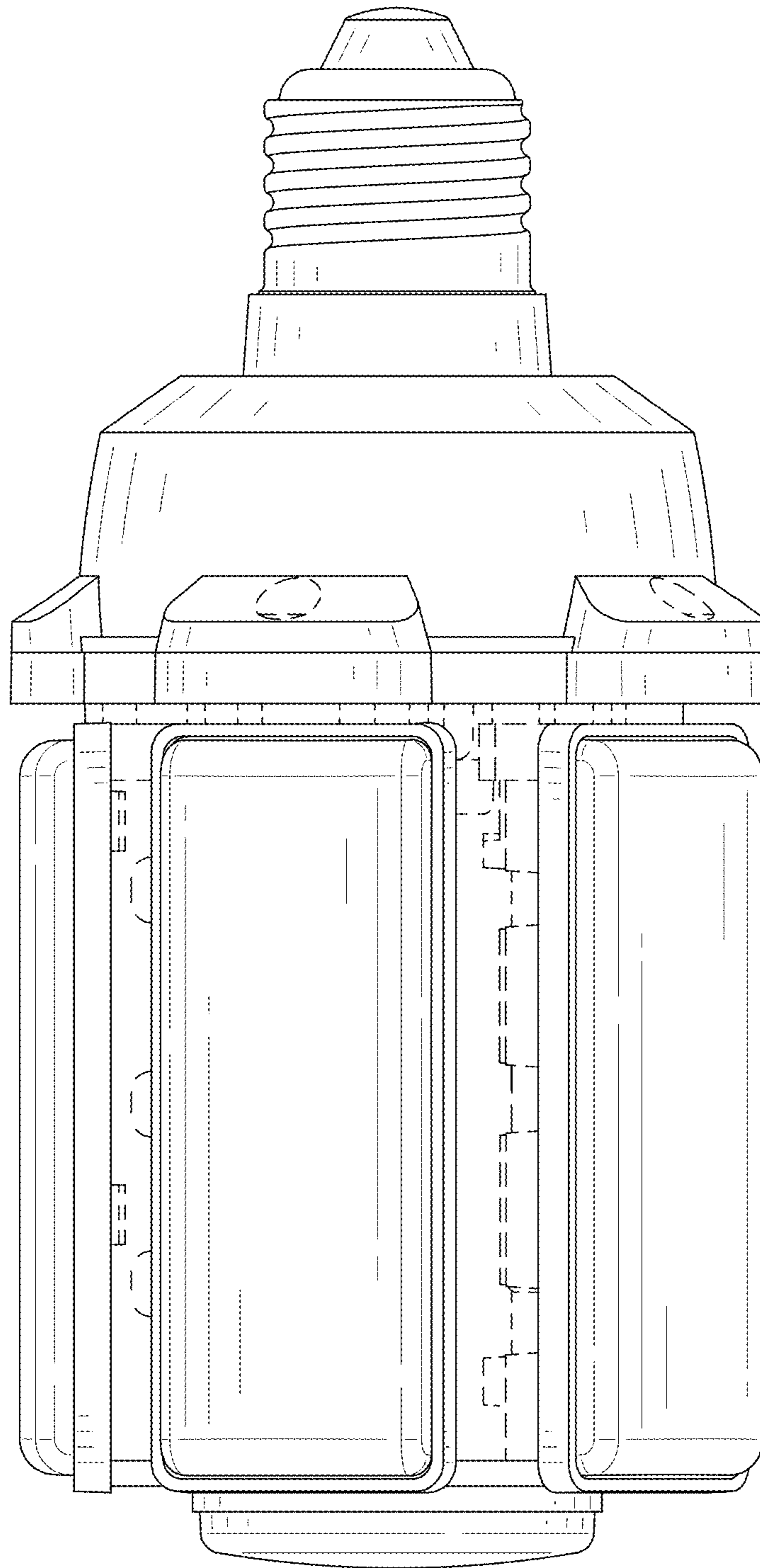


FIG. 14

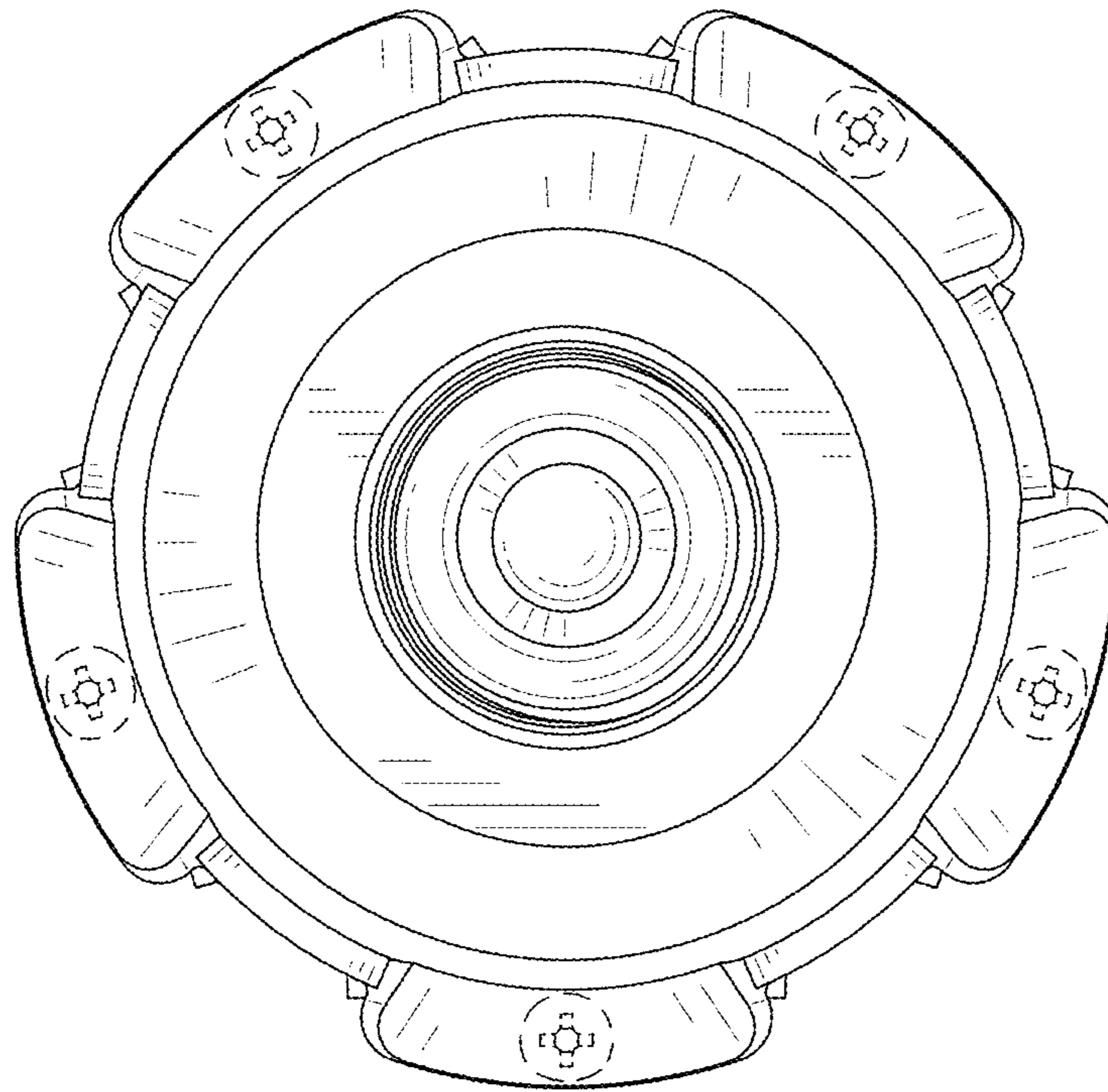


FIG. 15

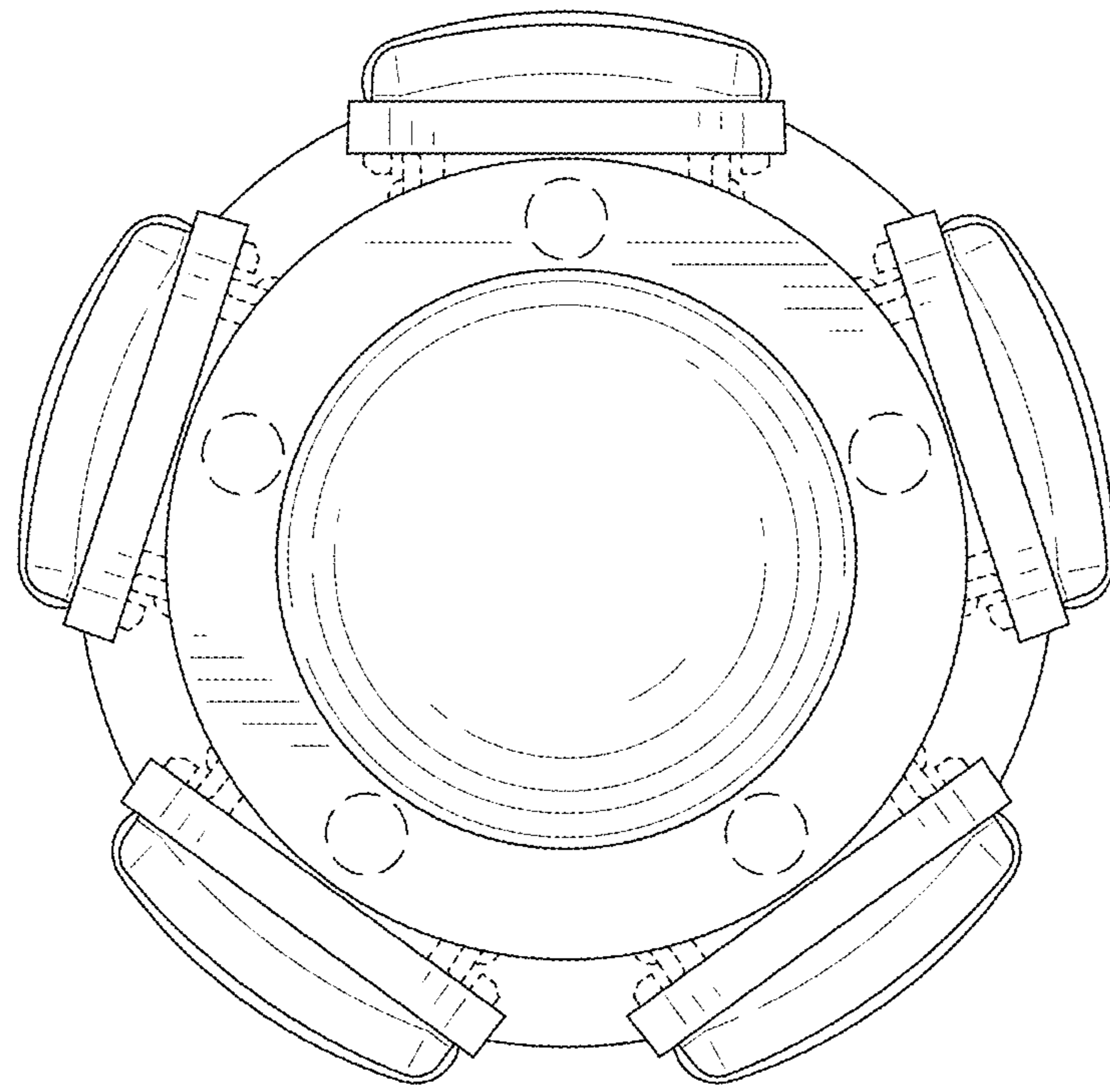


FIG. 16