

US00D899635S

(12) **United States Design Patent** (10) **Patent No.:** **US D899,635 S**
Folkersen (45) **Date of Patent:** **** Oct. 20, 2020**

(54) **RIDGE VENT METAL CAP**
(71) Applicant: **Roofers' Advantage Products LLC**, E. Wakefield, NH (US)
(72) Inventor: **Jonny E. Folkersen**, East Wakefield, NH (US)
(73) Assignee: **Roofers' Advantage Products, LLC**, E. Wakefield, NH (US)
(**) Term: **15 Years**
(21) Appl. No.: **29/683,773**
(22) Filed: **Mar. 15, 2019**
(51) **LOC (12) Cl.** **25-01**
(52) **U.S. Cl.**
USPC **D25/139**
(58) **Field of Classification Search**
USPC D25/139
CPC E04D 2001/305; E04D 2001/303; E04D 2001/309; E04D 2001/301; E04D 13/004; E04D 13/17
See application file for complete search history.

D342,326 S 12/1993 Hansson
5,328,406 A 7/1994 Morris, Jr.
5,337,526 A 8/1994 Hartman
D354,733 S 1/1995 Ingraham
5,522,189 A 6/1996 Mortensen
5,586,414 A 12/1996 Tawzer
D422,095 S * 3/2000 Thagard, III D25/139
6,035,587 A 3/2000 Dressler
6,186,605 B1 2/2001 Nelson
D438,650 S 3/2001 Neuhofer, Jr.
D452,918 S * 1/2002 Ohanesian D25/139
6,715,237 B2 4/2004 Batt, Sr.
6,780,099 B1 8/2004 Harper
6,848,220 B2 2/2005 Faurholdt
6,880,302 B1 4/2005 Fontaine
7,451,572 B1 11/2008 Inzeo
7,546,719 B1 6/2009 Guevara
7,941,989 B2 5/2011 Morsching
8,281,521 B1 10/2012 Rasmussen

(Continued)

Primary Examiner — Doris Clark
(74) *Attorney, Agent, or Firm* — Maine Cernota & Rardin

(57) **CLAIM**

The ornamental design for a ridge vent metal cap, as shown and described.

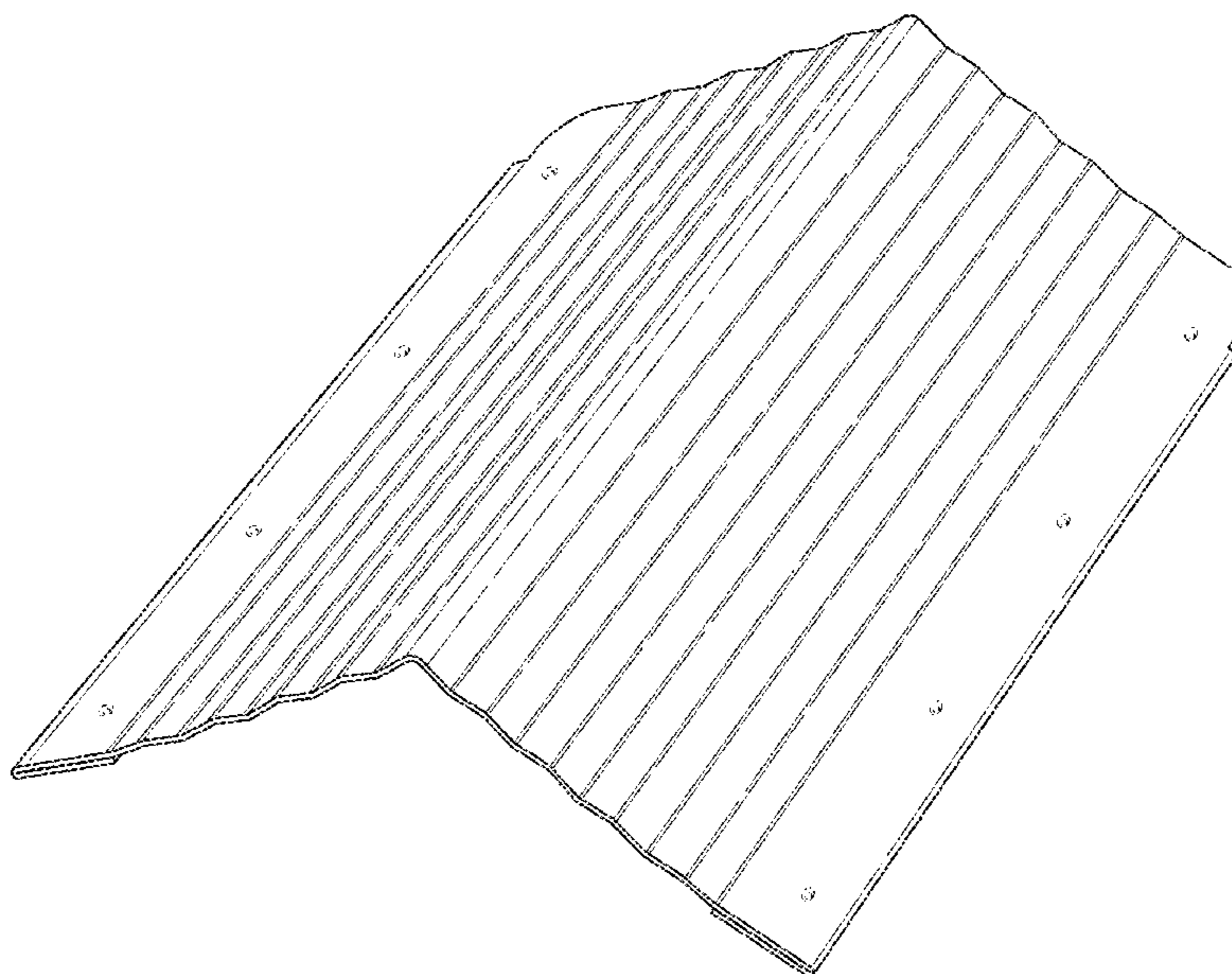
DESCRIPTION

FIG. 1 is a top, front-left, perspective view of a ridge vent metal cap, showing our new design;
FIG. 2 is a top, front-right, perspective view thereof;
FIG. 3 is a left-side elevation view thereof;
FIG. 4 is a right-side elevation view thereof;
FIG. 5 is a rear elevation view thereof;
FIG. 6 is a front elevation view thereof;
FIG. 7 is a top view thereof; and,
FIG. 8 is a bottom view thereof.
The broken lines shown on the drawings are for illustrative purposes only and form no part of the claimed design.

1 Claim, 7 Drawing Sheets

(56) **References Cited**
U.S. PATENT DOCUMENTS

1,685,525 A 9/1928 Dow
1,860,240 A 5/1932 Friedrich
3,243,926 A 4/1966 Keyt
3,415,020 A 12/1968 Windle
3,436,877 A 4/1969 Gunning
4,254,594 A 3/1981 Hammond
4,332,117 A 6/1982 Quinnell
4,594,820 A 6/1986 Render
4,665,667 A 5/1987 Taylor
4,780,997 A 11/1988 Taylor
4,780,999 A 11/1988 Webb
5,065,553 A 11/1991 Magid
5,109,641 A 5/1992 Halan



(56)

References Cited

U.S. PATENT DOCUMENTS

8,316,587	B2	11/2012	Shugart	
8,739,470	B1	6/2014	Wayne	
8,869,466	B2	10/2014	Garcia	
9,200,450	B2 *	12/2015	Thagard, III B29C 44/02
9,394,693	B2 *	7/2016	Daniels H02S 20/25
9,650,787	B2 *	5/2017	Montejo E04D 1/30
10,000,930	B2 *	6/2018	Lowe F24F 7/02
10,036,166	B1 *	7/2018	Heo E04D 13/004
10,125,497	B2	11/2018	Givens	
D844,182	S	3/2019	Folkersen	
2002/0178671	A1	12/2002	Gembala	
2004/0016201	A1	1/2004	Folkersen	
2004/0103592	A1	6/2004	Edvardsen	
2005/0005551	A1	1/2005	Graham	
2005/0086873	A1	4/2005	Mares	
2006/0016130	A1	1/2006	Lin	
2006/0254169	A1	11/2006	McFadden	
2007/0074466	A1	4/2007	Rasmussen	
2007/0266657	A1	11/2007	Gembala	
2008/0005975	A1	1/2008	Thompson	
2010/0300011	A1	12/2010	Crego	
2011/0049118	A1	3/2011	Nark	
2012/0102849	A1	5/2012	Shugart	
2017/0266741	A1	9/2017	Givens	
2018/0066436	A1	3/2018	Stiglmayr	
2018/0223537	A1	8/2018	Bredeweg	
2018/0347197	A1	12/2018	Folkersen	
2019/0284810	A1	9/2019	Folkersen	
2019/0284814	A1	9/2019	Folkersen	

* cited by examiner

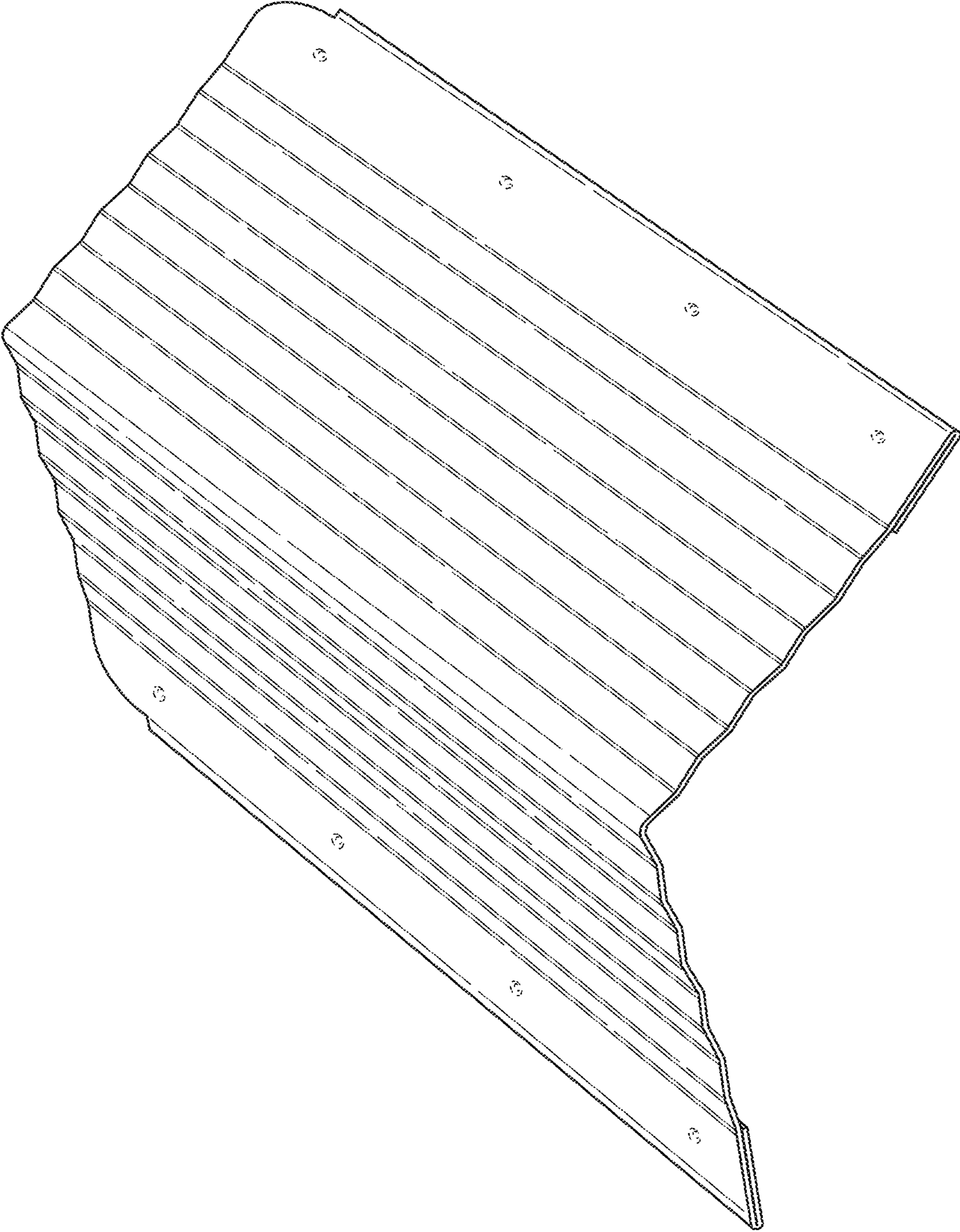


FIG. 1

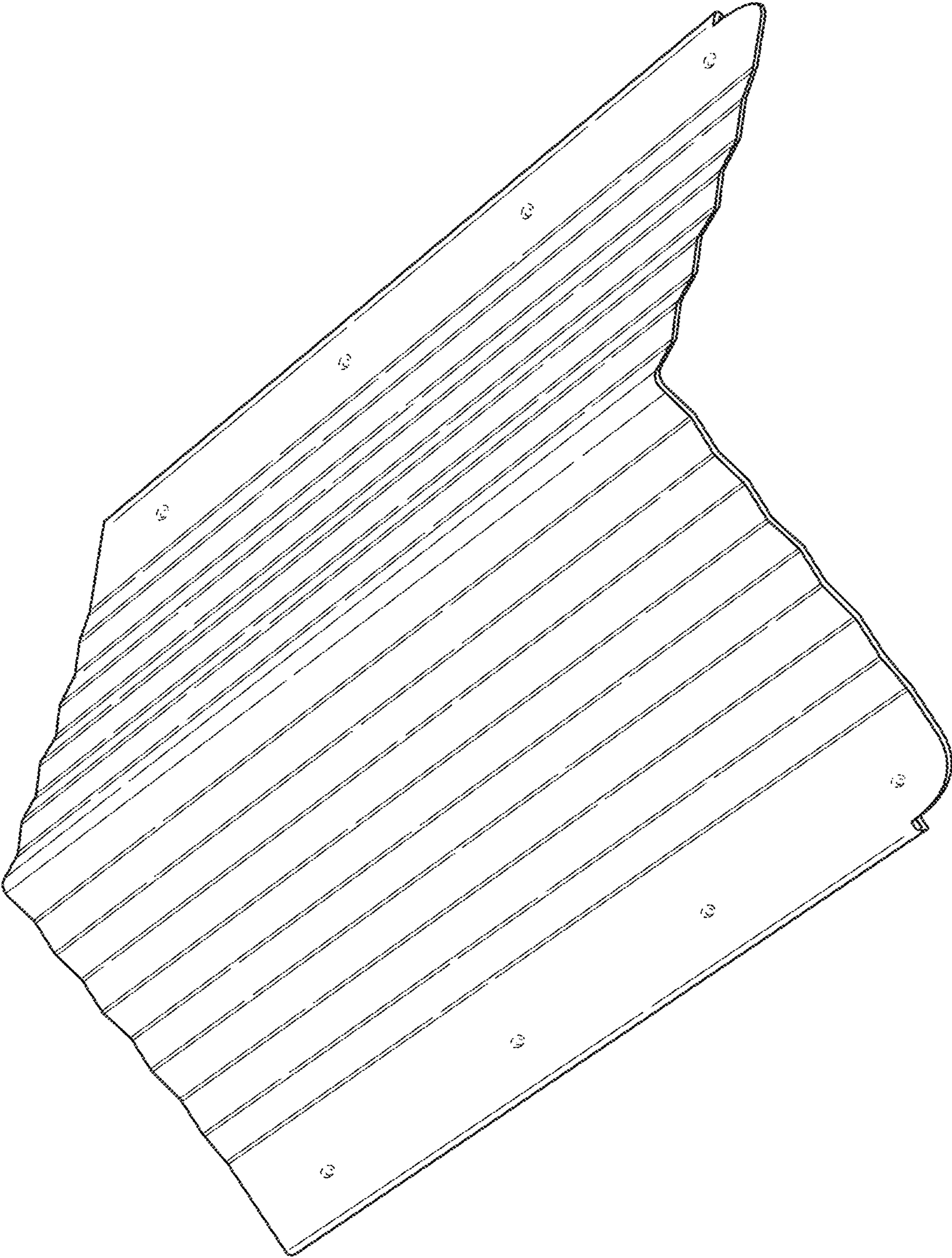


FIG. 2



FIG. 3



FIG. 4

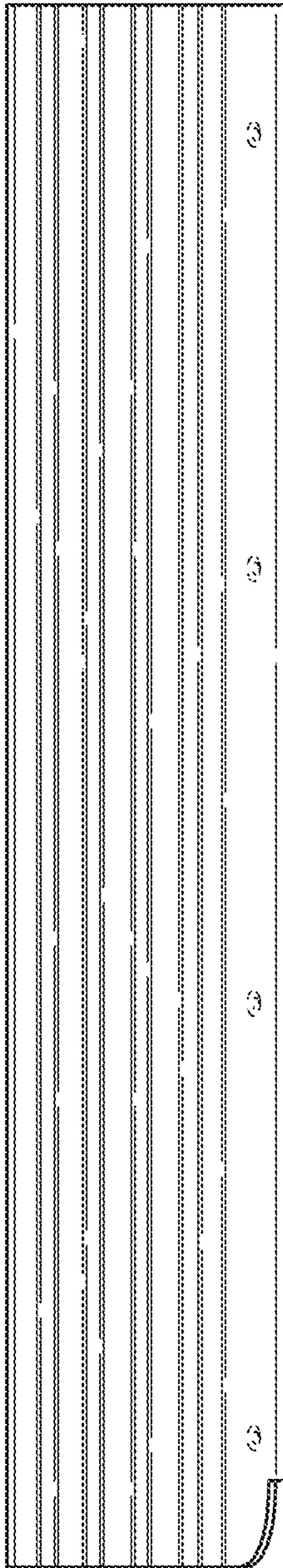


FIG. 5

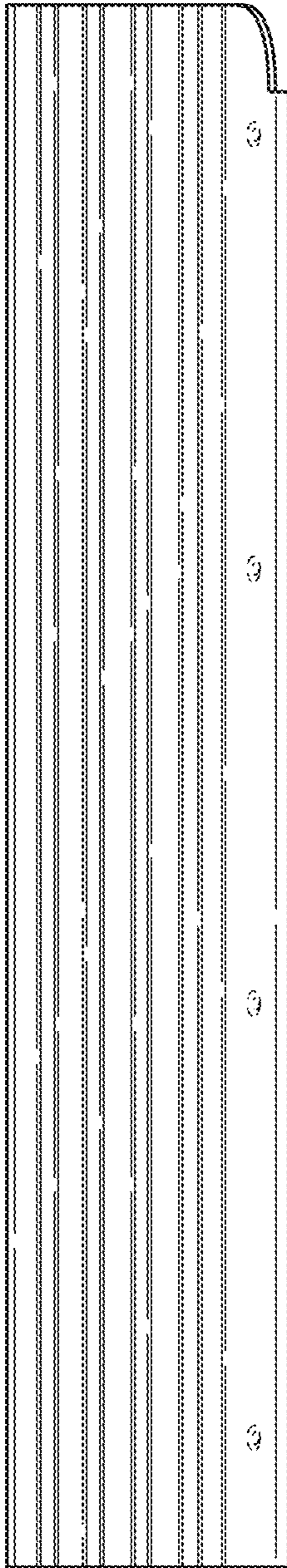


FIG. 6

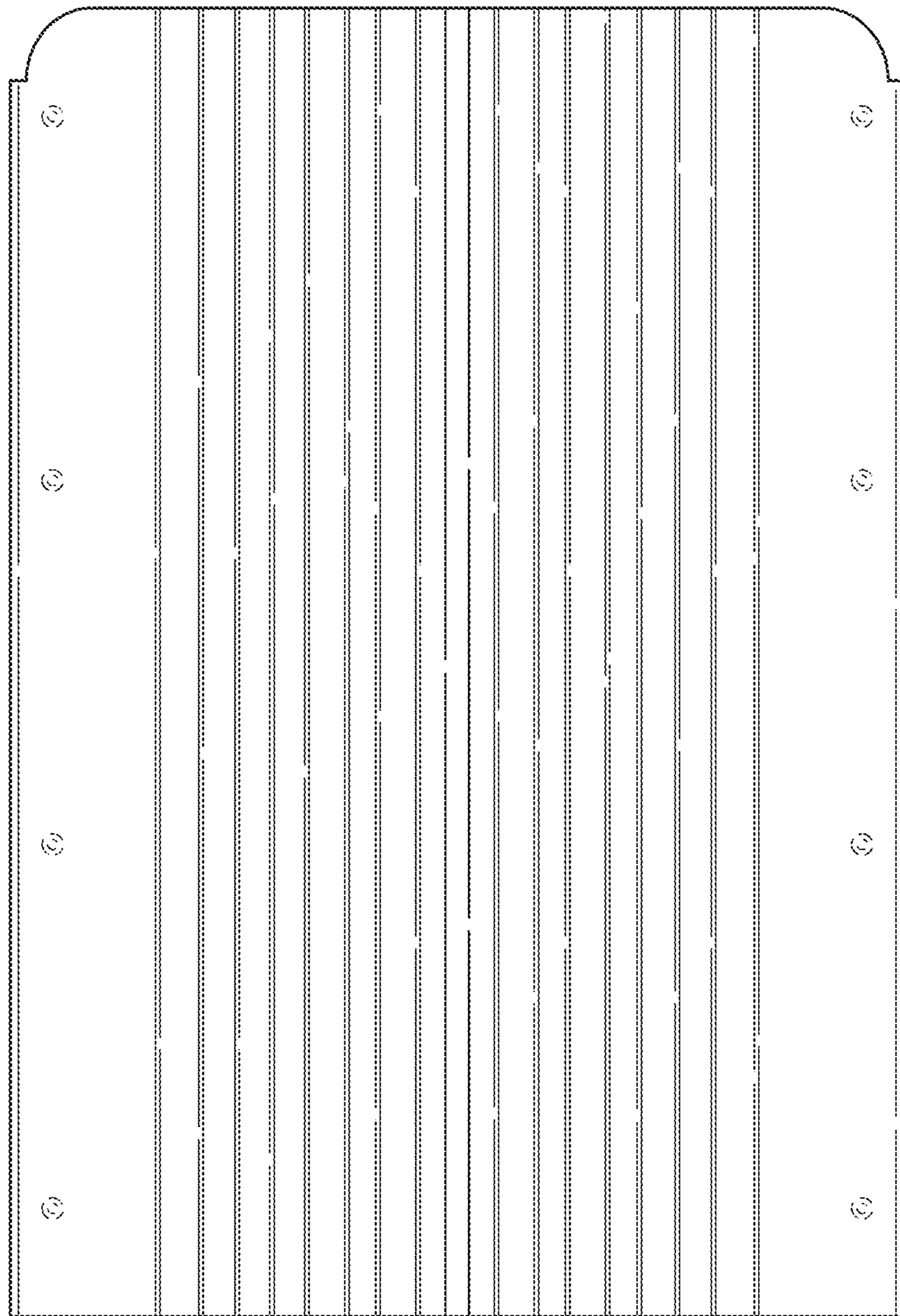


FIG. 7

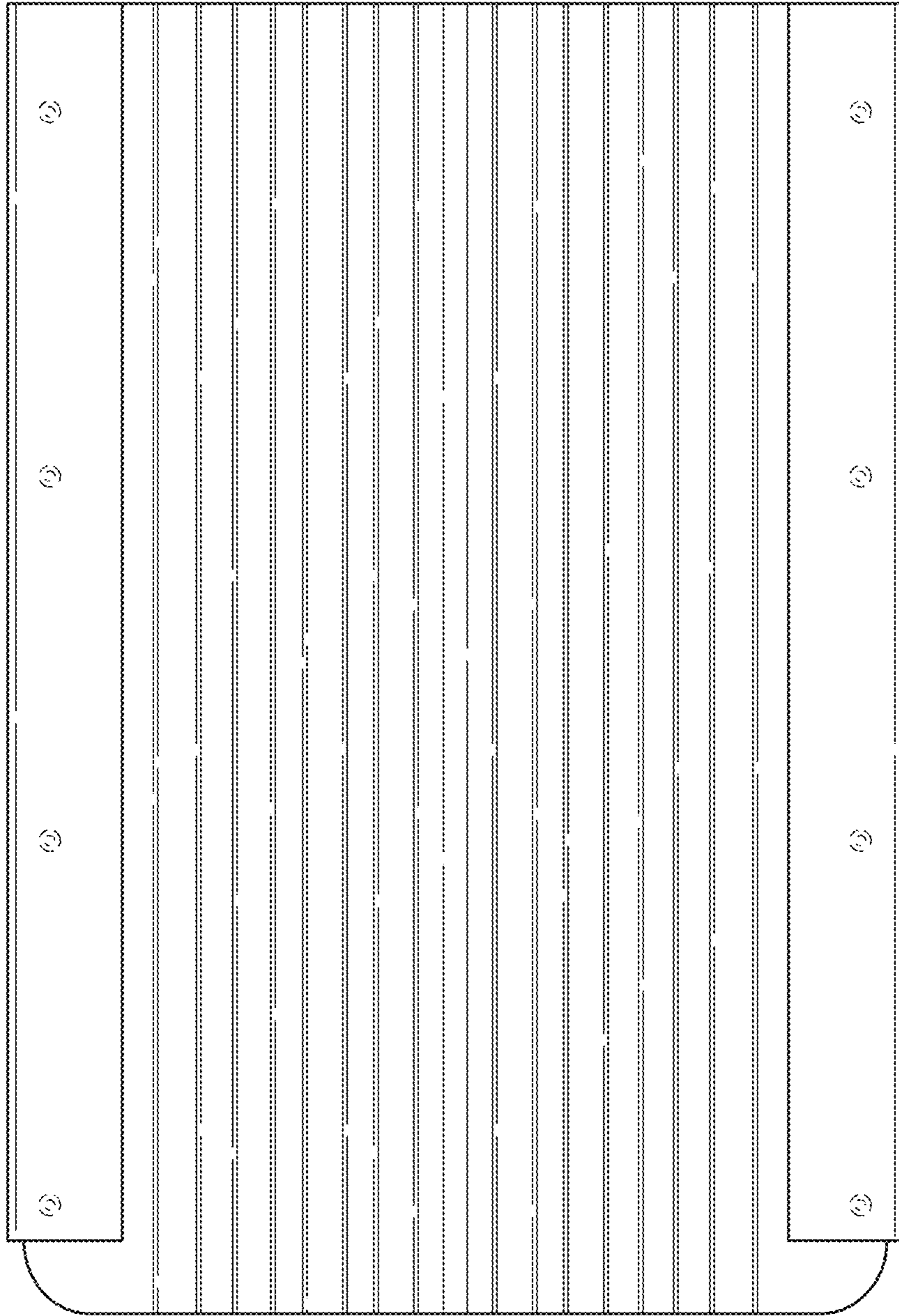


FIG. 8